



US00D784878S

(12) **United States Design Patent**
Thomson

(10) **Patent No.:** **US D784,878 S**
(45) **Date of Patent:** **** Apr. 25, 2017**

- (54) **MOTORCYCLE WINDSCREEN WITH ADJUSTABLE SIDE WINGS**
- (71) Applicant: **Stan C. Thomson**, Boardman, OH (US)
- (72) Inventor: **Stan C. Thomson**, Boardman, OH (US)
- (**) Term: **14 Years**
- (21) Appl. No.: **29/518,311**
- (22) Filed: **Feb. 23, 2015**
- (51) **LOC (10) Cl.** **12-08**
- (52) **U.S. Cl.**
USPC **D12/182**
- (58) **Field of Classification Search**
USPC D12/182, 183, 317
CPC B32B 3/00
See application file for complete search history.

| | | | | | |
|-----------|------|---------|---------|-------|------------|
| 7,828,359 | B2 * | 11/2010 | Caprio | | B60J 1/06 |
| | | | | | 296/78.1 |
| D632,235 | S * | 2/2011 | Klock | | D12/182 |
| D633,017 | S * | 2/2011 | Klock | | D12/182 |
| D633,018 | S * | 2/2011 | Klock | | D12/182 |
| 7,946,642 | B1 * | 5/2011 | Wu | | B62J 17/04 |
| | | | | | 296/78.1 |
| 8,011,716 | B2 * | 9/2011 | Willey | | B62J 17/04 |
| | | | | | 296/78.1 |
| 8,720,967 | B2 | 5/2014 | Willey | | |
| D744,394 | S * | 12/2015 | Anaya | | D12/182 |
| 9,387,899 | B1 * | 7/2016 | Mueller | | B62J 17/04 |
| 9,415,664 | B2 * | 8/2016 | Hoshi | | B60J 1/04 |

* cited by examiner

Primary Examiner — Katrina A Betton
(74) *Attorney, Agent, or Firm* — Robert G. Lev

(57) **CLAIM**

An ornamental design for a motorcycle windscreen with adjustable side wings, as shown and described.

DESCRIPTION

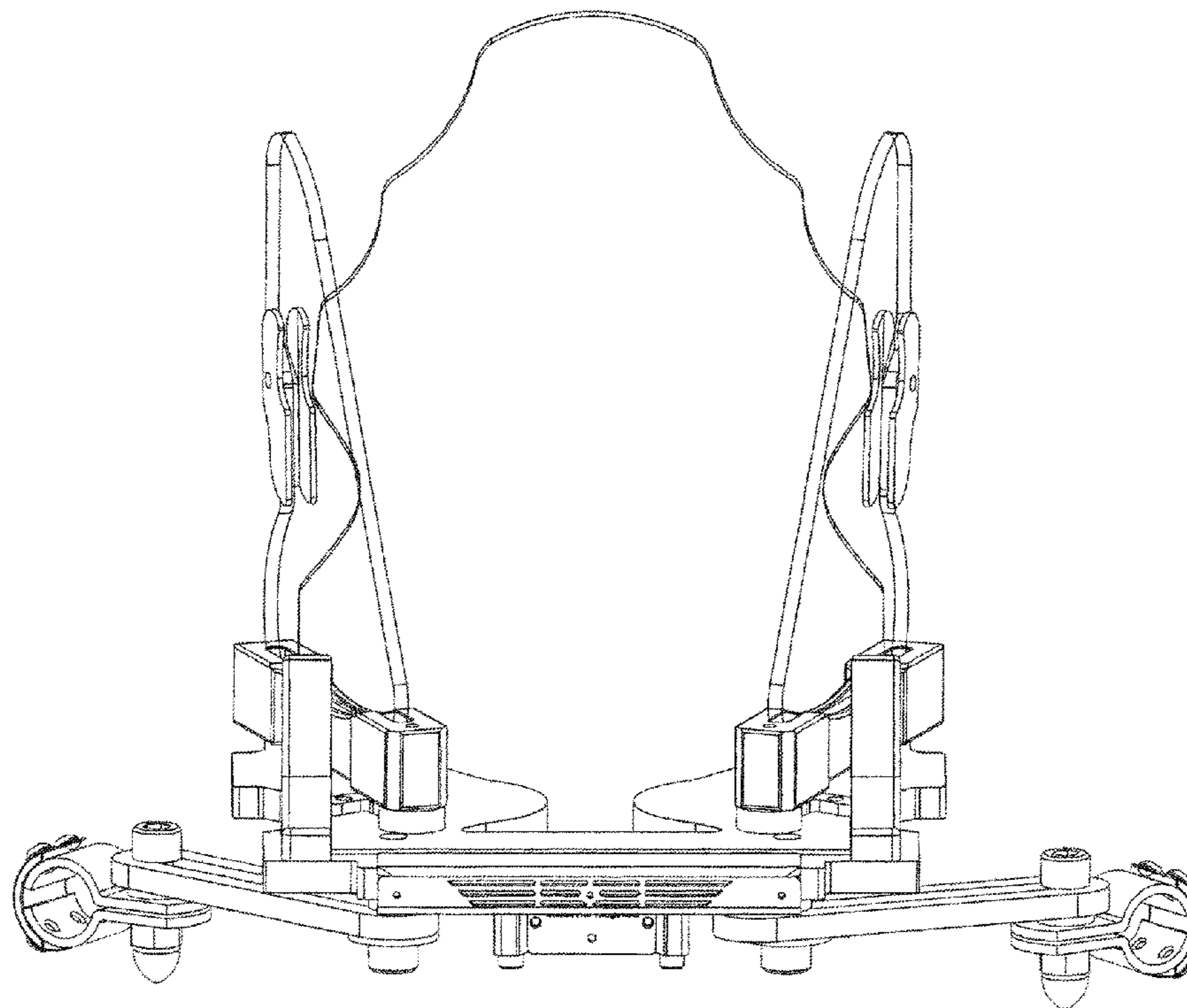
FIG. 1 is a top view of the inventive motorcycle windscreen with adjustable side wings with the wings extended midway; FIG. 2 is a bottom view with the wings extended midway; FIG. 3 is a front view with the wings extended midway; FIG. 4 is a rear view with the wings extended midway; FIG. 5 is a left side view with the wings extended midway; and, FIG. 6 is a right side view with the wings extended midway.

1 Claim, 6 Drawing Sheets

(56) **References Cited**

U.S. PATENT DOCUMENTS

| | | | | |
|-----------|-----|---------|---------------|---------------|
| 4,082,345 | A | 4/1978 | Willey | |
| 4,089,556 | A | 5/1978 | Stobar | |
| 4,379,584 | A | 4/1983 | Willey | |
| D337,297 | S * | 7/1993 | Johnson | D12/183 |
| 6,176,538 | B1 | 1/2001 | Lawson et al. | |
| 6,293,606 | B1 | 9/2001 | Jarosz et al. | |
| 6,505,877 | B1 | 1/2003 | Devlin et al. | |
| 6,789,835 | B2 | 9/2004 | Wargin et al. | |
| 7,134,705 | B2 | 11/2006 | Larson | |
| 7,281,750 | B1 | 10/2007 | Wise | |
| D626,046 | S * | 10/2010 | Klock | D12/182 |



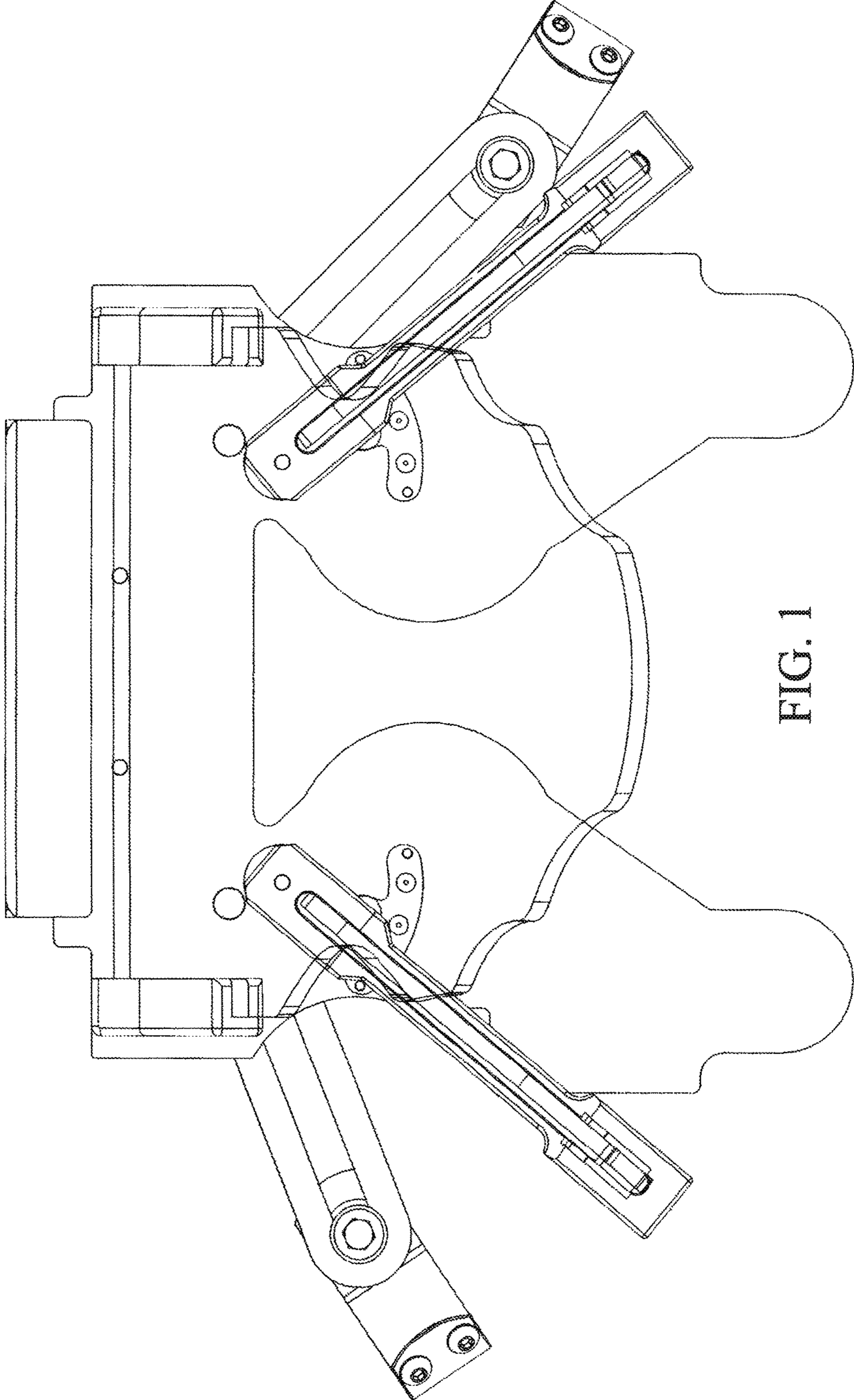


FIG. 1

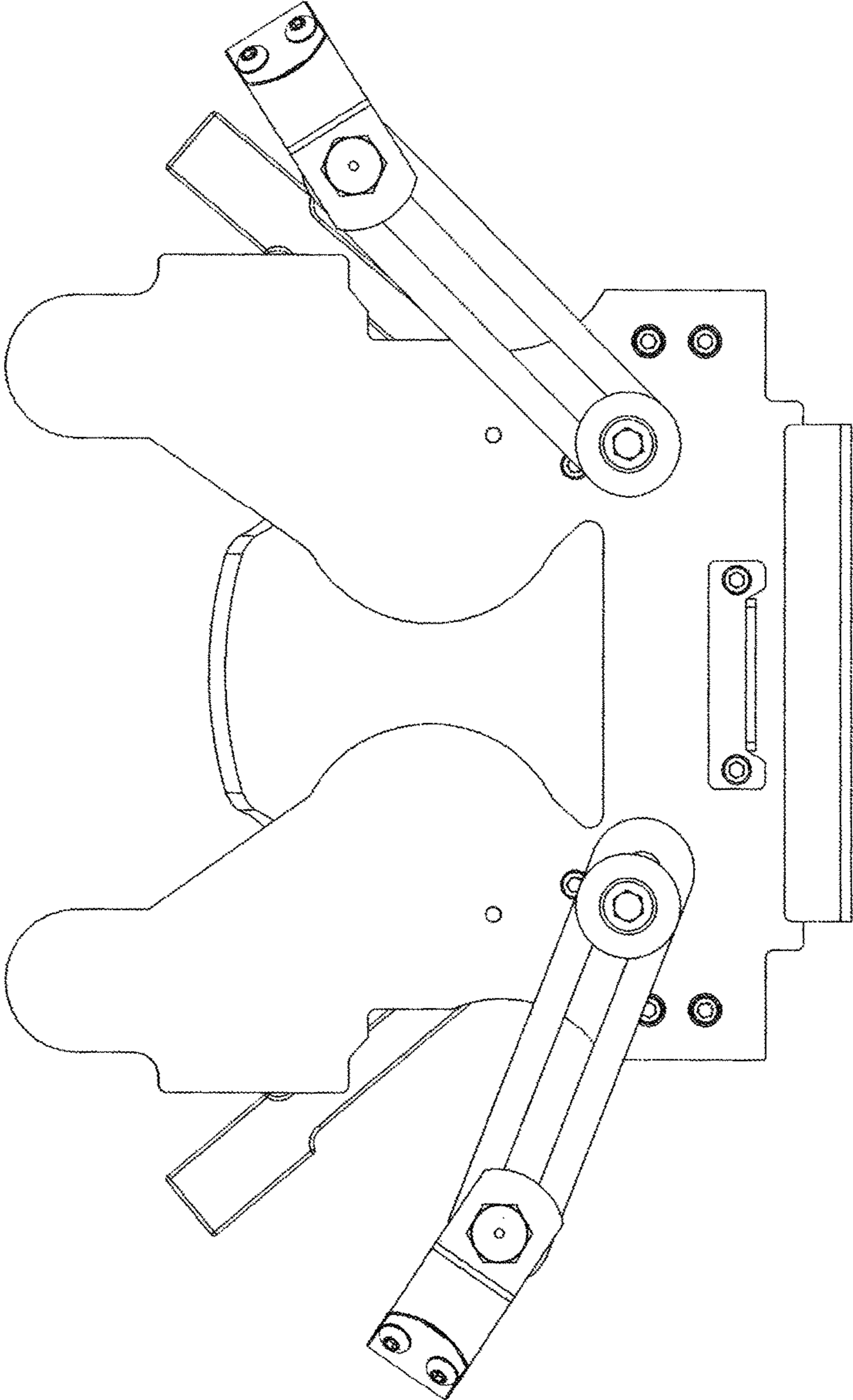


FIG. 2

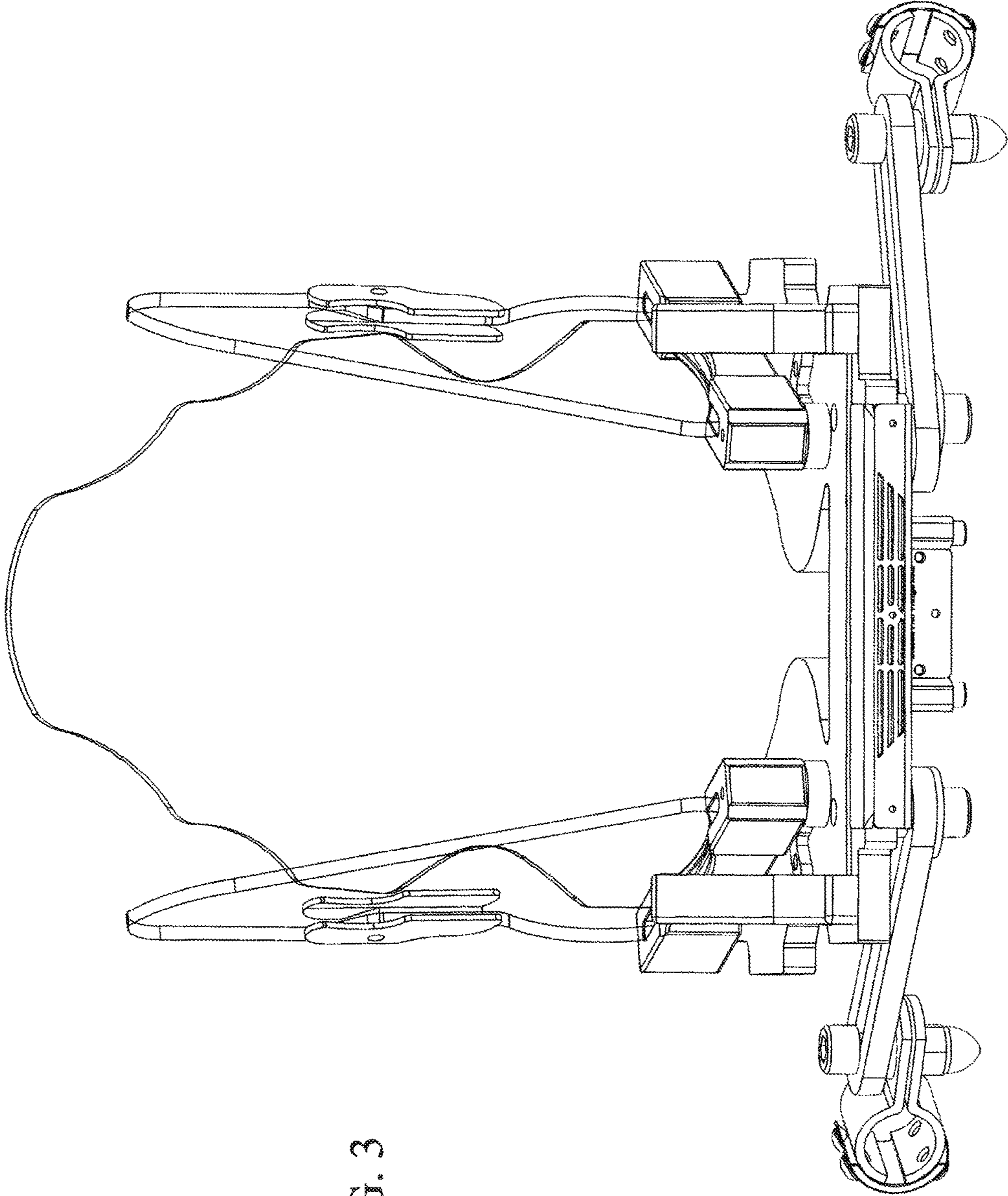


FIG. 3

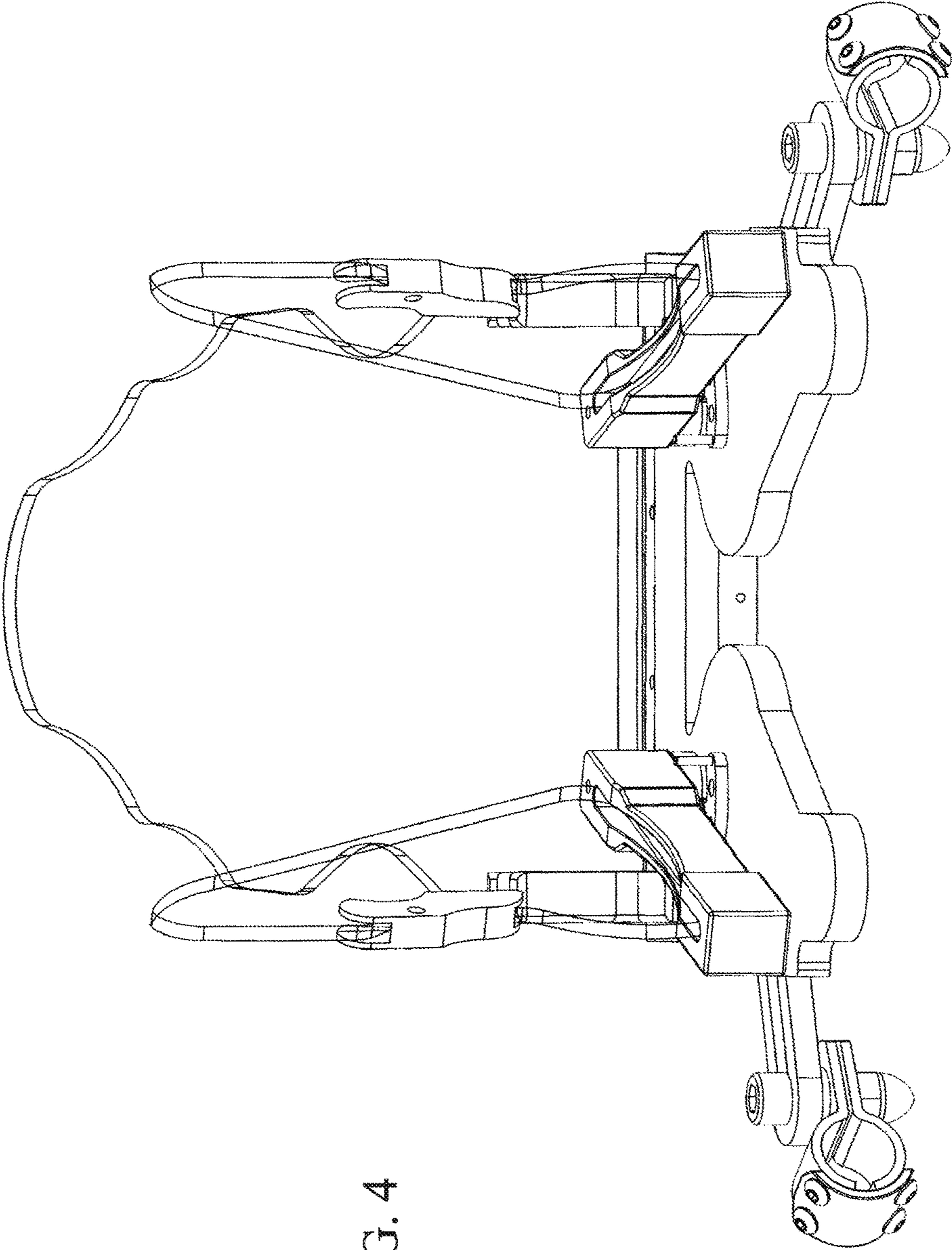


FIG. 4

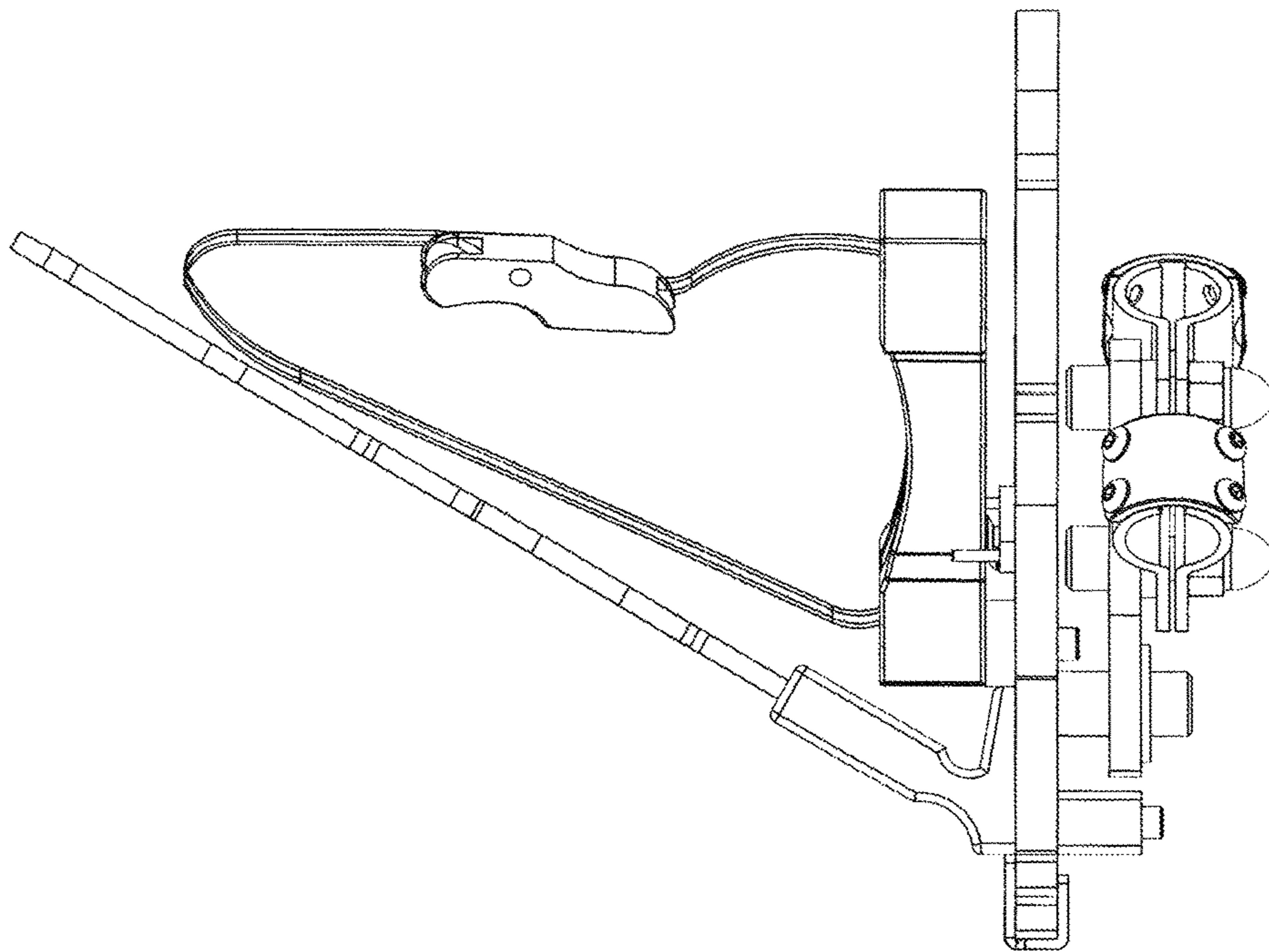


FIG. 5

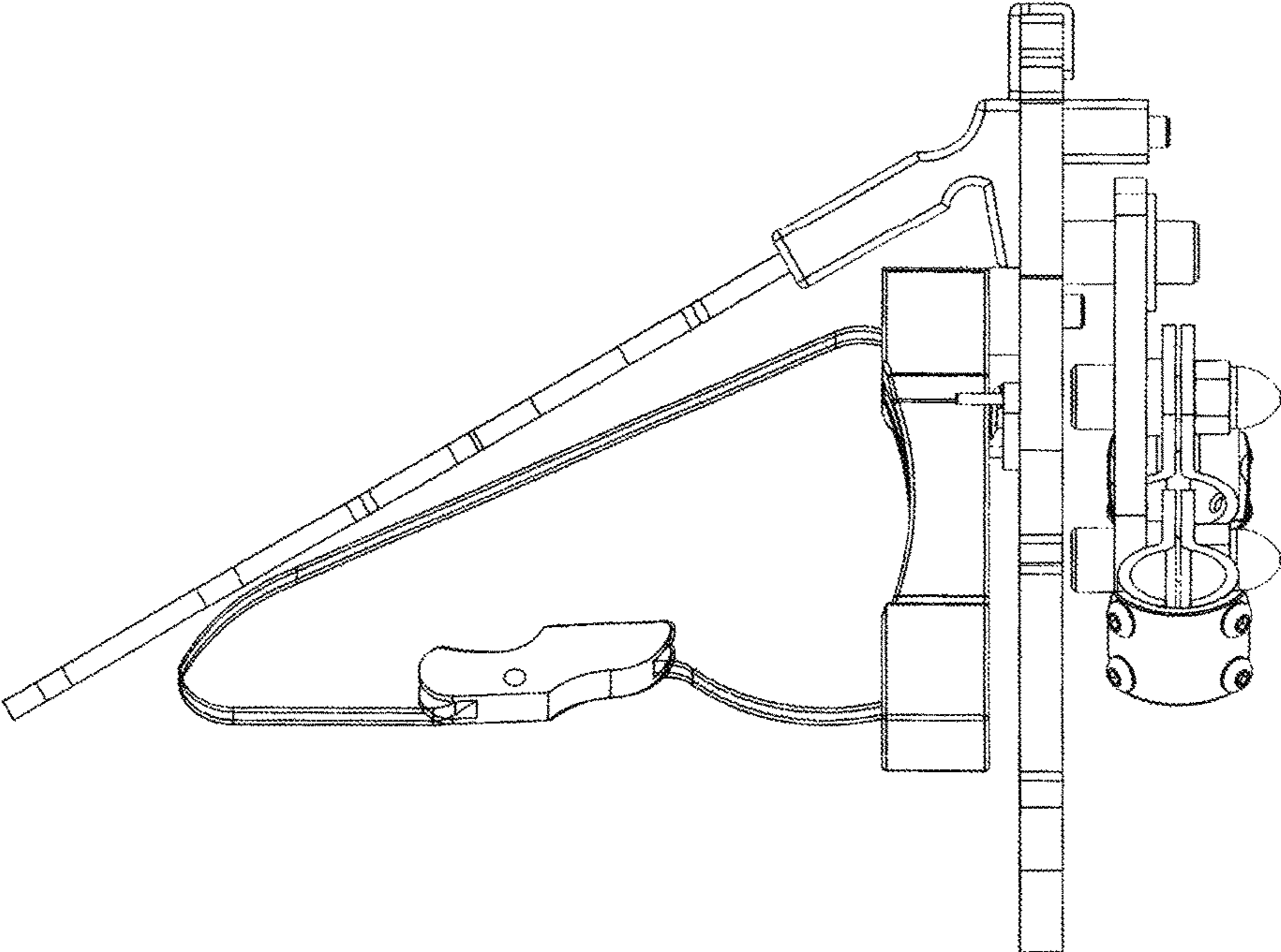


FIG. 6