



US00D784872S

(12) **United States Design Patent** (10) **Patent No.:** **US D784,872 S**  
**Kanatani et al.** (45) **Date of Patent:** **\*\* Apr. 25, 2017**

(54) **COMBINATION SWITCH FOR A MOTOR VEHICLE**

D294,244 S \* 2/1988 Lane, Jr. .... D12/174  
D413,091 S \* 8/1999 DuRocher ..... D12/174  
D731,372 S \* 6/2015 Young ..... D12/177  
2002/0153233 A1\* 10/2002 Karasik ..... B60Q 1/1476  
200/61.54

(71) Applicants: **Jun Kanatani**, Komaki (JP); **Kiminori Kanda**, Toyota (JP)

(72) Inventors: **Jun Kanatani**, Komaki (JP); **Kiminori Kanda**, Toyota (JP)

(73) Assignee: **Toyota Jidosha Kabushiki Kaisha**, Toyota-shi, Aichi-ken (JP)

(\*\*) Term: **15 Years**

(21) Appl. No.: **29/561,437**

(22) Filed: **Apr. 15, 2016**

(30) **Foreign Application Priority Data**

Oct. 16, 2015 (JP) ..... 2015-022912

(51) **LOC (10) Cl.** ..... **12-16**

(52) **U.S. Cl.**  
USPC ..... **D12/177**

(58) **Field of Classification Search**  
USPC ..... D12/177, 179, 415, 419, 412, 155;  
D13/158, 169, 173; 200/61.54, 61.27;  
74/484 R, 473.12, 473.18, 473.23, 473.33,  
74/489, 514, 523; 180/78, 333, 315;  
403/356

CPC ..... B60Q 1/1476; B60Q 1/1469; B60Q 1/14  
See application file for complete search history.

(56) **References Cited**

**U.S. PATENT DOCUMENTS**

D256,575 S \* 8/1980 Moore ..... D12/174  
D275,943 S \* 10/1984 Hickman ..... D12/174  
D276,421 S \* 11/1984 Shaw ..... D12/174  
4,513,632 A \* 4/1985 Swoveland ..... B60Q 1/1476  
200/61.54  
D294,243 S \* 2/1988 Lane, Jr. .... D12/174

**OTHER PUBLICATIONS**

Netcarshow.com, URL: [http://www.netcarshow.com/land\\_rover/2015-discovery\\_sport/1600x1200/wallpaper\\_74.htm](http://www.netcarshow.com/land_rover/2015-discovery_sport/1600x1200/wallpaper_74.htm); Model: Land rover Discovery Sport (2015); Mfg.: Land rover; available on at least Jun. 1, 2015.

kotbayashiganka.co.jp, URL: <http://www.kobayashiganka.co.jp/gt3/?p=6054>; Model: Porsche Cayenne GTS; Mfg.: Porsche; available on at least Jun. 1, 2015.

\* cited by examiner

*Primary Examiner* — Cynthia Ramirez

*Assistant Examiner* — Andrew Kerr

(74) *Attorney, Agent, or Firm* — Finnegan, Henderson, Farabow, Garrett & Dunner, L.L.P.

(57) **CLAIM**

The ornamental design for a combination switch for a motor vehicle, as shown and described.

**DESCRIPTION**

FIG. 1 is a front perspective view of a combination switch for a motor vehicle, showing our new design;

FIG. 2 is a front view thereof;

FIG. 3 is a rear view thereof;

FIG. 4 is a right side view thereof;

FIG. 5 is a left side view thereof;

FIG. 6 is a top view thereof; and,

FIG. 7 is a bottom view thereof.

The lightened portions of the combination switch for a motor vehicle shown in FIGS. 1, 3, 4, and 7 are not part of the claimed design.

**1 Claim, 7 Drawing Sheets**





**FIG. 1**

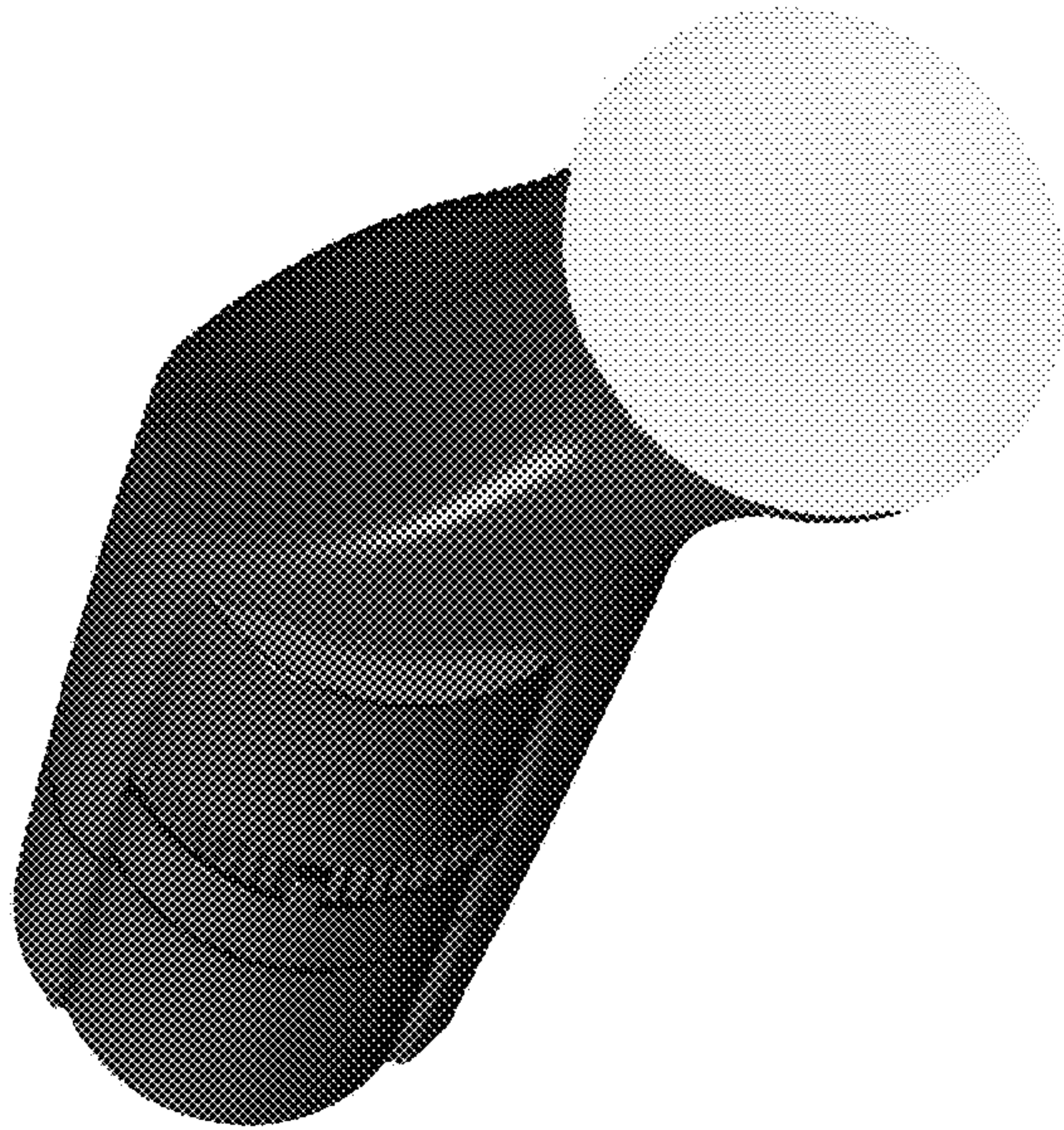




**FIG. 2**



**FIG. 3**

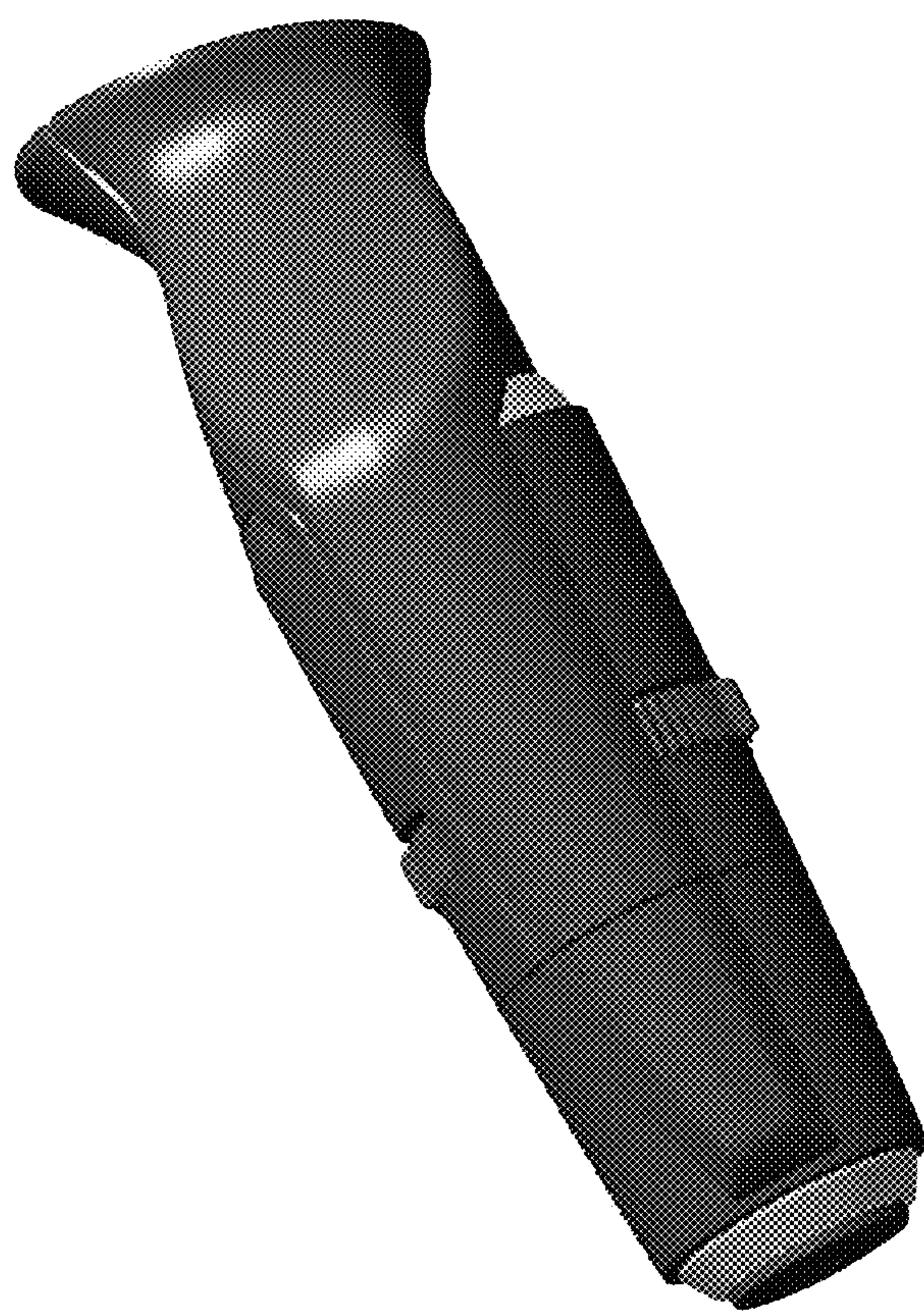


**FIG. 4**





**FIG. 5**



**FIG. 6**



**FIG. 7**