



US00D784870S

(12) **United States Design Patent** (10) **Patent No.:** **US D784,870 S**
Ito et al. (45) **Date of Patent:** **** Apr. 25, 2017**

(54) **HOOD OF A TRUCK VEHICLE**
(71) Applicant: **International Truck Intellectual Property Company, LLC**, Lisle, IL (US)
(72) Inventors: **Chris Ito**, Sugar Grove, IL (US); **Glen Joel Durmisevich**, Rochester Hills, MI (US); **Christian Michael Hardin**, Waterford, MI (US)
(73) Assignee: **International Truck Intellectual Property Company, LLC**, Lisle, IL (US)
(**) Term: **15 Years**
(21) Appl. No.: **29/543,947**
(22) Filed: **Oct. 29, 2015**
(51) **LOC (10) Cl.** **12-16**
(52) **U.S. Cl.**
USPC **D12/173**
(58) **Field of Classification Search**
USPC D12/173, 196, 86, 90-92, 181;
180/69.21, 69.2, 69.22; 296/190.1-190.5,
296/190.8, 193.11, 37.6
CPC B62D 25/10; B62D 25/06; B62D 65/02;
B62D 25/12; B60Q 1/00
See application file for complete search history.

D401,198 S 11/1998 Mueller et al.
D403,637 S 1/1999 Abalos et al.
D426,800 S 6/2000 Zimmerman
D437,574 S 2/2001 Beigel
D445,384 S 7/2001 Tirey et al.
D458,197 S 6/2002 Maher et al.
D466,450 S 12/2002 Maher et al.
D523,793 S 6/2006 Beigel et al.
D536,287 S 2/2007 Beigel et al.
D557,186 S 12/2007 Beigel et al.
D564,427 S 3/2008 Beigel et al.
D645,801 S 9/2011 Beigel et al.
D708,553 S * 7/2014 Conway D12/96
D708,985 S * 7/2014 Peltola D12/96
D708,986 S * 7/2014 Conway D12/96
D709,002 S 7/2014 Ito et al.
D709,406 S * 7/2014 Conway D12/96
D709,407 S * 7/2014 Conway D12/96
D709,408 S * 7/2014 Peltola D12/96
D711,788 S * 8/2014 Brzustowicz D12/96
D738,273 S * 9/2015 Hanson D12/173
D738,274 S * 9/2015 Hanson D12/173
D743,308 S * 11/2015 Hanson D12/173

* cited by examiner

Primary Examiner — Melody Brown
(74) *Attorney, Agent, or Firm* — Jeffrey P. Calfa; Mark C. Bach

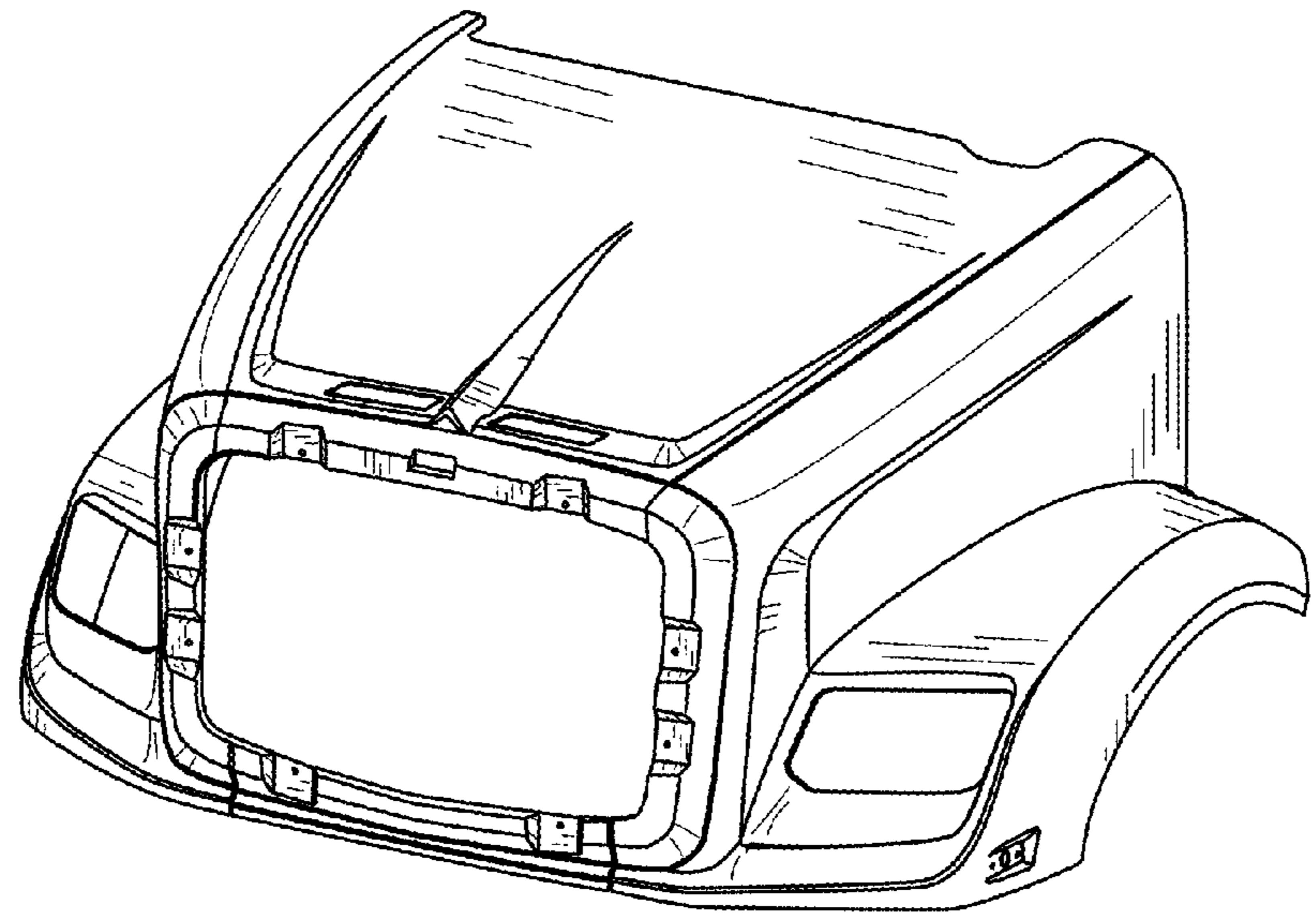
(57) **CLAIM**
The ornamental designs for a hood for a truck vehicle, as shown and described.

DESCRIPTION

FIG. 1 is a perspective view of a hood for a truck vehicle showing our new design;
FIG. 2 is a top plan view thereof;
FIG. 3 is a left side elevational view thereof;
FIG. 4 is a right side elevational view thereof;
FIG. 5 is a front elevational view thereof, and,
FIG. 6 is a rear elevational view.

1 Claim, 3 Drawing Sheets

(56) **References Cited**
U.S. PATENT DOCUMENTS
D306,421 S 3/1990 Allendorph et al.
D306,714 S 3/1990 Allendorph
D307,126 S 4/1990 Allendorph et al.
D328,273 S 7/1992 McGrew, Jr. et al.
D335,272 S 5/1993 Allendorph et al.
D391,908 S 3/1998 Allendorph et al.
D394,624 S 5/1998 Allendorph et al.



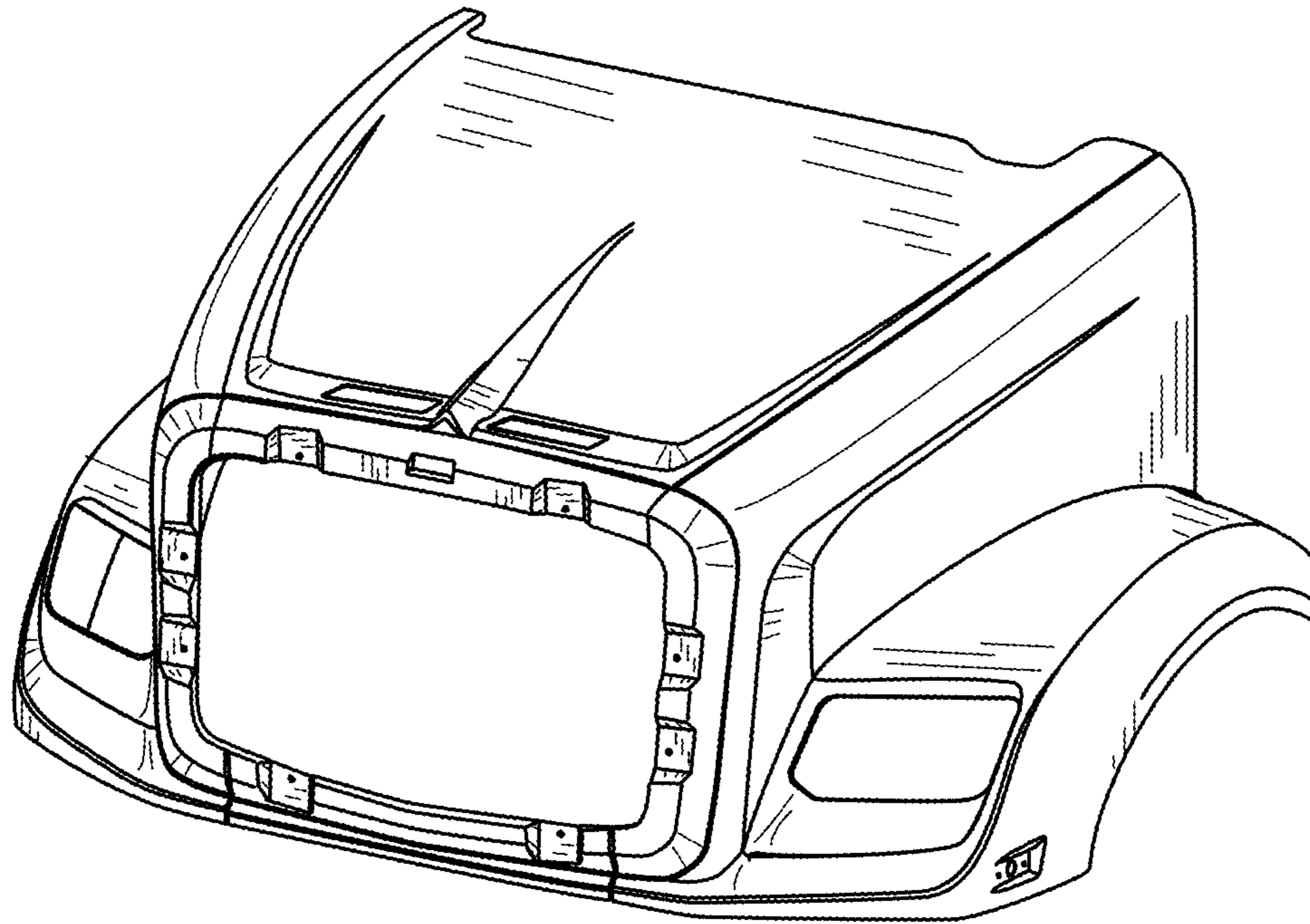
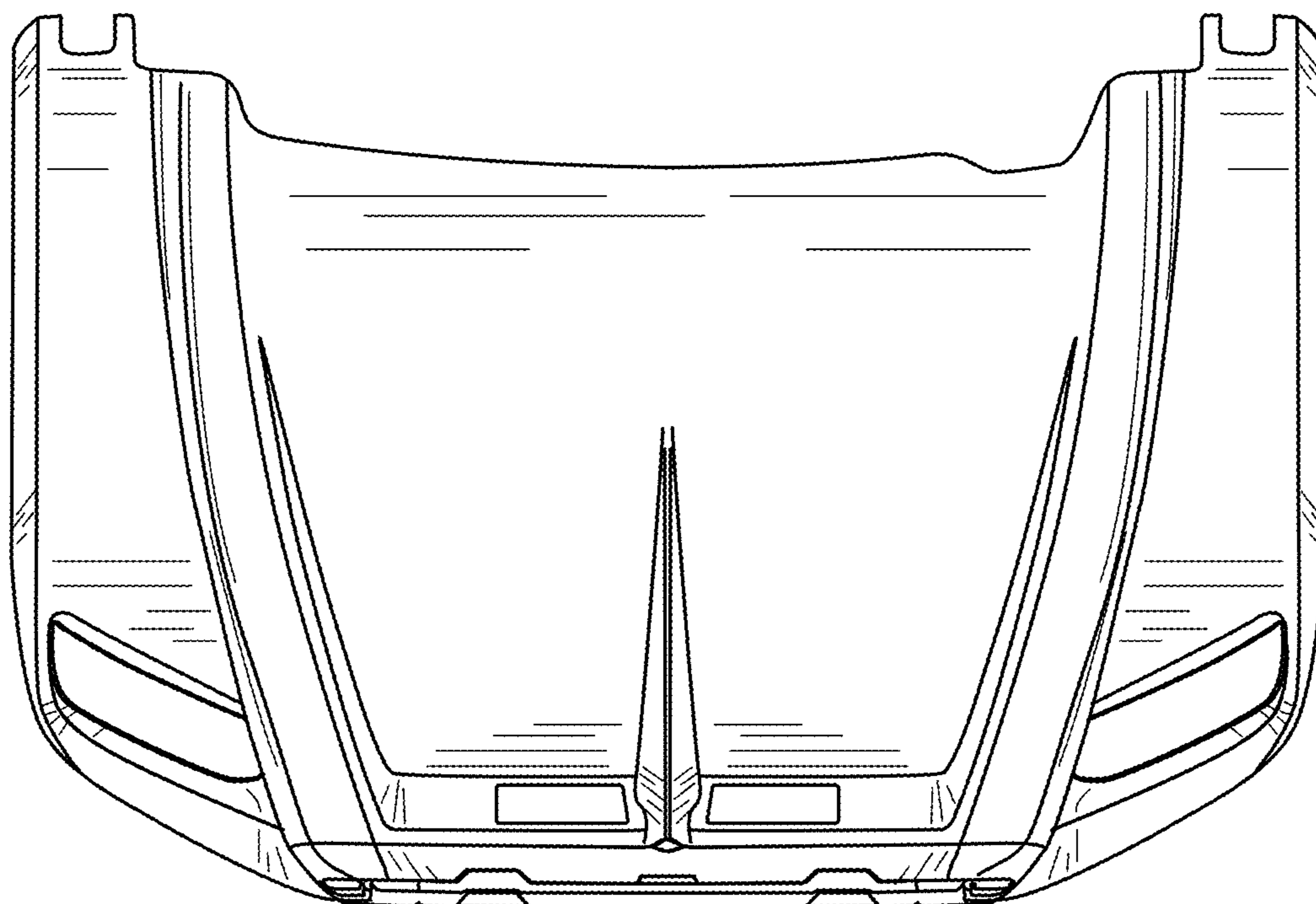


FIG. 1

FIG. 2



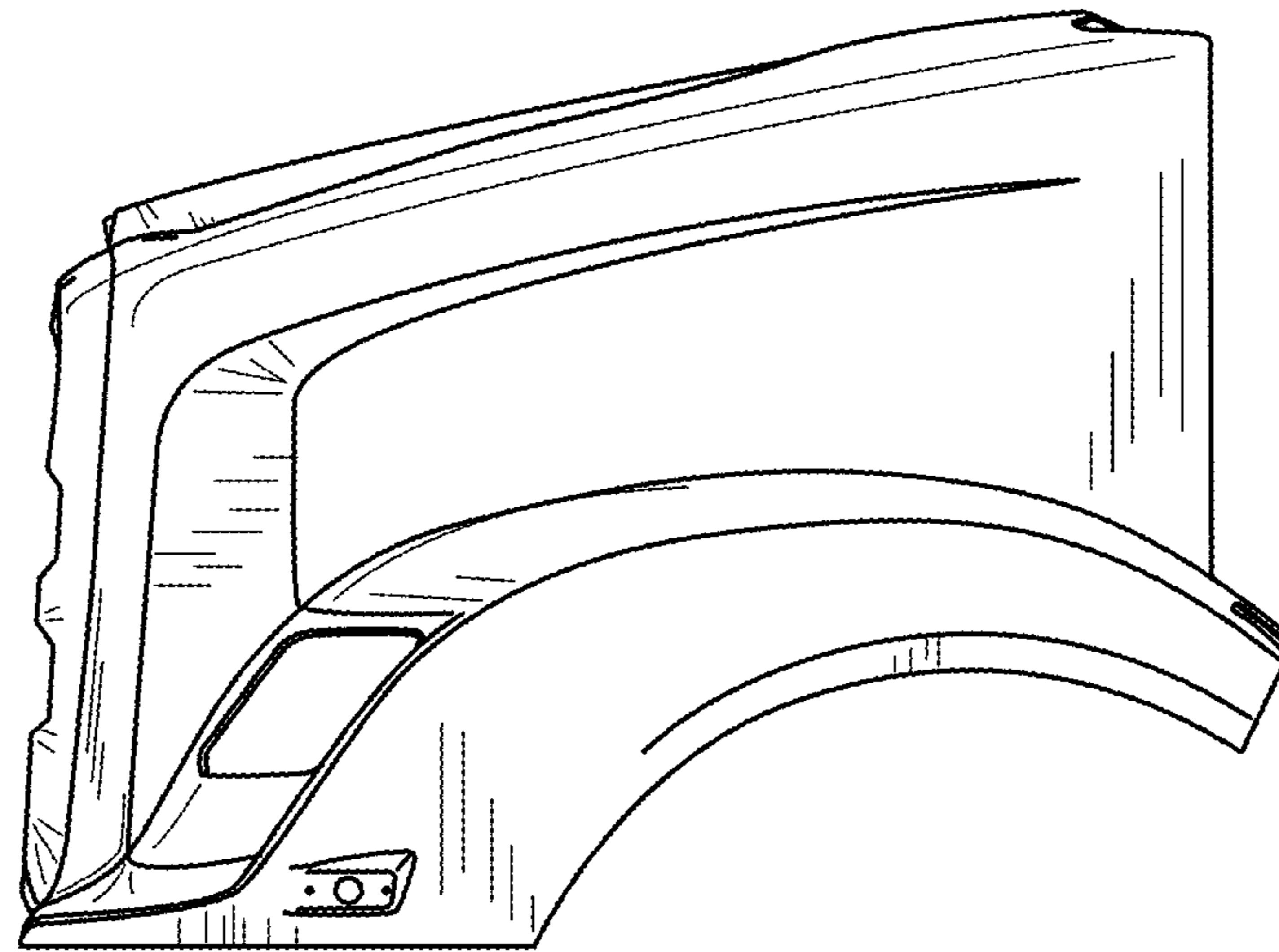


FIG. 3

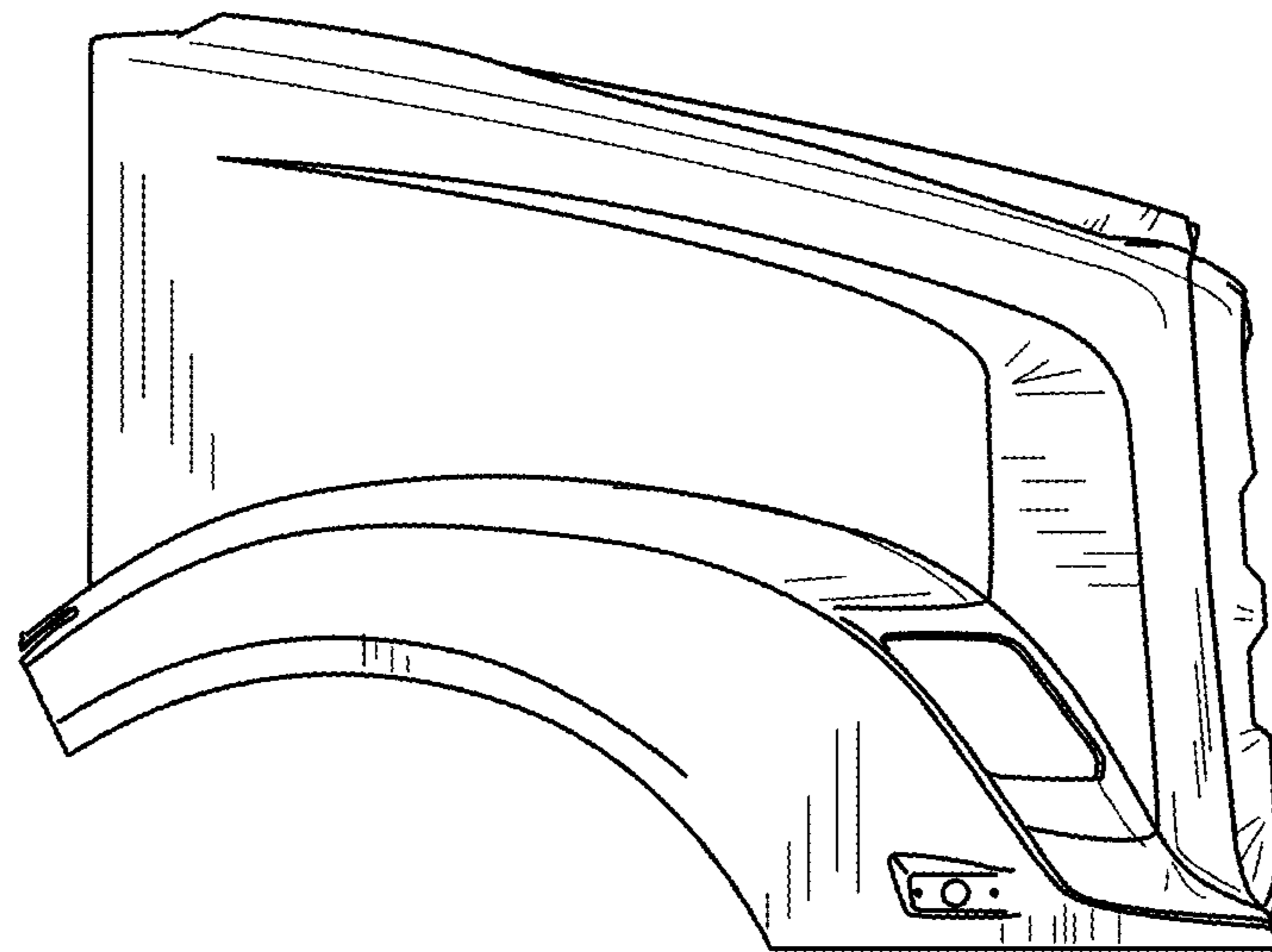


FIG. 4

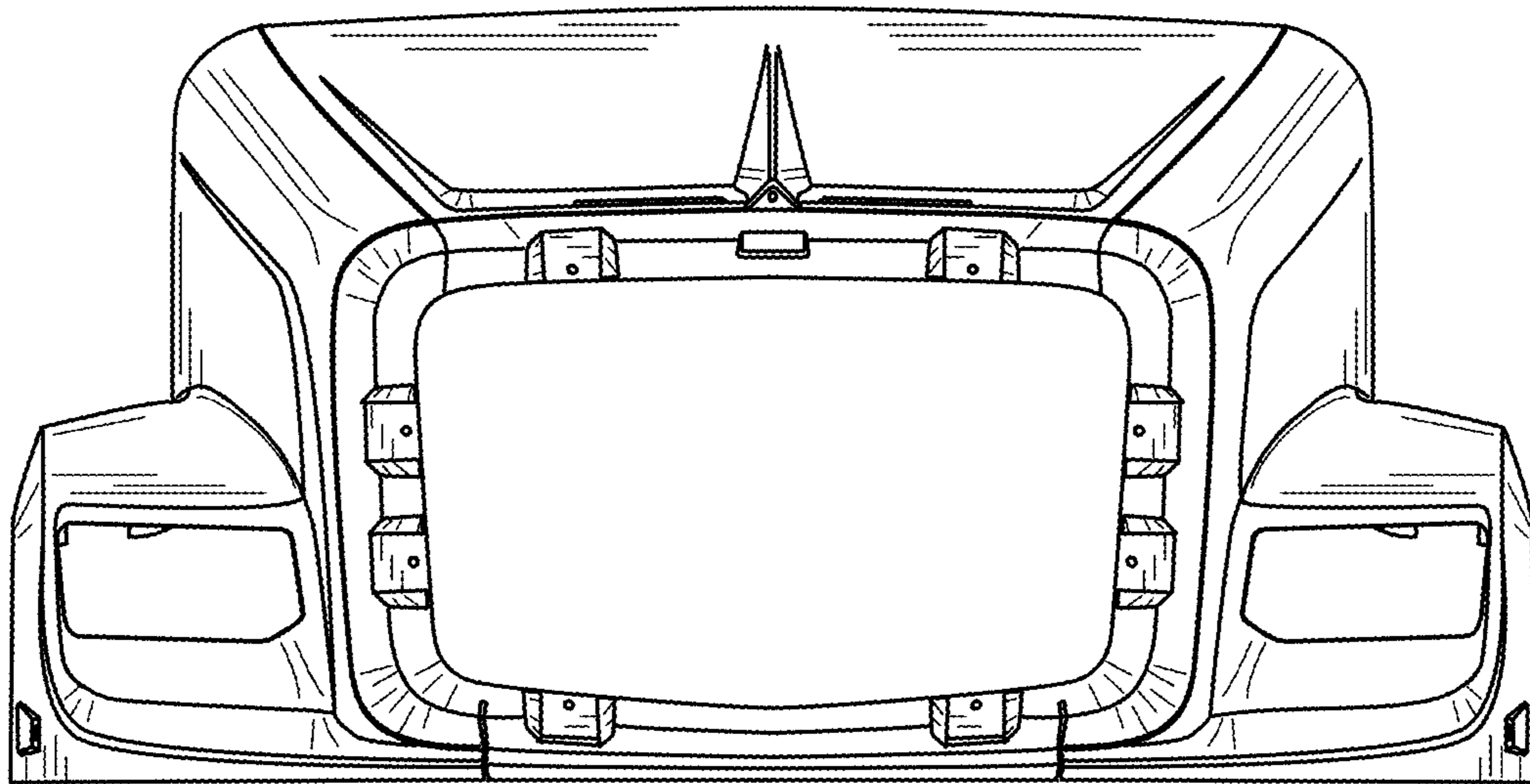


FIG. 5

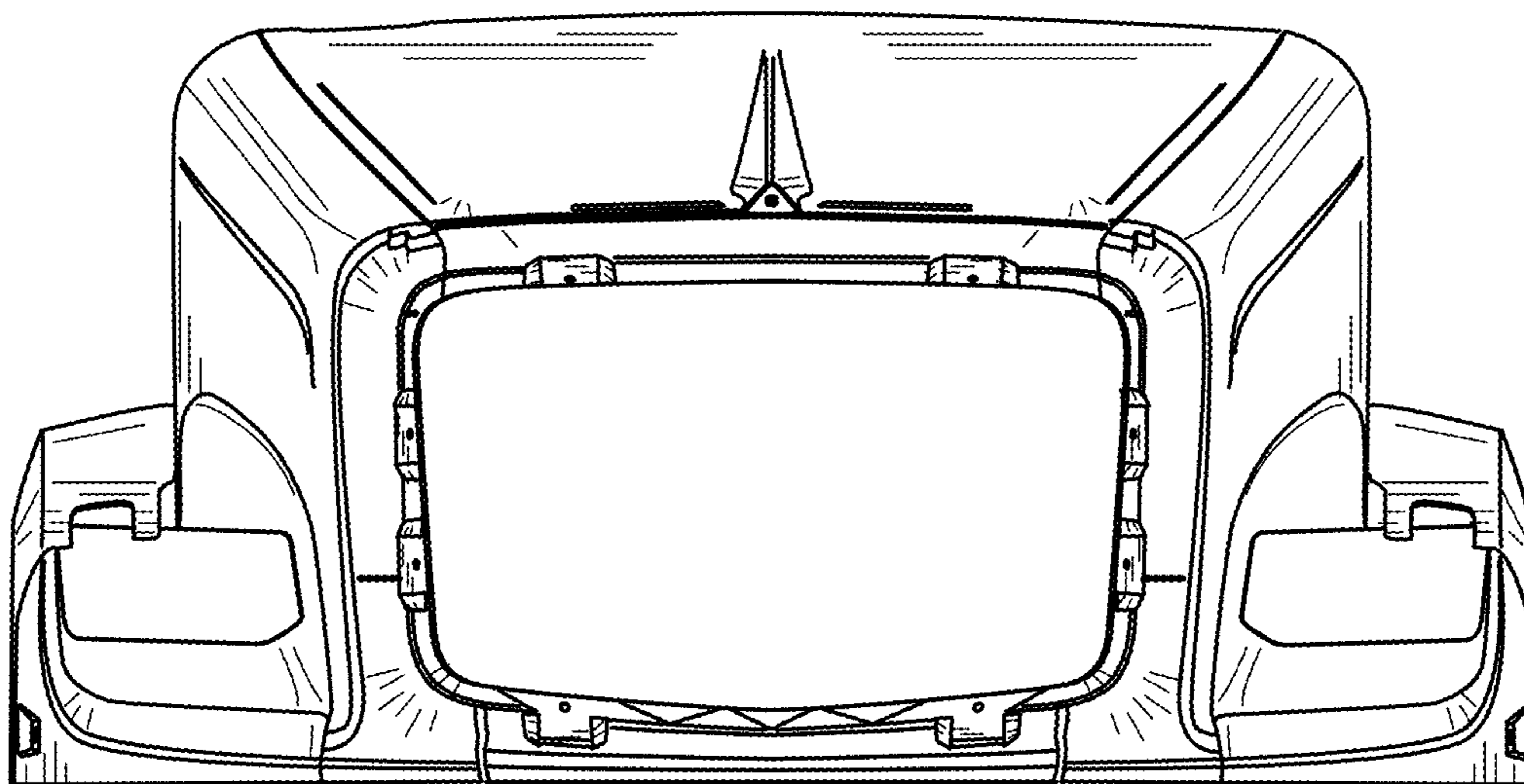


FIG. 6