



US00D784866S

(12) **United States Design Patent**
Hill et al.

(10) **Patent No.:** **US D784,866 S**
(45) **Date of Patent:** **** Apr. 25, 2017**

(54) **REAR BUMPER**

(71) Applicant: **Jaguar Land Rover Limited**, Whitley, Coventry (GB)

(72) Inventors: **Andrew Hill**, Coventry (GB); **Andrew Webber**, Coventry (GB)

(73) Assignee: **Jaguar Land Rover Limited**, Whitley, Coventry (GB)

(**) Term: **15 Years**

(21) Appl. No.: **29/545,921**

(22) Filed: **Nov. 17, 2015**

(30) **Foreign Application Priority Data**

Jun. 15, 2015 (EM) 002719302

(51) **LOC (10) Cl.** **12-08**

(52) **U.S. Cl.**
USPC **D12/169**

(58) **Field of Classification Search**
USPC D12/86-92, 163-172; 293/102-155;
296/35.2, 193.09, 193.1, 203.02
(Continued)

(56) **References Cited**

U.S. PATENT DOCUMENTS

D374,642 S * 10/1996 Lawson D12/92
D508,880 S * 8/2005 Minami D12/169
(Continued)

OTHER PUBLICATIONS

“2016 Jaguar XF rear official image.” indianautosblog.com. Apr. 2, 2015. Accessed Aug. 15, 2016. Available online at URL: <http://indianautoblog.com/2015/04/2016-jaguar-xf-debuts-new-york-auto-show-175217/2016-jaguar-xf-rear-official-image>.*
(Continued)

Primary Examiner — Cathron Brooks
Assistant Examiner — Christian P McLean

(74) *Attorney, Agent, or Firm* — Wood Herron & Evans LLP

(57) **CLAIM**

The ornamental design for a rear bumper, as shown and described.

DESCRIPTION

FIG. 1 is a right front perspective view of a rear bumper for a vehicle according to the present invention.

FIG. 2 is a left rear perspective view of the rear bumper shown in FIG. 1.

FIG. 3 is a front view thereof.

FIG. 4 is a rear view thereof.

FIG. 5 is a left side view thereof.

FIG. 6 is a right side view thereof.

FIG. 7 is a top view thereof.

FIG. 8 is a right front perspective view of the rear bumper shown in FIG. 1, with the rear bumper mounted on a vehicle shown in de-emphasized and half-tone portions. These de-emphasized portions form no part of the claimed invention. More particularly, in FIG. 8, the rear bumper of the present invention is shown within the broken lines, and any elements shown outside of the broken lines form no part of the claimed invention, but are instead included to show environmental aspects of the claimed invention.

FIG. 9 is a right front perspective view of a rear bumper for a vehicle according to an alternative embodiment of the invention.

FIG. 10 is a left rear perspective view of the bumper shown in FIG. 9.

FIG. 11 is a front view thereof.

FIG. 12 is a rear view thereof.

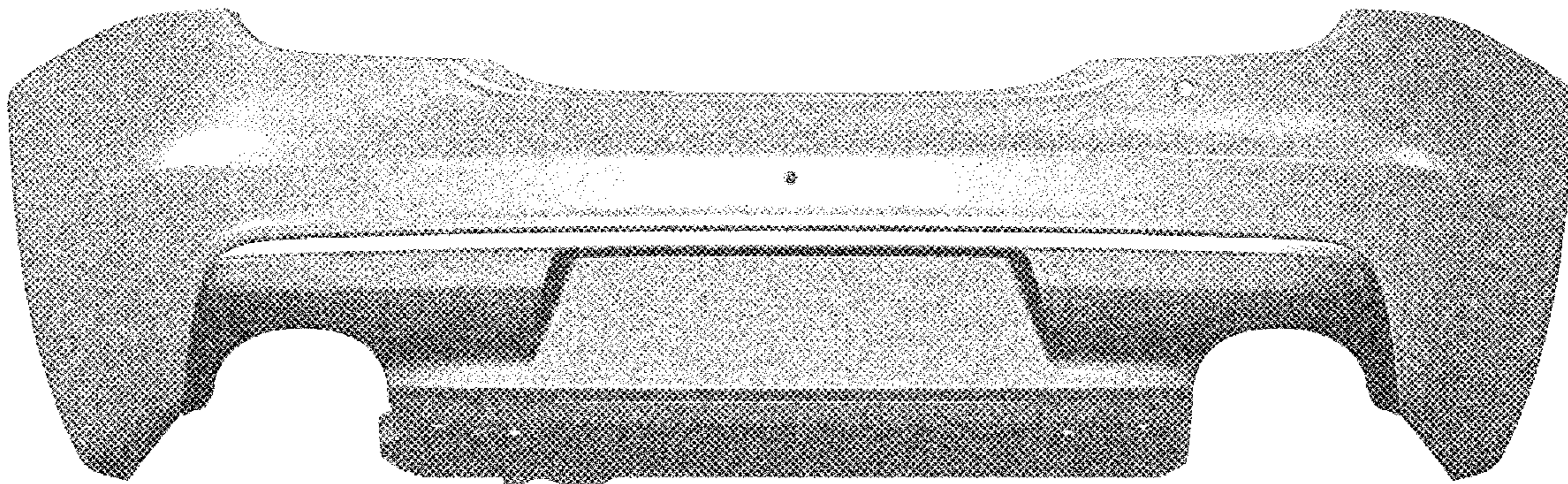
FIG. 13 is a left side view thereof.

FIG. 14 is a right side view thereof.

FIG. 15 is a top view thereof; and,

FIG. 16 is a right front perspective view of the rear bumper shown in FIG. 9, with the rear bumper mounted on a vehicle shown in de-emphasized and half-tone portions. These de-emphasized portions form no part of the claimed invention. More particularly, in FIG. 16, the rear bumper of the present invention is shown within the broken lines, and any elements

(Continued)



shown outside of the broken lines form no part of the claimed invention, but are instead included to show environmental aspects of the claimed invention.

1 Claim, 14 Drawing Sheets

(58) **Field of Classification Search**

CPC B60R 19/02; B60R 19/023; B60R 19/18;
 B60R 19/24; B60R 19/44; B60R 19/48;
 B60R 19/56; B60R 2019/527; B60R
 2019/1886

See application file for complete search history.

(56) **References Cited**

U.S. PATENT DOCUMENTS

D583,726 S	*	12/2008	Song	D12/169
D592,567 S	*	5/2009	Saracoglu	D12/169
D610,499 S	*	2/2010	Truebsbach	D12/169
D615,912 S	*	5/2010	Akasawa	D12/169
D640,613 S	*	6/2011	Bauer	D12/169

D678,820 S	*	3/2013	Song	D12/91
D680,473 S	*	4/2013	Kido	D12/163
D695,162 S	*	12/2013	Scheinhutte	D12/169
D696,168 S	*	12/2013	Ito	D12/169
D699,167 S	*	2/2014	Sato	D12/169
D713,764 S	*	9/2014	Ferlazzo	D12/92
D713,766 S	*	9/2014	Katou	D12/169
D718,188 S	*	11/2014	Wheel	D12/91
D725,009 S	*	3/2015	Hirai	D12/169
D746,189 S	*	12/2015	Yamamoto	D12/169

OTHER PUBLICATIONS

“2016 Jaguar XJ rear at IAA 2015.” indianautosblog.com. Sep. 16, 2015. Accessed Aug. 15, 2016. Available online at URL: <<http://indianautosblog.com/2015/09/2016-jaguar-xj-facelift-2015-frankfurt-live-191560/2016-jaguar-xj-rear-at-iaa-2015>>.*

Atiyeh, Clifford. “2016 Jaguar XJ: Faster Computers Tech Up the Refreshed Flagship Sedan.” blog.caranddriver.com. Jun. 16, 2015. Accessed Aug. 15, 2016. Available online at URL: <<http://blog.caranddriver.com/2016-jaguar-xj-faster-computers-tech-up-the-refreshed-flagship-sedan/>>.*

* cited by examiner

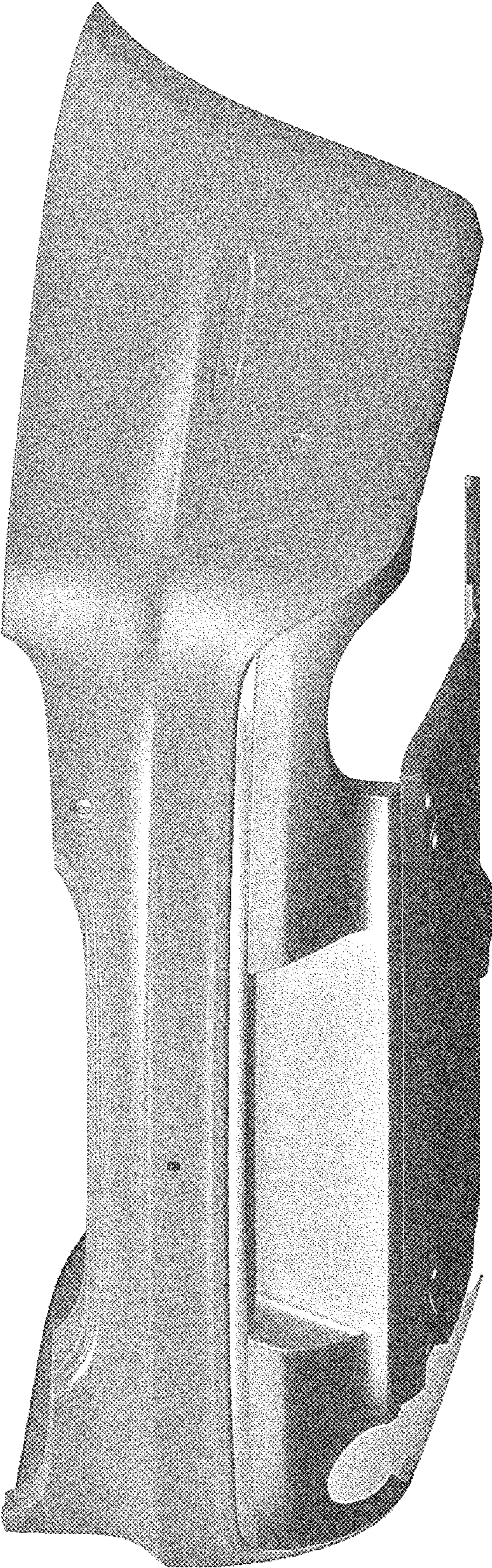


FIG. 1

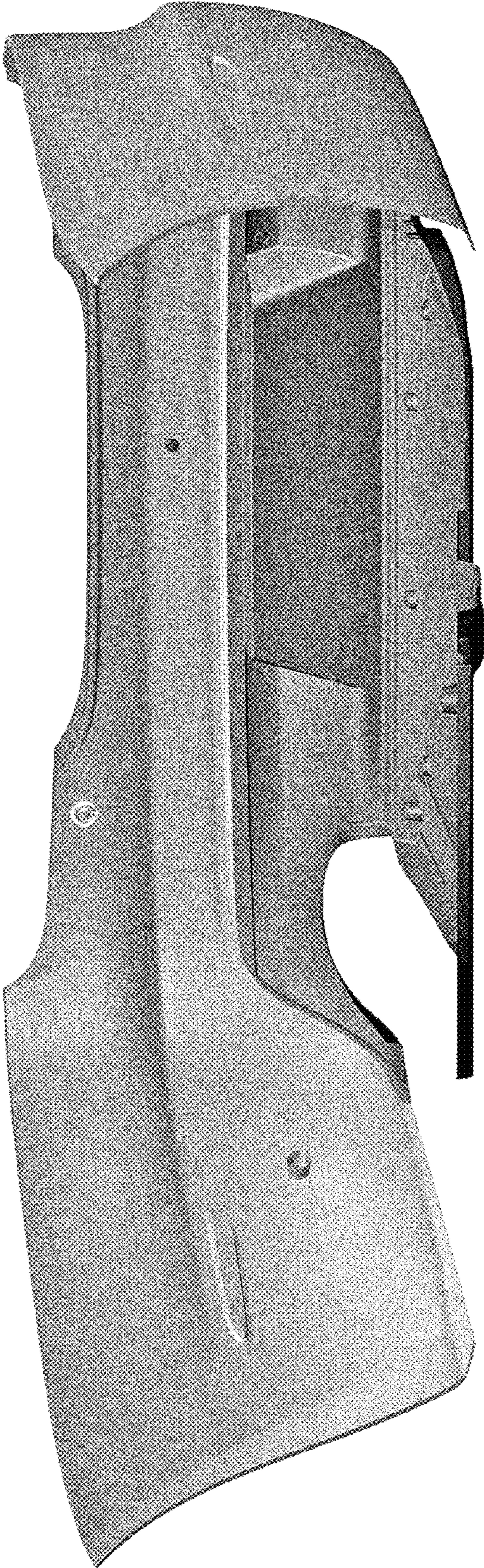


FIG. 2

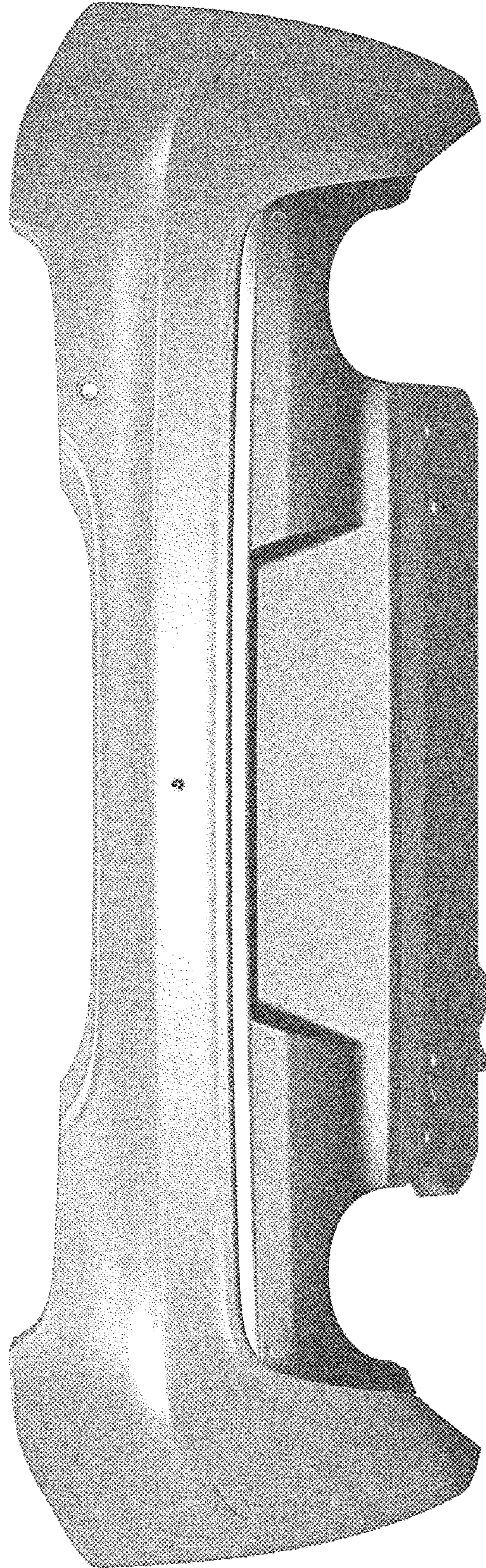


FIG. 3

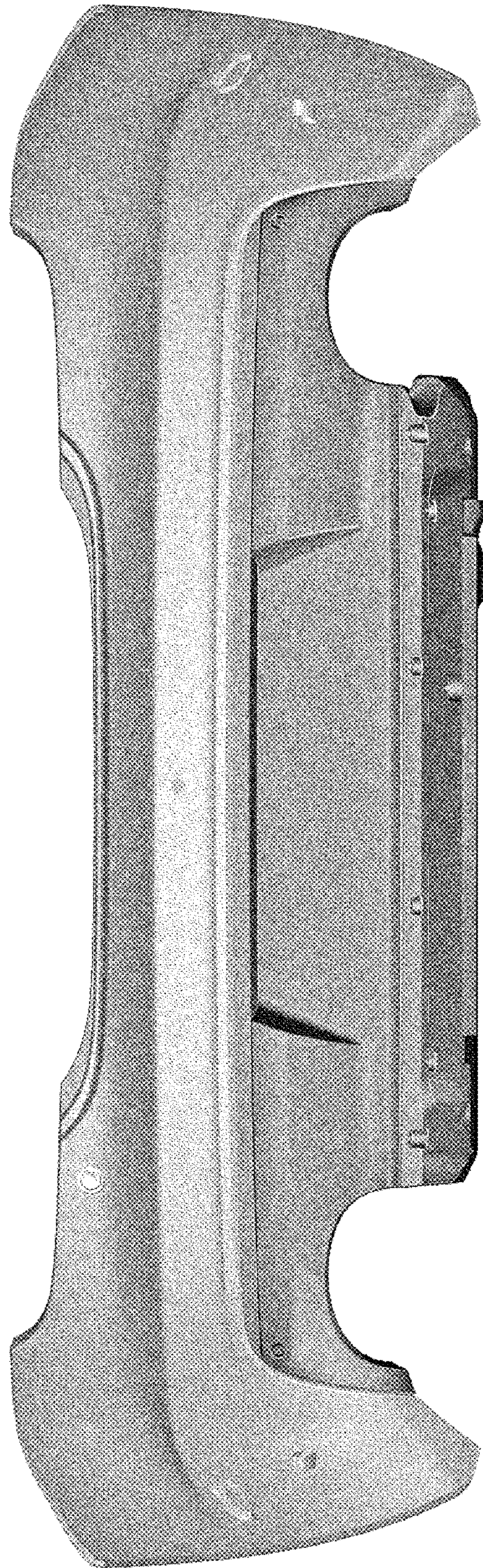


FIG. 4

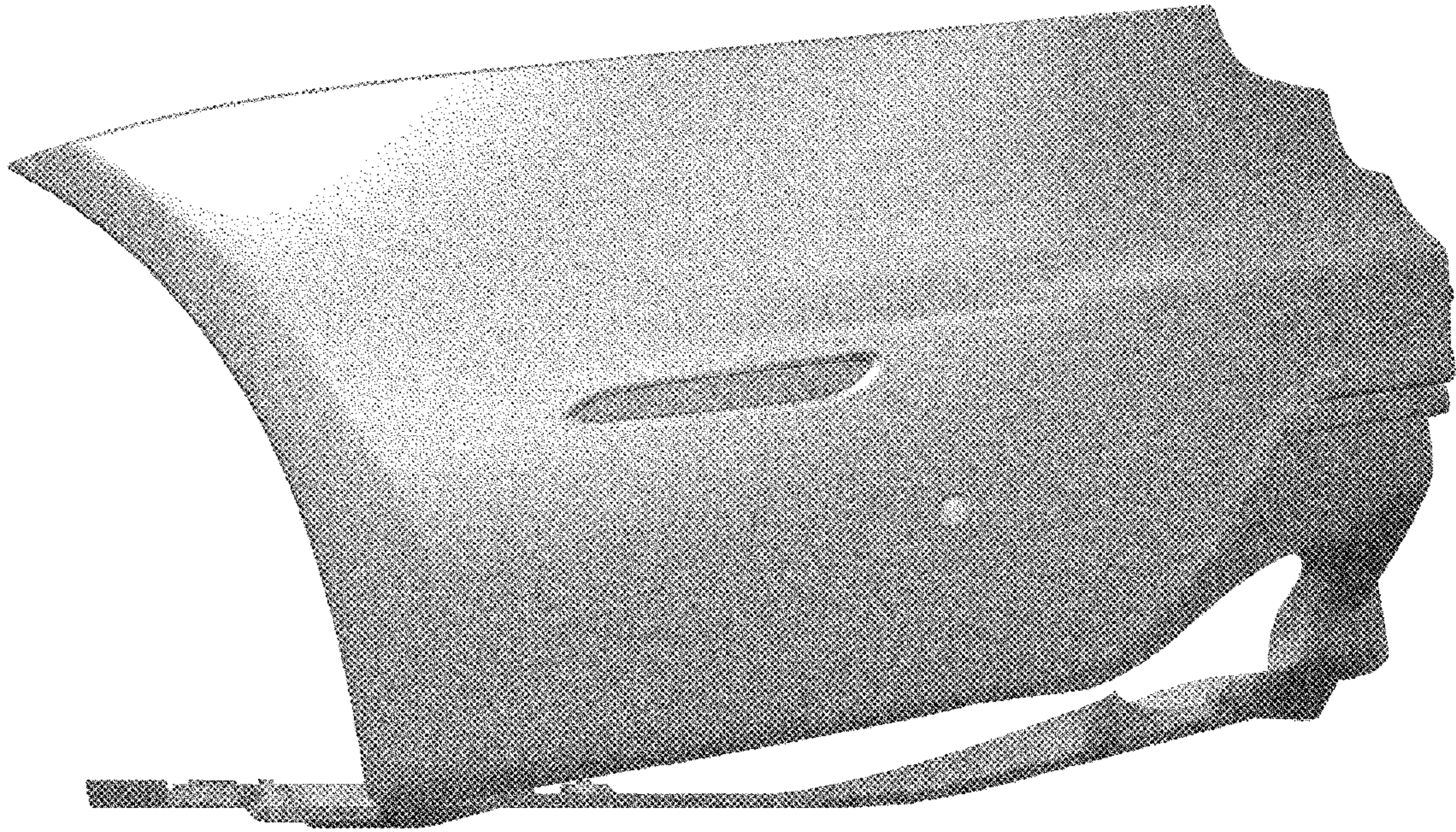


FIG. 5

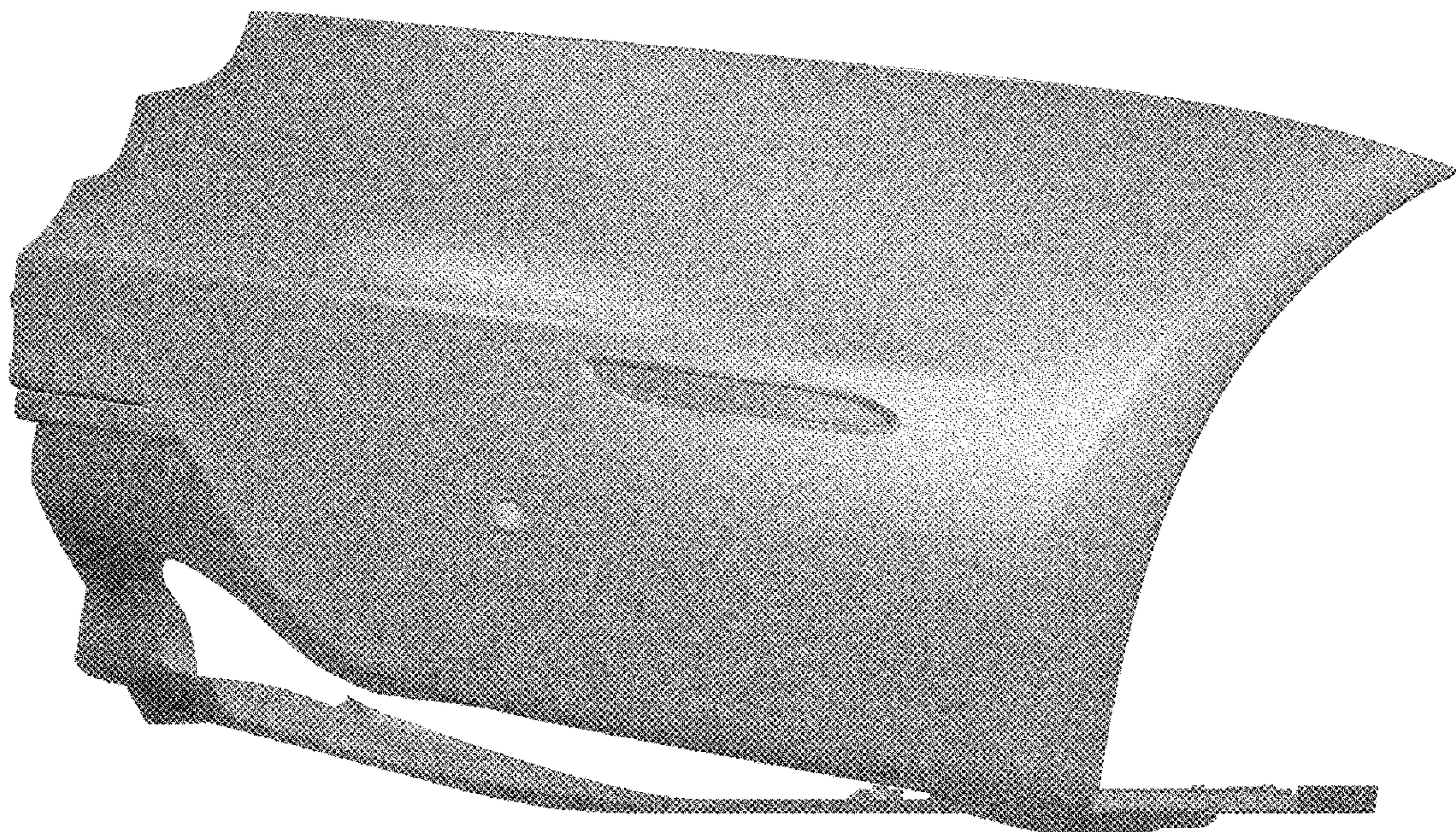


FIG. 6

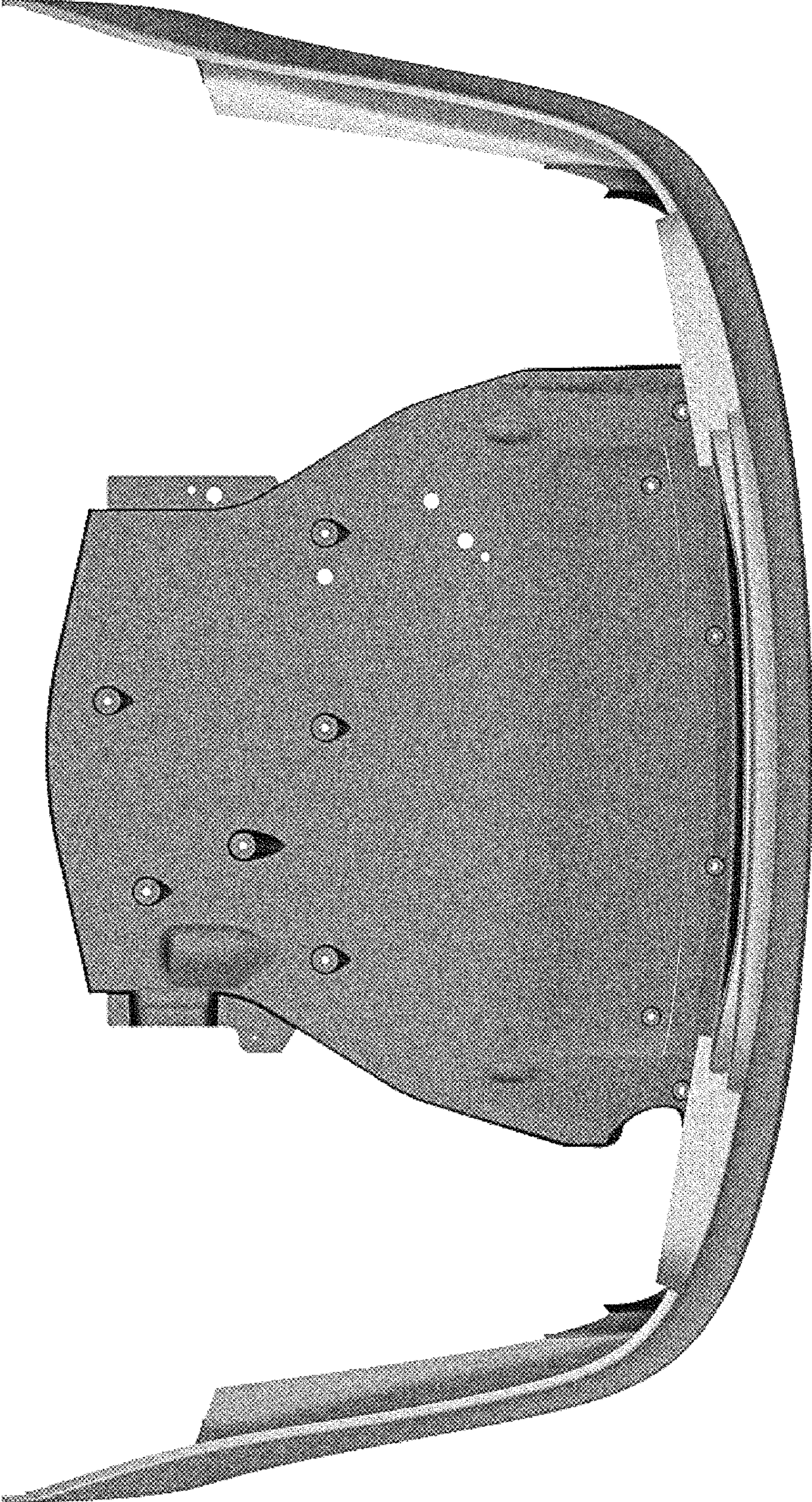


FIG. 7

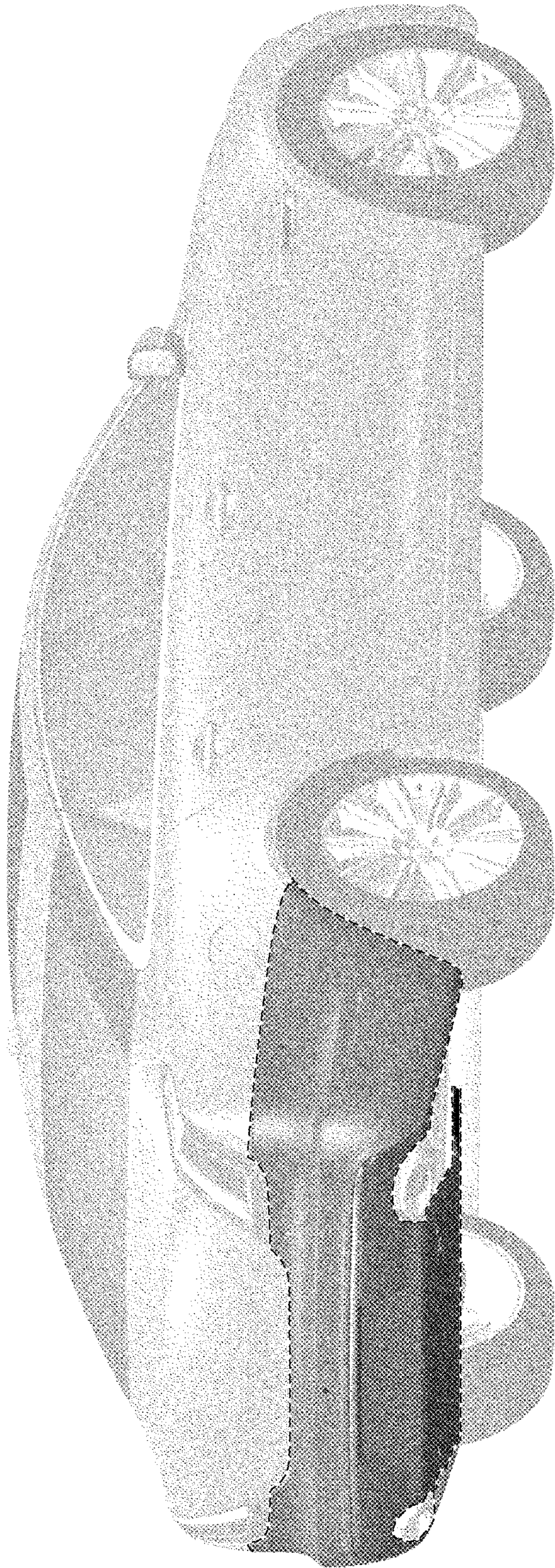


FIG. 8

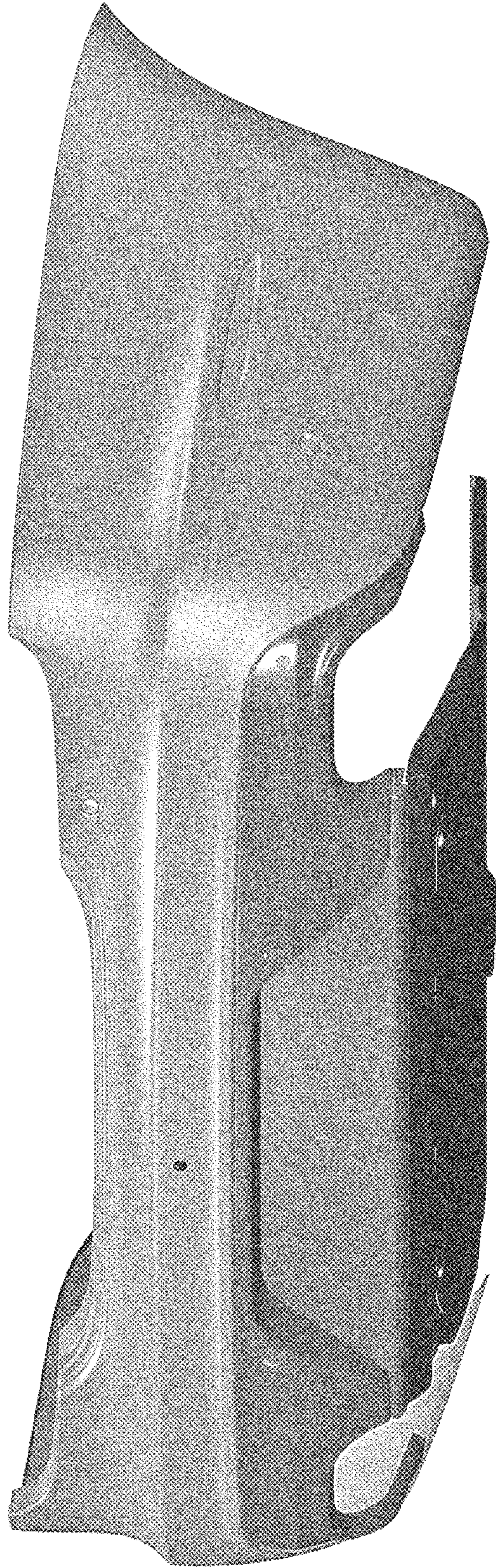


FIG. 9

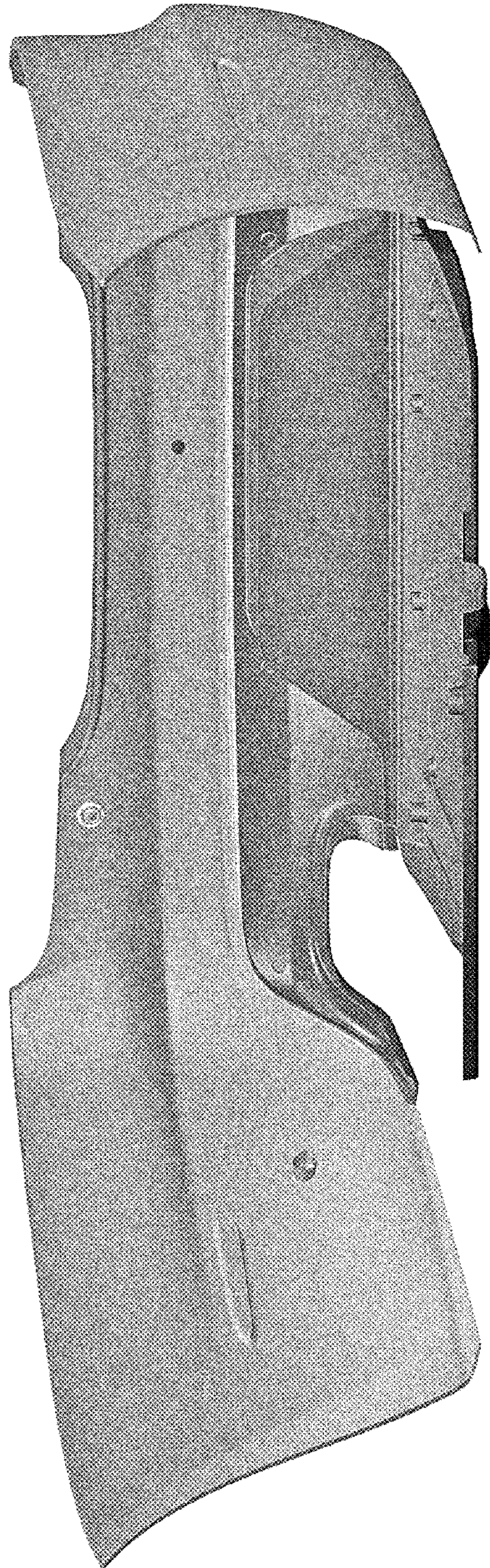


FIG. 10

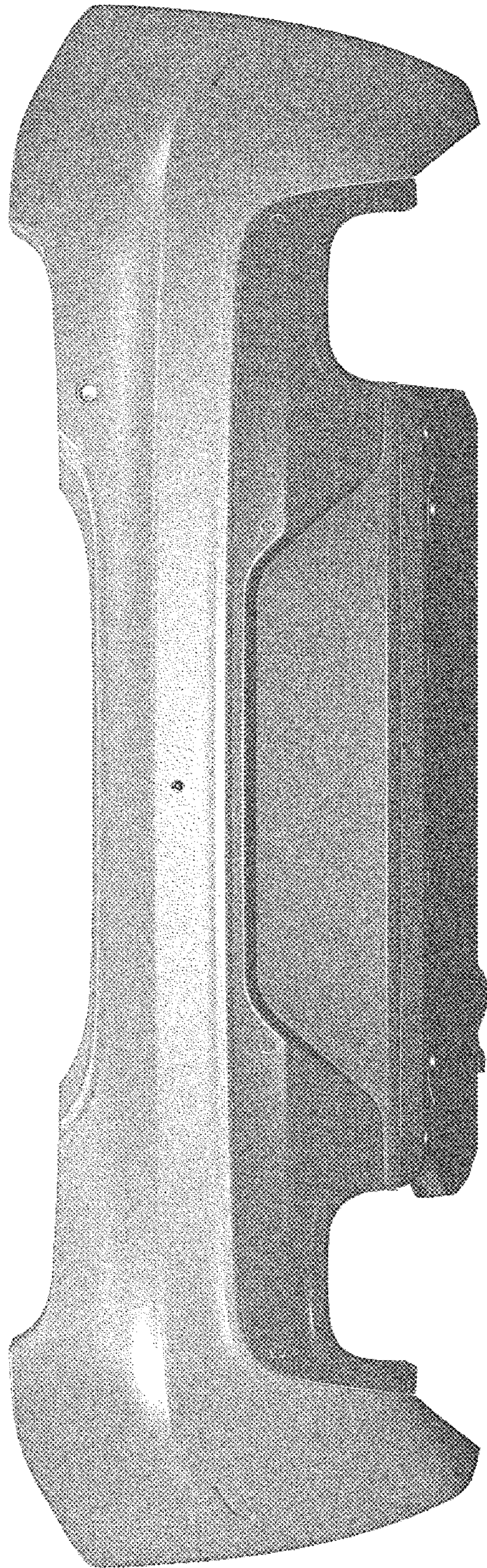


FIG. 11

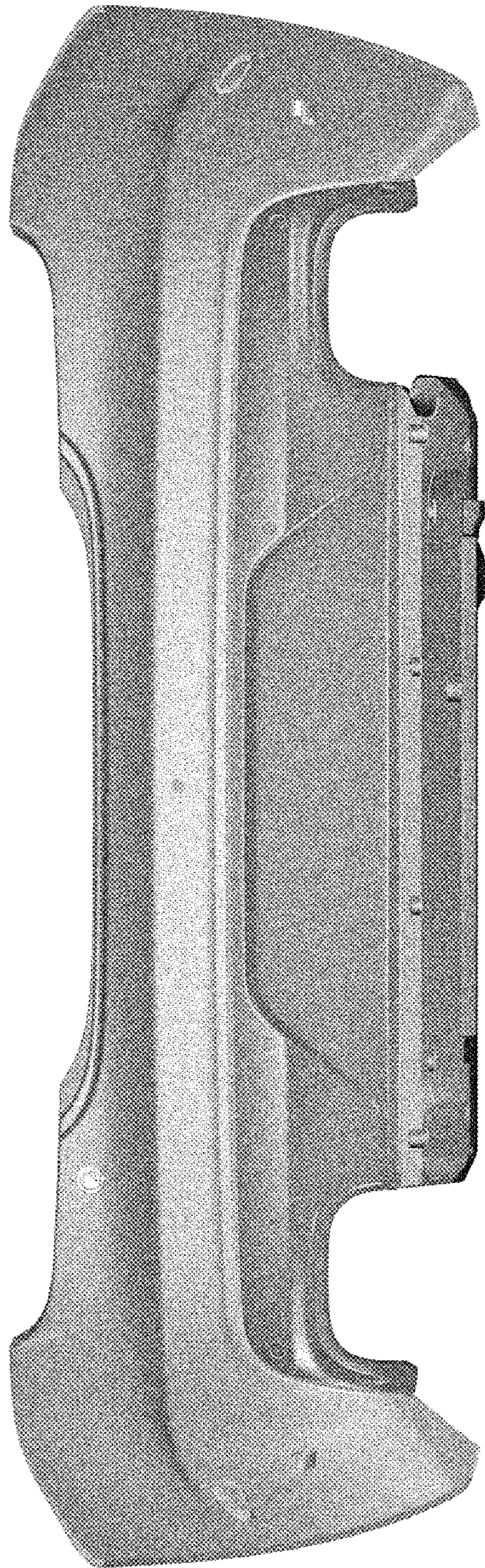


FIG. 12

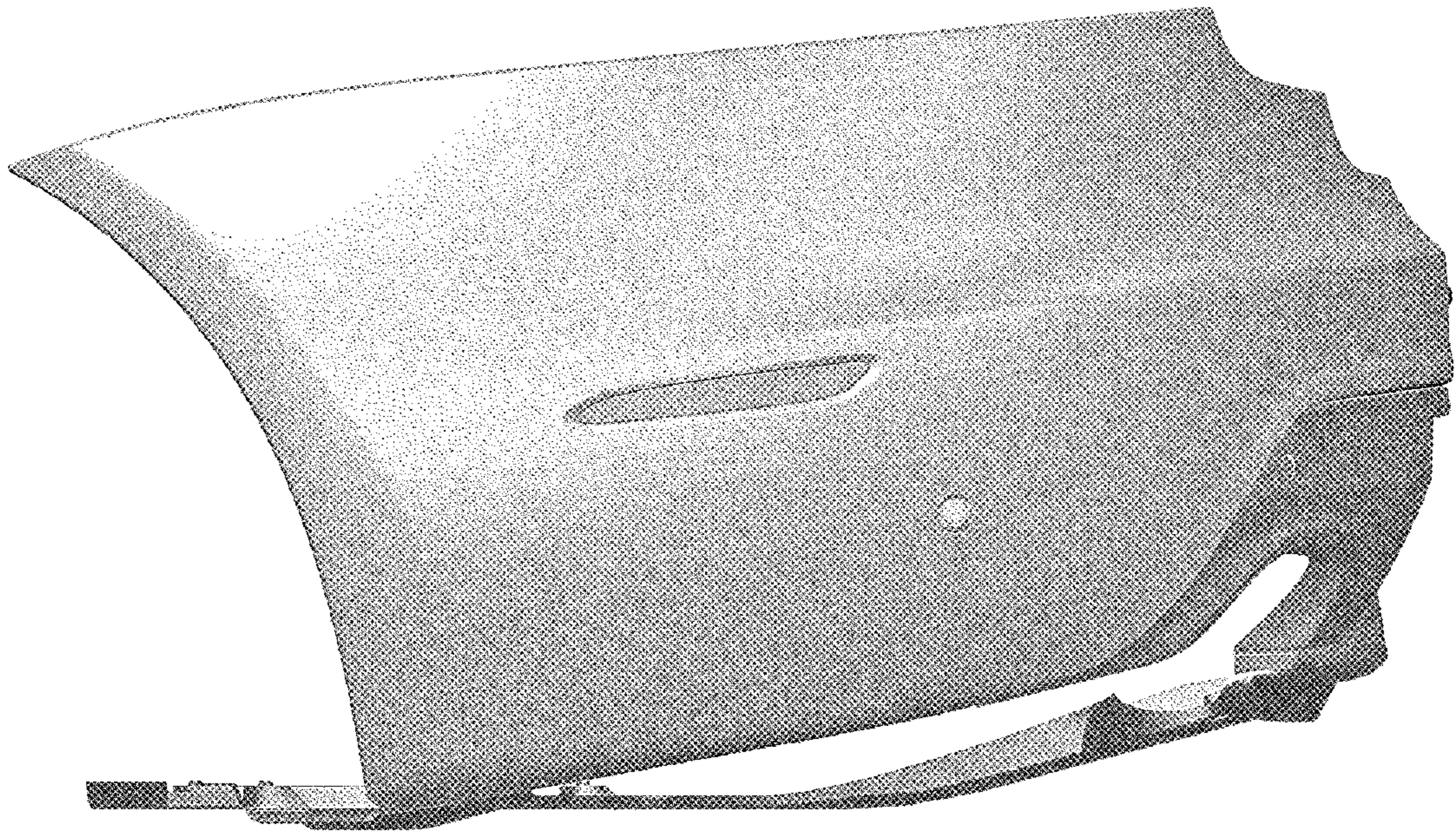


FIG. 13

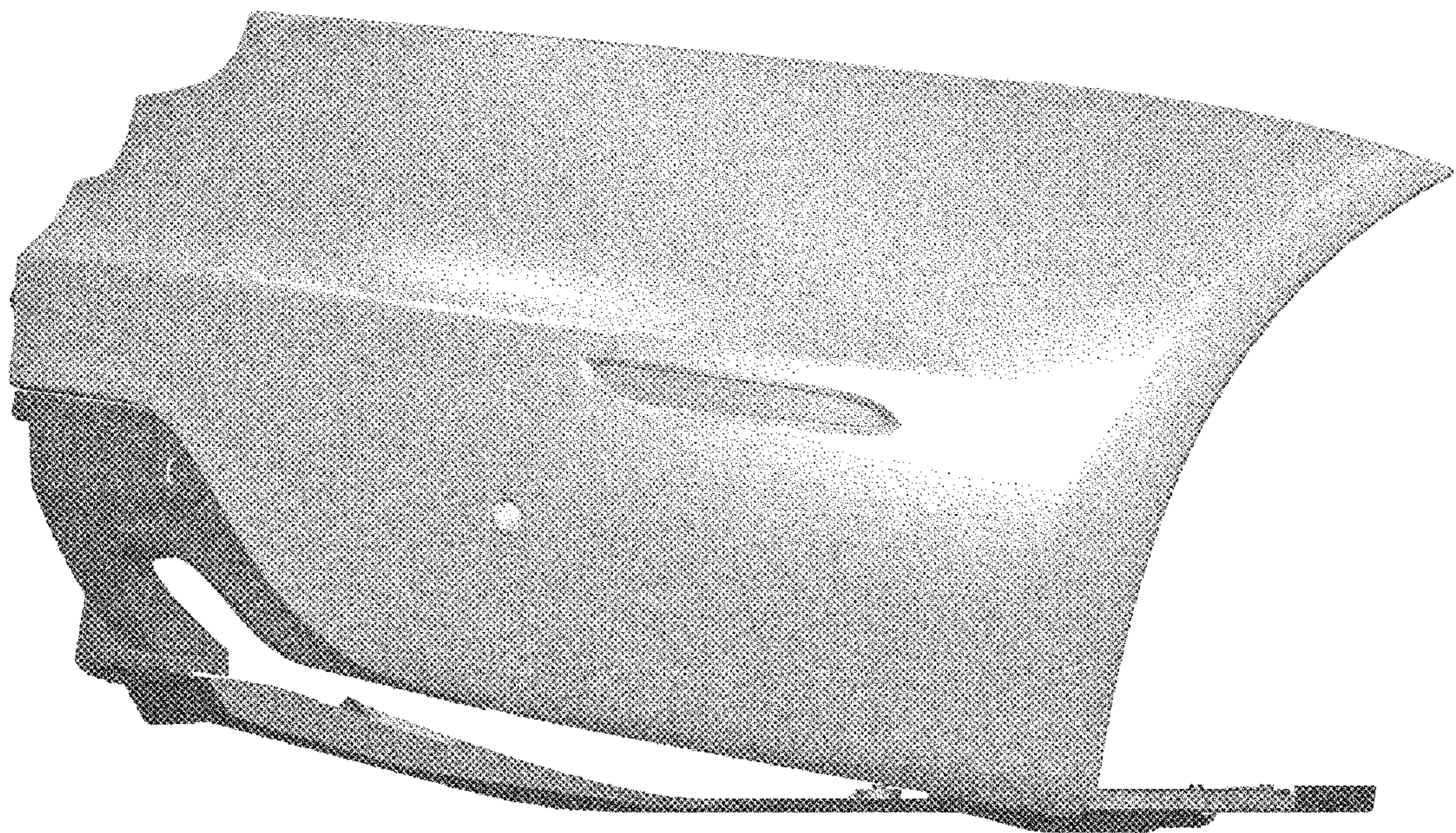


FIG. 14

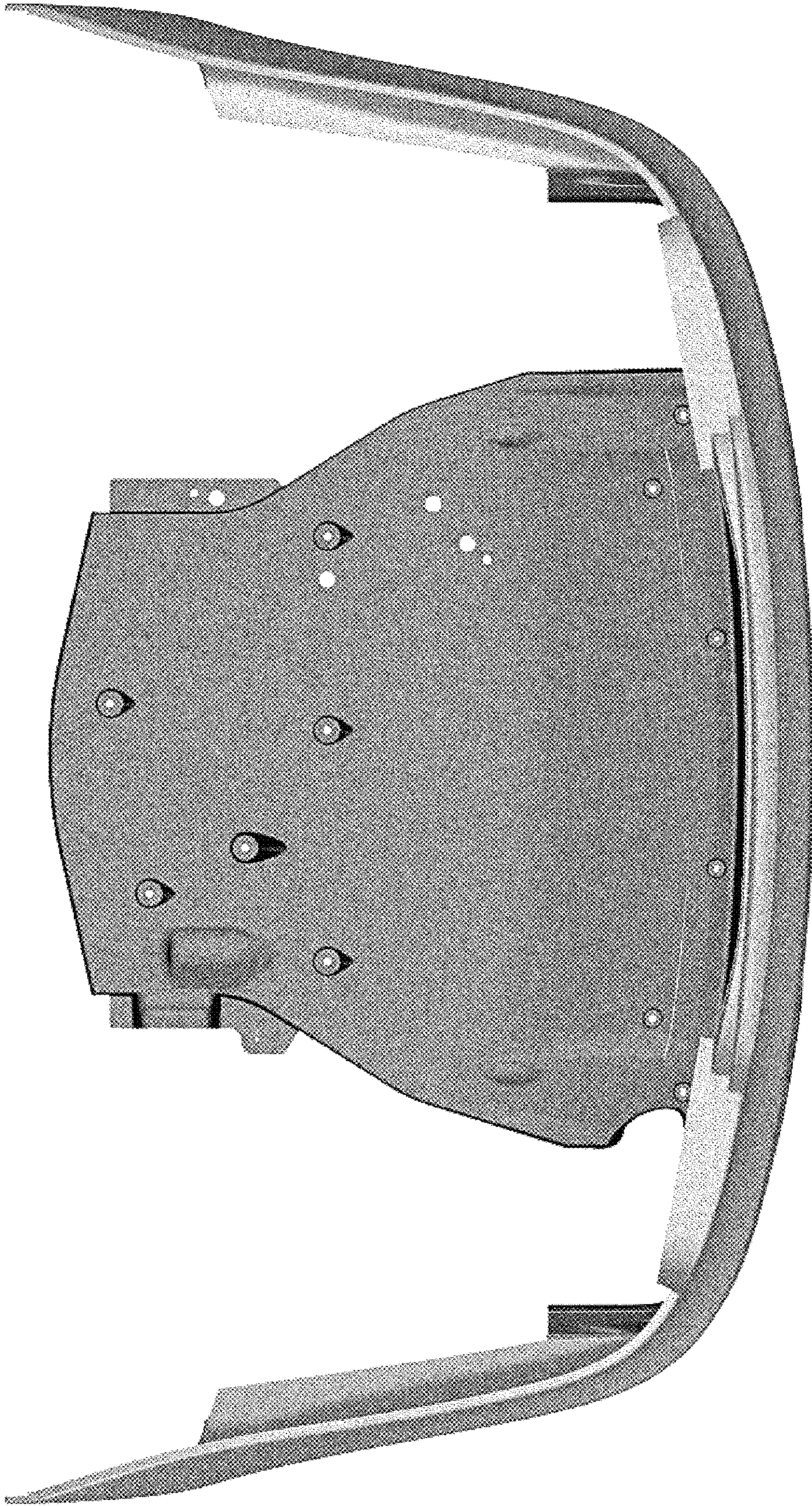


FIG. 15

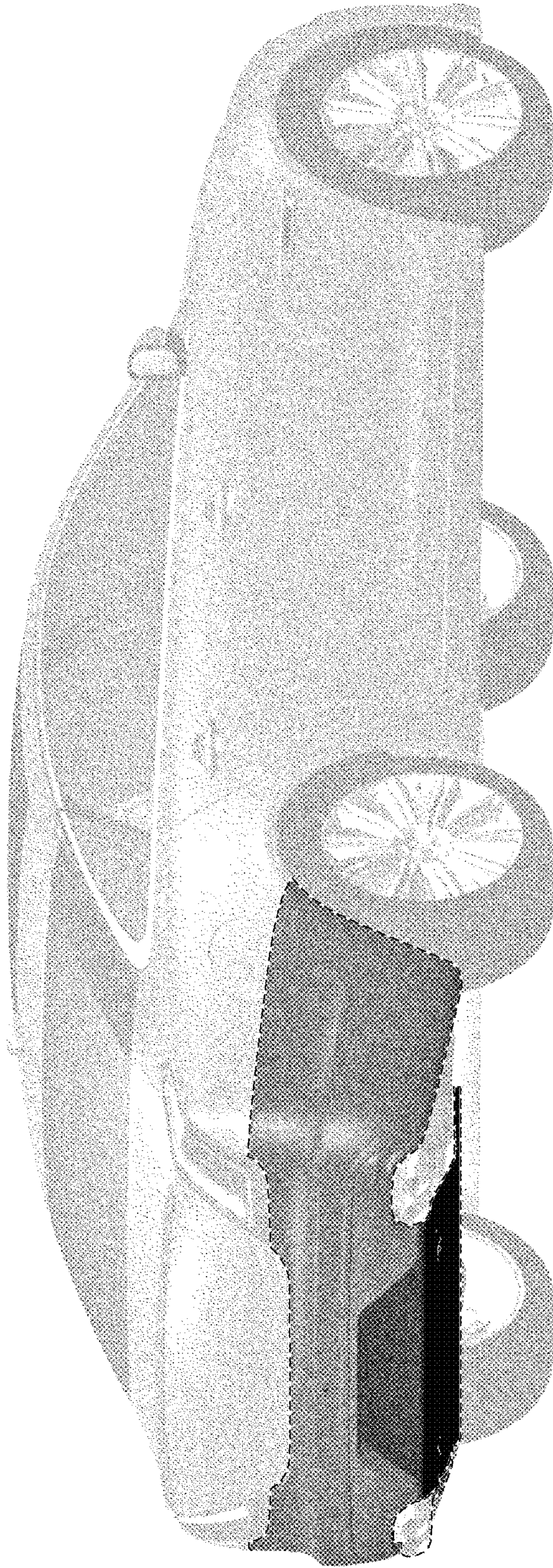


FIG. 16