



US00D784863S

(12) **United States Design Patent** (10) **Patent No.:** **US D784,863 S**  
**Rotenberg et al.** (45) **Date of Patent:** **\*\* Apr. 25, 2017**

- (54) **UNIVERSAL HITCH MOUNT BRACKET**
- (71) Applicant: **Cequent Consumer Products, Inc.**,  
Solon, OH (US)
- (72) Inventors: **Gregory Y. Rotenberg**, Highland Heights, OH (US); **Gerald W. Corless**, Streetsboro, OH (US)
- (73) Assignee: **Cequent Consumer Products, Inc.**, Solon, OH (US)
- (\*\*) Term: **15 Years**
- (21) Appl. No.: **29/536,438**
- (22) Filed: **Aug. 17, 2015**
- (51) **LOC (10) Cl.** ..... **12-16**
- (52) **U.S. Cl.**  
USPC ..... **D12/162**
- (58) **Field of Classification Search**  
USPC ..... D12/162; D8/323, 331, 330, 349, 354, D8/394, 396  
CPC ..... B60D 11/06; B60D 1/065; B60D 1/60; B60D 1/52  
See application file for complete search history.

- 6,379,028 B1 4/2002 Crouse et al.
- D509,776 S \* 9/2005 Stettler ..... D12/162
- 9,033,358 B1 \* 5/2015 Williamson ..... B60D 1/60 280/507
- 2013/0049327 A1 2/2013 Bowe
- 2014/0016309 A1 1/2014 Toner

**OTHER PUBLICATIONS**

VisionX Receiver Hitch Light Mounting System—Model# XIL-SReceiver available at [http://www.northerntool.com/shop/tools/product\\_200609584\\_200609584](http://www.northerntool.com/shop/tools/product_200609584_200609584) (last accessed Feb. 10, 2016).

\* cited by examiner

*Primary Examiner* — Phillip S Hyder  
(74) *Attorney, Agent, or Firm* — McDonald Hopkins LLC

(57) **CLAIM**

The ornamental design for a universal hitch mount bracket, as shown and described.

**DESCRIPTION**

FIG. 1 is a perspective view of a universal hitch mount bracket showing our new design; FIG. 2 is a first side view thereof; FIG. 3 is a second side view thereof; FIG. 4 is a front view thereof; FIG. 5 is a top view thereof; FIG. 6 is a bottom view thereof; FIG. 7 is a perspective view of the universal hitch mount bracket in an open position; and, FIG. 8 is a perspective view of the universal hitch mount bracket with a bottom portion separate from a top portion thereof.

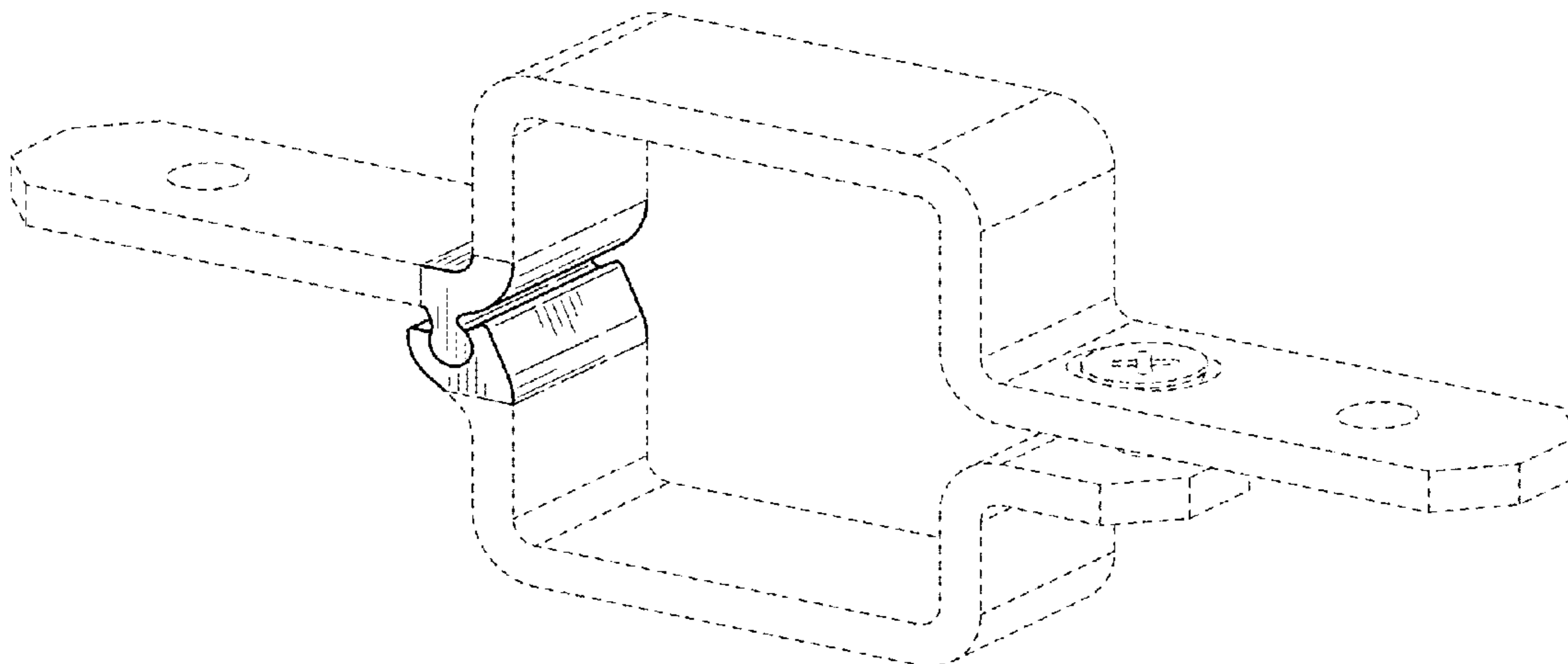
The broken lines depict portions of the universal hitch mount bracket in which the design is embodied that are not considered part of the claimed design.

**1 Claim, 3 Drawing Sheets**

(56) **References Cited**

**U.S. PATENT DOCUMENTS**

- D279,473 S \* 7/1985 Hochstetler ..... D14/238
- 4,730,841 A \* 3/1988 Ponder ..... B60D 1/60 280/501
- D296,777 S \* 7/1988 Cornell ..... D13/149
- D328,845 S \* 8/1992 Yoder ..... D8/72
- D340,720 S \* 10/1993 Yoder ..... D14/238
- D342,952 S \* 1/1994 Yoder ..... D14/238
- 5,288,094 A \* 2/1994 Putnam
- 5,584,495 A \* 12/1996 Mason ..... B60D 1/60 280/507
- 6,012,828 A 1/2000 Pearce et al.
- 6,062,583 A \* 5/2000 Lauricella, Jr. .... B60D 1/06 280/507



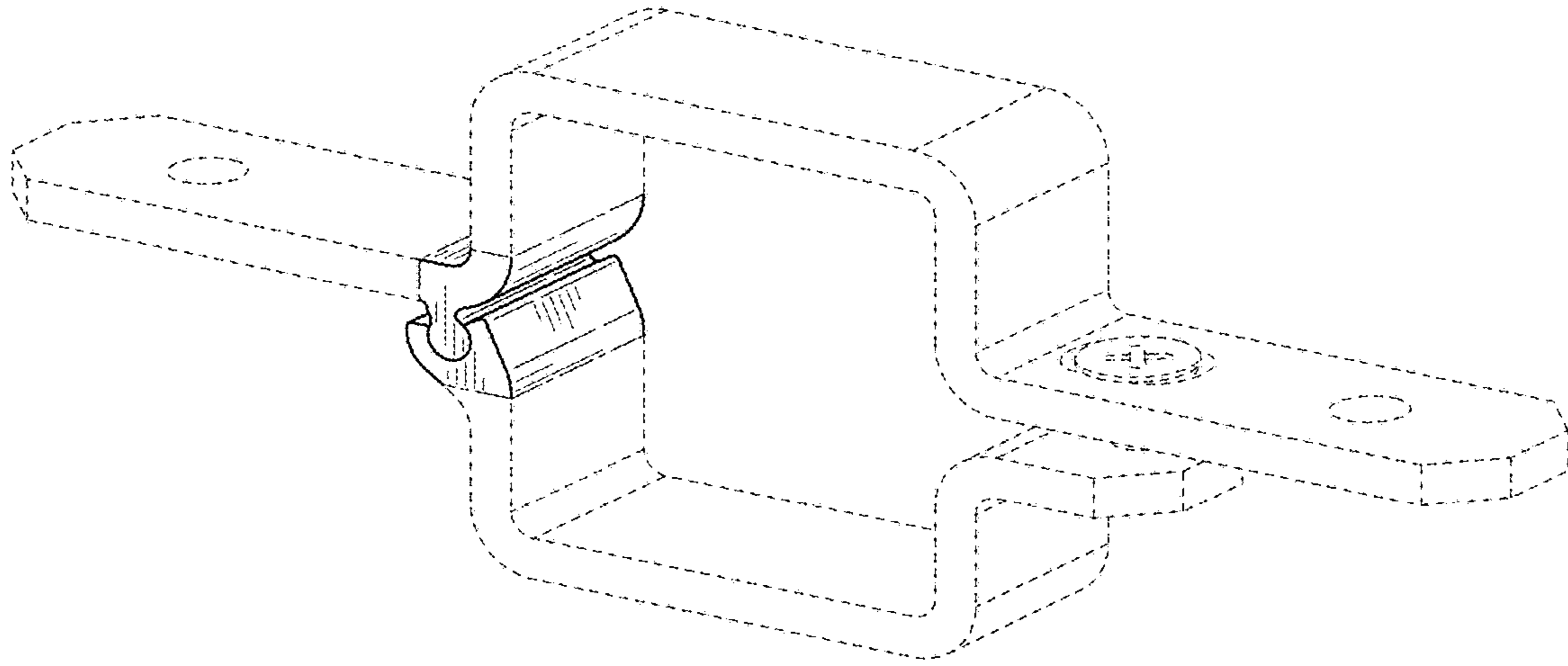


FIG. 1

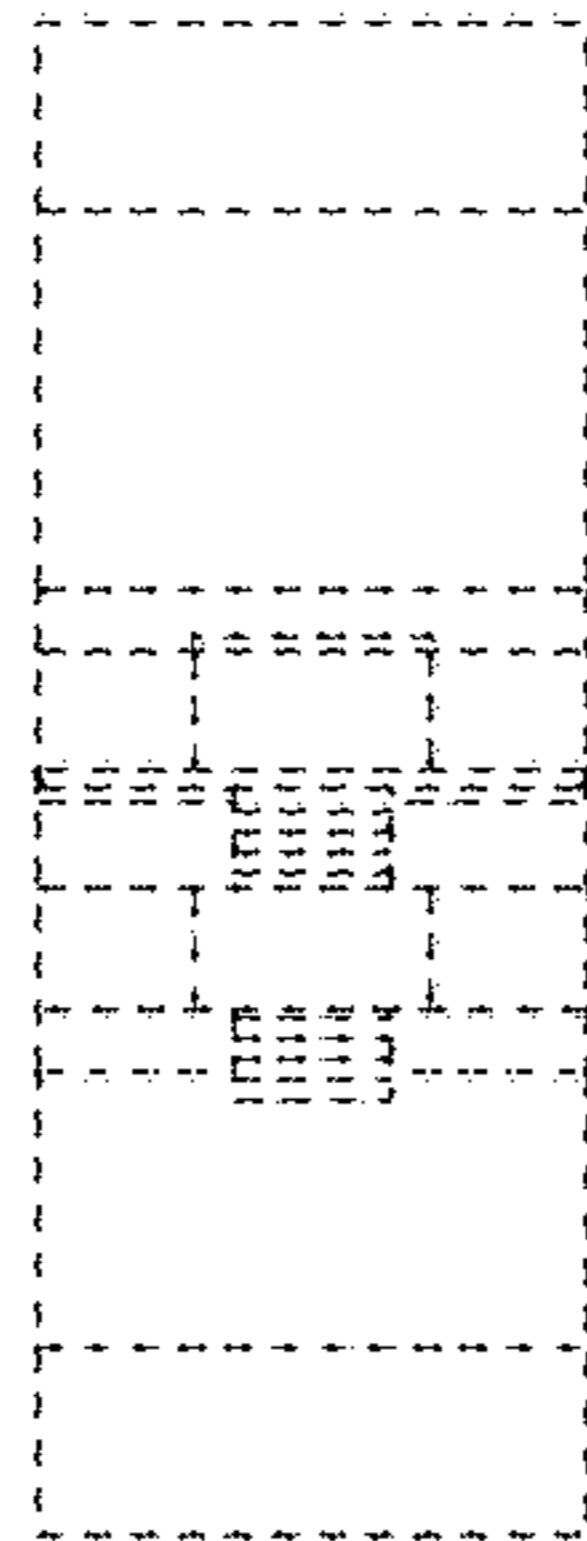


FIG. 2

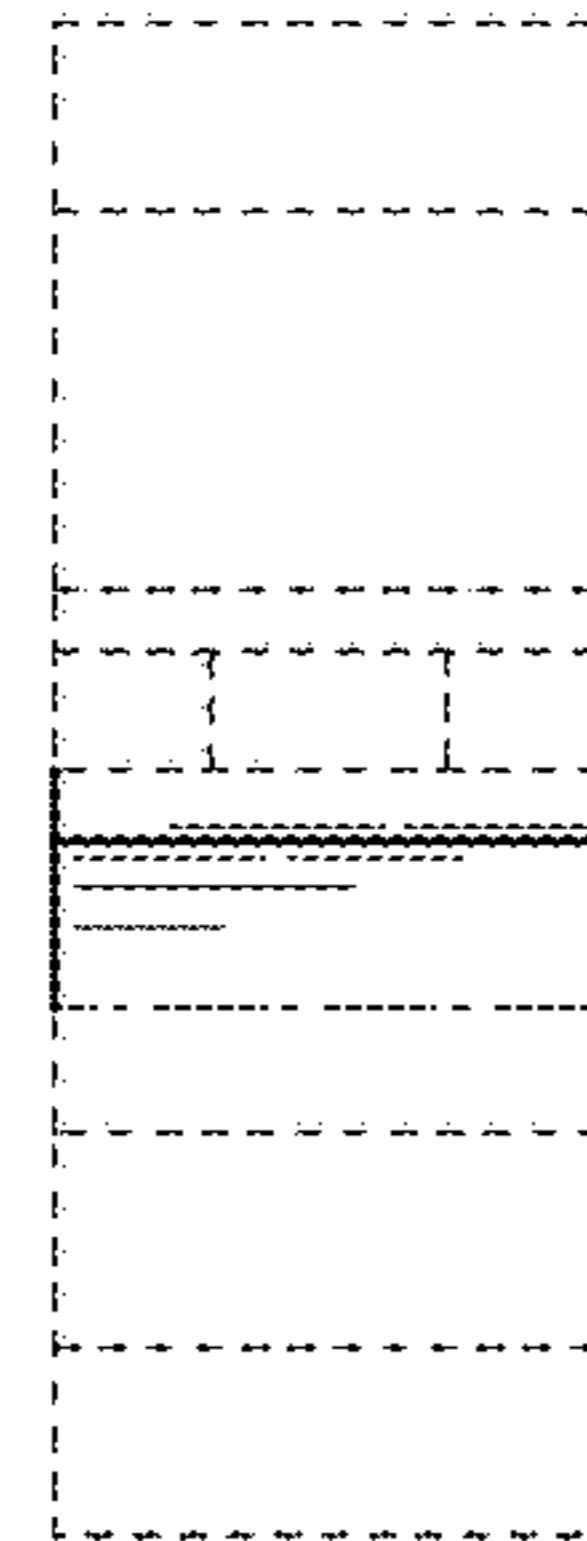


FIG. 3

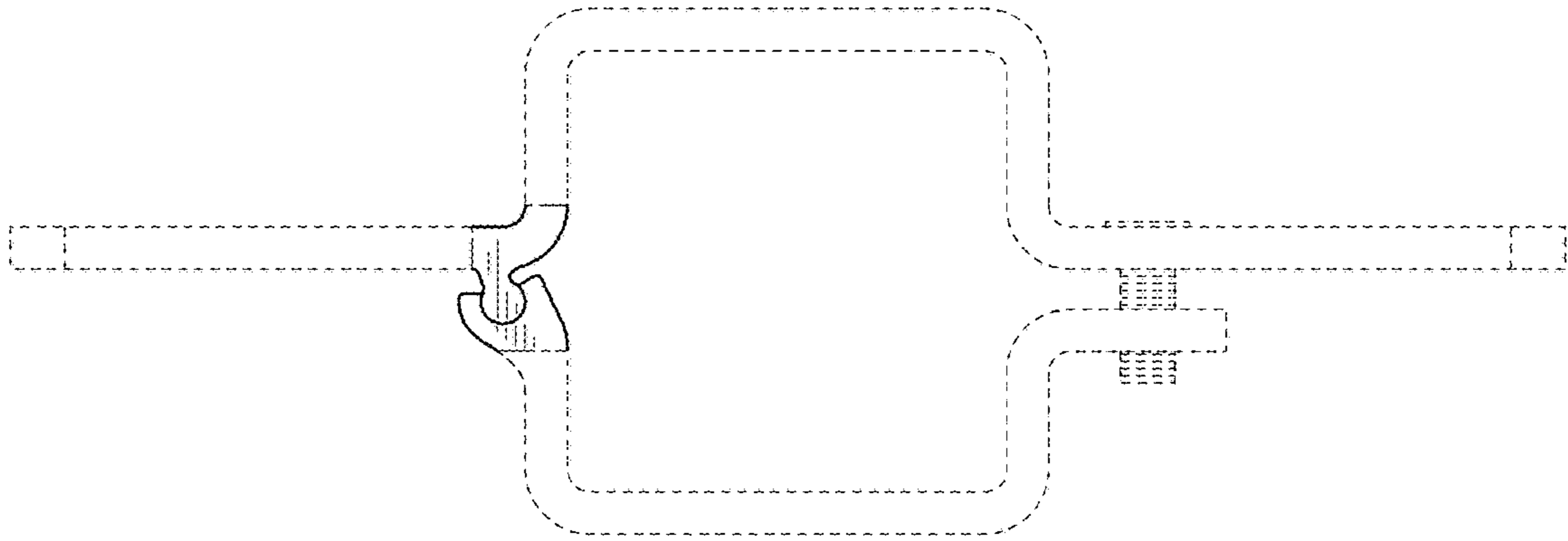


FIG. 4



FIG. 5

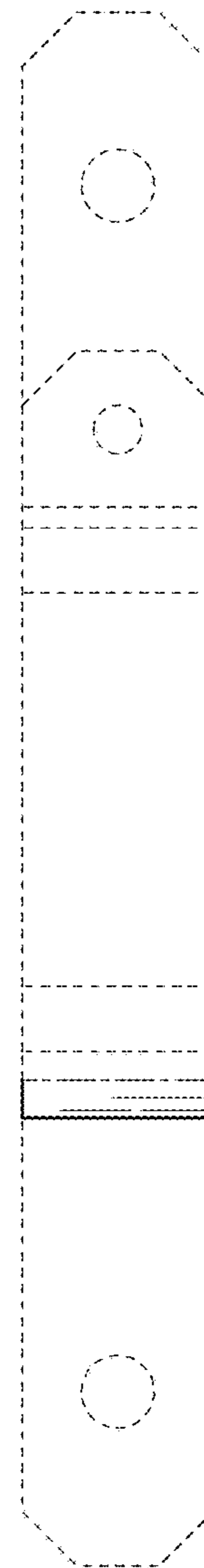


FIG. 6

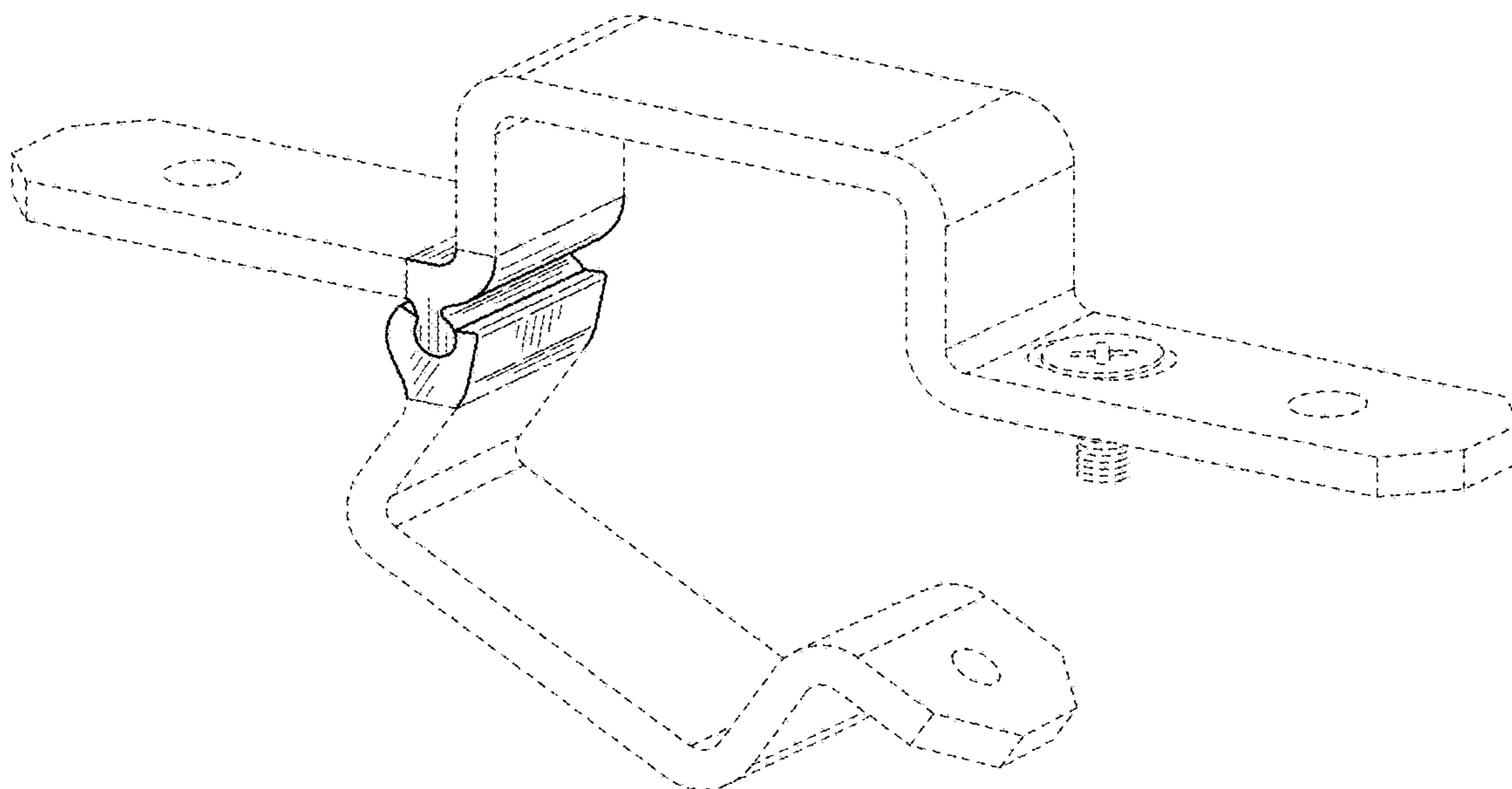


FIG. 7

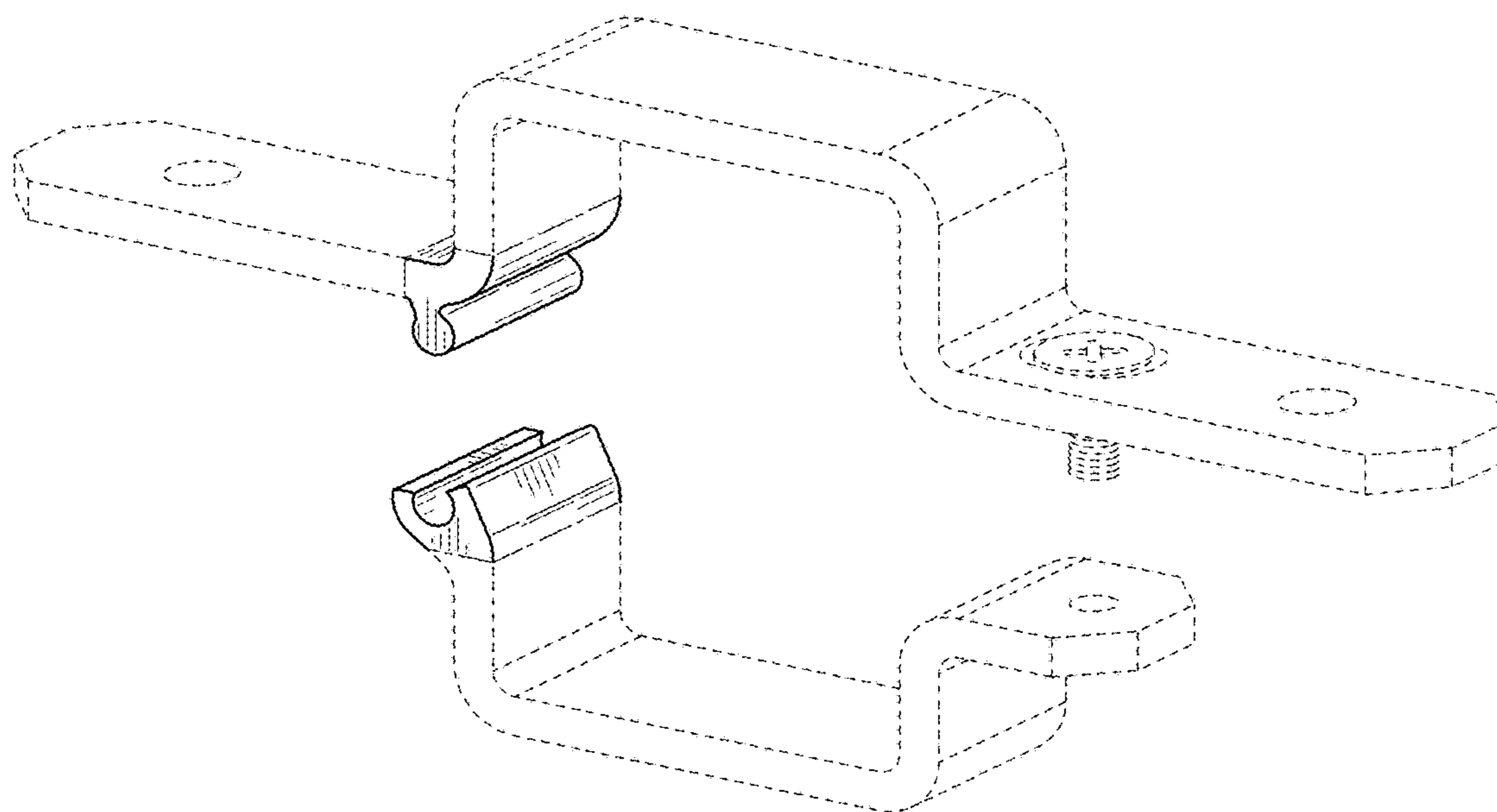


FIG. 8