



US00D784862S

(12) **United States Design Patent** (10) **Patent No.:** **US D784,862 S**
Leonard (45) **Date of Patent:** **** Apr. 25, 2017**

(54) **GAS SPRING END MEMBERS**

D674,325 S * 1/2013 Leonard D12/159
2015/0321530 A1* 11/2015 Leonard B60G 11/27
267/64.27

(71) Applicant: **Firestone Industrial Products Company, LLC**, Indianapolis, IN (US)

* cited by examiner

(72) Inventor: **Joshua R. Leonard**, Noblesville, IN (US)

Primary Examiner — Michael A Pratt

(73) Assignee: **Firestone Industrial Products Company, LLC**, Indianapolis, IN (US)

(74) *Attorney, Agent, or Firm* — Thomas R. Kingsbury; Fay Sharpe LLP

(**) Term: **14 Years**

(57) **CLAIM**

(21) Appl. No.: **29/526,398**

The ornamental design for a gas spring end members, as shown and described.

(22) Filed: **May 8, 2015**

(51) **LOC (10) Cl.** **12-16**

(52) **U.S. Cl.**
USPC **D12/159**

(58) **Field of Classification Search**
USPC D12/159
CPC B60G 11/22; B60G 2204/125; B60G 2202/143; B60G 2202/142; B60G 2204/41; B60G 2202/14; B60G 2206/73; B60W 10/20; B60W 2540/18; B62D 1/046; B62D 1/185; B62D 1/195; B62D 1/187

See application file for complete search history.

DESCRIPTION

FIG. 1 is a top perspective view of a gas spring end member illustrating my new design;
FIG. 2 is a bottom perspective view of the gas spring end member;
FIG. 3 is a top plan view of the gas spring end member;
FIG. 4 is a bottom plan view of the gas spring end member;
FIG. 5 is a right side elevation view of the gas spring end member with the left side elevation view being a mirror image thereof;
FIG. 6 is a front elevation view of the gas spring end member; and,
FIG. 7 is a rear elevation view of the gas spring end member. Features and elements shown in broken line in FIGS. 1-7 are for illustrative purposes only and form no part of the claimed designs.

(56) **References Cited**

U.S. PATENT DOCUMENTS

D673,886 S * 1/2013 Leonard D12/159
D673,887 S * 1/2013 Leonard D12/159

1 Claim, 7 Drawing Sheets

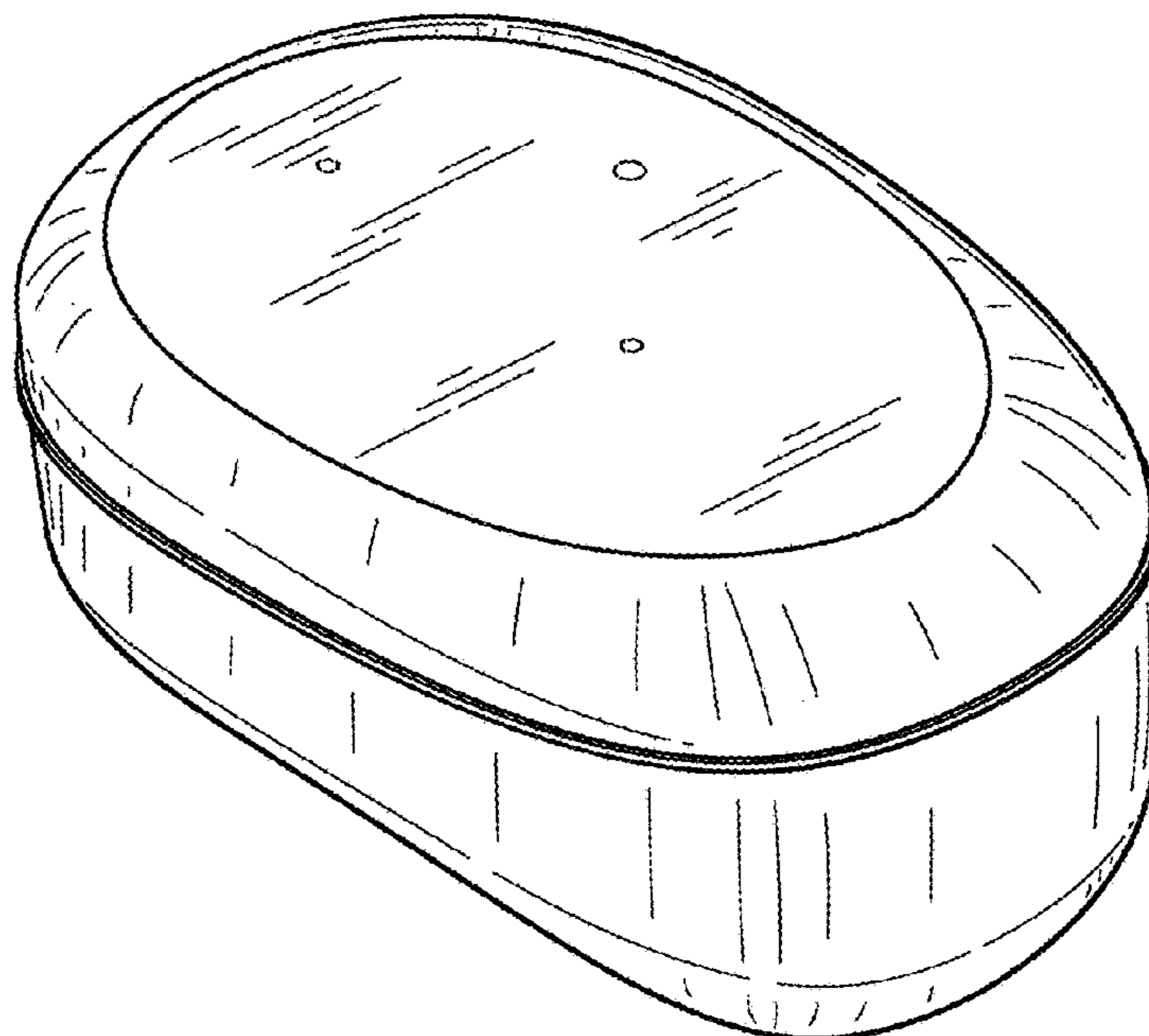


FIG. 1

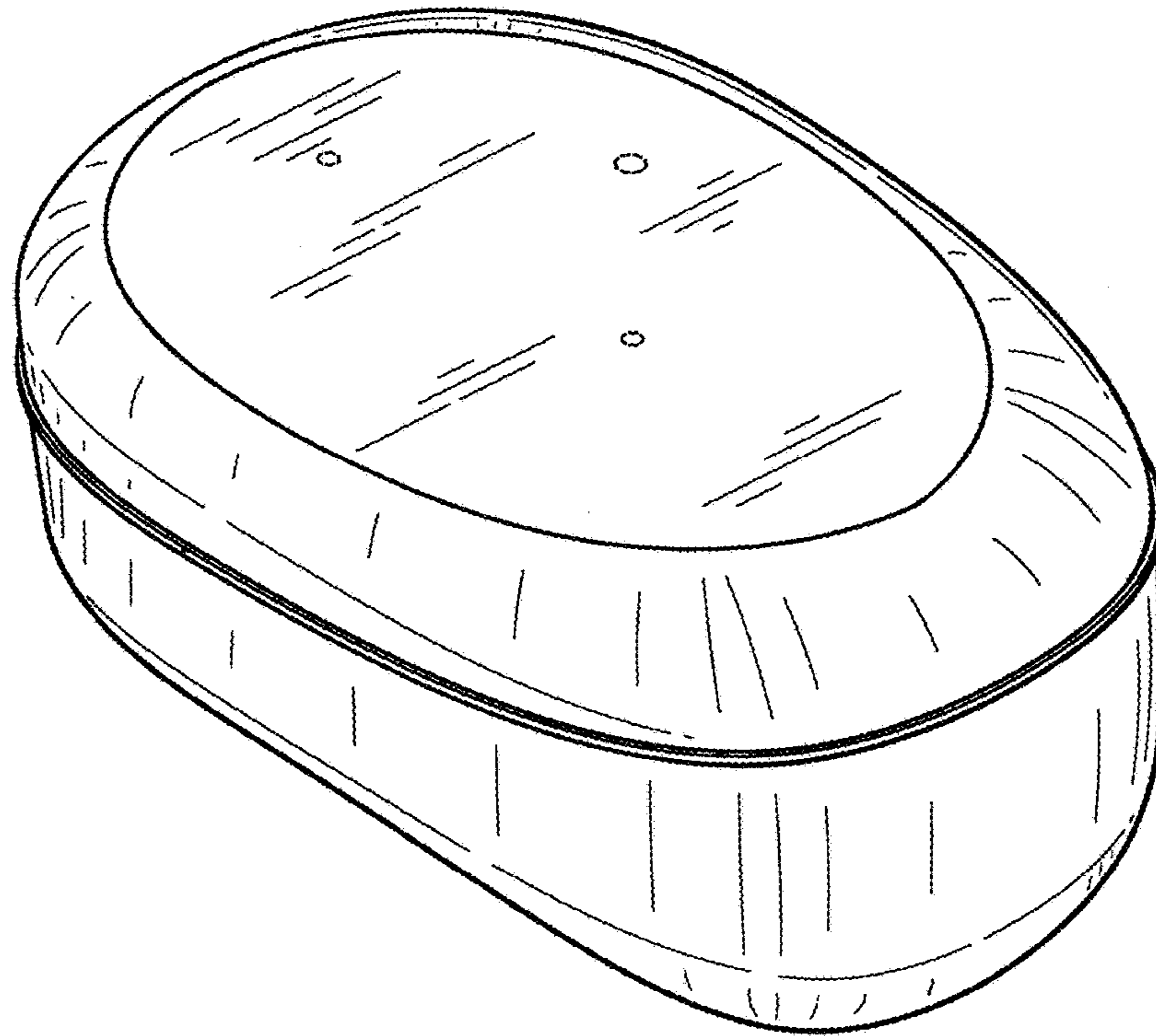


FIG. 2

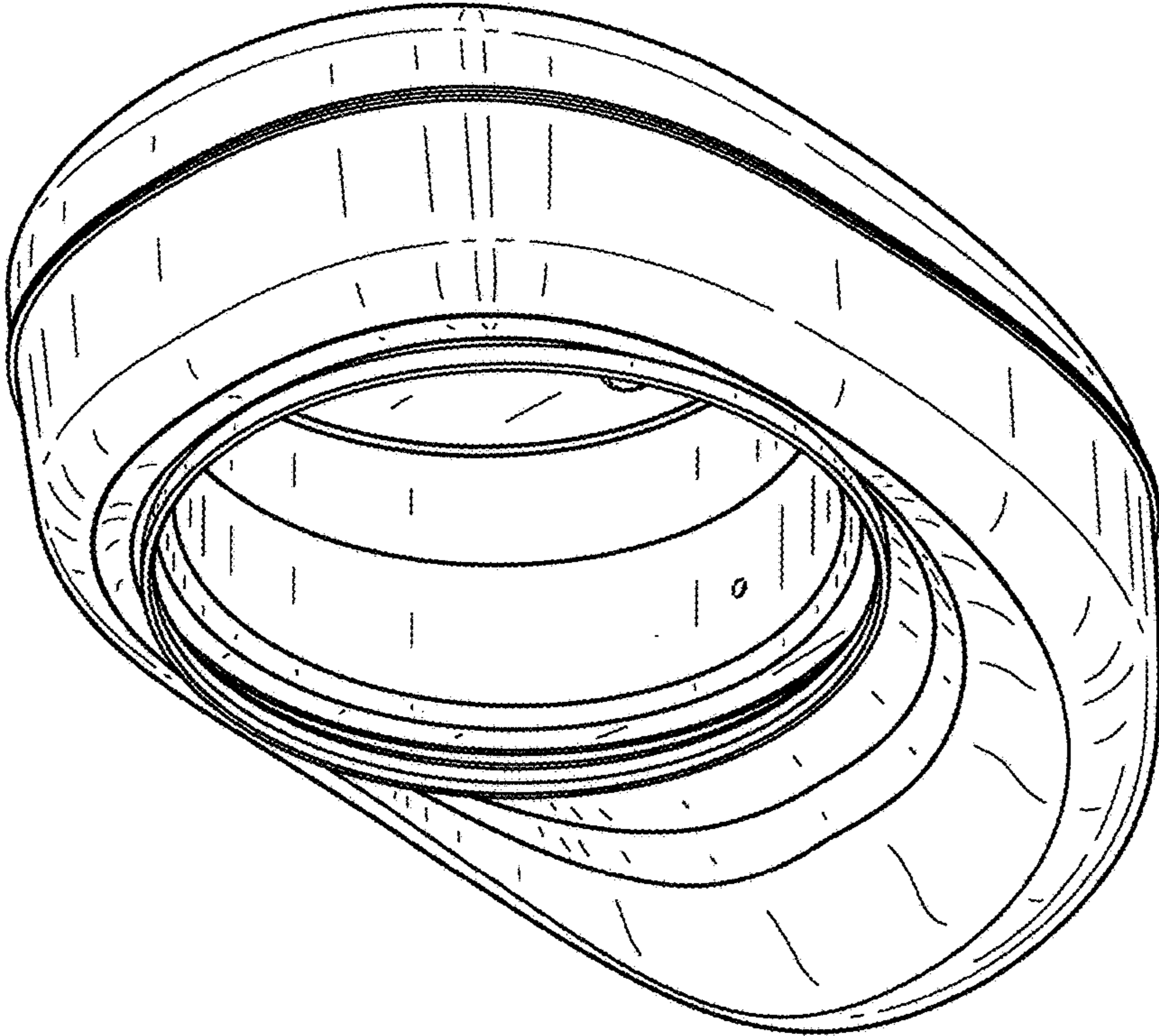


FIG. 3

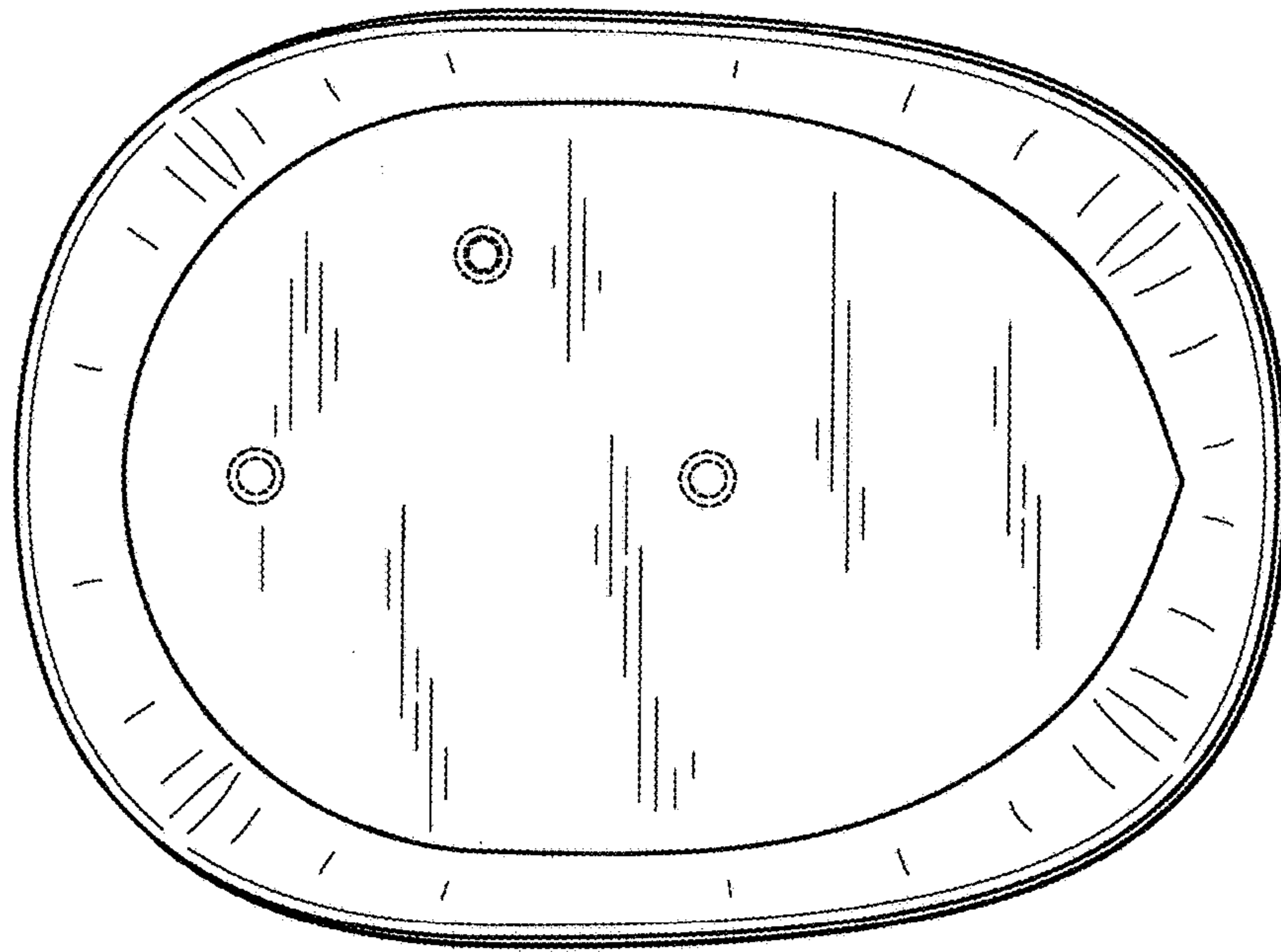


FIG. 4

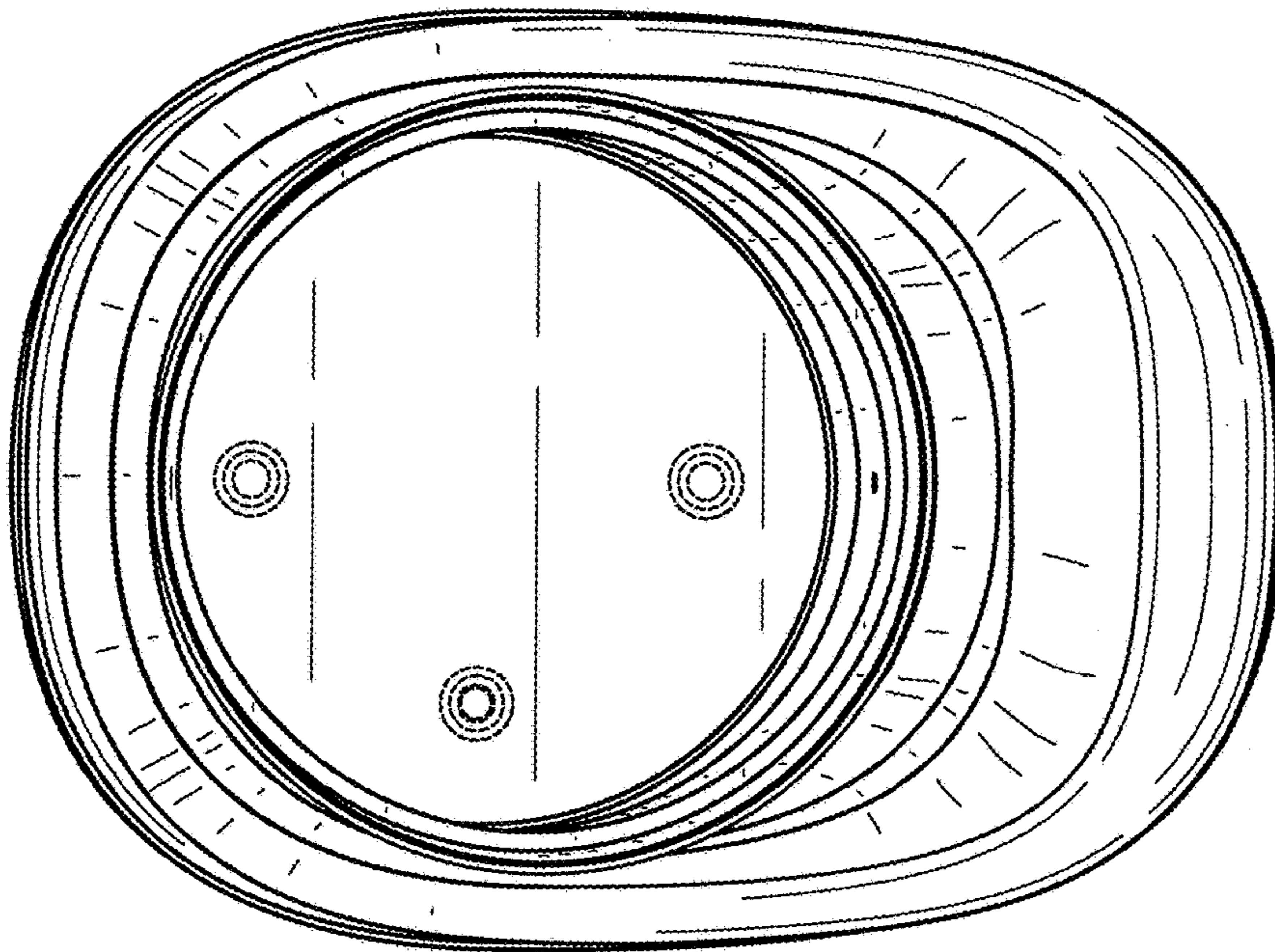


FIG. 5

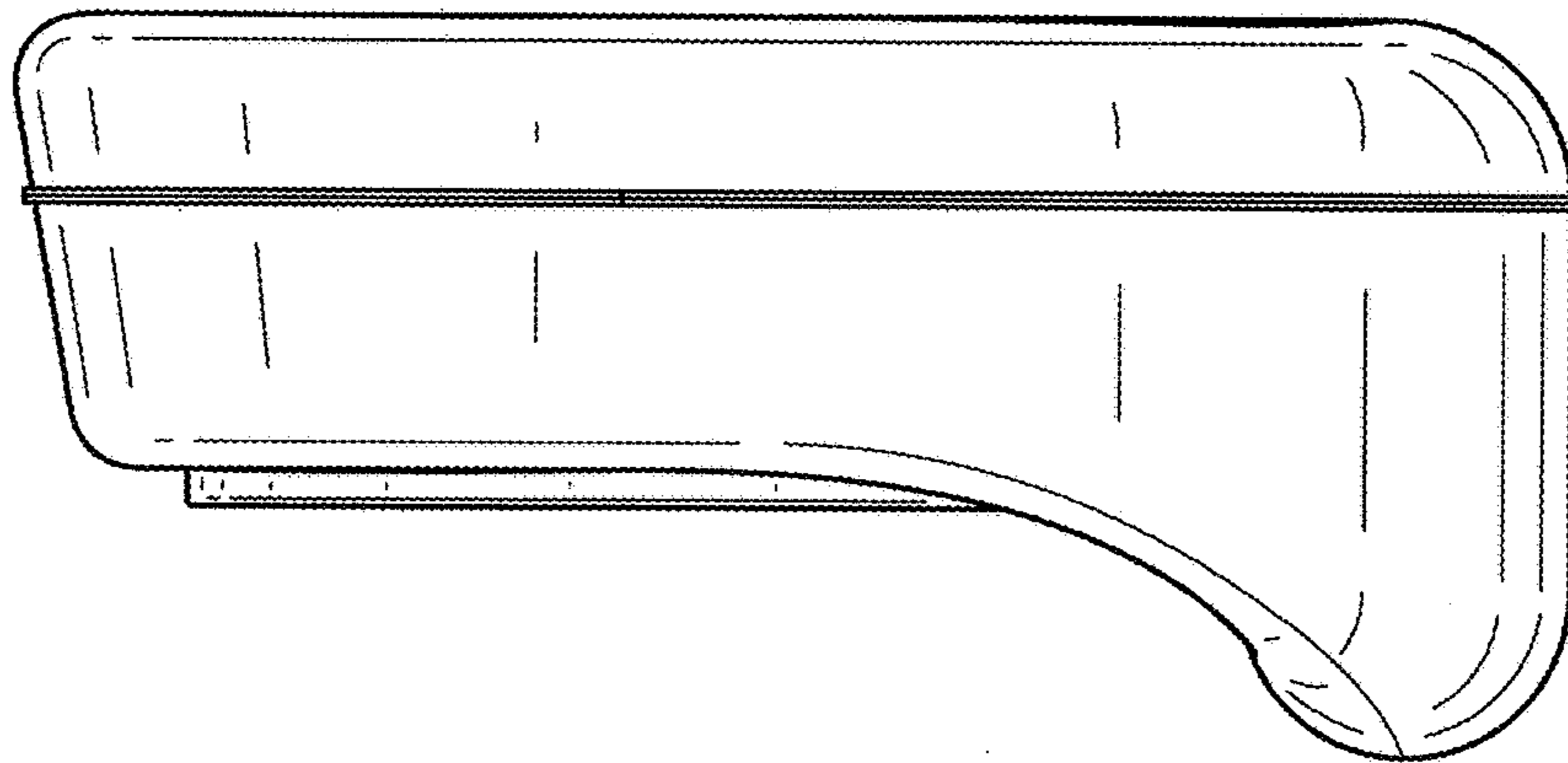


FIG. 6

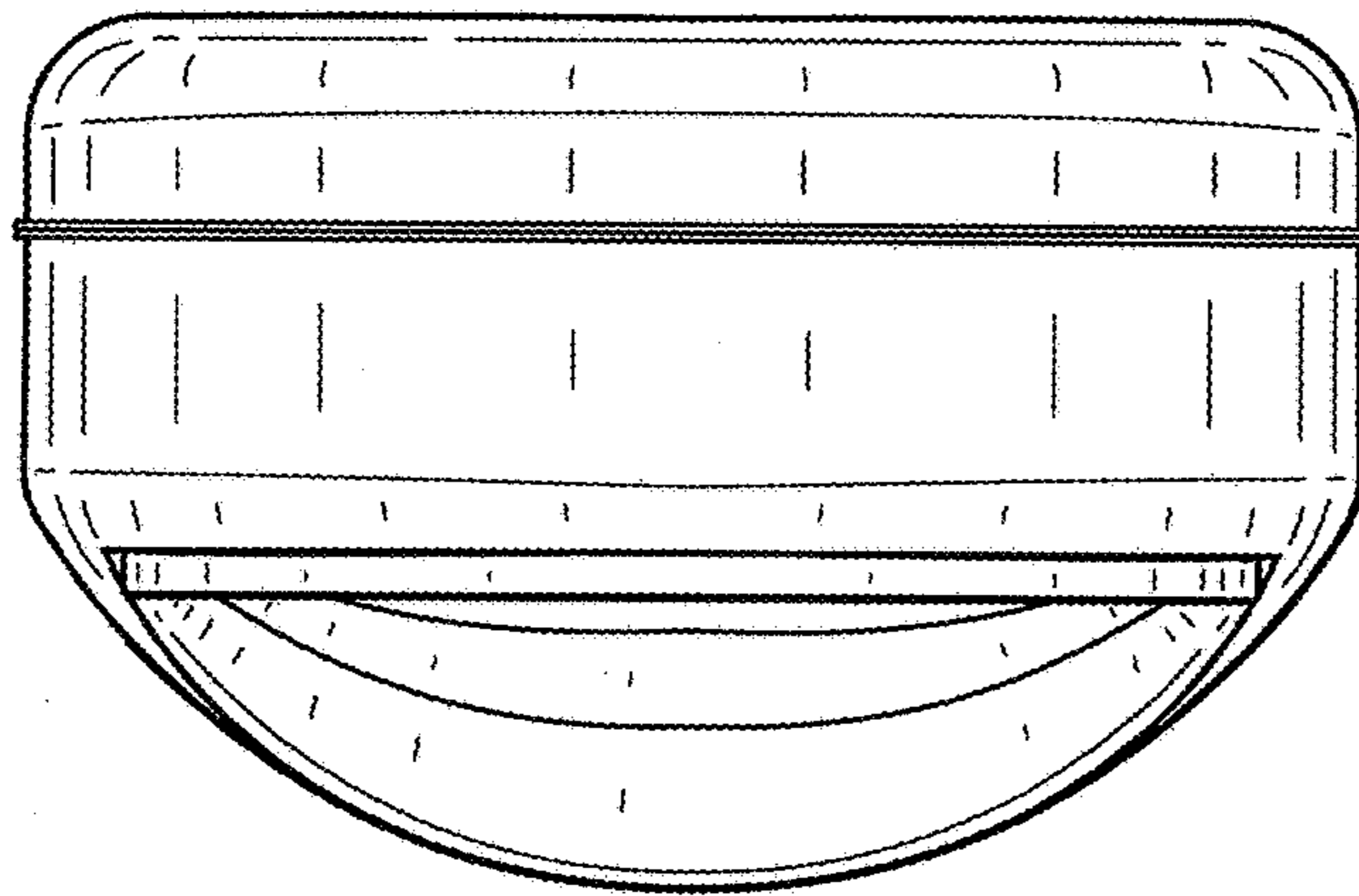


FIG. 7

