

US00D784860S

(12) **United States Design Patent** (10) **Patent No.:** **US D784,860 S**
Matsumura (45) **Date of Patent:** **** Apr. 25, 2017**

(54) **HANDLE SWITCH FOR MOTORCYCLES**

(71) Applicant: **Kawasaki Jukogyo Kabushiki Kaisha,**
Hyogo (JP)

(72) Inventor: **Norikazu Matsumura,** Akashi (JP)

(73) Assignee: **KAWASAKI JUKOGYO**
KABUSHIKI KAISHA, Hyogo (JP)

(**) Term: **14 Years**

(21) Appl. No.: **29/474,852**

(22) Filed: **Feb. 26, 2015**

(30) **Foreign Application Priority Data**

Aug. 29, 2014 (JP) 2014-019126

(51) **LOC (10) Cl.** **12-11**

(52) **U.S. Cl.**
USPC **D12/114**

(58) **Field of Classification Search**
USPC D12/114, 107, 174, 178
CPC ... B62K 11/14; B62K 23/02; H01H 2009/068
See application file for complete search history.

(56) **References Cited**

U.S. PATENT DOCUMENTS

D265,816 S * 8/1982 Matre D12/114
4,641,723 A * 2/1987 Takanashi B62K 11/14
180/219
D534,843 S * 1/2007 Higashi D12/174
D556,645 S * 12/2007 Madden D12/126
D575,203 S * 8/2008 Madden D12/126

D591,652 S * 5/2009 Reed D12/174
D599,262 S * 9/2009 Reed D12/174
D619,944 S * 7/2010 Shimizugami D12/179
D729,710 S * 5/2015 Iwata D12/174
2007/0051552 A1* 3/2007 Reed B62K 11/14
180/333
2011/0108397 A1* 5/2011 Kodaira B62K 11/14
200/61.54
2013/0140154 A1* 6/2013 Tozuka H01H 9/06
200/61.54
2014/0284187 A1* 9/2014 Kikuchi B62K 11/14
200/61.85

* cited by examiner

Primary Examiner — George D Kirschbaum
Assistant Examiner — Clese Moore, Jr.

(57) **CLAIM**

The ornamental design for a handle switch for motorcycles, as shown and described.

DESCRIPTION

FIG. 1 is a front elevational view of a handle switch for motorcycles showing my new design;
FIG. 2 is a rear elevational view thereof;
FIG. 3 is a left side elevational view thereof;
FIG. 4 is a right side elevational view thereof;
FIG. 5 is a top plan view thereof;
FIG. 6 is a bottom plan view thereof;
FIG. 7 is a front right perspective view thereof; and,
FIG. 8 is a rear left perspective view thereof.
The dark and light grayed surfaces shown on the surface of the design drawings do not represent a color nor a design pattern and only represent shading features on the surface of the ornamental design.

1 Claim, 8 Drawing Sheets

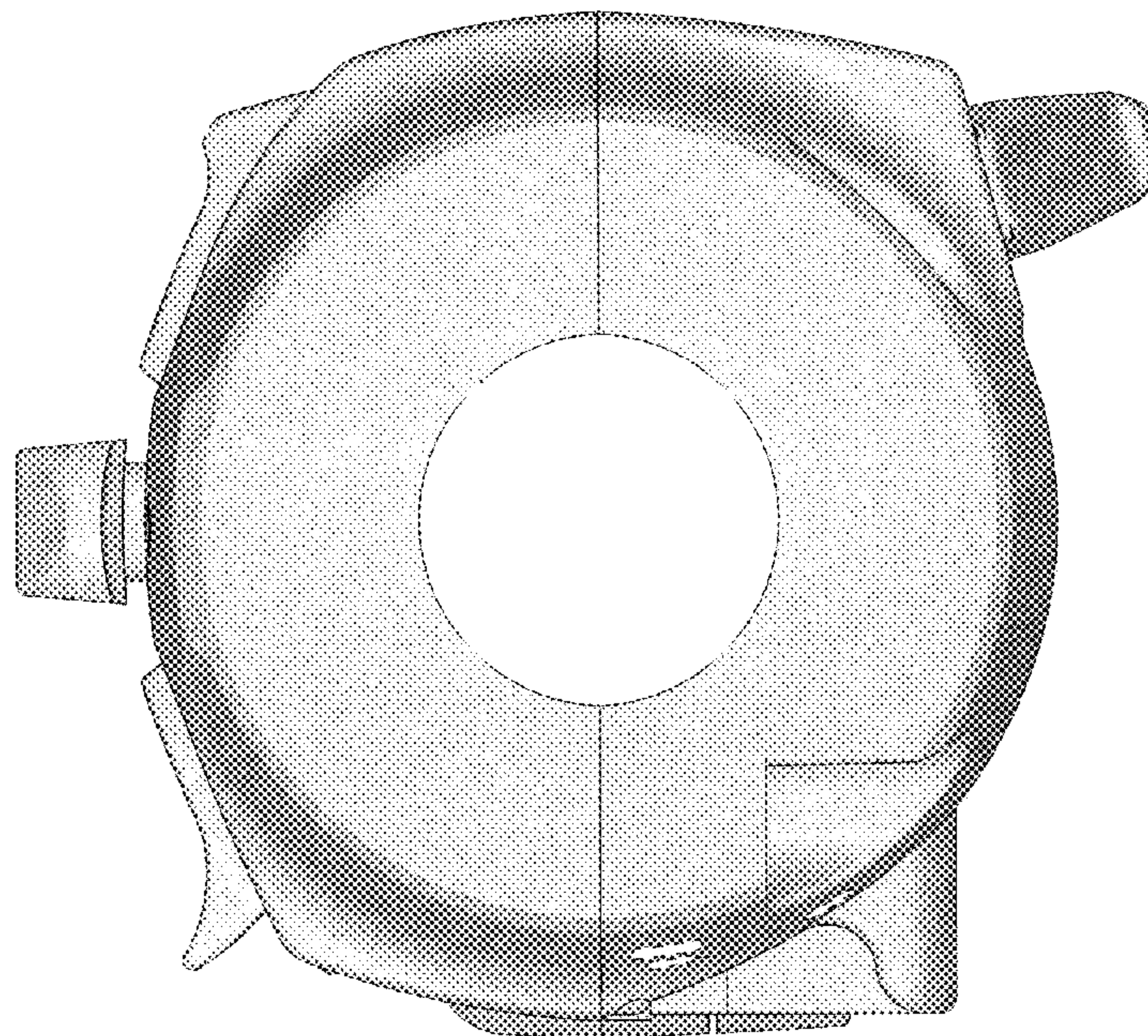


Fig. 1

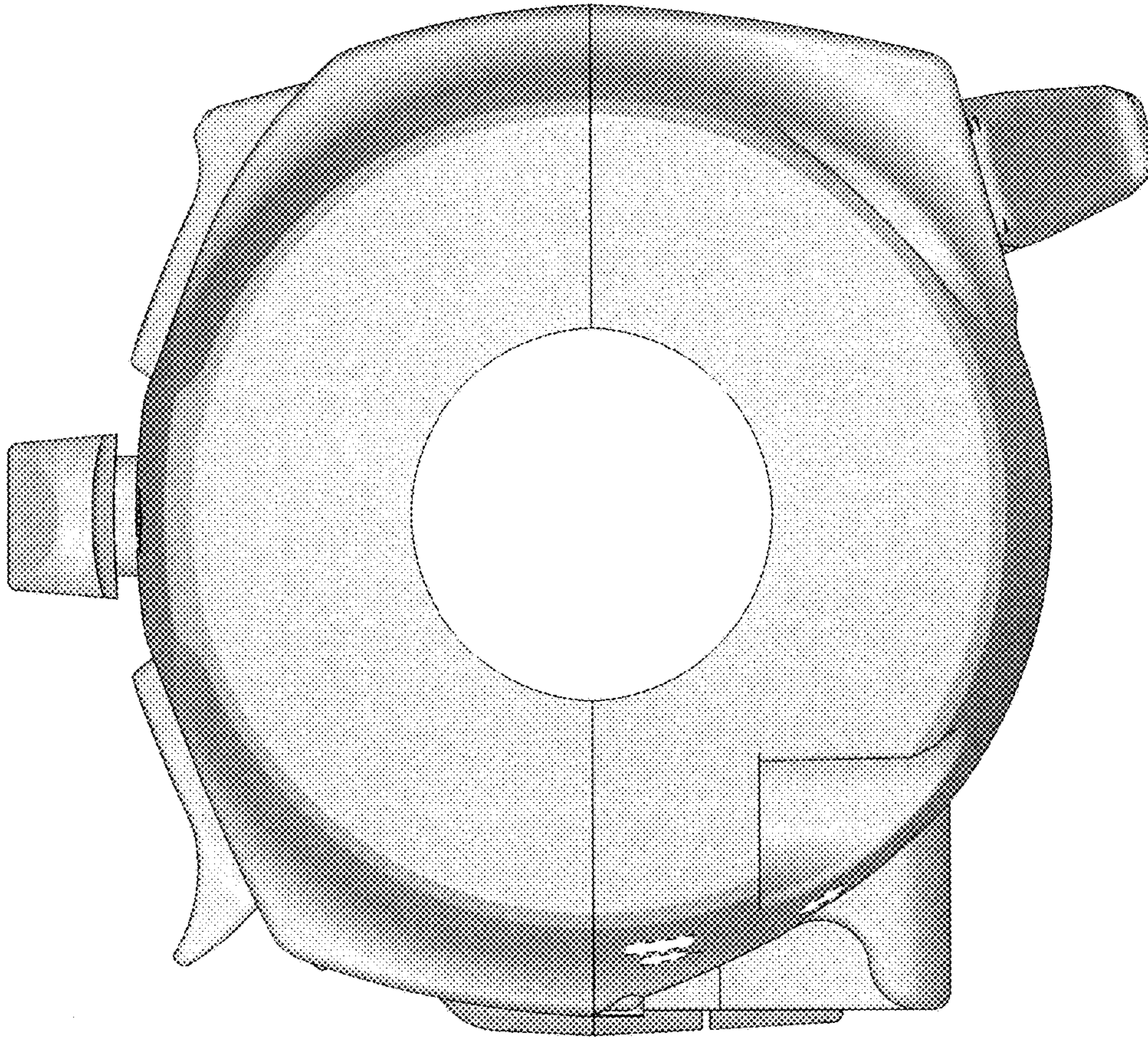


Fig. 2

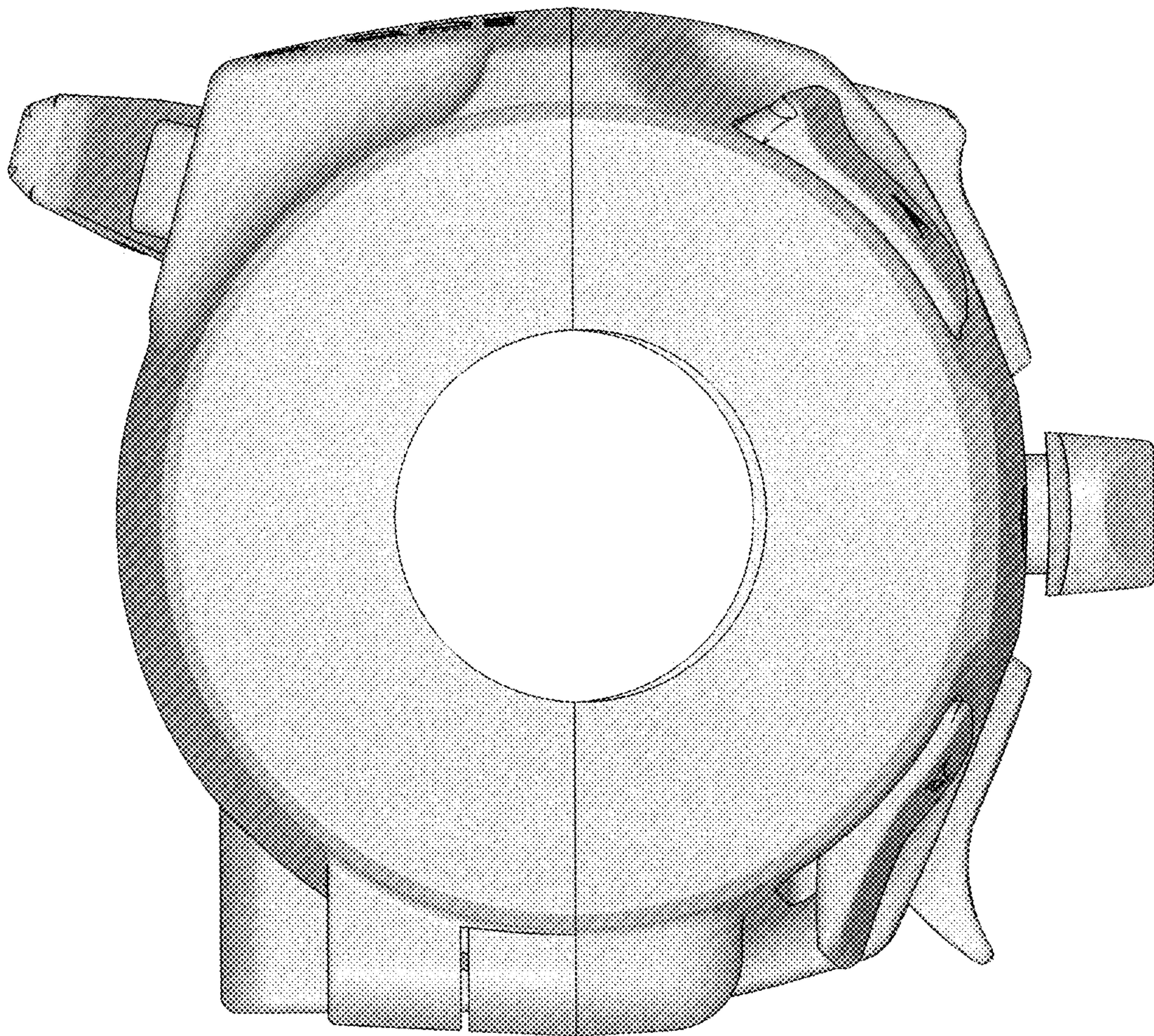


Fig. 3

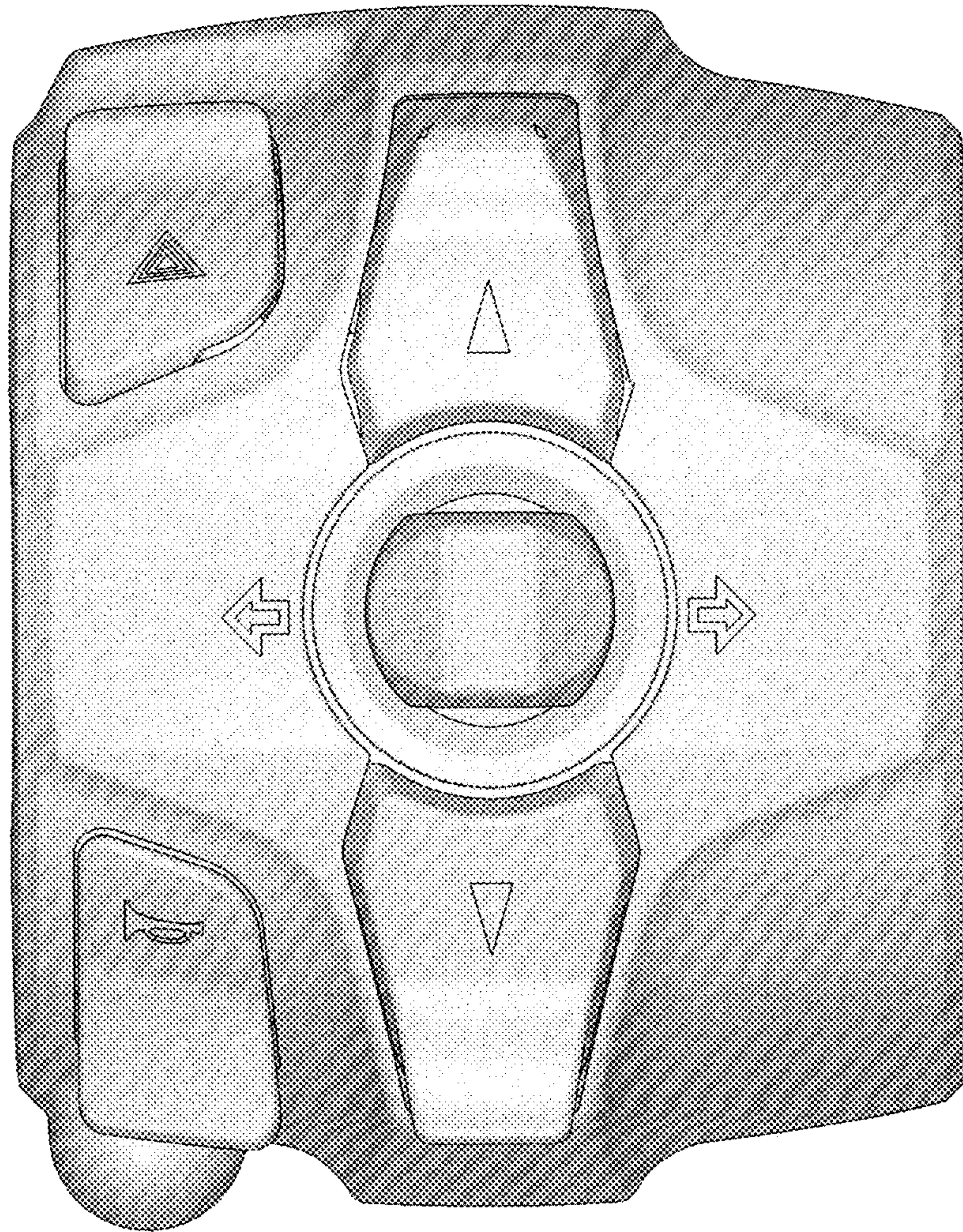


Fig. 4

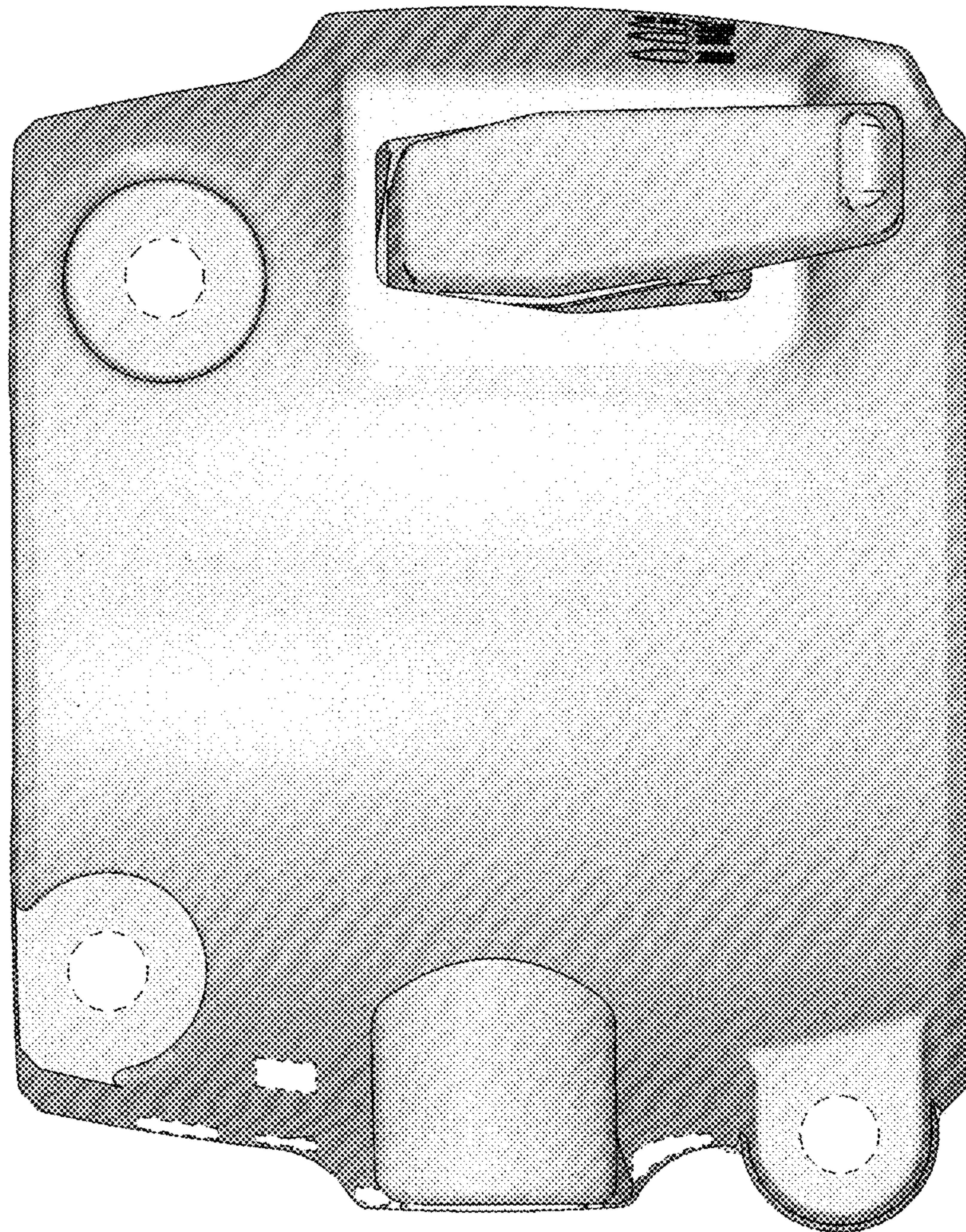


Fig. 5

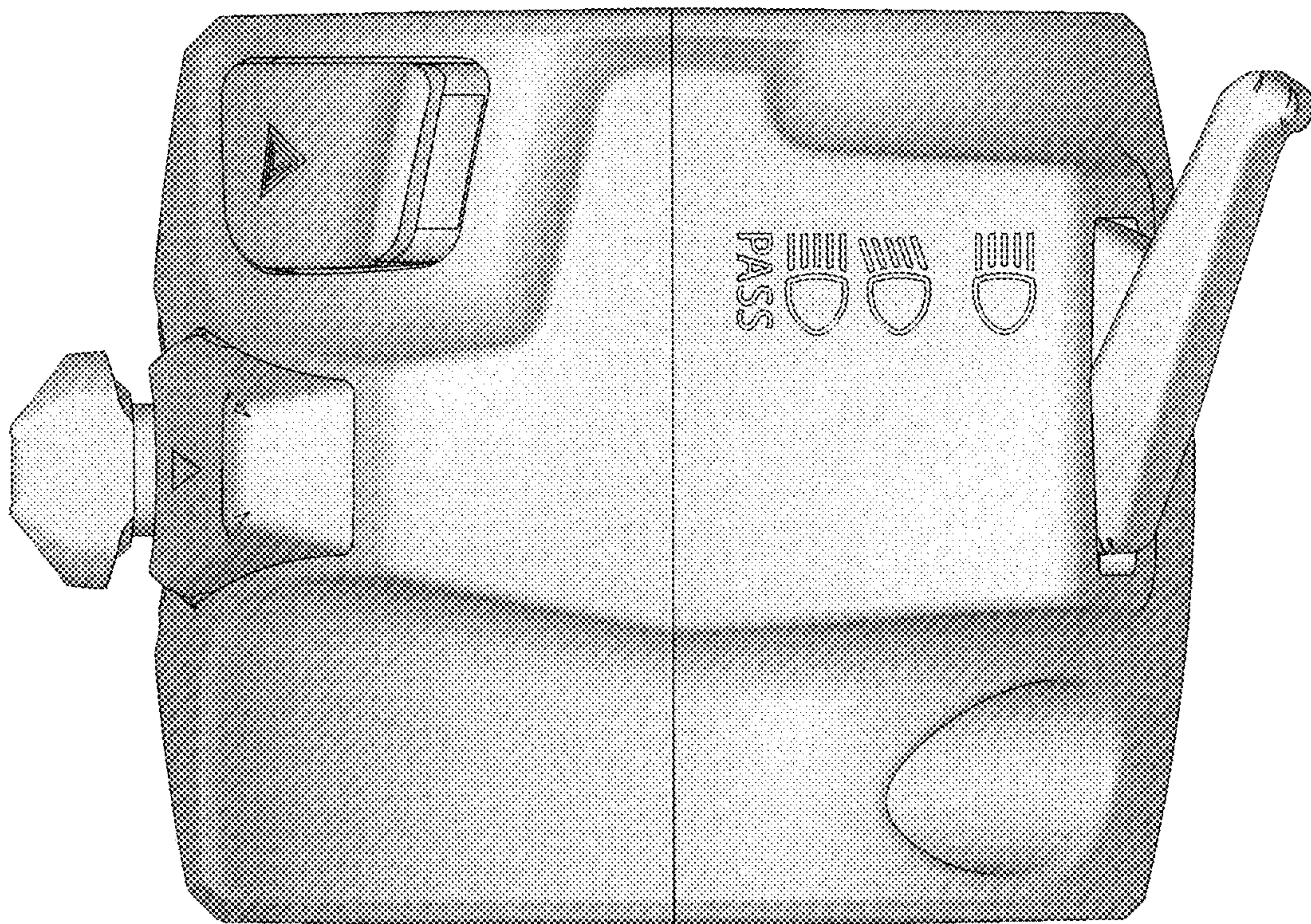


Fig. 6

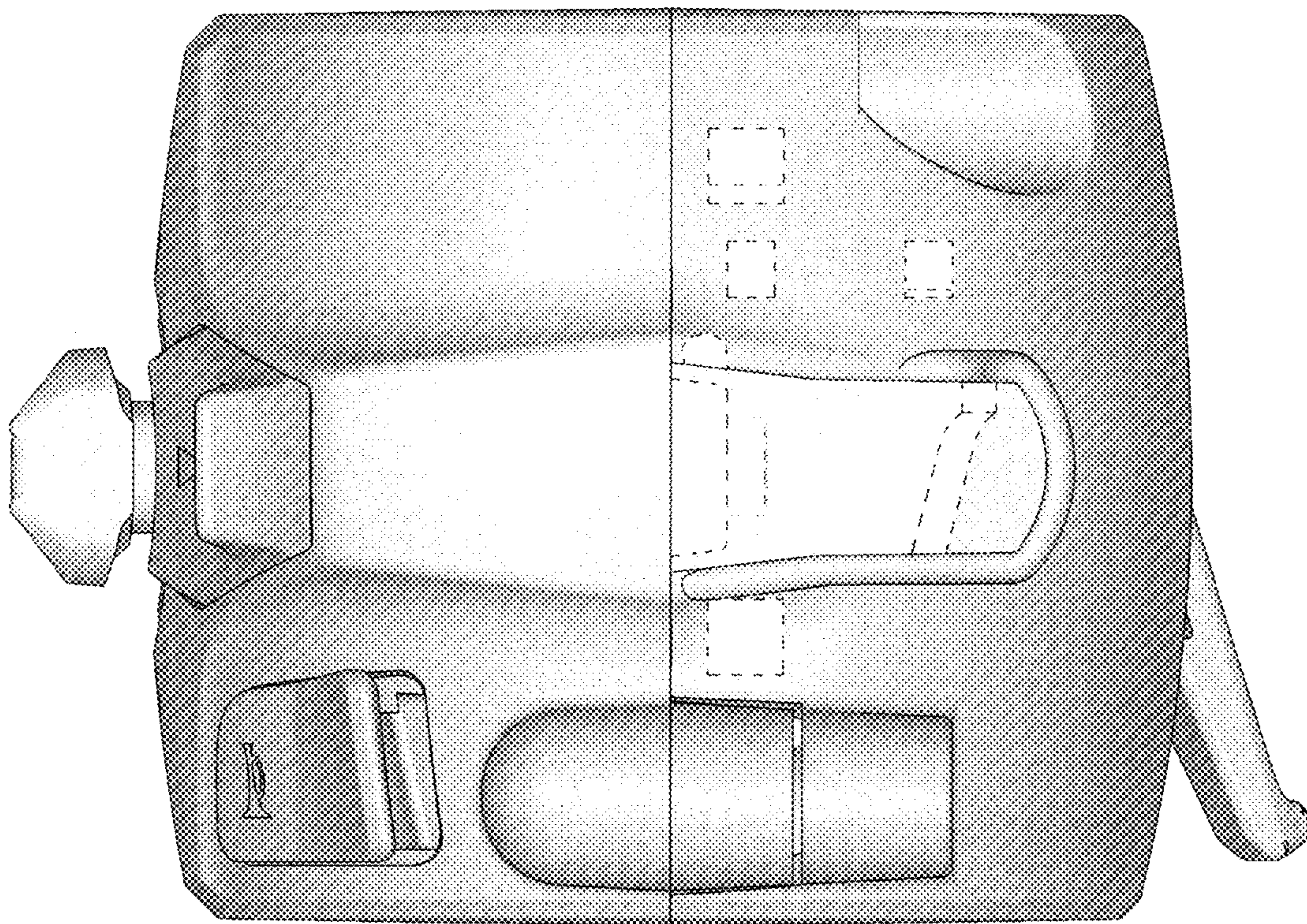


Fig. 7

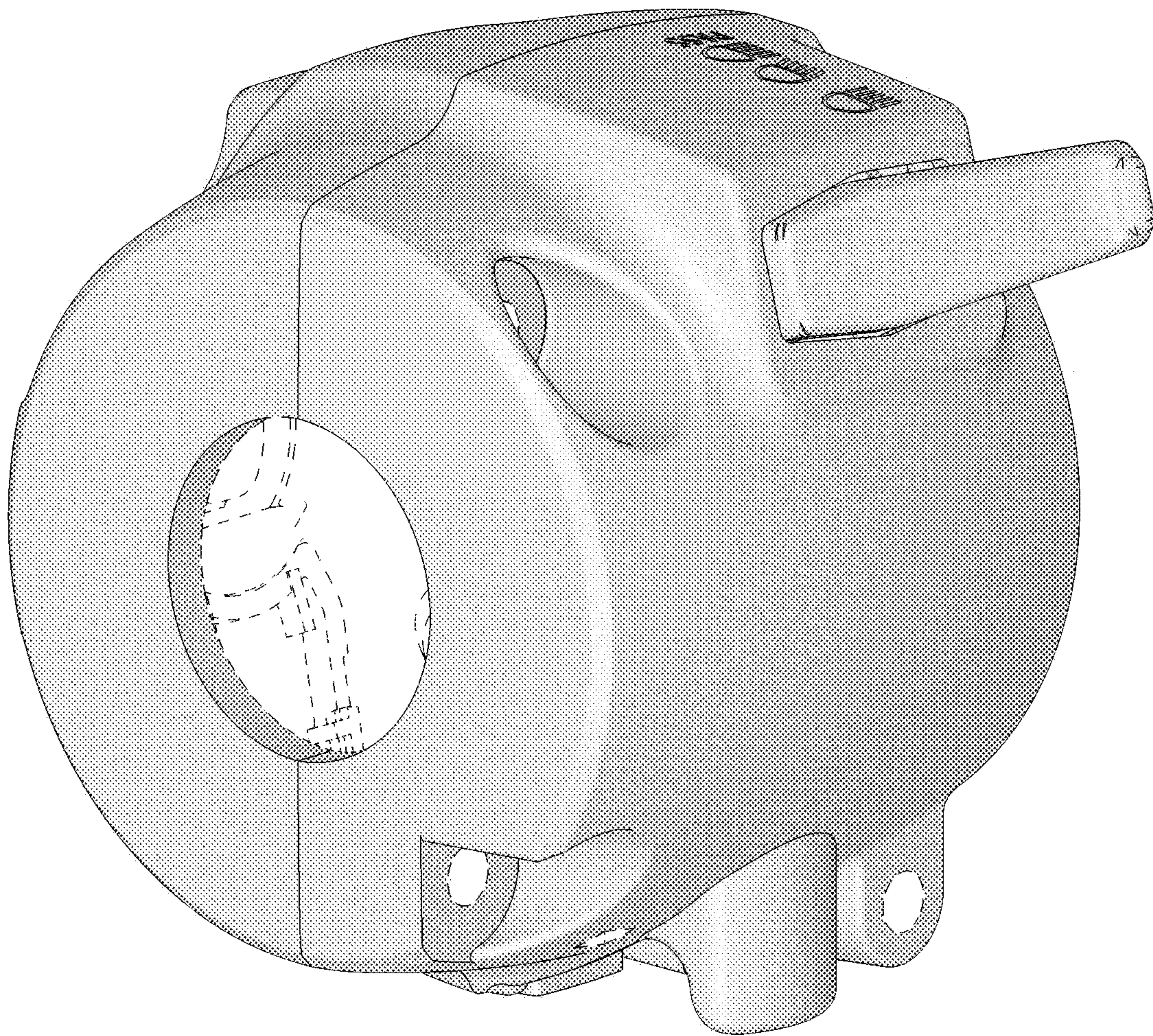


Fig. 8

