



US00D784858S

(12) **United States Design Patent**  
**Juhlin et al.**

(10) **Patent No.:** **US D784,858 S**

(45) **Date of Patent:** **\*\* Apr. 25, 2017**

(54) **BICYCLE**

(71) Applicant: **Inter IKEA Systems B.V.**, Delft (NL)

(72) Inventors: **Oskar Juhlin**, Bromma (SE); **Kristian Eke**, Bromma (SE); **Jan Puranen**, Bromma (SE)

(73) Assignee: **INTER IKEA SYSTEMS B.V.** (NL)

(\*\*) Term: **15 Years**

(21) Appl. No.: **29/533,296**

(22) Filed: **Jul. 15, 2015**

(30) **Foreign Application Priority Data**

Jan. 16, 2015 (EM) ..... 002614735

(51) **LOC (10) Cl.** ..... **12-11**

(52) **U.S. Cl.**  
USPC ..... **D12/111**

(58) **Field of Classification Search**

USPC ..... D12/111, 117; 280/274–280, 281.1,  
280/283–288, 288.1–288.4

CPC ..... B62K 3/00; B62K 3/02; B62K 3/06  
See application file for complete search history.

(56) **References Cited**

**U.S. PATENT DOCUMENTS**

5,064,212 A \* 11/1991 Yun ..... B62K 3/02  
280/261  
D363,050 S \* 10/1995 Wang ..... D12/111

D377,465 S \* 1/1997 Kciuk ..... D12/111  
D398,562 S \* 9/1998 Coker ..... D12/111  
D502,673 S \* 3/2005 Schlick ..... D12/111  
D504,359 S \* 4/2005 Okada ..... D12/111  
D512,347 S \* 12/2005 Tiyawatchalapong ..... D12/111  
D540,716 S \* 4/2007 Mohr ..... D12/111  
D551,130 S \* 9/2007 Pizzi ..... D12/111  
D621,303 S \* 8/2010 Tanaka ..... D12/111  
D640,607 S \* 6/2011 Schoonhoven ..... D12/111  
D688,600 S \* 8/2013 Kamler ..... D12/111  
D719,489 S \* 12/2014 Yang ..... D12/111

\* cited by examiner

*Primary Examiner* — Darlington Ly

(74) *Attorney, Agent, or Firm* — Condo Roccia Koptiw LLP

(57) **CLAIM**

The ornamental design for a bicycle, as shown and described.

**DESCRIPTION**

FIG. 1 is a perspective view of a bicycle embodying our new design;

FIG. 2 is a left side elevation view of the bicycle of FIG. 1; FIG. 3 is a right side elevation view of the bicycle of FIG. 1;

FIG. 4 is a bottom plan view of the bicycle of FIG. 1;

FIG. 5 is a top plan view of the bicycle of FIG. 1

FIG. 6 is a front elevation view of the bicycle of FIG. 1; and, FIG. 7 is a rear elevation view of the bicycle of FIG. 1.

**1 Claim, 7 Drawing Sheets**



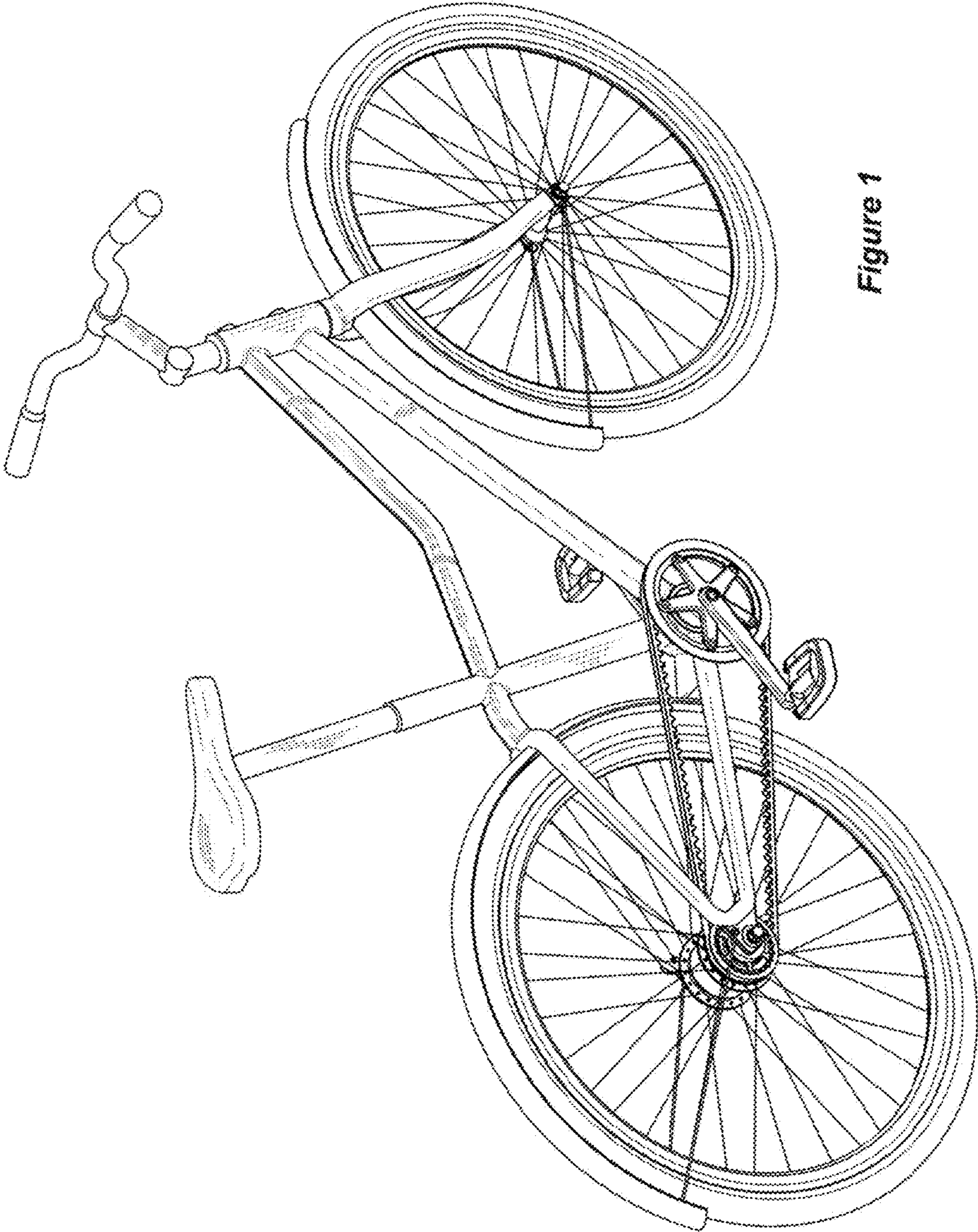


Figure 1

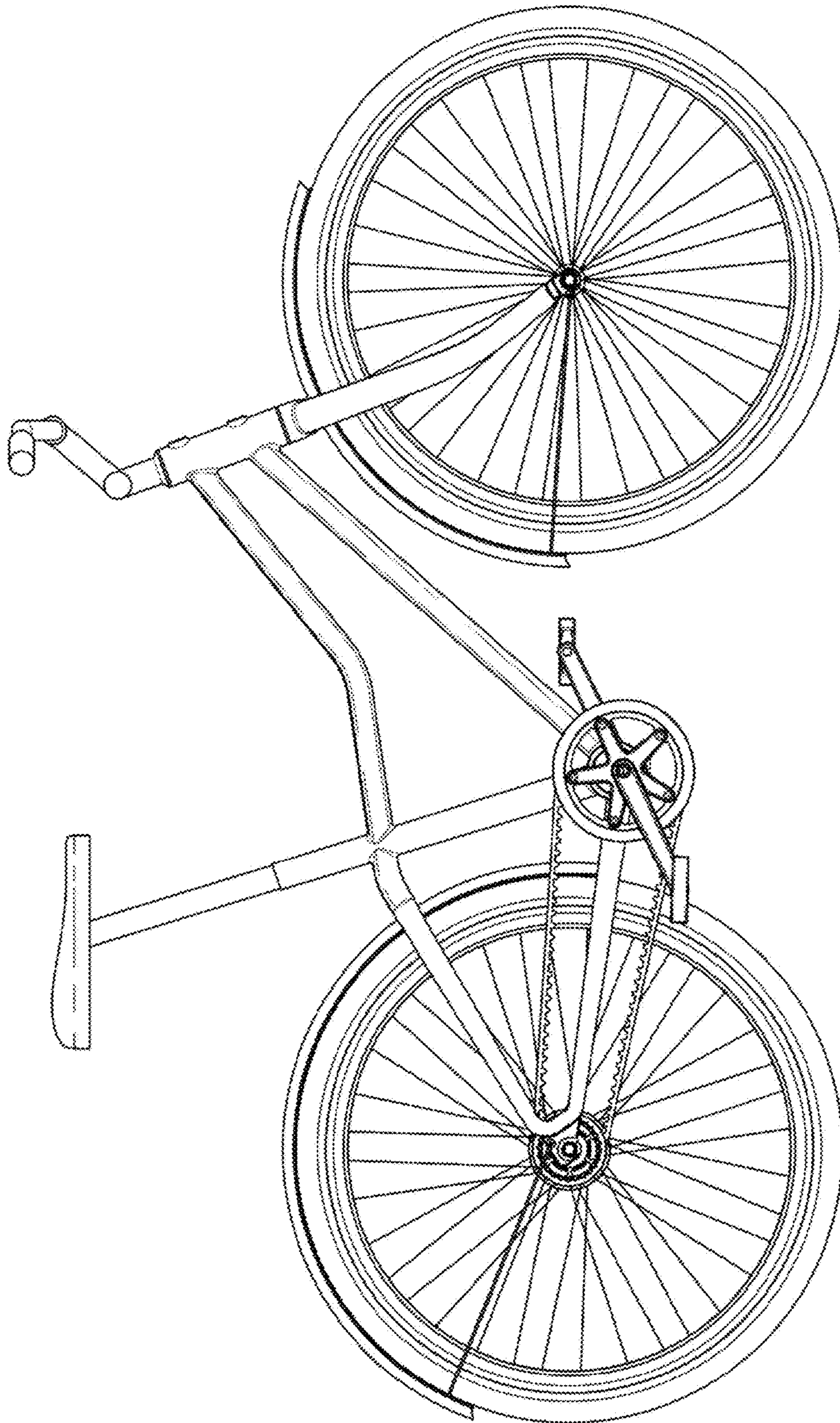


Figure 2

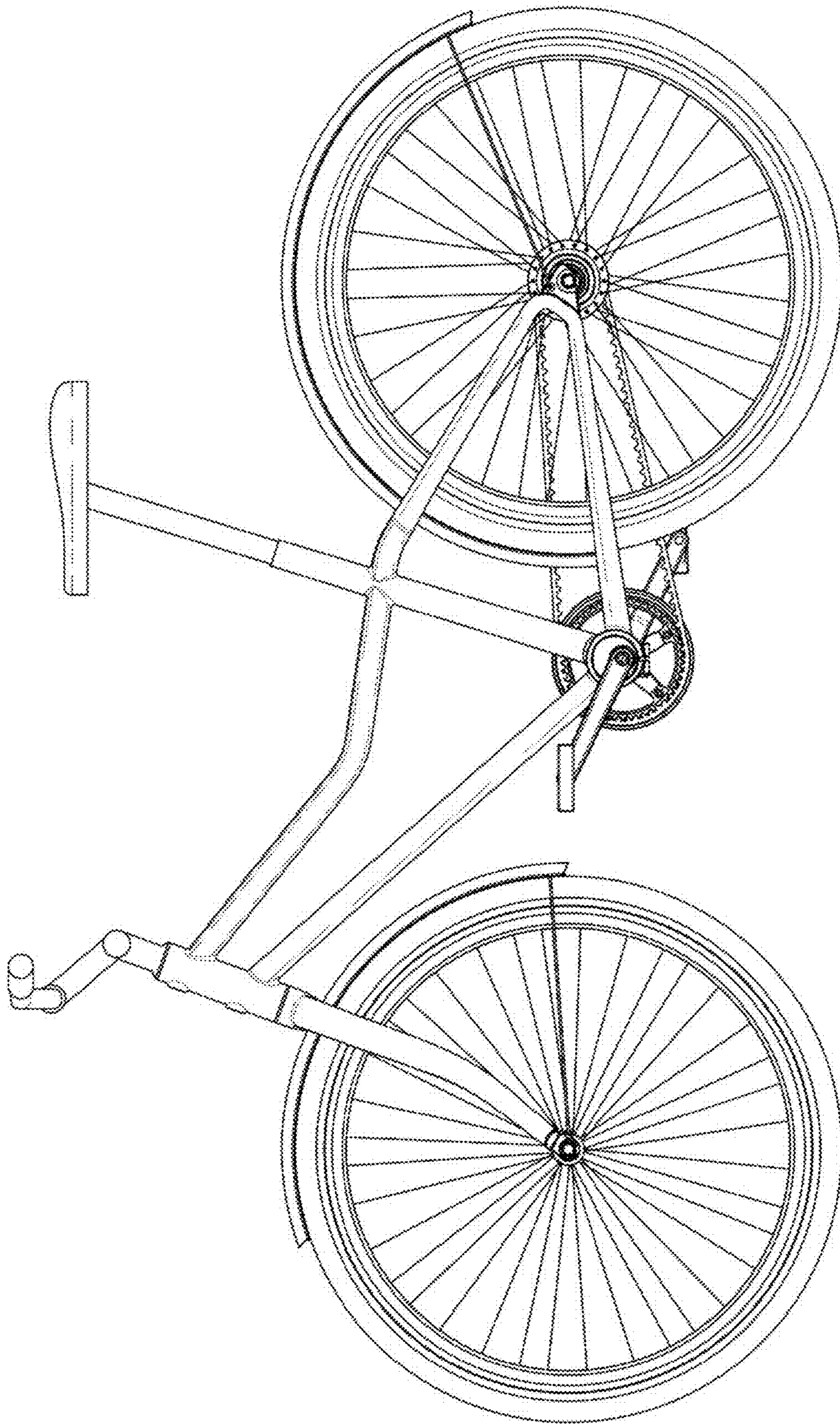


Figure 3

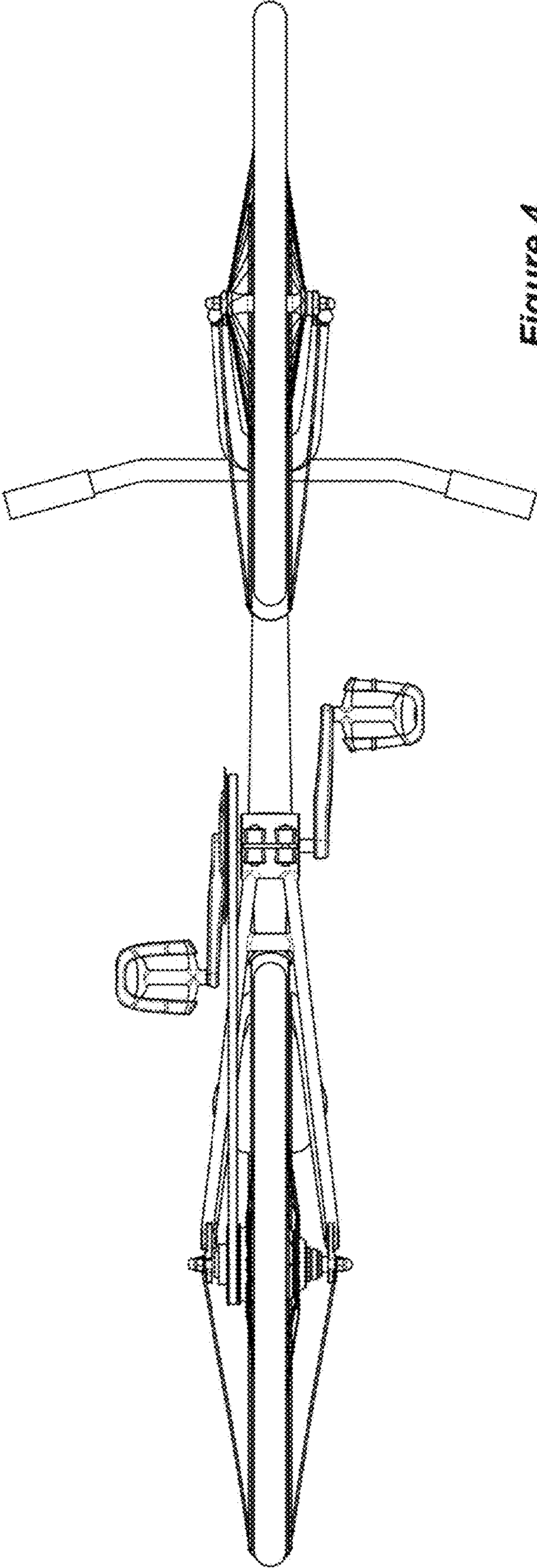


Figure 4

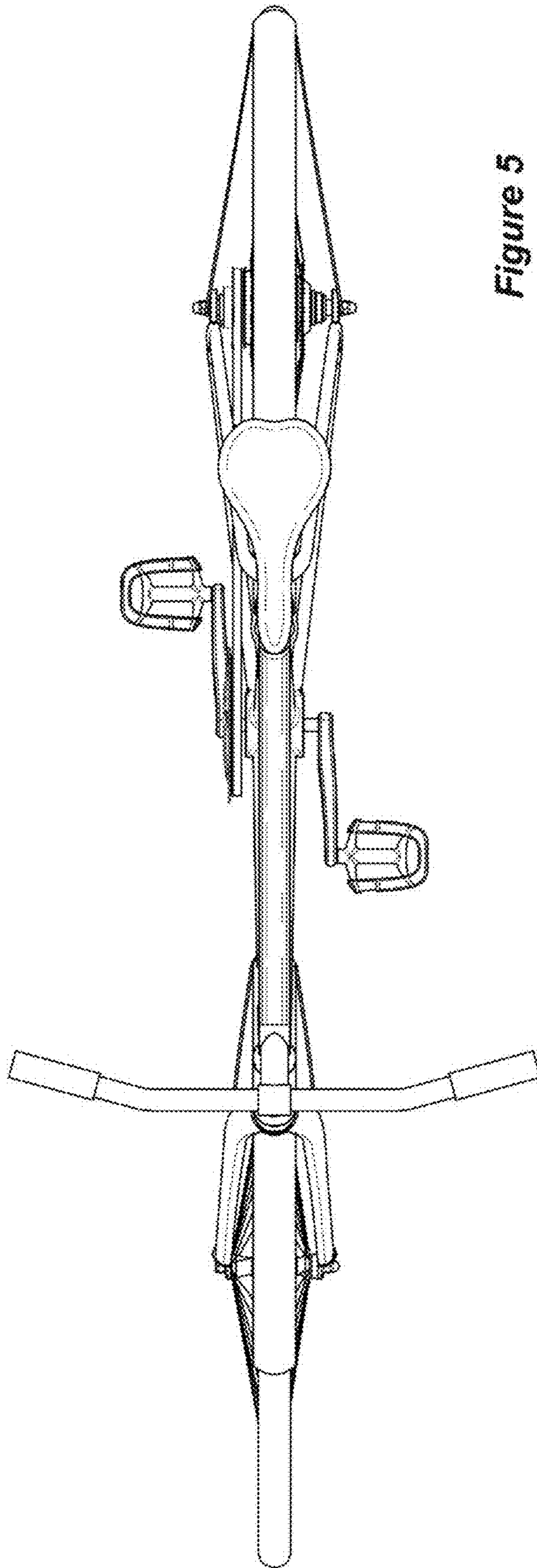
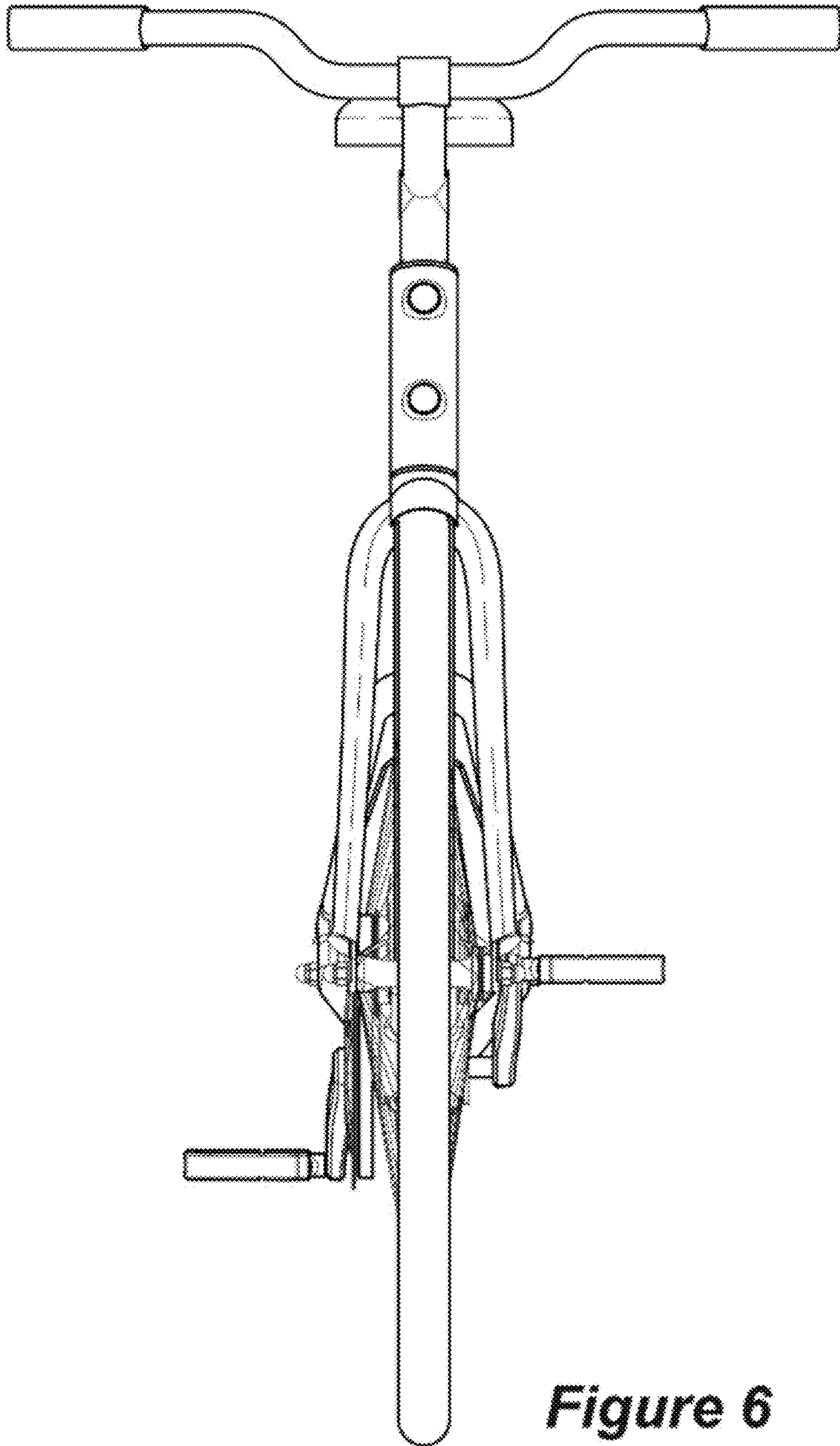
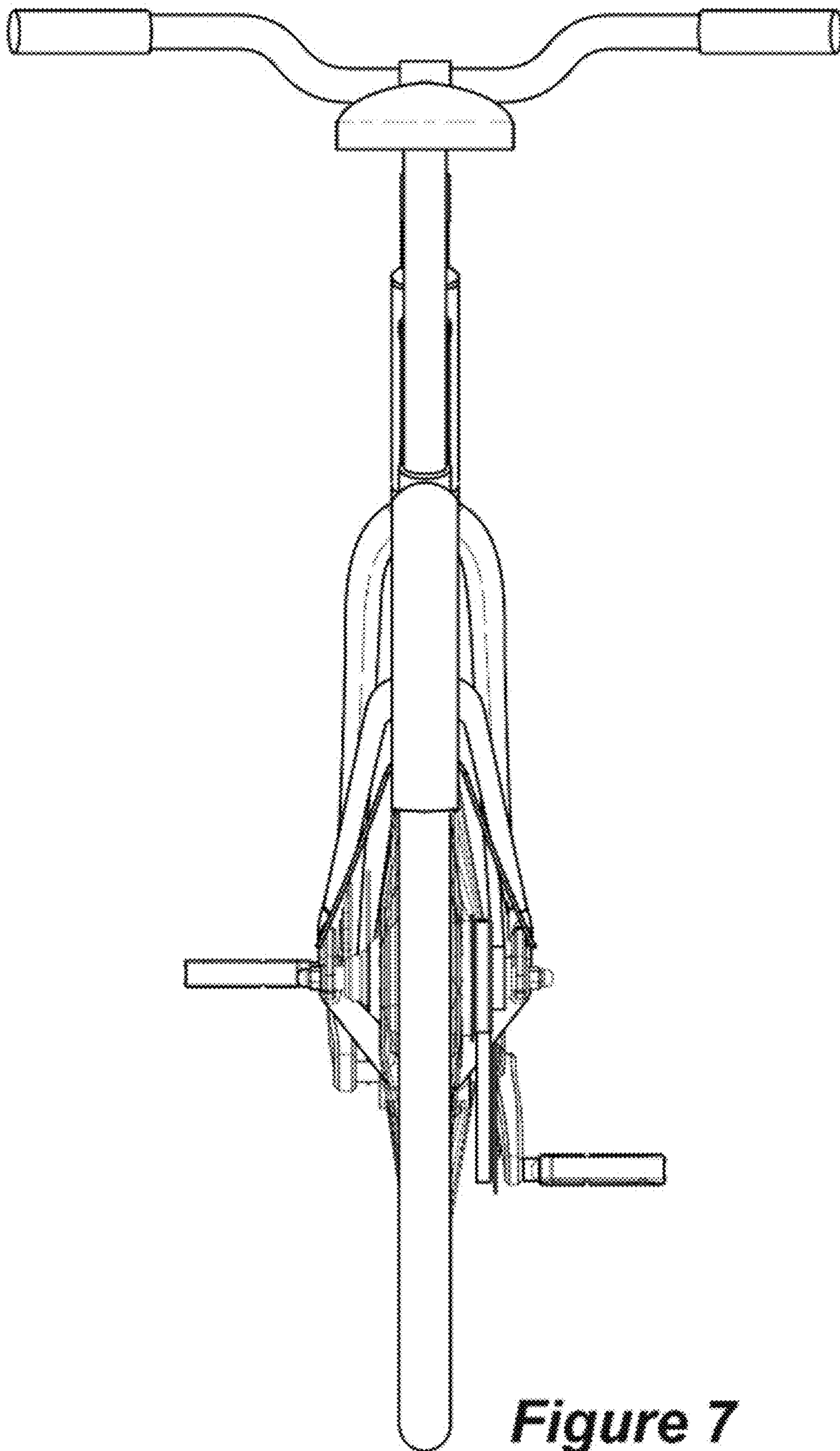


Figure 5



**Figure 6**



**Figure 7**