



US00D784857S

(12) **United States Design Patent**
Ishii et al.

(10) **Patent No.:** **US D784,857 S**
(45) **Date of Patent:** **** Apr. 25, 2017**

(54) **AUTOMOBILE**

(71) Applicant: **HONDA MOTOR CO., LTD.**, Tokyo (JP)

(72) Inventors: **Yuki Ishii**, Wako (JP); **Keisuke Asai**, Wako (JP)

(73) Assignee: **HONDA MOTOR CO., LTD.**, Tokyo (JP)

(**) Term: **15 Years**

(21) Appl. No.: **29/548,085**

(22) Filed: **Dec. 10, 2015**

(30) **Foreign Application Priority Data**

Jun. 16, 2015 (JP) 2015-013285

(51) **LOC (10) Cl.** **12-08**

(52) **U.S. Cl.**
USPC **D12/91**

(58) **Field of Classification Search**
USPC D12/86, 90-92, 88; D21/424, 433, 434, D21/533; 296/181.1, 181.5, 181.3
CPC B60R 9/06; B62D 35/00
See application file for complete search history.

(56) **References Cited**

U.S. PATENT DOCUMENTS

D691,073 S *	10/2013	Takahashi	D12/164
D728,422 S *	5/2015	Minami	D12/91
D742,281 S *	11/2015	Ishii	D12/91
D744,377 S *	12/2015	Minami	D12/91
D761,693 S *	7/2016	Lian	D12/91
D770,941 S *	11/2016	Jeon	D12/91

* cited by examiner

Primary Examiner — Melody N Brown

(74) *Attorney, Agent, or Firm* — Westerman, Hattori, Daniels & Adrian, LLP

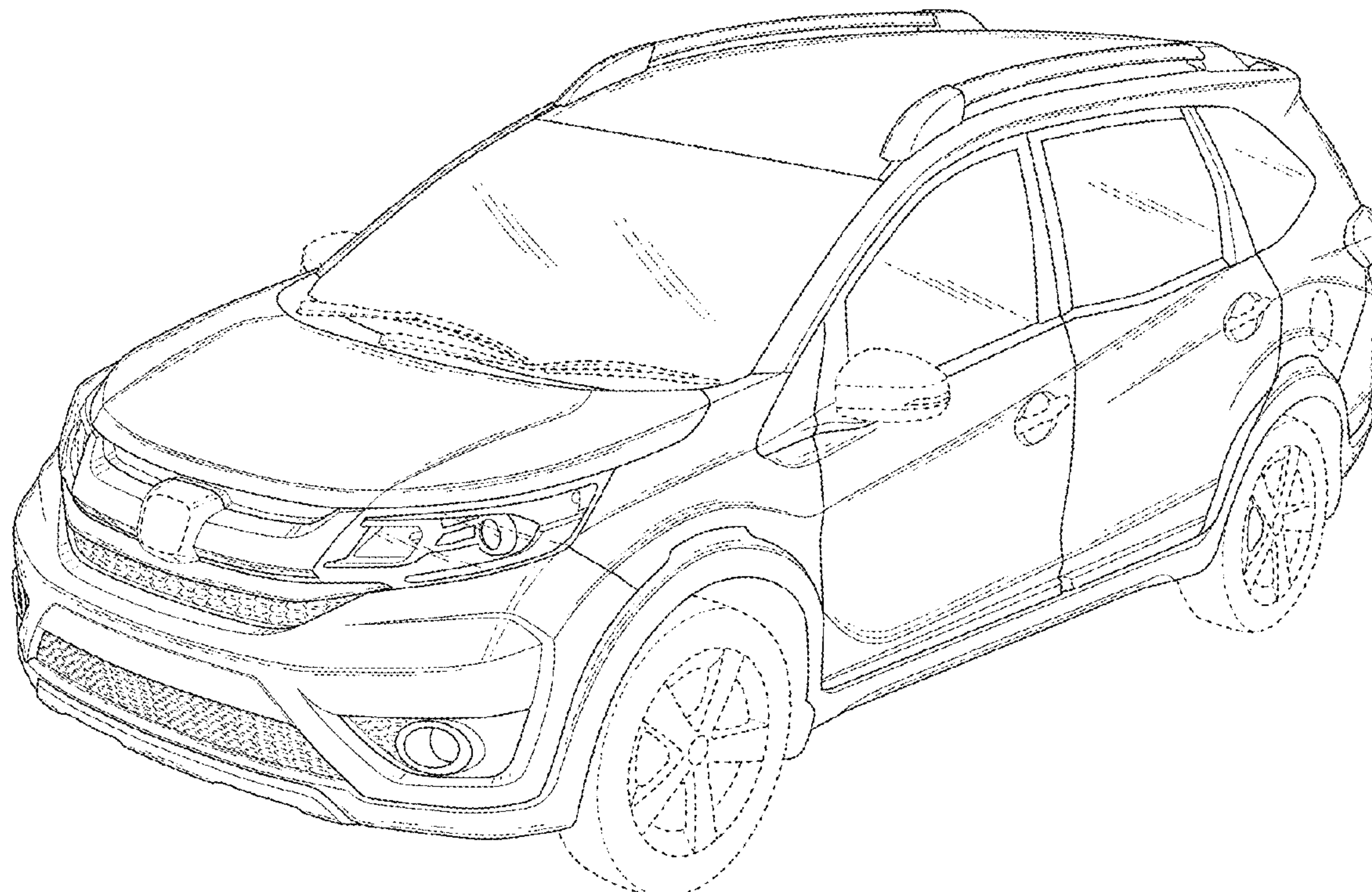
(57) **CLAIM**

The ornamental design for an automobile, as shown and described.

DESCRIPTION

FIG. 1 is a front perspective view of an automobile;
FIG. 2 is a rear perspective view thereof;
FIG. 3 is a front view thereof;
FIG. 4 is a left side view thereof;
FIG. 5 is a rear view thereof;
FIG. 6 is a plan view thereof; and
FIG. 7 is a right side view thereof.
The broken lines form no part of the claimed design.

1 Claim, 7 Drawing Sheets



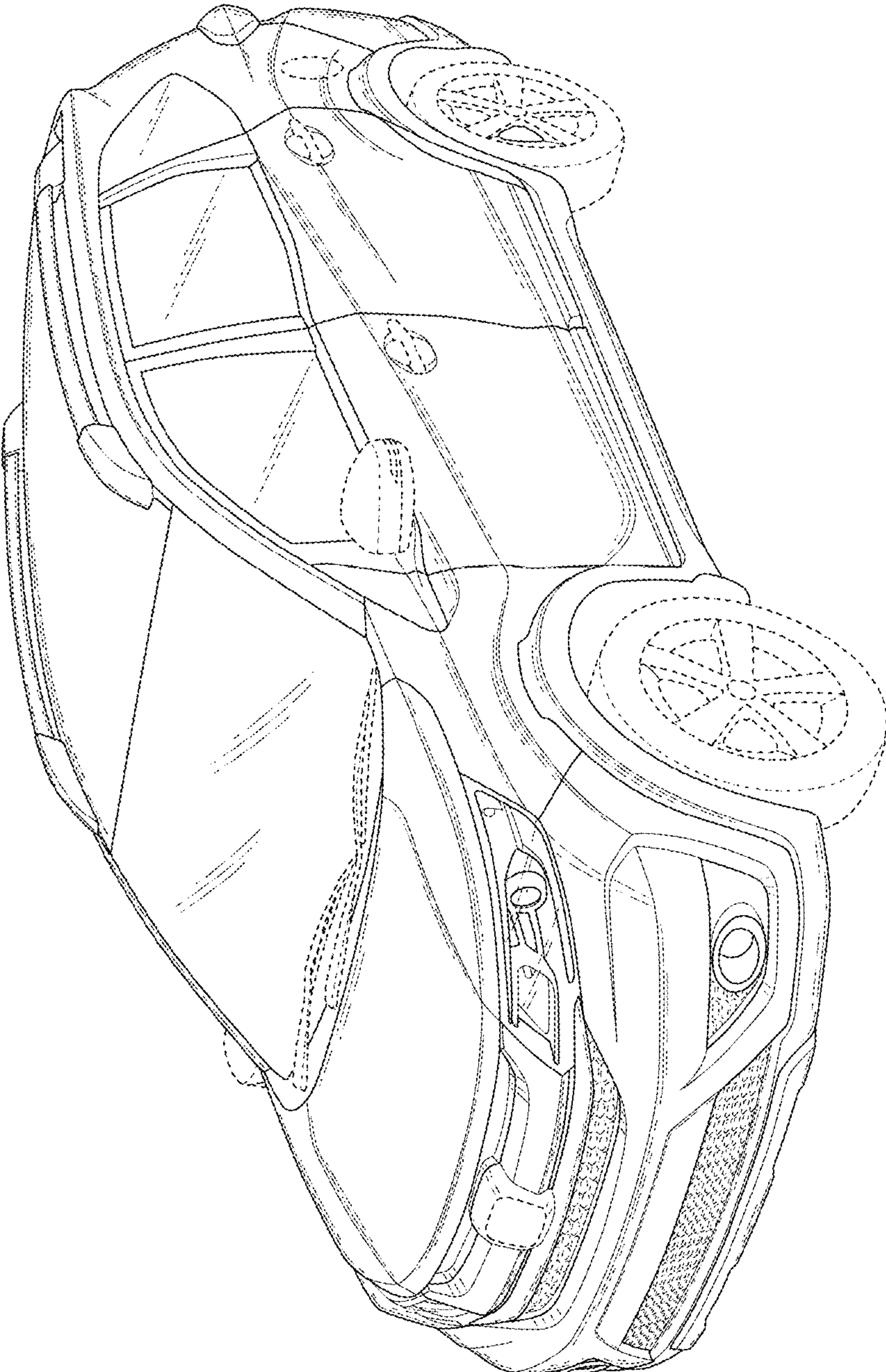


FIG.1

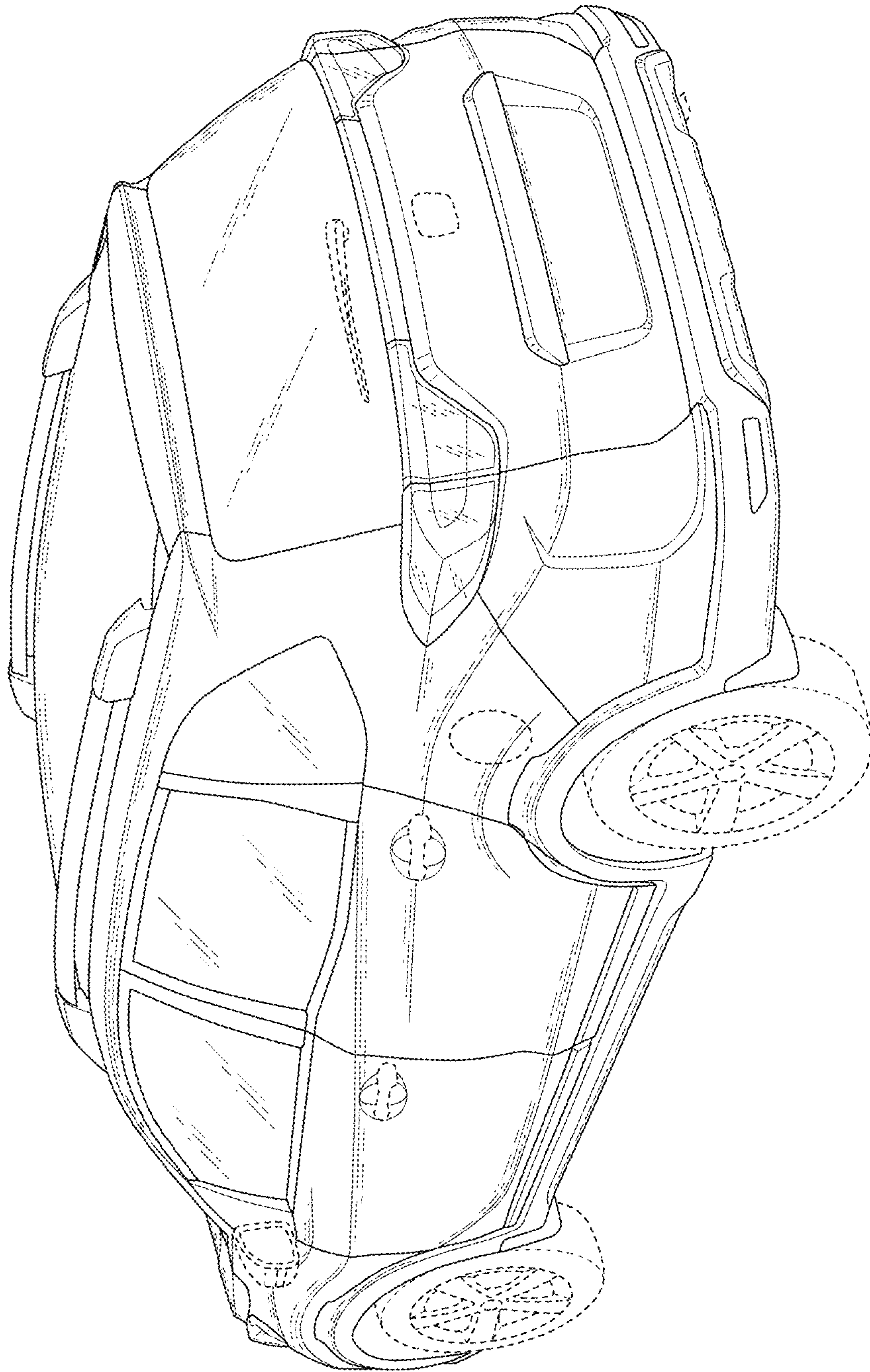


FIG.2

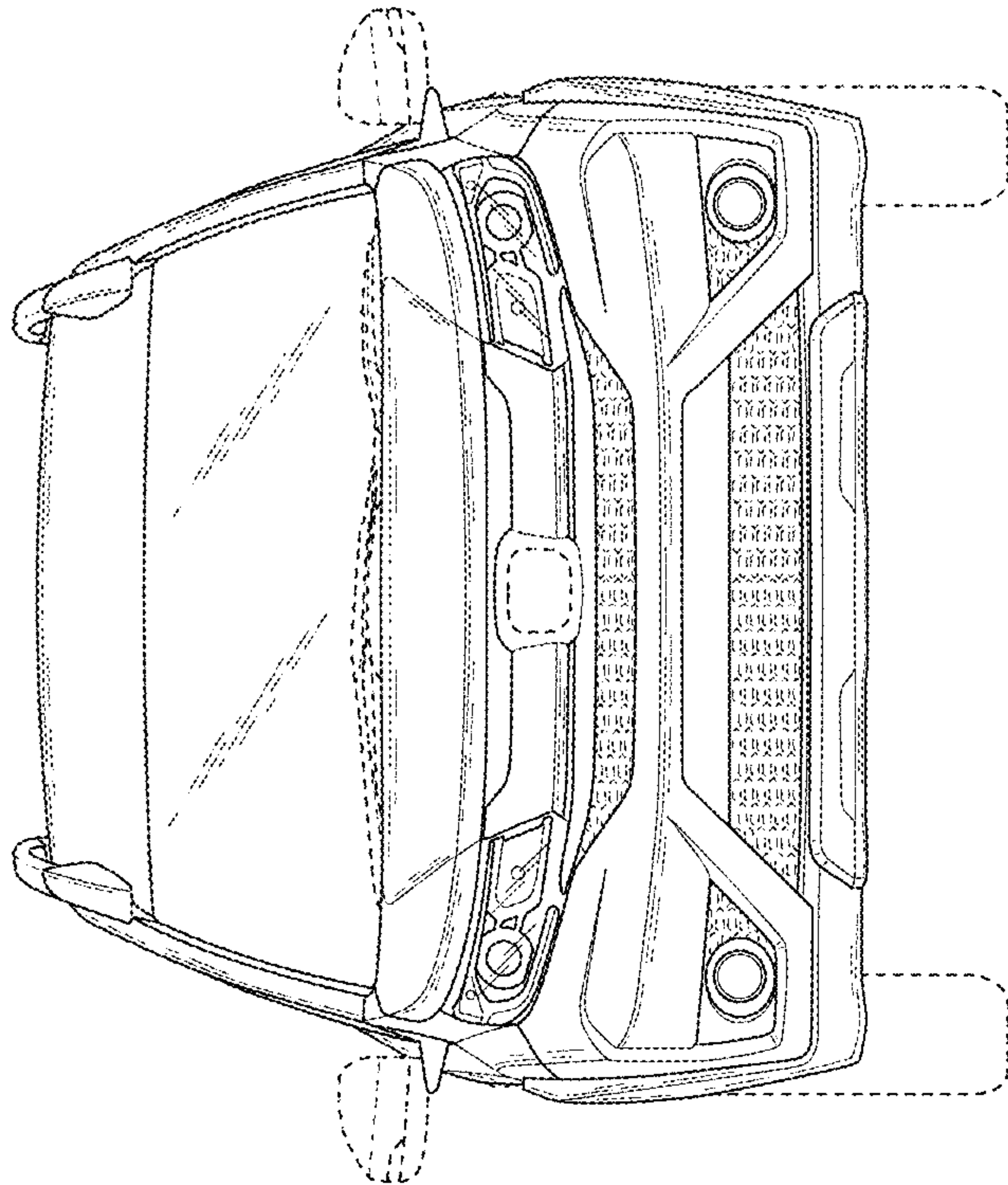


FIG.3

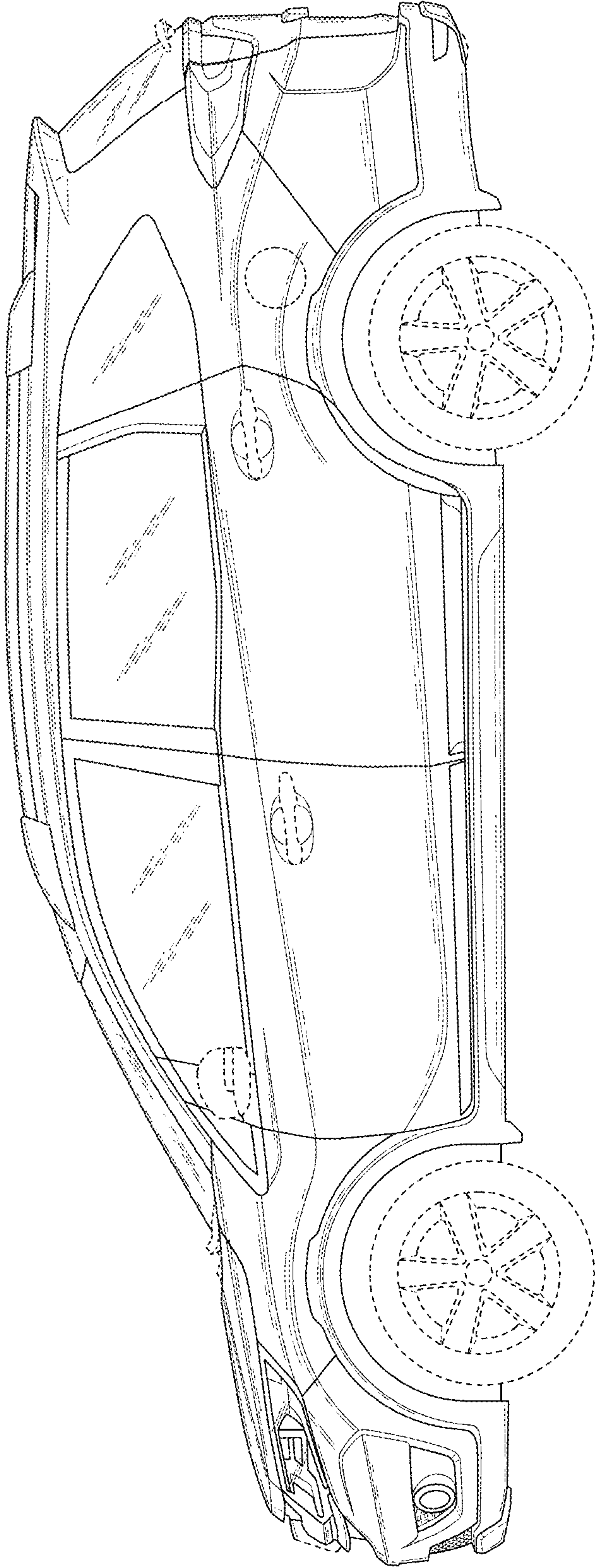


FIG.4

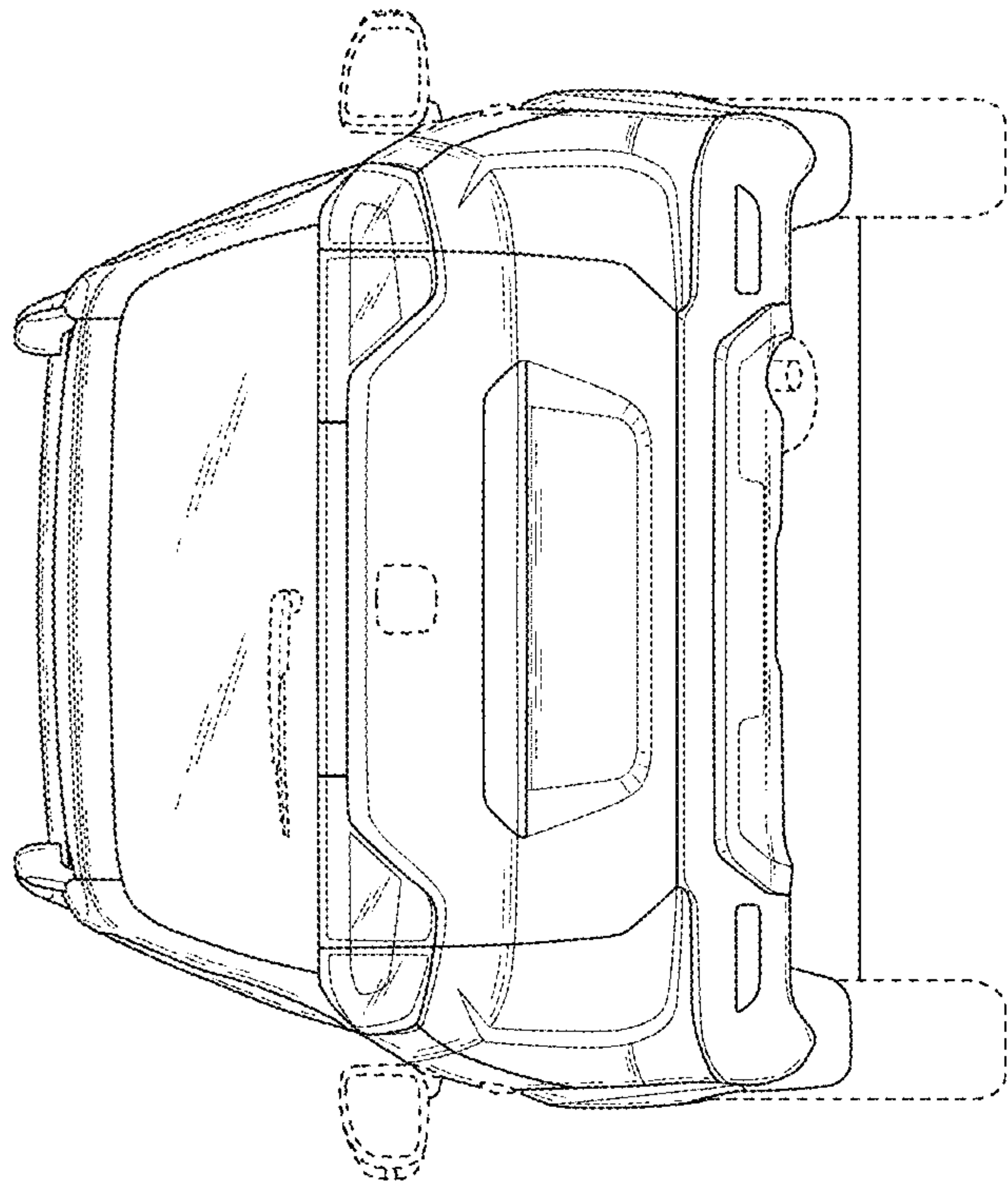


FIG.5

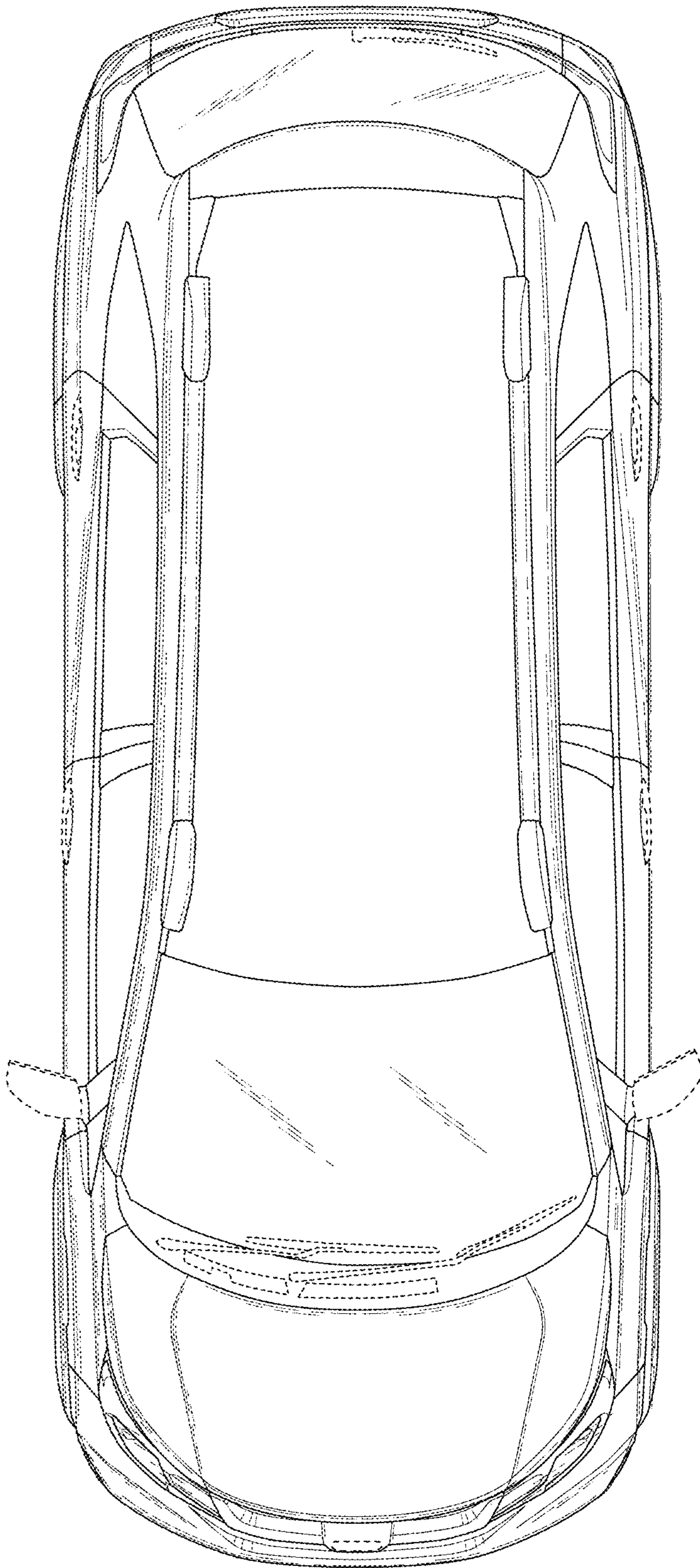


FIG.6

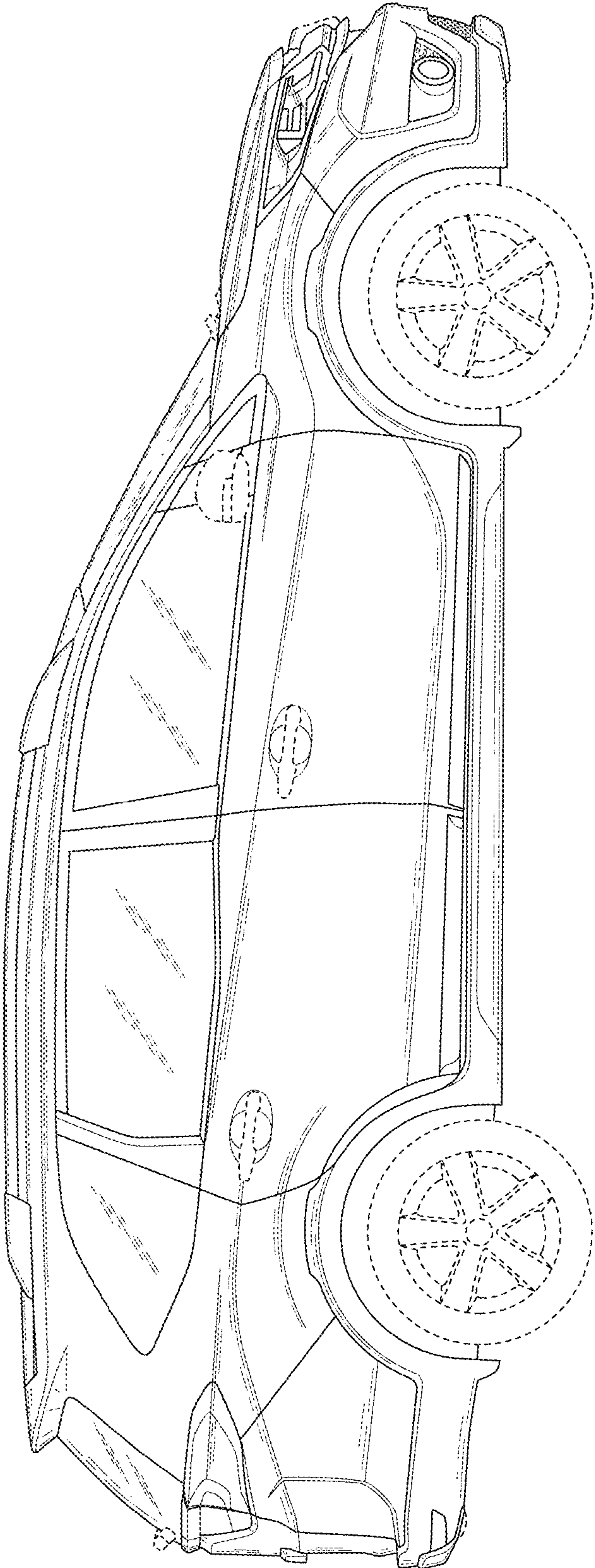


FIG.7