



US00D784855S

(12) **United States Design Patent**
Wheel et al.

(10) **Patent No.:** **US D784,855 S**

(45) **Date of Patent:** **** Apr. 25, 2017**

(54) **VEHICLE**

(71) Applicant: **Jaguar Land Rover Limited**, Whitley,
Coventry (GB)

(72) Inventors: **Andrew Wheel**, Coventry (GB);
Jeremy Waterman, Coventry (GB)

(73) Assignee: **Jaguar Land Rover Limited**, Whitley,
Coventry (GB)

(**) Term: **15 Years**

(21) Appl. No.: **29/527,464**

(22) Filed: **May 19, 2015**

(30) **Foreign Application Priority Data**

Dec. 12, 2014 (EM) 002596593-0003
Dec. 12, 2014 (EM) 002596593-0005
Feb. 19, 2015 (EM) 002637504-0002
Feb. 19, 2015 (EM) 002637587-0002

(51) **LOC (10) Cl.** **12-08**

(52) **U.S. Cl.**
USPC **D12/91**

(58) **Field of Classification Search**
USPC D12/86, 90-92, 88; D21/421, 433, 434;
296/181.1, 181.5
CPC B62D 35/00; B62D 25/00; B62D 25/06;
B62D 33/00
See application file for complete search history.

(56) **References Cited**

U.S. PATENT DOCUMENTS

D684,093 S * 6/2013 Woolley D12/91
D684,094 S * 6/2013 Le Grice D12/91

D716,695 S * 11/2014 Woolley D12/91
D718,188 S * 11/2014 Wheel D12/91
D735,610 S * 8/2015 Wheel D12/91
D746,722 S * 1/2016 Henstridge D12/91
D750,531 S * 3/2016 Watkins D12/91
D750,532 S * 3/2016 Frascella D12/91

* cited by examiner

Primary Examiner — Melody N Brown

(74) *Attorney, Agent, or Firm* — Wood Herron & Evans

(57) **CLAIM**

The ornamental design for a vehicle, as shown and described.

DESCRIPTION

FIG. 1 is a front right perspective view of a vehicle according to the present invention;

FIG. 2 is a left rear view thereof.

FIG. 3 is a front view thereof.

FIG. 4 is a rear view thereof.

FIG. 5 is a left side view thereof.

FIG. 6 is a right side view thereof.

FIG. 7 is a top view thereof.

FIG. 8 is a right front perspective view of a second embodiment of the vehicle of the present invention.

FIG. 9 is a left rear perspective view thereof.

FIG. 10 is a front view thereof.

FIG. 11 is a rear view thereof.

FIG. 12 is a left side view thereof.

FIG. 13 is a right side view thereof; and,

FIG. 14 is a top view thereof.

Any elements shown in broken lines form no part of the claimed invention, and are instead included to show environmental aspects of the claimed invention. Also, broken lines shown adjacent to any shaded portions form an unclaimed boundary of the design.

1 Claim, 10 Drawing Sheets

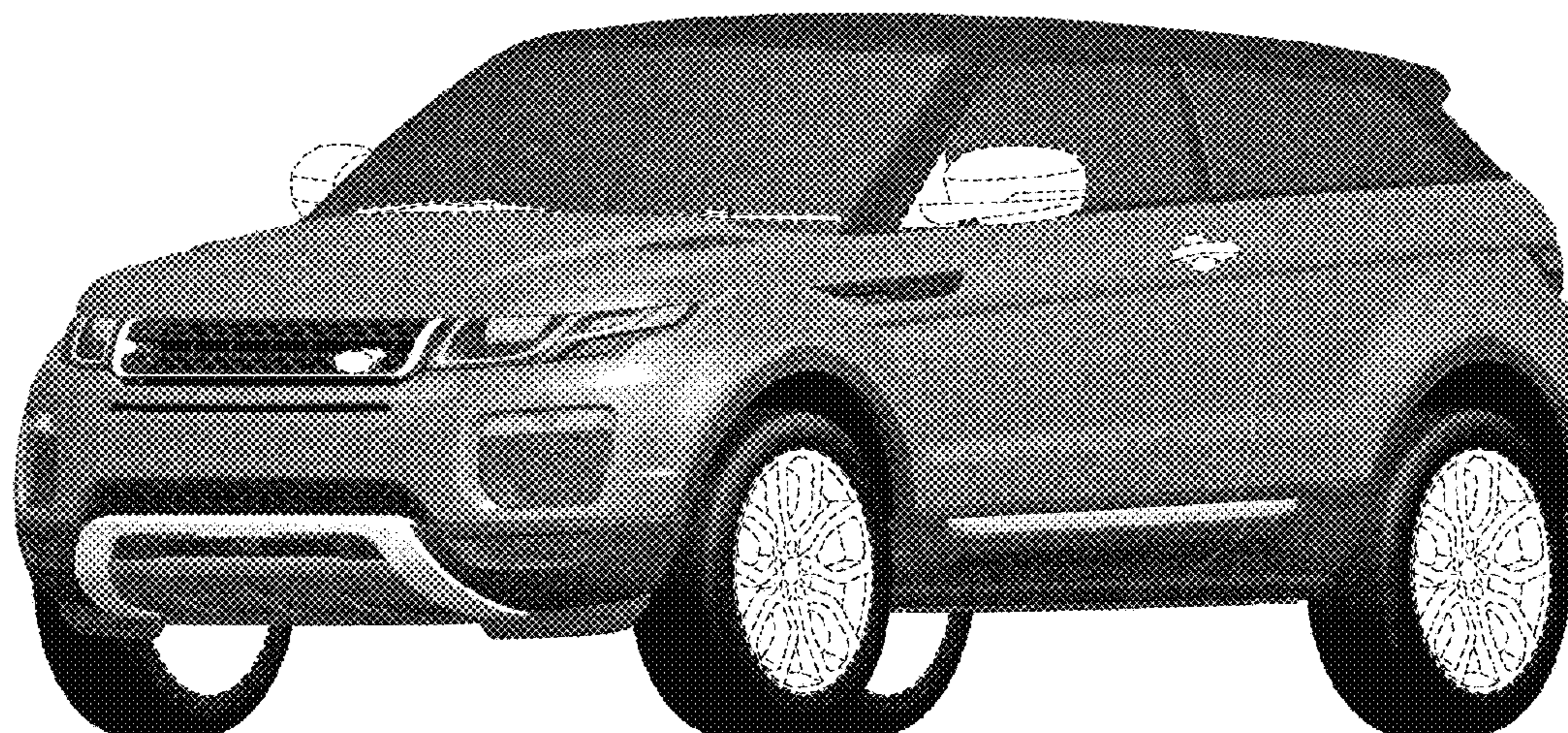




FIG. 1

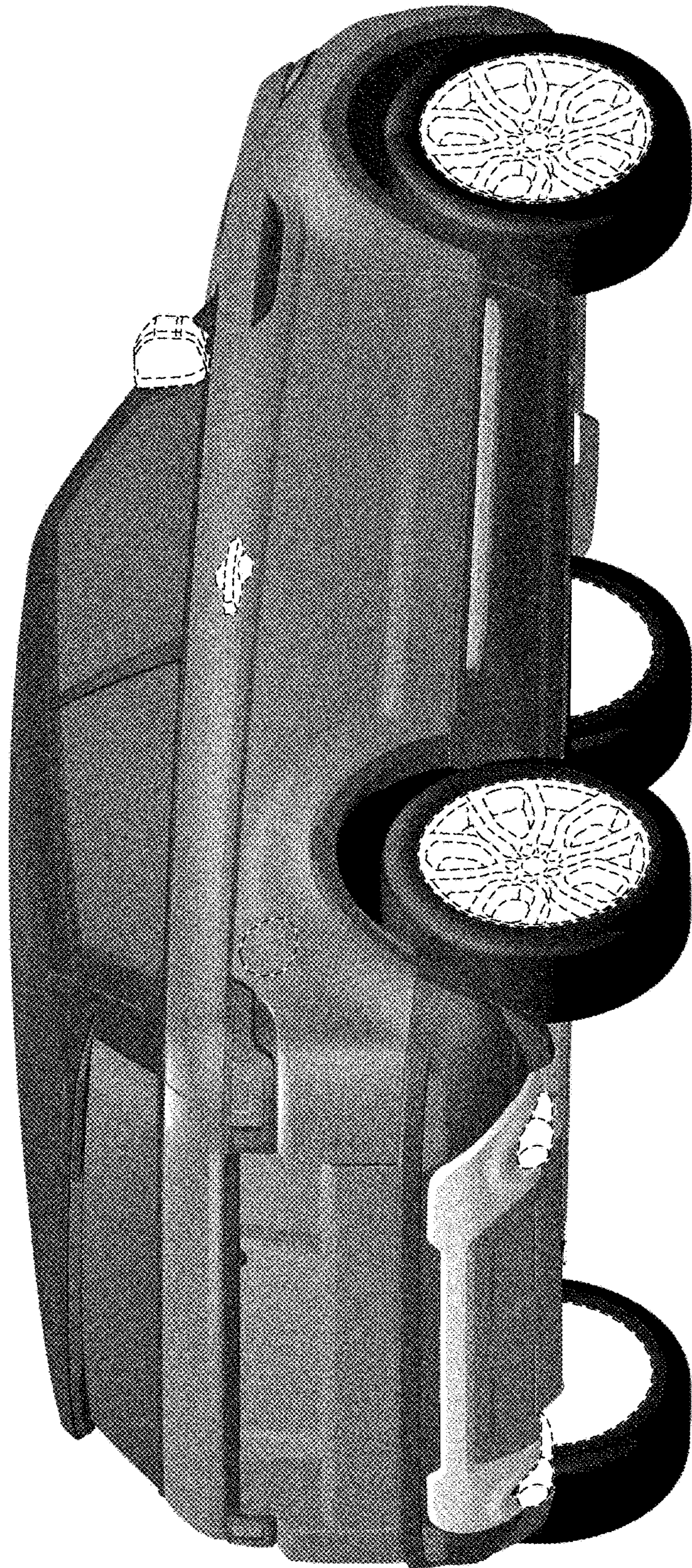


FIG. 2



FIG. 3

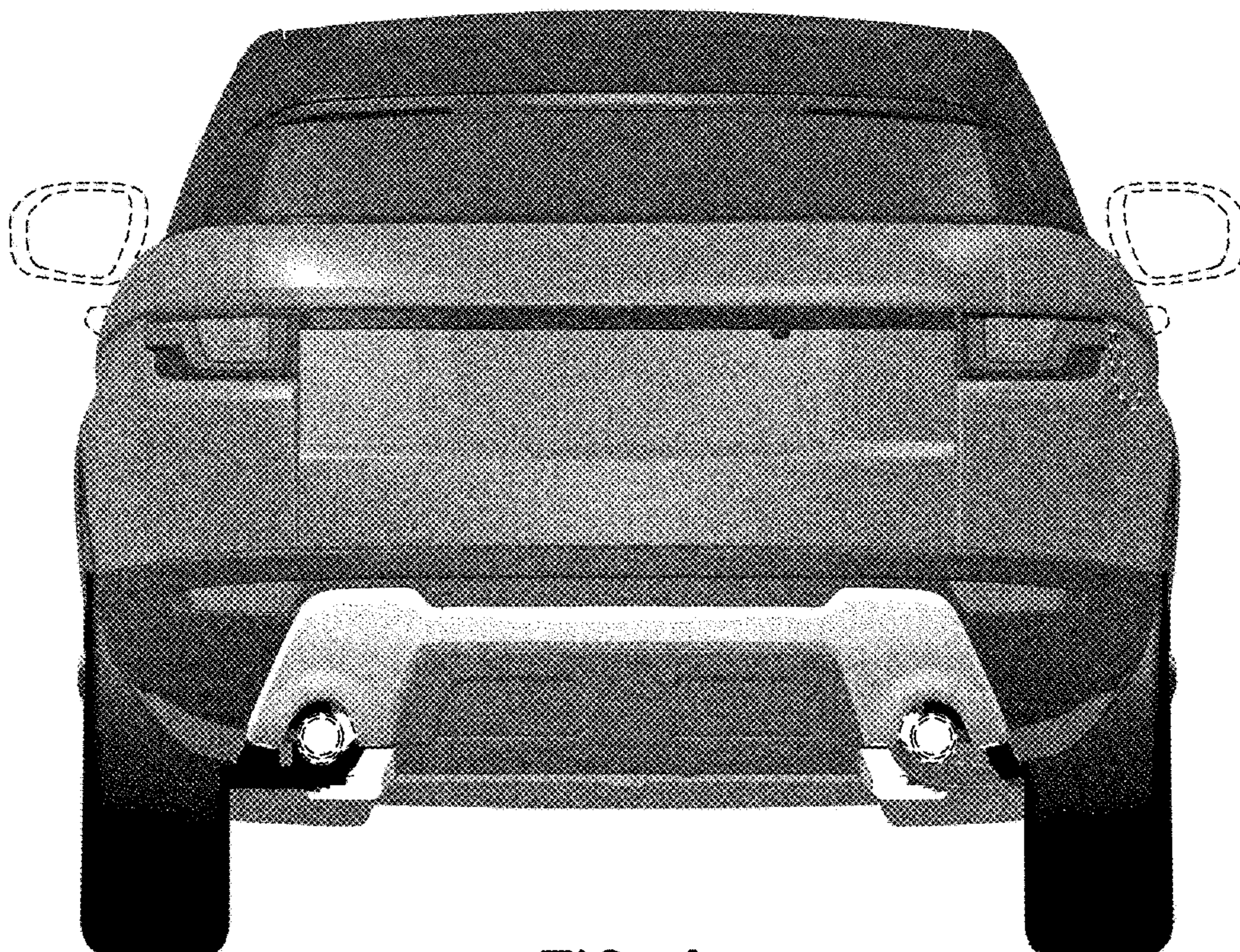


FIG. 4

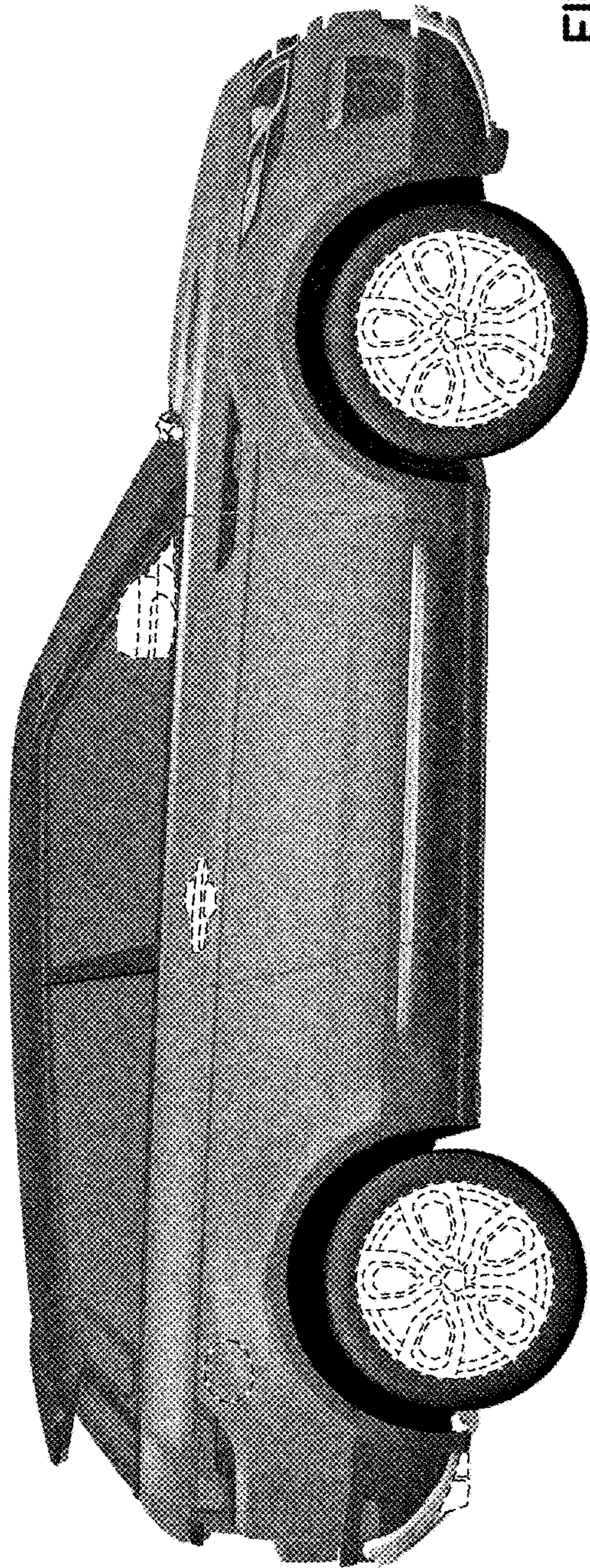


FIG. 5

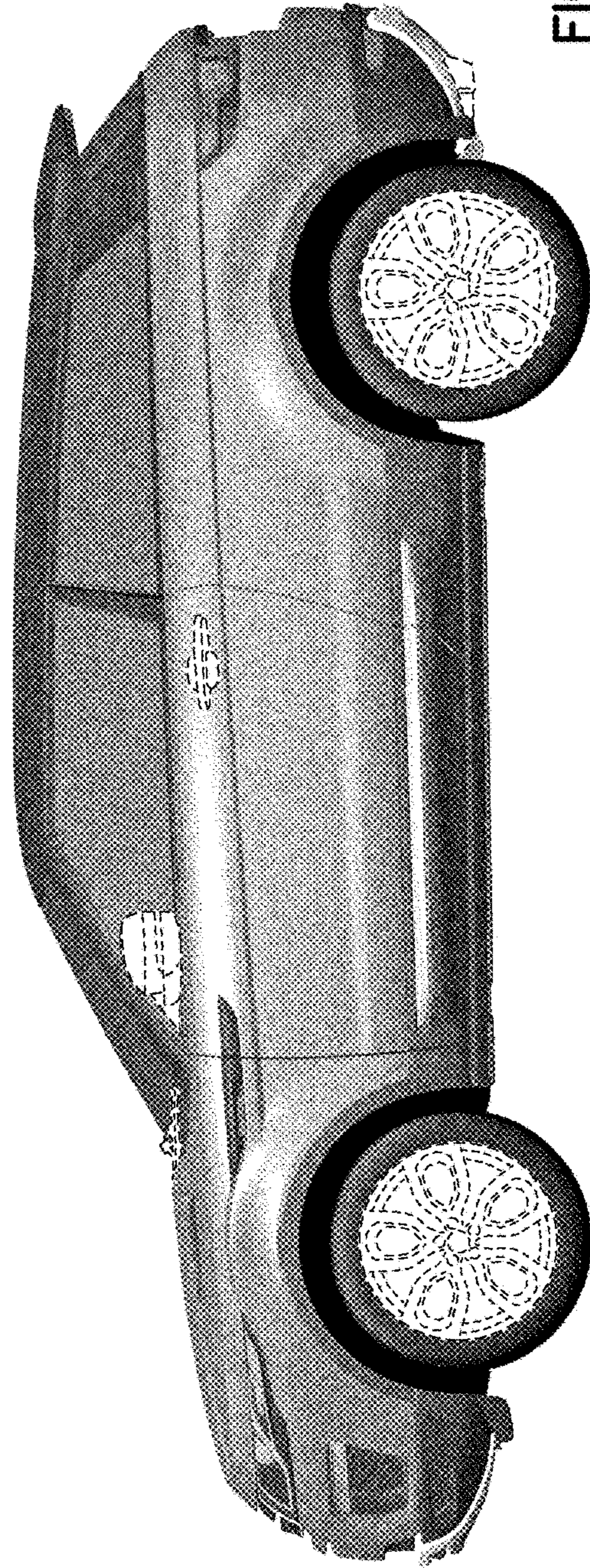


FIG. 6

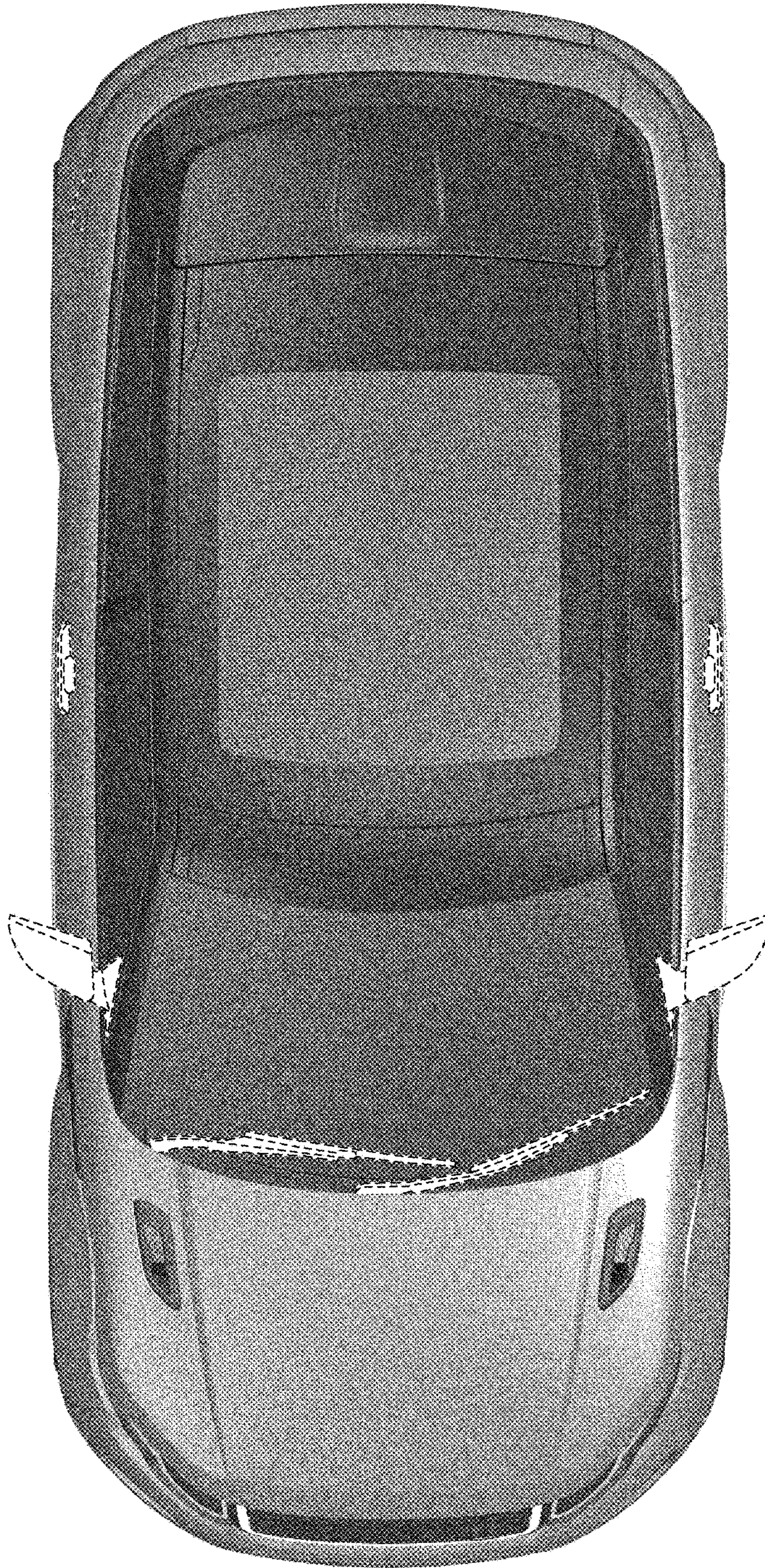


FIG. 7

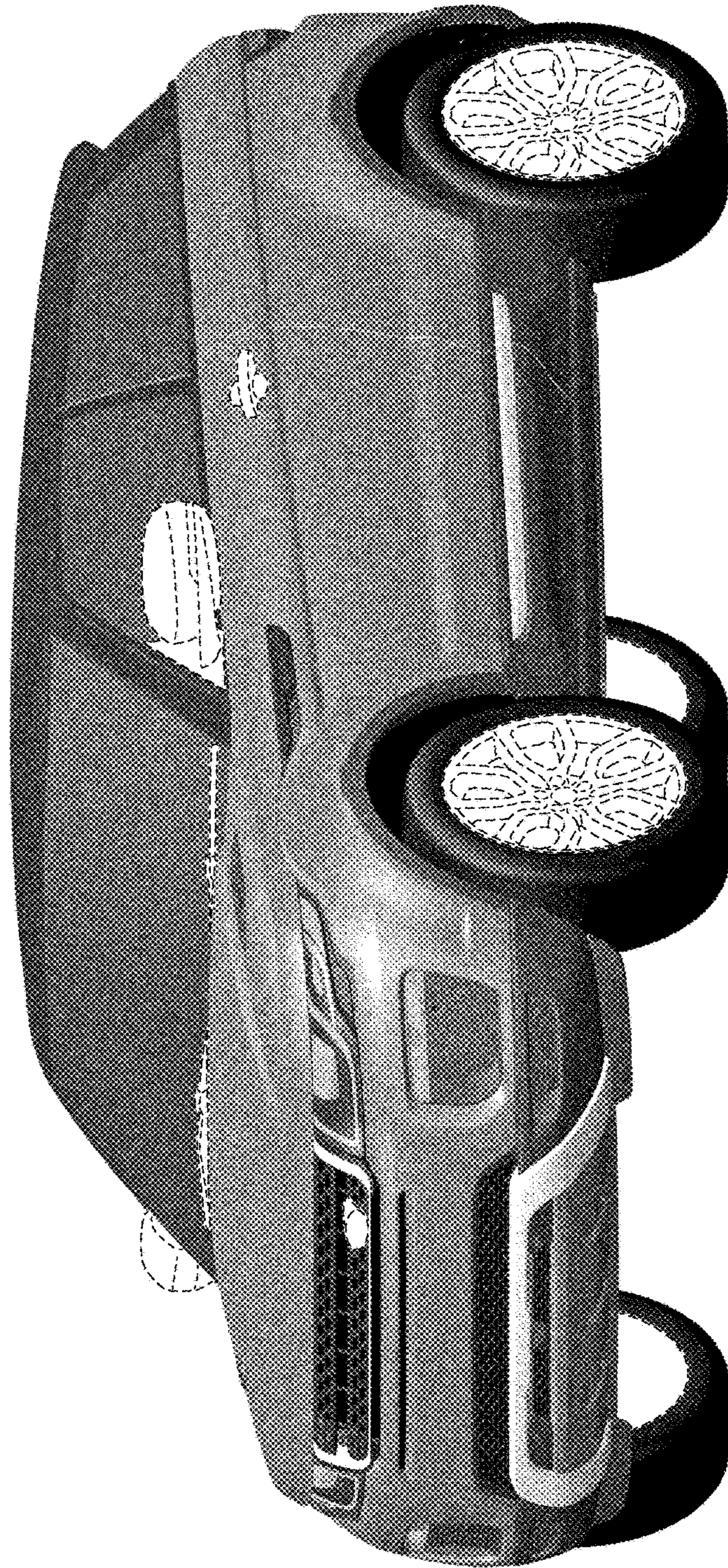


FIG. 8

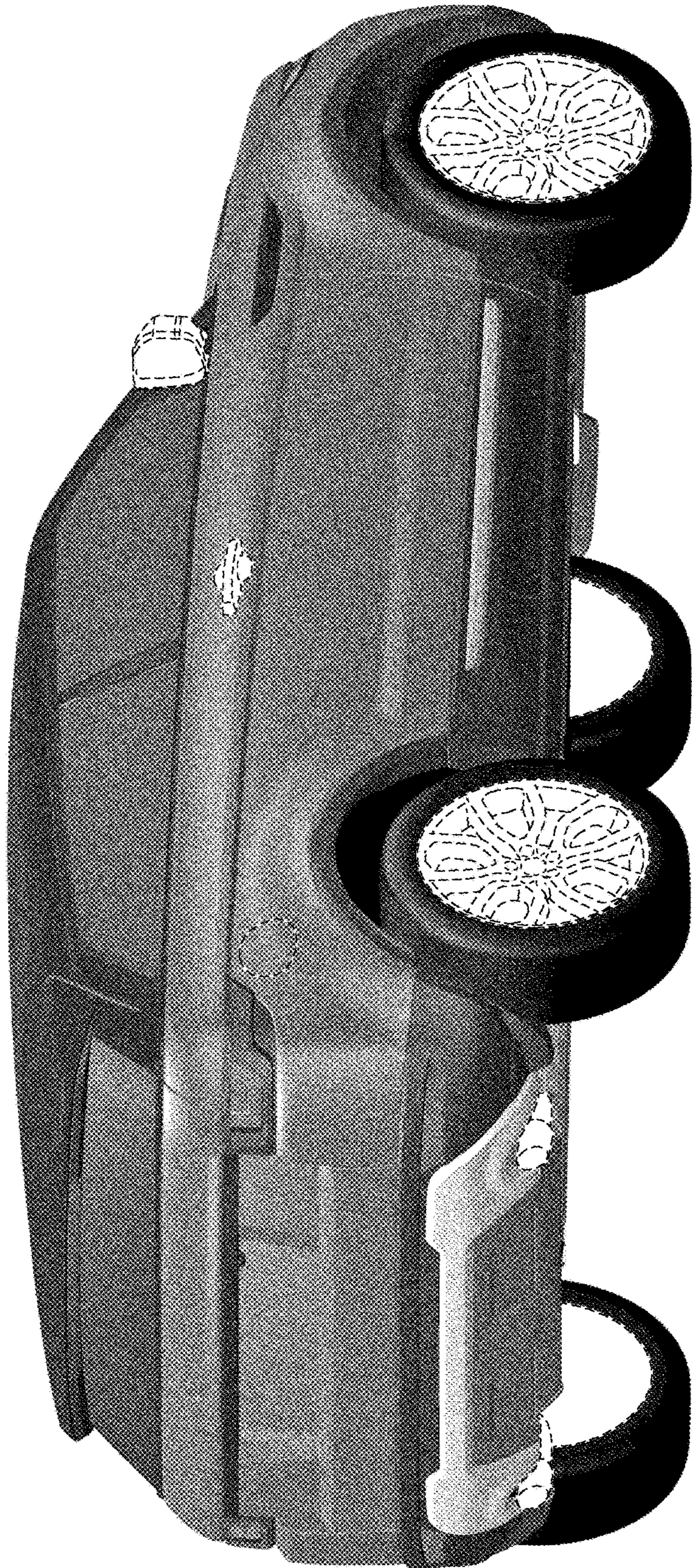


FIG. 9

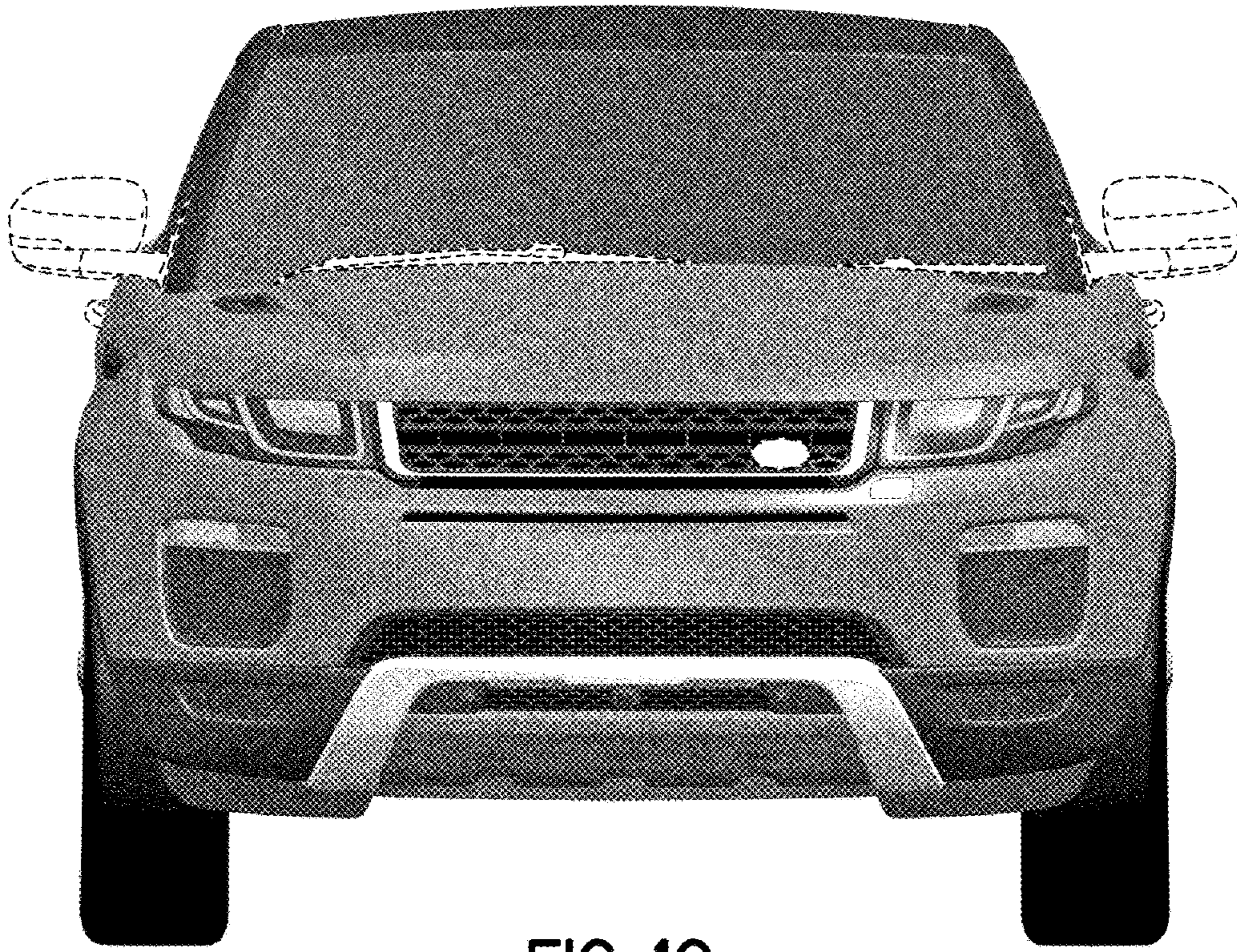


FIG. 10

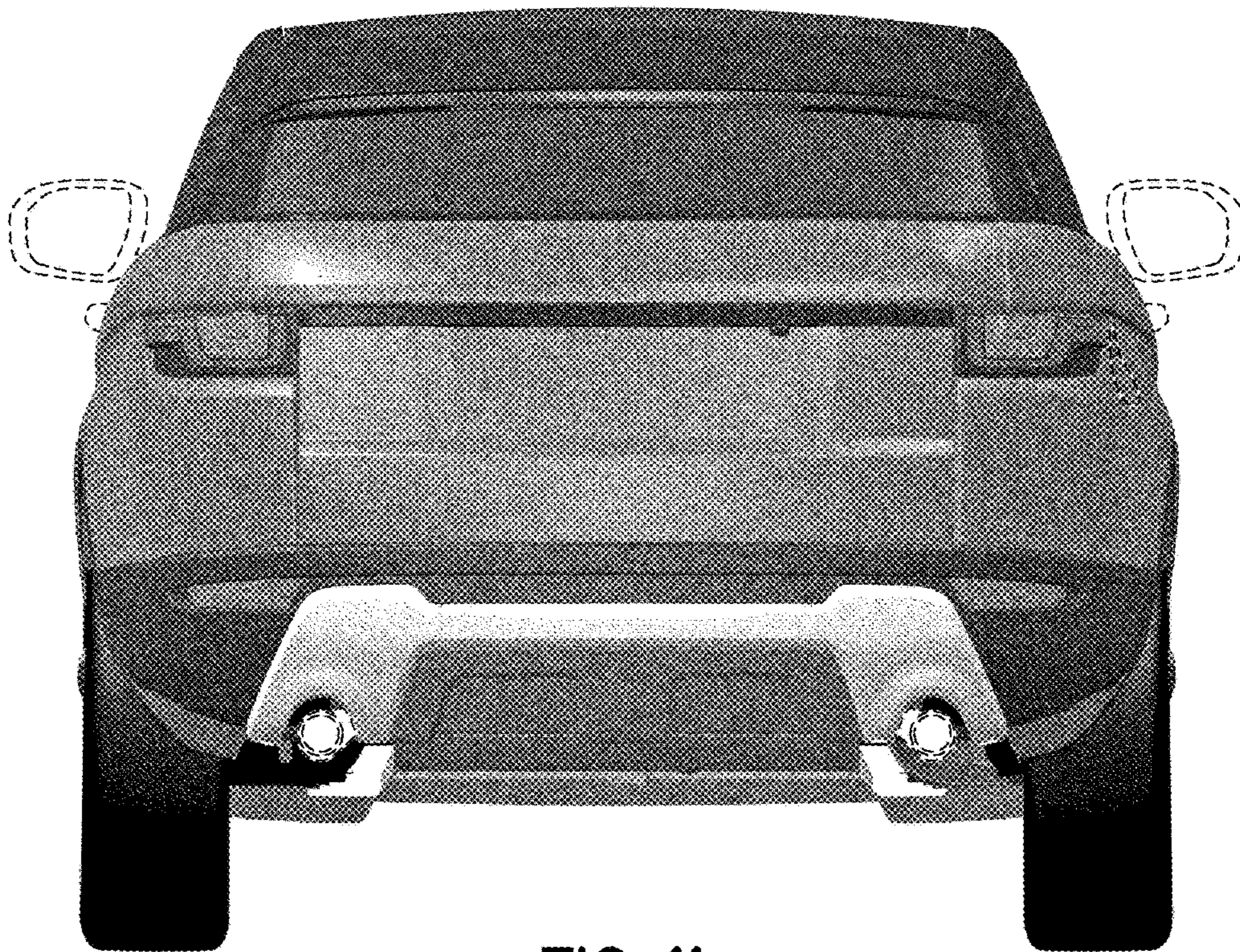


FIG. 11

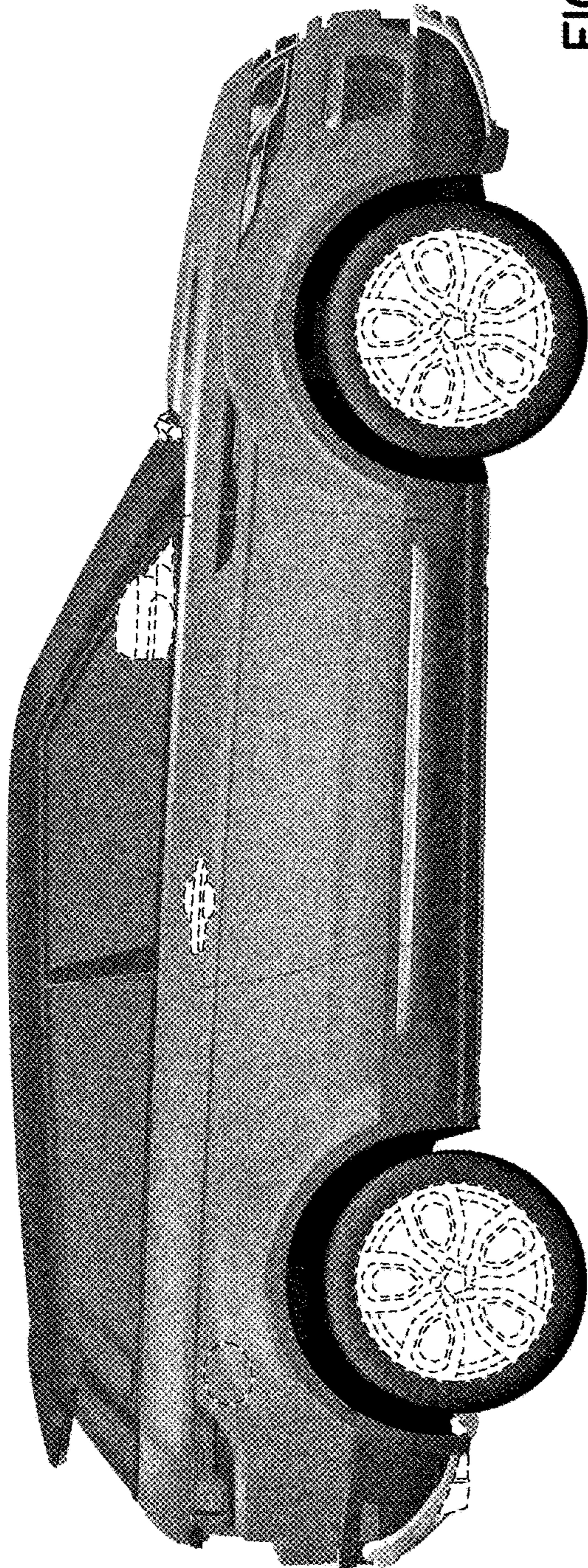


FIG. 12

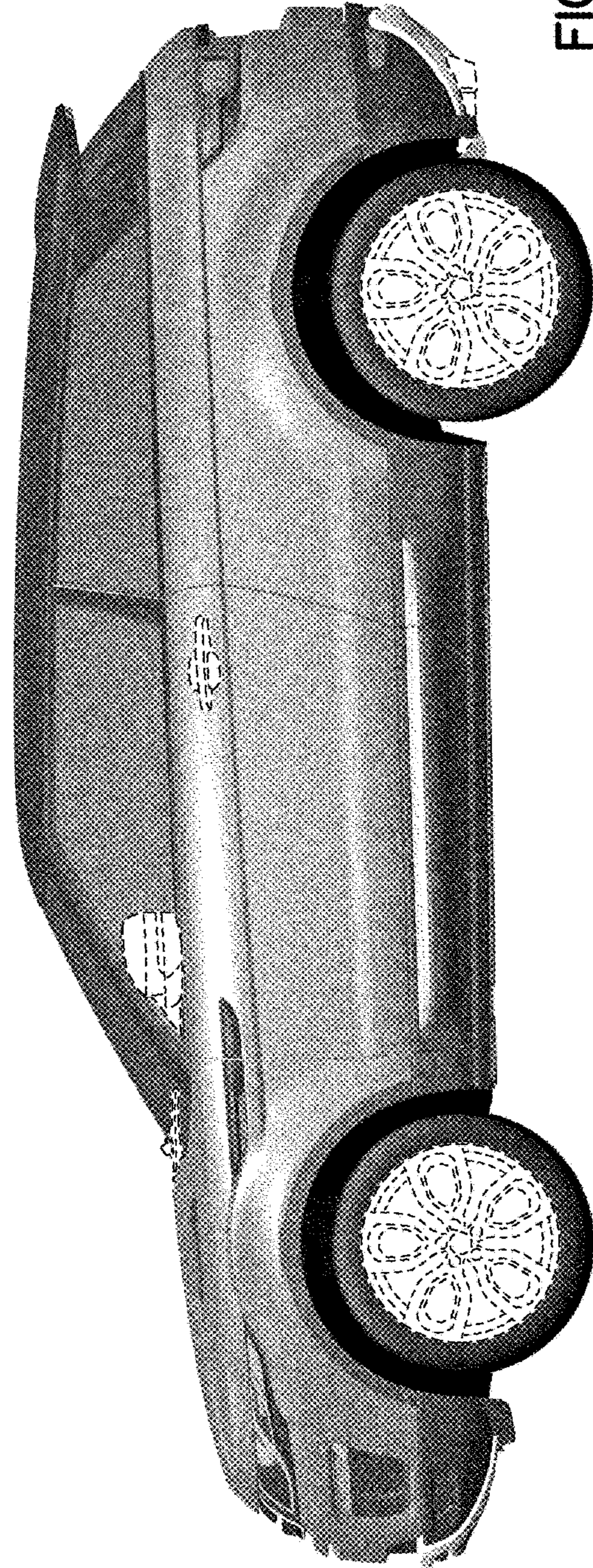


FIG. 13

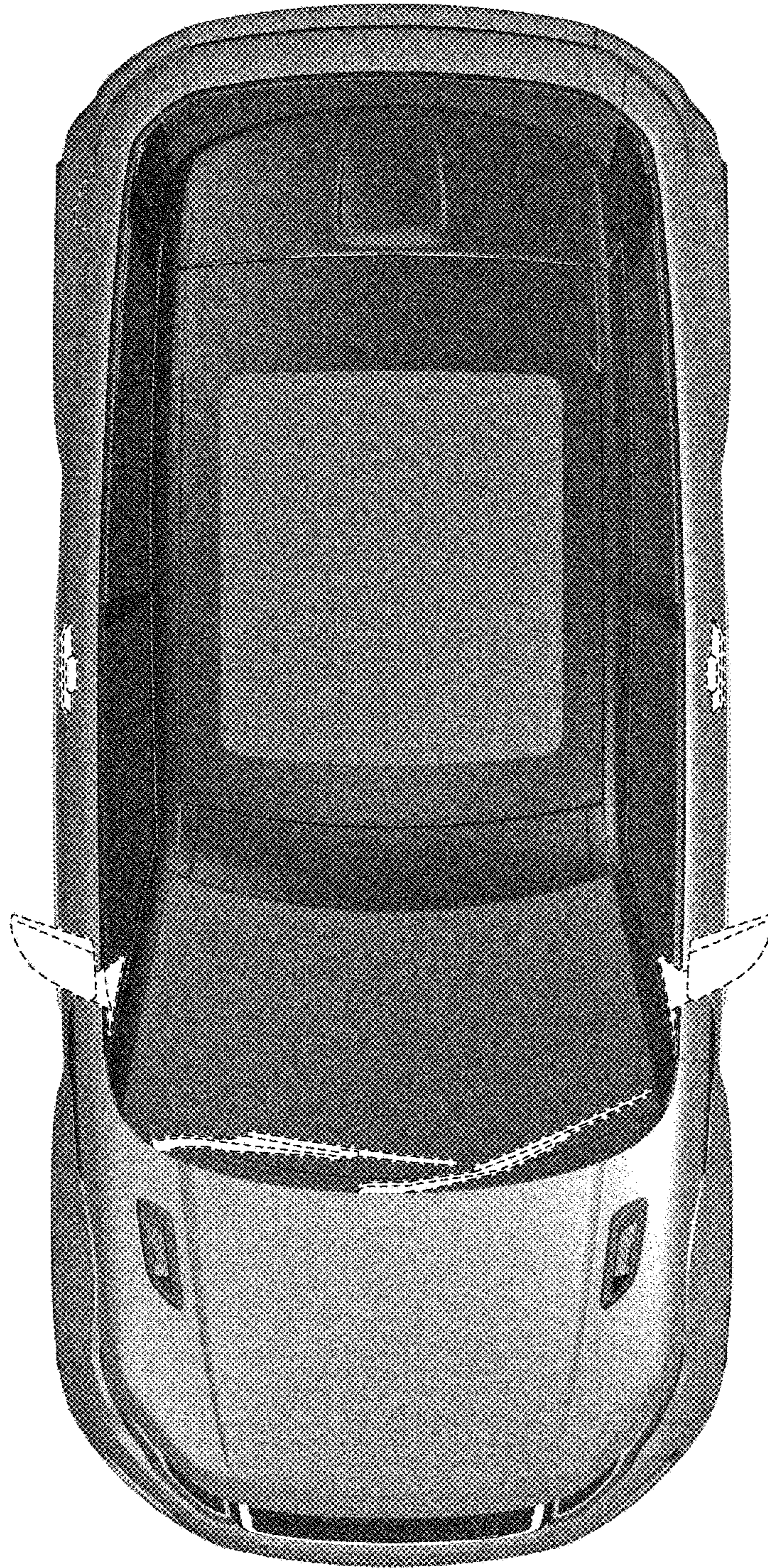


FIG. 14