



US00D784853S

(12) **United States Design Patent** (10) **Patent No.:** **US D784,853 S**
Gecchelin et al. (45) **Date of Patent:** **** Apr. 25, 2017**

(54) **CONNECTABLE ROAD VEHICLE**
(71) Applicant: **Next Future Transportation, Inc.**, San Jose, CA (US)
(72) Inventors: **Tommaso Gecchelin**, Mira (IT); **Emmanuele Spera**, San Jose, CA (US)
(73) Assignee: **Next Future Transportation Inc.**, San Jose, CA (US)

5,845,583 A * 12/1998 Jensen B60F 1/00
104/119
D458,876 S * 6/2002 Kendall D12/103
D658,543 S * 5/2012 Stanisci D12/52
2003/0014302 A1 * 1/2003 Jablin B60L 3/12
705/13

(Continued)

OTHER PUBLICATIONS

Tommaso Gecchelin, Next—Modular Self Driving Vehicle, 2012, Italy.

(Continued)

Primary Examiner — T. Chase Nelson
Assistant Examiner — Ania Aman

(57) **CLAIM**

The ornamental design for a connectable road vehicle, as shown and described.

DESCRIPTION

FIG. 1 is a top, right side, front prospective view of connectable road vehicle, illustrating the novel design. The connectable road vehicle has an arm that can optionally be extended to connect with the back of another similar vehicle. FIG. 1 is an illustration of the connectable road vehicle with the arm in its non-extended form. The left side is a mirror image of the right side.

FIG. 2 is a front view thereof.

FIG. 3 is a side view thereof.

FIG. 4 is a back view thereof.

FIG. 5 is the bottom view thereof.

FIG. 6 is a top, right side, front view of the connectable road vehicle of FIG. 1, with the arm extended and the doors, as illustrated in FIG. 2, open. The extended arm can connect to the back of another similar vehicle. The left side is a mirror image of the right side; and,

FIG. 7 is the bottom view of FIG. 6 with the arm in its extended form.

In the drawings, the broken lines depict unclaimed subject matter only and form no part of the claimed design.

1 Claim, 7 Drawing Sheets

(**) Term: **15 Years**

(21) Appl. No.: **29/527,125**

(22) Filed: **May 15, 2015**

(51) **LOC (10) Cl.** **12-14**

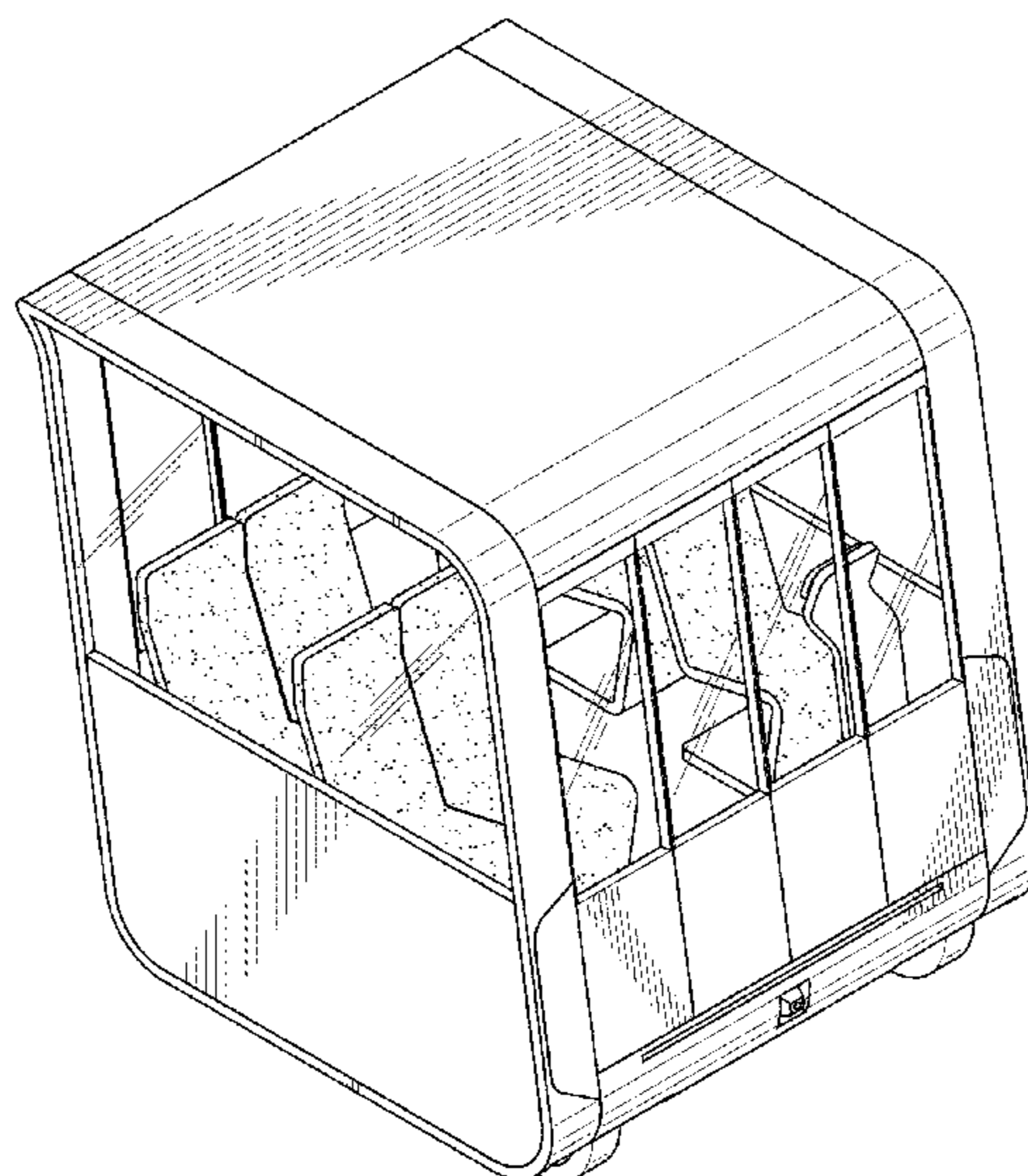
(52) **U.S. Cl.**
USPC **D12/1**

(58) **Field of Classification Search**
USPC ... D12/1, 36, 37, 38, 39, 40, 41, 42, 43, 44, D12/46, 52, 85, 86, 93; 296/181.1, 296/146.1, 147, 149, 146.3, 146.4, 155, 296/1.01; 105/141, 142, 240, 258, 280, 105/282.1, 288, 329.1, 330, 456
CPC .. B61B 12/002; B60F 1/00; B60F 1/02; B60F 1/043; B60F 1/046; B62D 63/06
See application file for complete search history.

(56) **References Cited**

U.S. PATENT DOCUMENTS

2,566,178 A * 8/1951 Eustis B61C 17/04
105/456
3,606,843 A * 9/1971 Adams et al. B61B 13/04
105/397
D234,418 S * 3/1975 Forsey, Jr. D12/40
D389,417 S * 1/1998 Polacek D12/1
5,813,349 A * 9/1998 Jensen B60F 1/00
104/118



(56)

References Cited

U.S. PATENT DOCUMENTS

2004/0262940 A1* 12/2004 Johnson B60N 2/01
296/64
2016/0264021 A1* 9/2016 Gillett B60N 2/0232
2016/0272223 A1* 9/2016 Benoliel B61F 7/00

OTHER PUBLICATIONS

Gecchelin, Gordon & McHenry McHenry Engineering, Mar. 4,
2014, US.

* cited by examiner

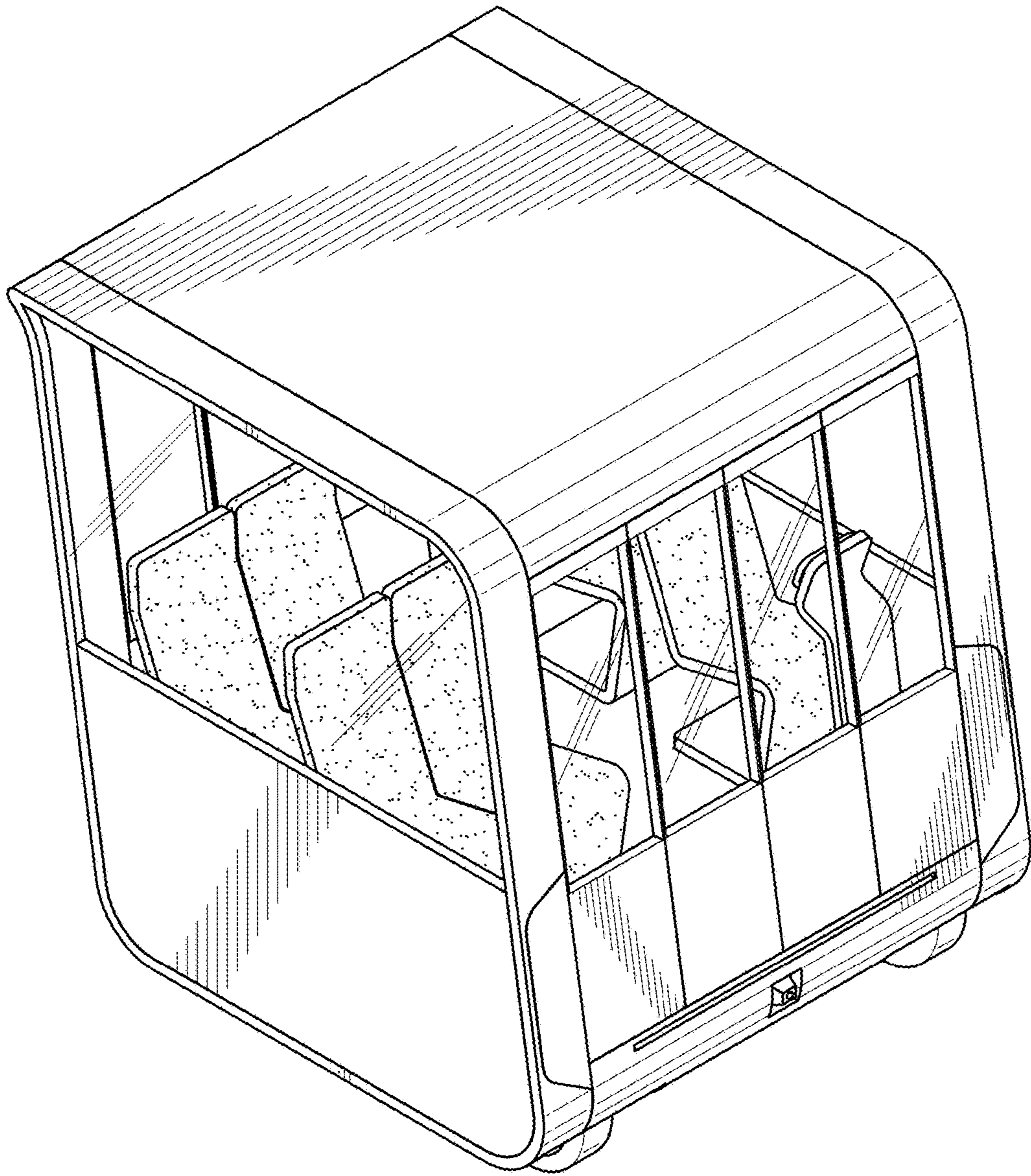


FIG. 1

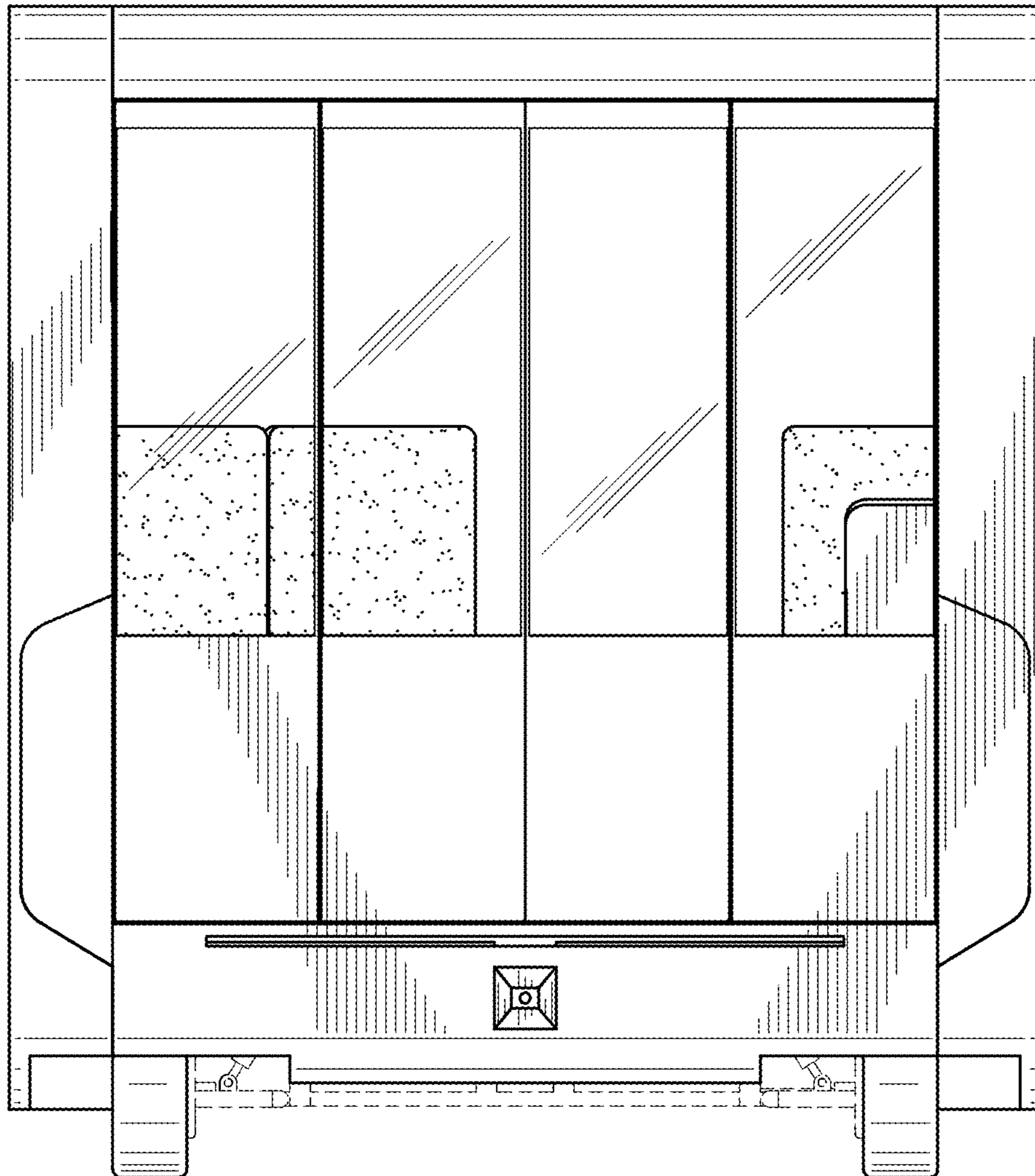


FIG. 2

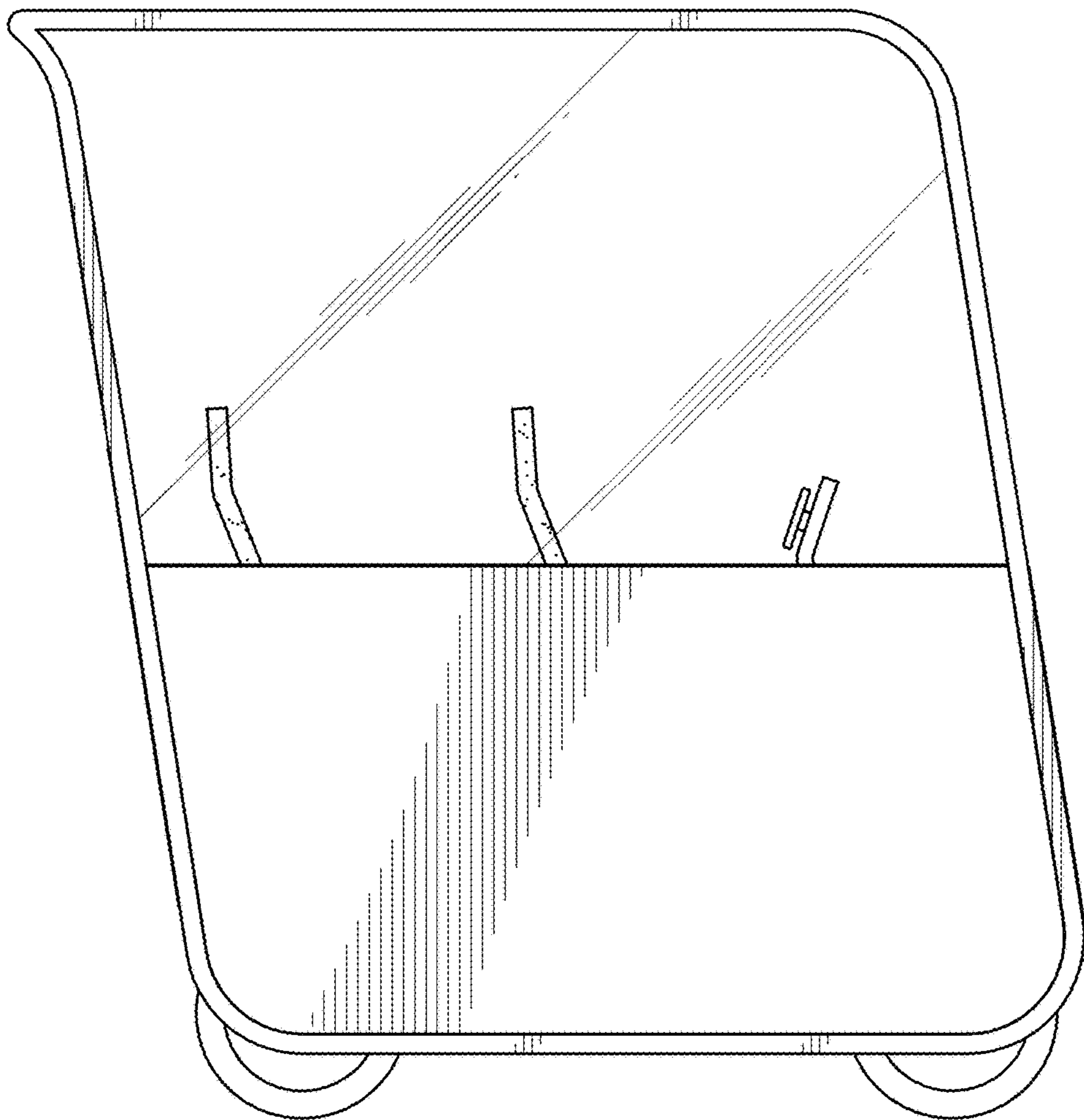


FIG. 3

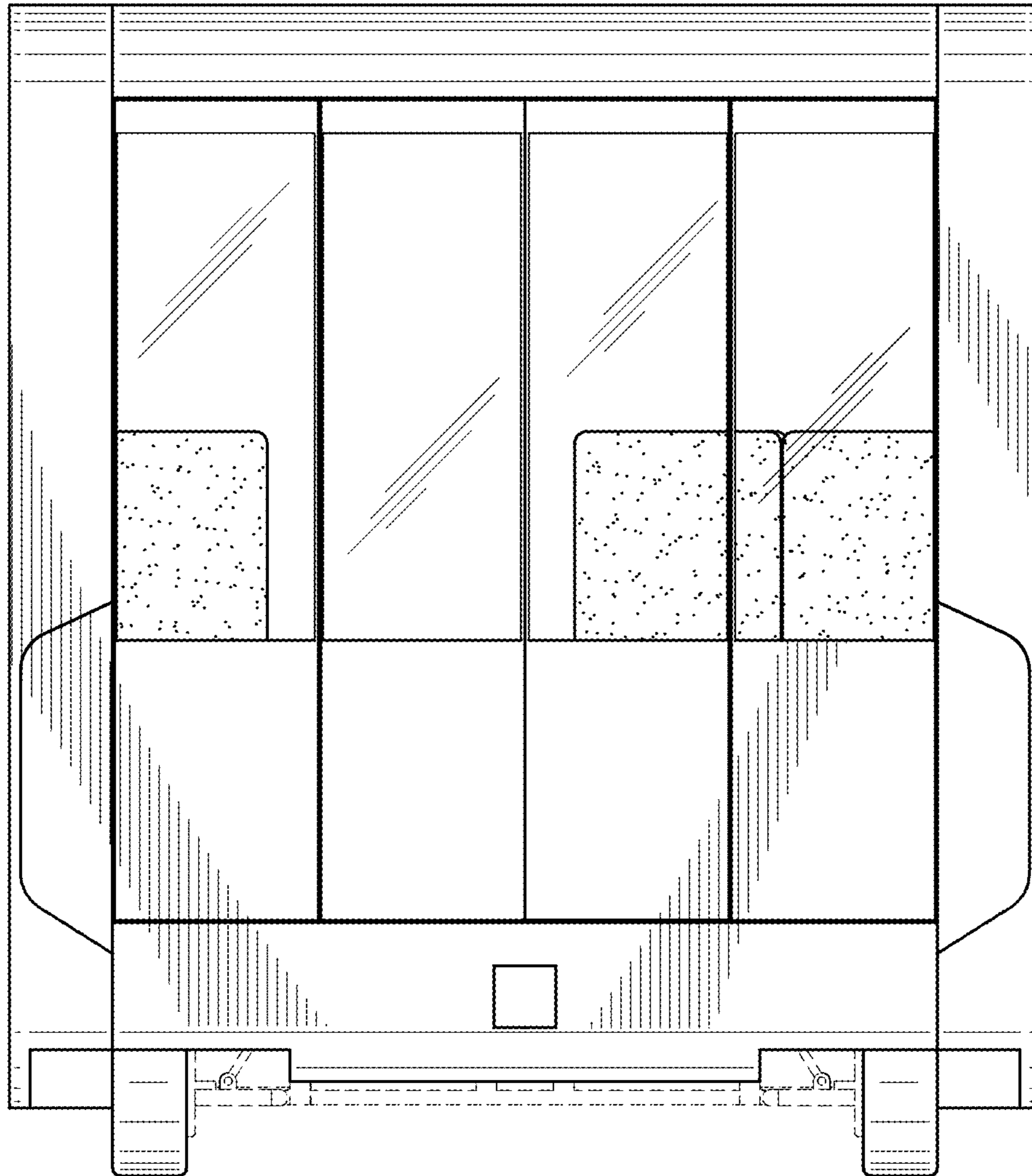


FIG. 4

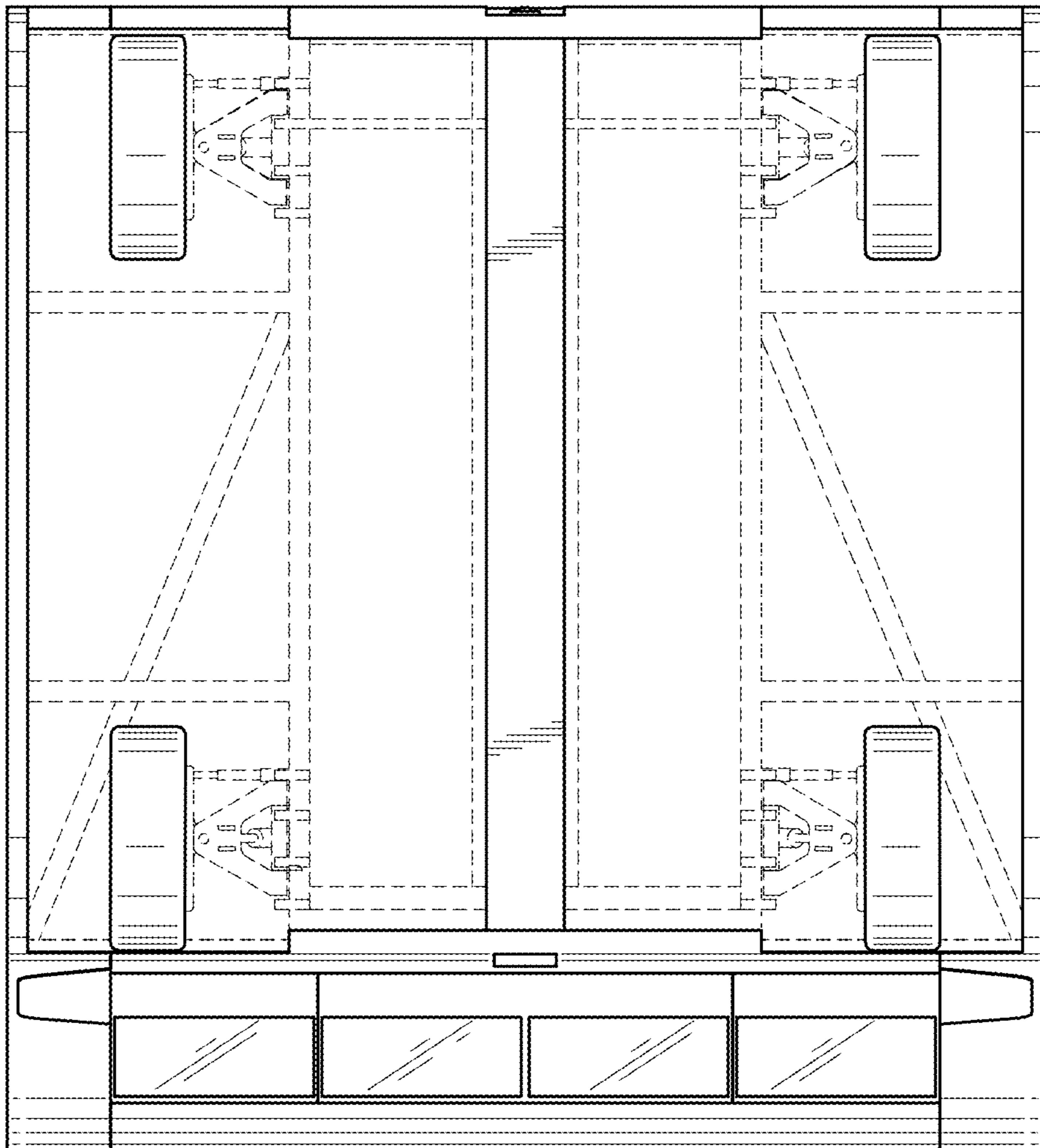


FIG. 5

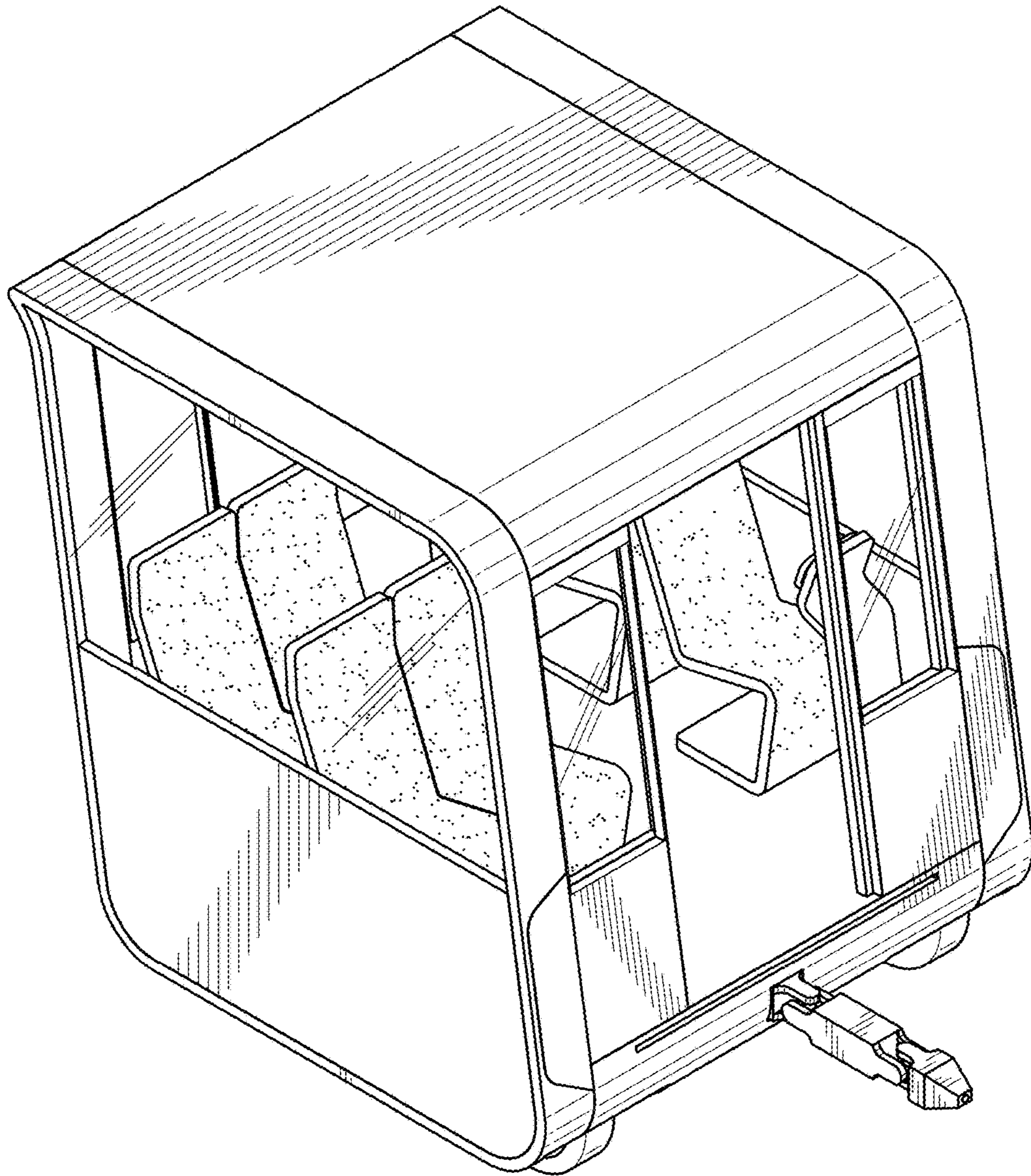


FIG. 6

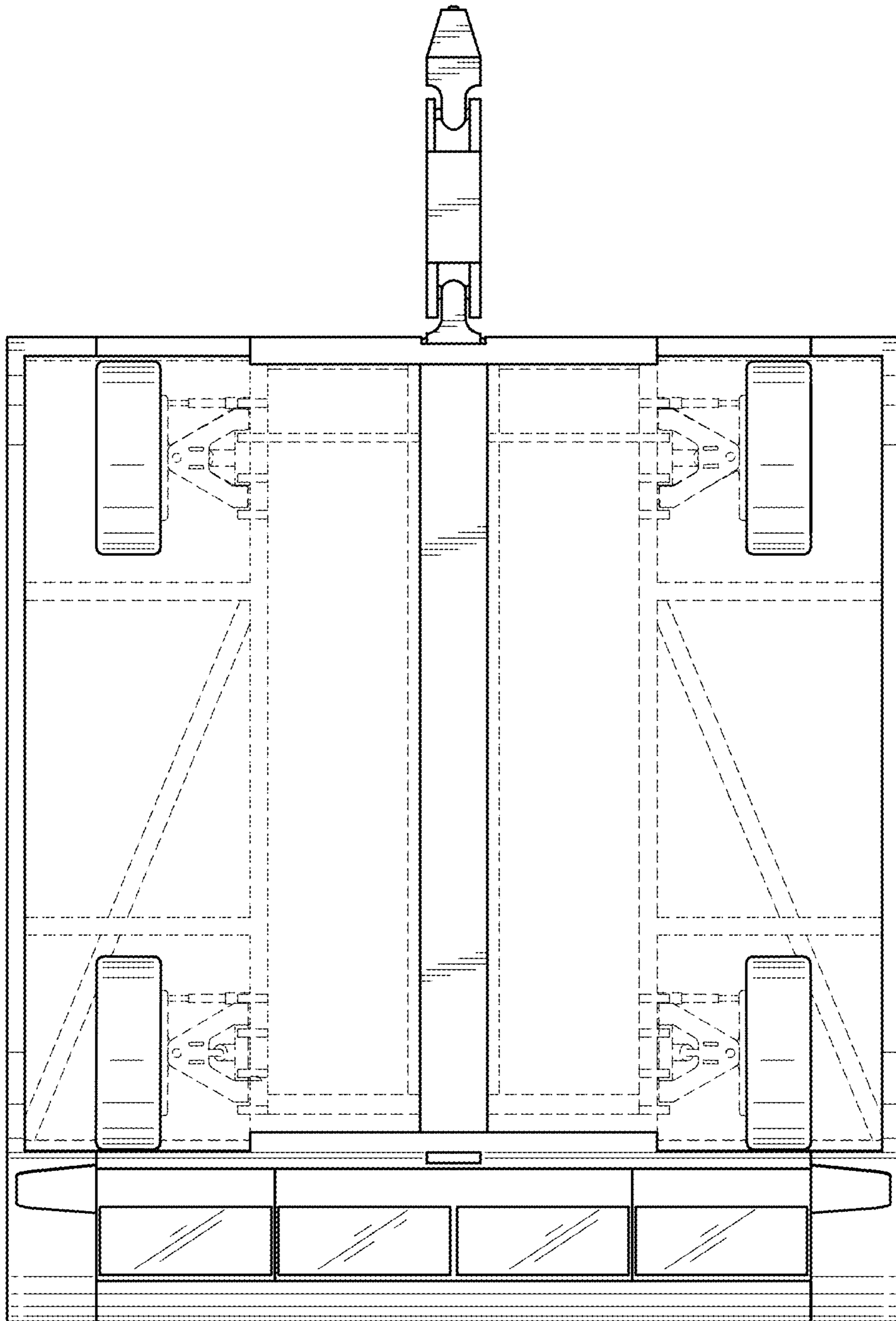


FIG. 7