



US00D784851S

(12) **United States Design Patent**
Lin et al.

(10) **Patent No.:** **US D784,851 S**
(45) **Date of Patent:** **** Apr. 25, 2017**

(54) **BUCKLE**

(57) **CLAIM**

(71) Applicant: **Intex Recreation Corp.**, Long Beach, CA (US)

We claim the ornamental design for a buckle, as shown and described.

(72) Inventors: **Hua Hsiang Lin**, Fujian (CN); **Yaw Yuan Hsu**, Fujian (CN)

(73) Assignee: **Intex Marketing Ltd.**, Tortola (VG)

(**) Term: **15 Years**

(21) Appl. No.: **29/533,217**

(22) Filed: **Jul. 15, 2015**

(30) **Foreign Application Priority Data**

Jan. 29, 2015 (CN) 2015 3 0027874

(51) **LOC (10) Cl.** **02-07**

(52) **U.S. Cl.**
USPC **D11/216**

(58) **Field of Classification Search**
USPC D11/1-2, 200-201, 206-210, 214-218;
24/163 R, 169-171, 173, 177-179, 191,
(Continued)

(56) **References Cited**

U.S. PATENT DOCUMENTS

4,569,106 A 2/1986 Lovato
4,813,108 A 3/1989 Geldwerth
(Continued)

OTHER PUBLICATIONS

Nabaiji Swimming Float Photographs, available at least as early as Dec. 23, 2014, 4 pages.

(Continued)

Primary Examiner — Ralf Seifert

(74) *Attorney, Agent, or Firm* — Faegre Baker Daniels LLP

DESCRIPTION

FIG. 1 is a perspective view of a buckle in a fastened configuration;
FIG. 2 is a top plan view of the buckle of FIG. 1;
FIG. 3 is a bottom plan view of the buckle of FIG. 1;
FIG. 4 is a left side elevational view of the buckle of FIG. 1;
FIG. 5 is a right side elevational view of the buckle of FIG. 1;
FIG. 6 is a front elevational view of the buckle of FIG. 1;
FIG. 7 is a rear elevational view of the buckle of FIG. 1;
FIG. 8 is a perspective view of the buckle in an unfastened configuration to show a male portion and a female portion of the buckle;
FIG. 9 is a top plan view of the male portion of the buckle of FIG. 8;
FIG. 10 is a bottom plan view of the male portion of the buckle of FIG. 8;
FIG. 11 is a left side elevational view of the male portion of the buckle of FIG. 8;
FIG. 12 is a right side elevational view of the male portion of the buckle of FIG. 8;
FIG. 13 is a front elevational view of the male portion of the buckle of FIG. 8;
FIG. 14 is a rear elevational view of the male portion of the buckle of FIG. 8;
FIG. 15 is a top plan view of the female portion of the buckle of FIG. 8;
FIG. 16 is a bottom plan view of the female portion of the buckle of FIG. 8;
FIG. 17 is a left side elevational view of the female portion of the buckle of FIG. 8;
FIG. 18 is a right side elevational view of the female portion of the buckle of FIG. 8;
FIG. 19 is a front elevational view of the female portion of the buckle of FIG. 8; and,

(Continued)

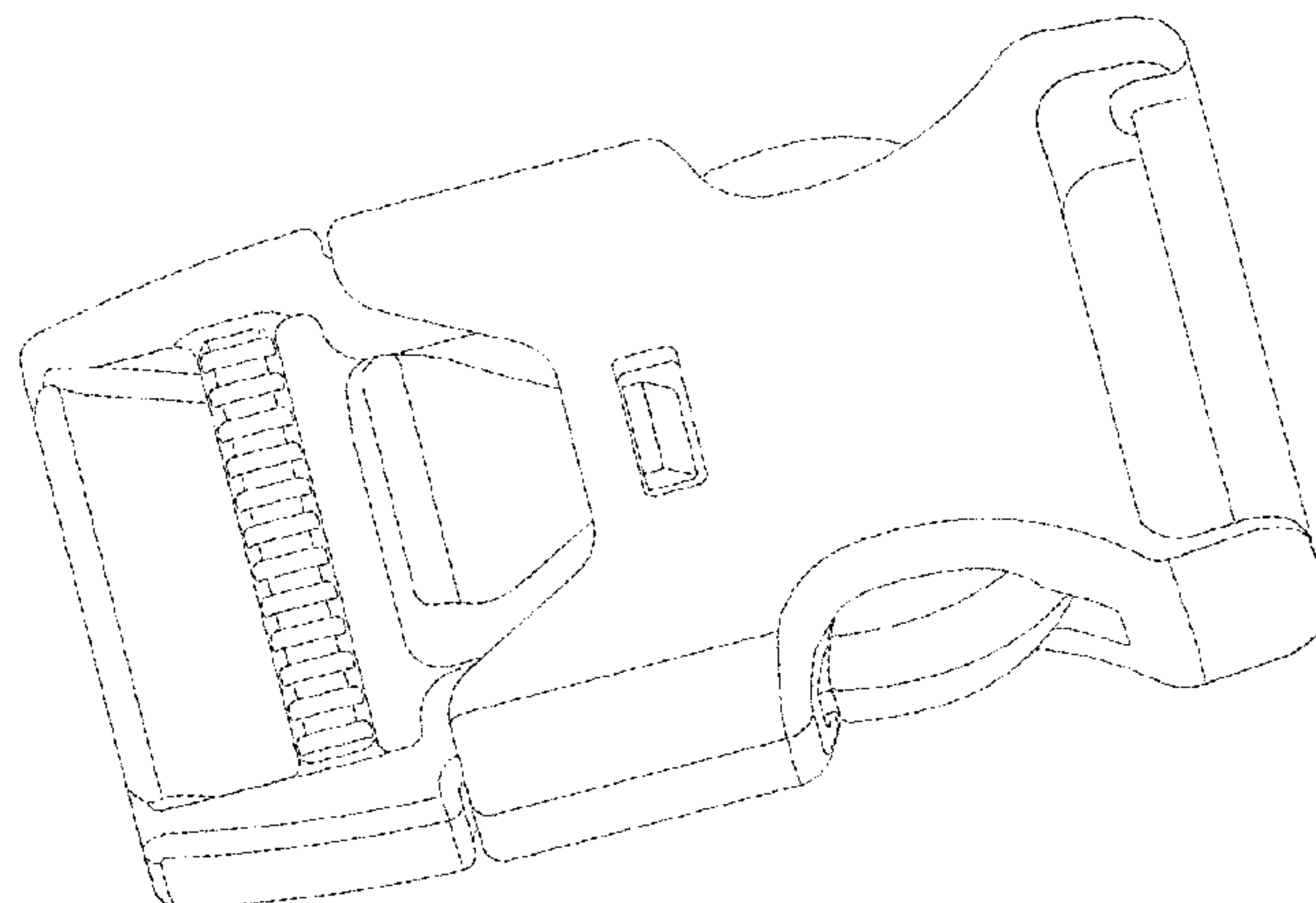


FIG. 20 is a rear elevational view of the female portion of the buckle of FIG. 8.

1 Claim, 11 Drawing Sheets

(58) Field of Classification Search

USPC 24/194-195, 197, 200, 614-616, 625, 24/198, 578.11, 578.1, 163 K, 114
CPC A44B 11/26; A44B 11/25; A44B 11/06
See application file for complete search history.

(56) References Cited

U.S. PATENT DOCUMENTS

4,825,515 A * 5/1989 Wolterstorff, Jr. ... A44B 11/263
24/196
4,831,694 A * 5/1989 Kong A44B 11/266
24/606
D303,233 S * 9/1989 Jang D11/216

D320,178 S * 9/1991 Kasai D11/200
D340,886 S * 11/1993 Anscher D11/200
5,263,234 A 11/1993 Fudaki
5,517,836 A * 5/1996 Hong A44B 11/266
70/30
6,684,466 B2 2/2004 Nishida et al.
7,150,082 B2 12/2006 Beletsky
D576,519 S * 9/2008 Uehara D11/216
D597,441 S * 8/2009 Uehara D11/216
7,681,288 B1 3/2010 Giampavolo
7,725,993 B1 6/2010 Giampavolo
8,281,464 B2 * 10/2012 Shen A44B 11/266
24/614
8,484,814 B2 7/2013 Parisi

OTHER PUBLICATIONS

Nabaiji Swimming Float Website, http://www.decathlon.co.uk/swimming-float-blue-belt-15-60-kg-id_8178560.html, accessed Feb. 11, 2015, 2 pages.

* cited by examiner

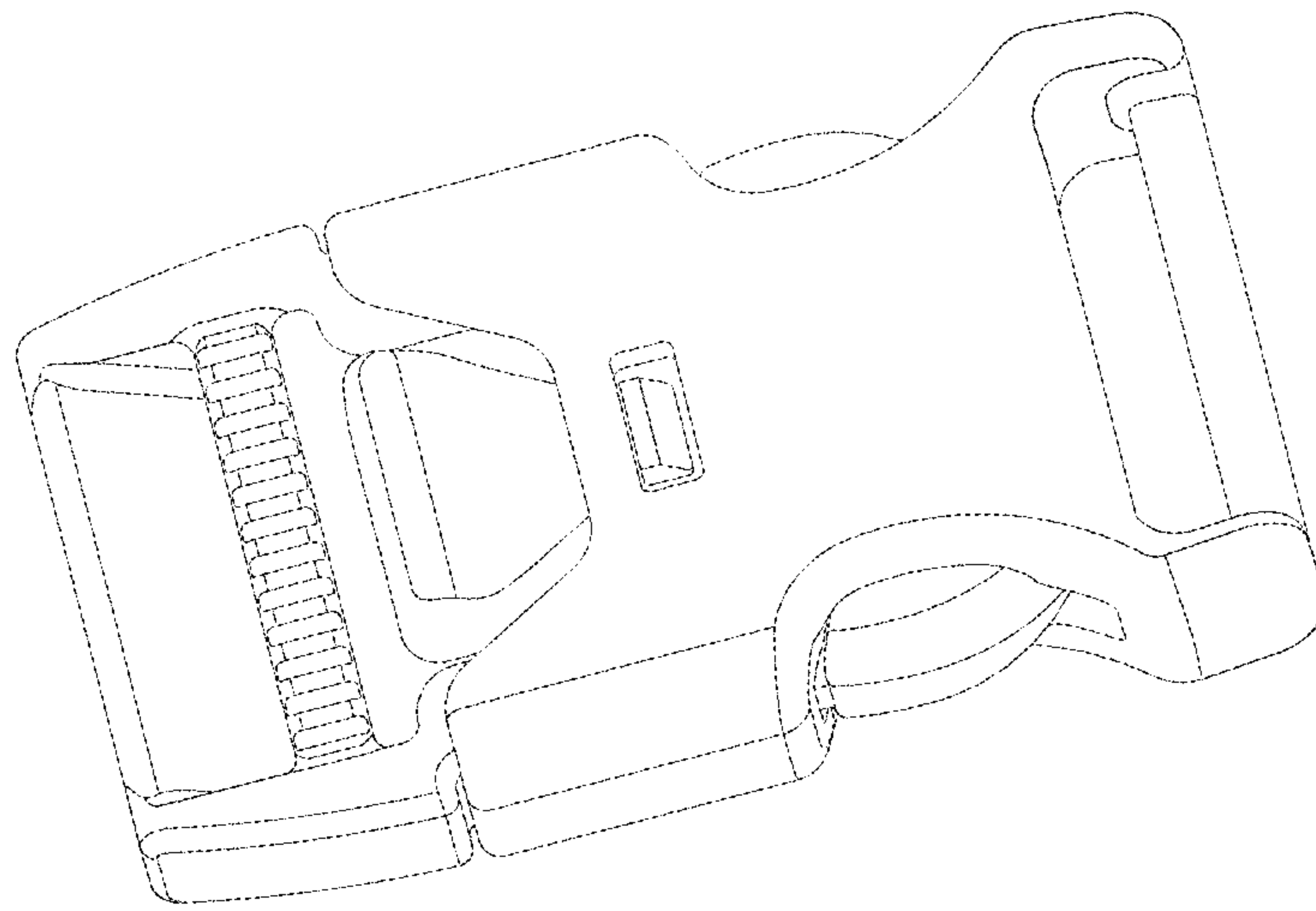


FIG. 1

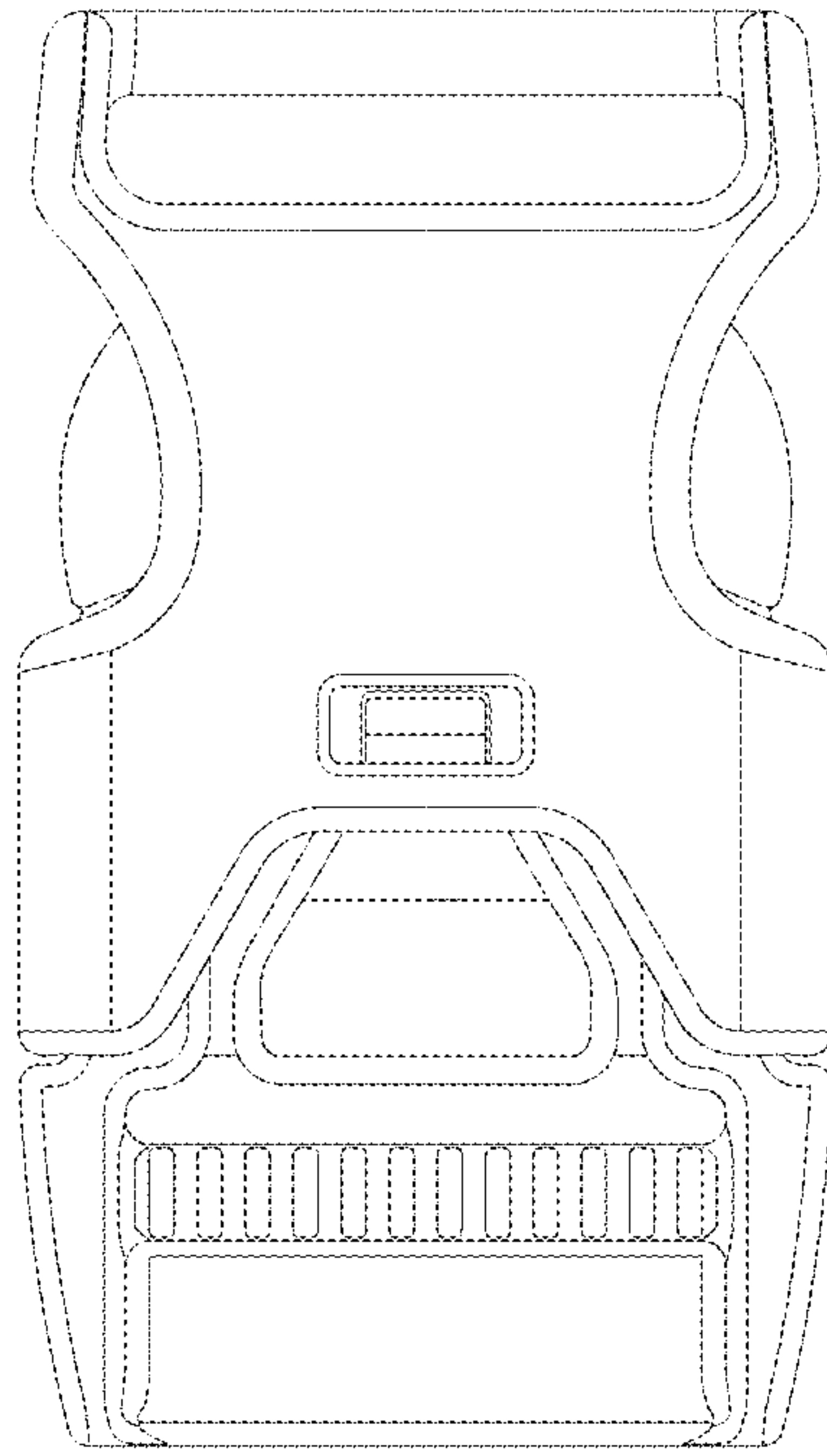


FIG. 2

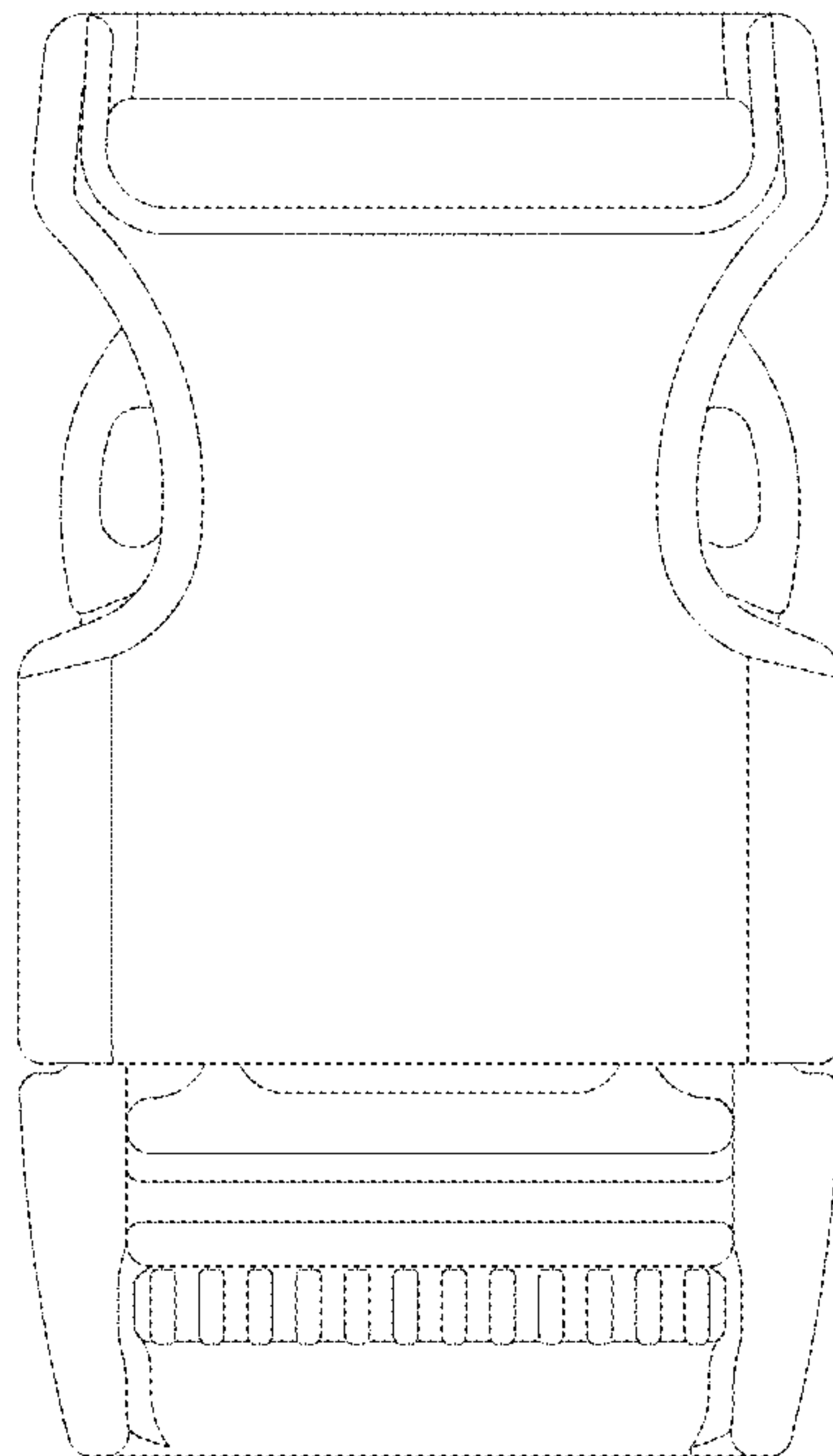


FIG. 3

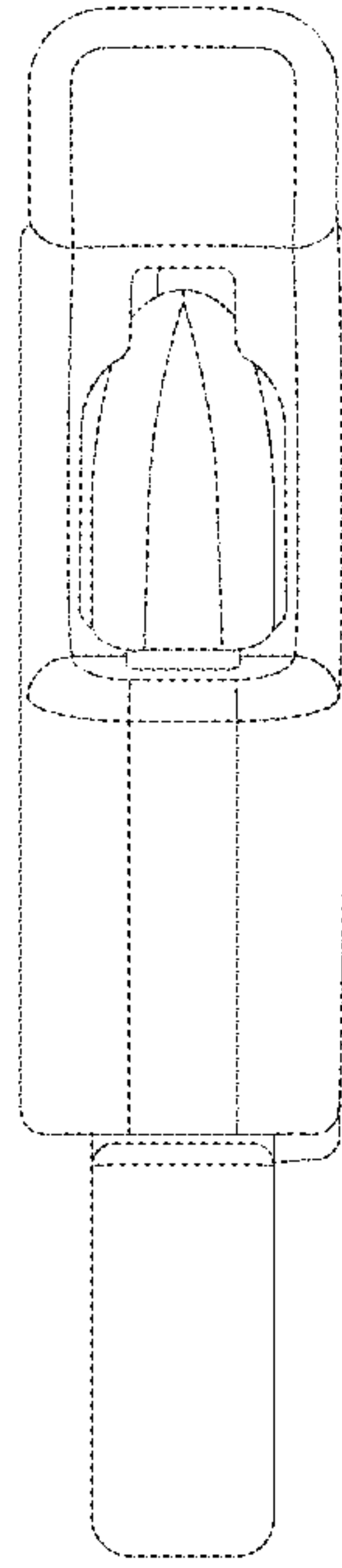


FIG. 4

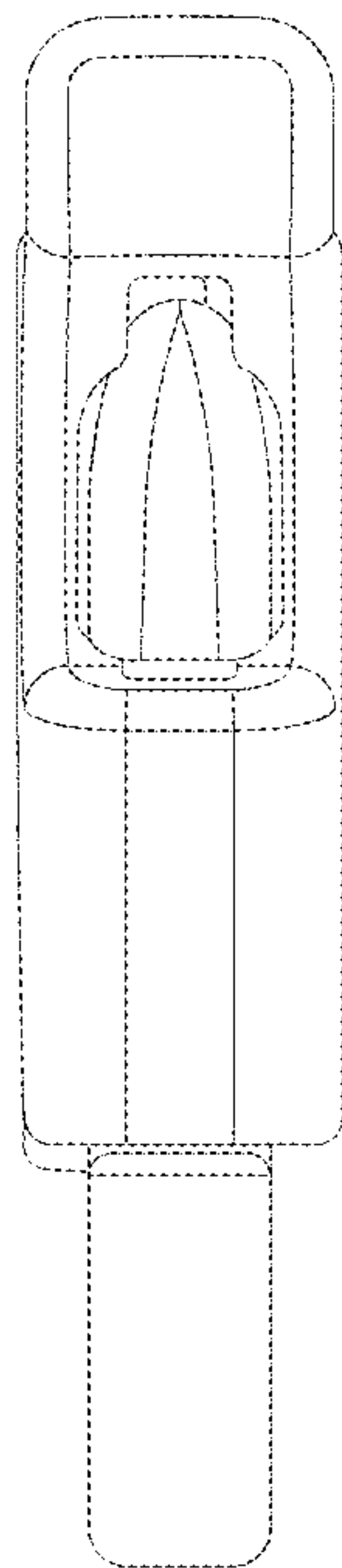


FIG. 5

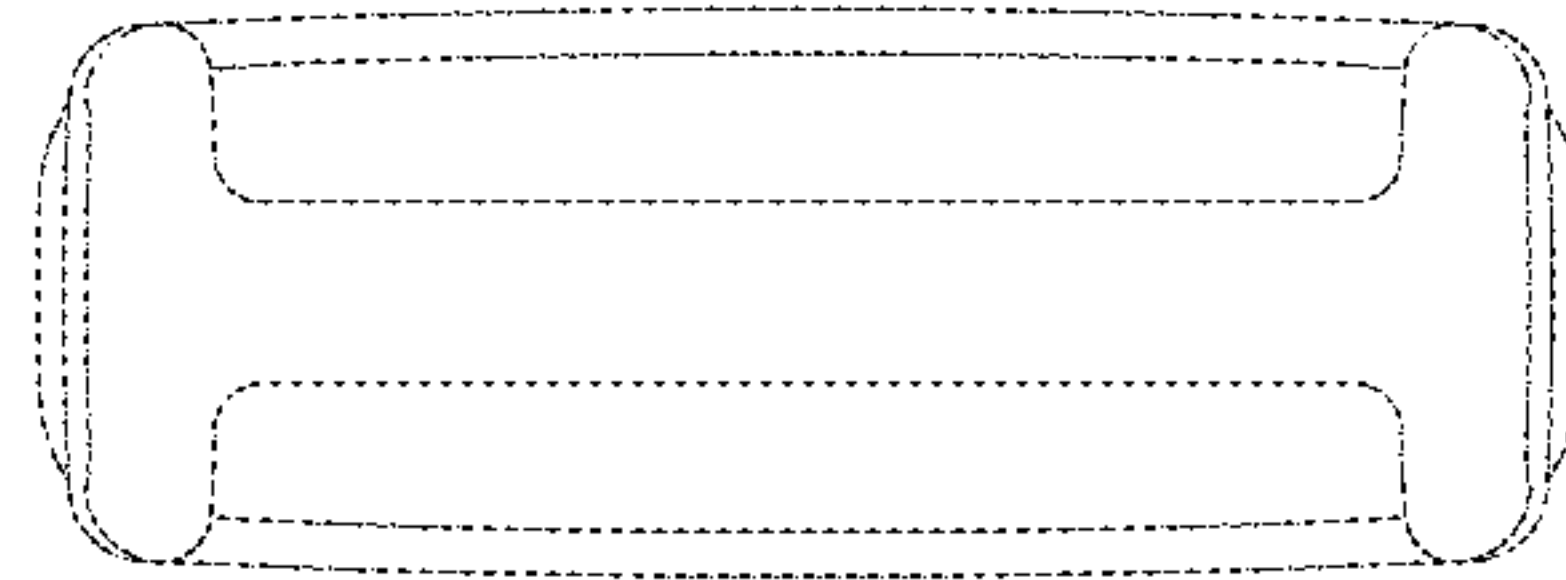


FIG. 6

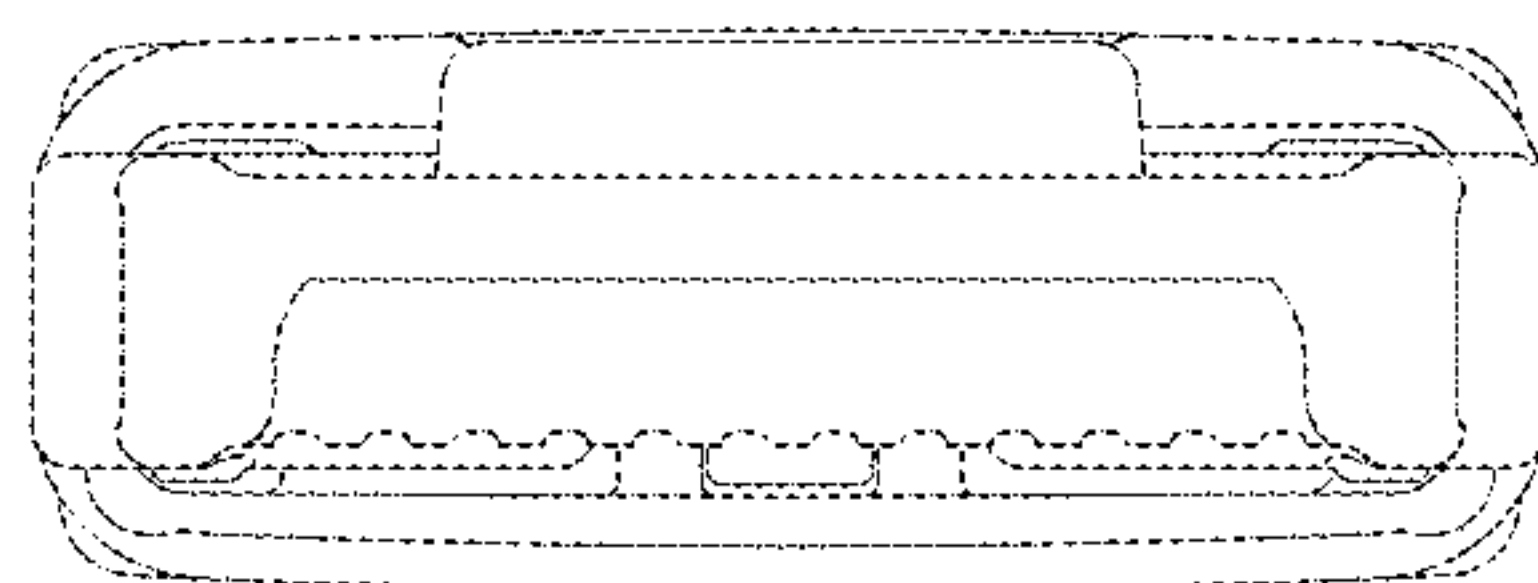


FIG. 7

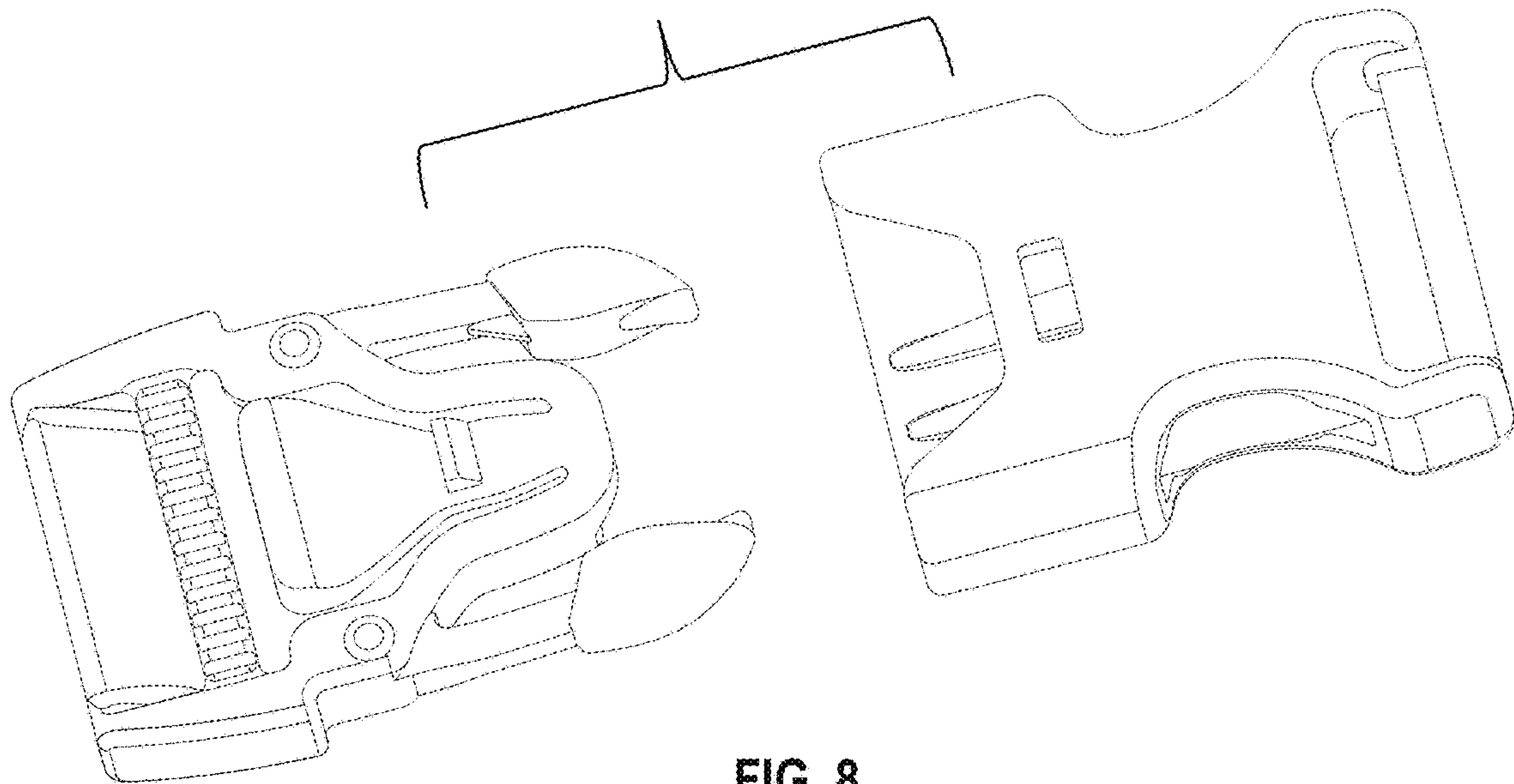


FIG. 8

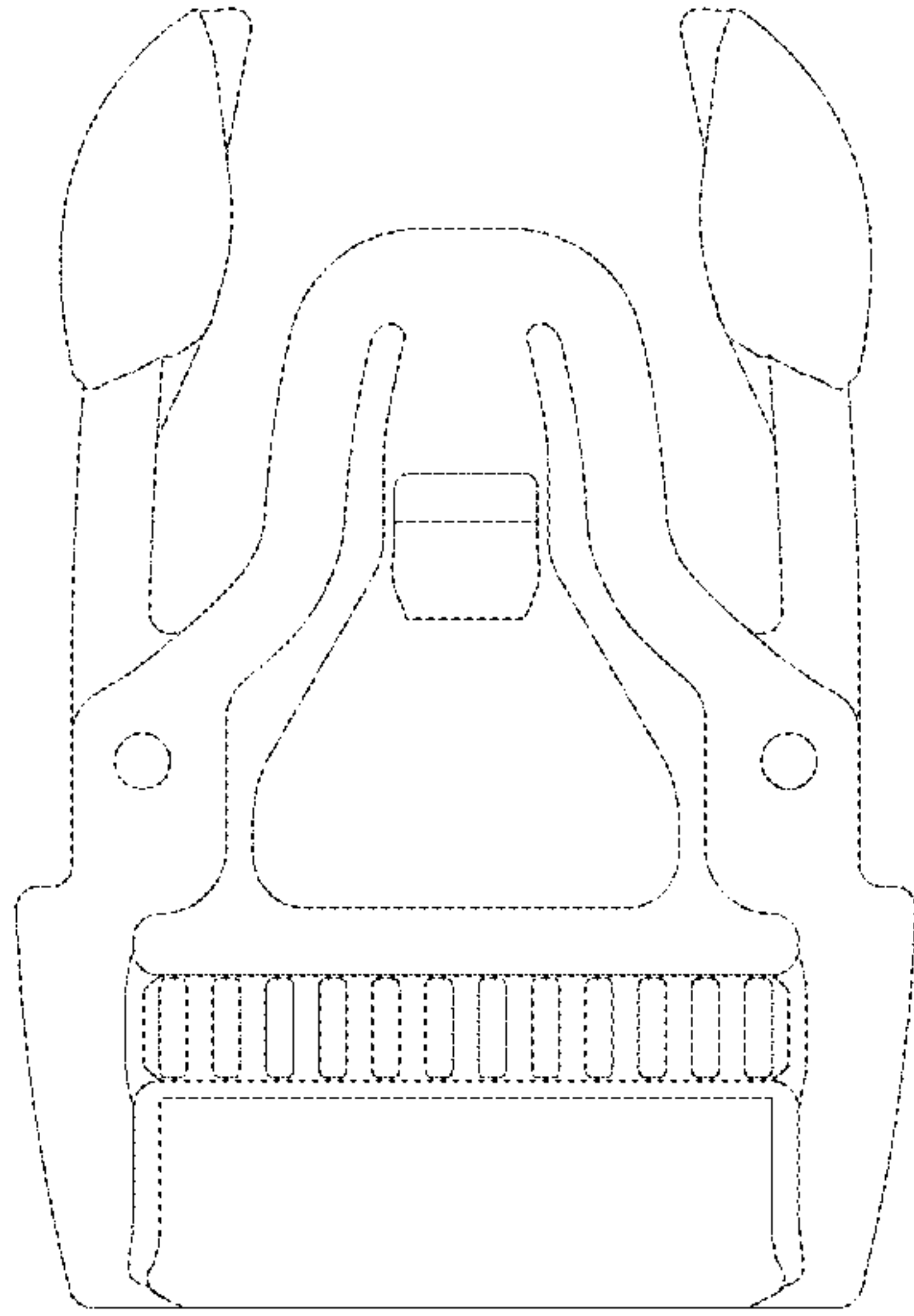


FIG. 9

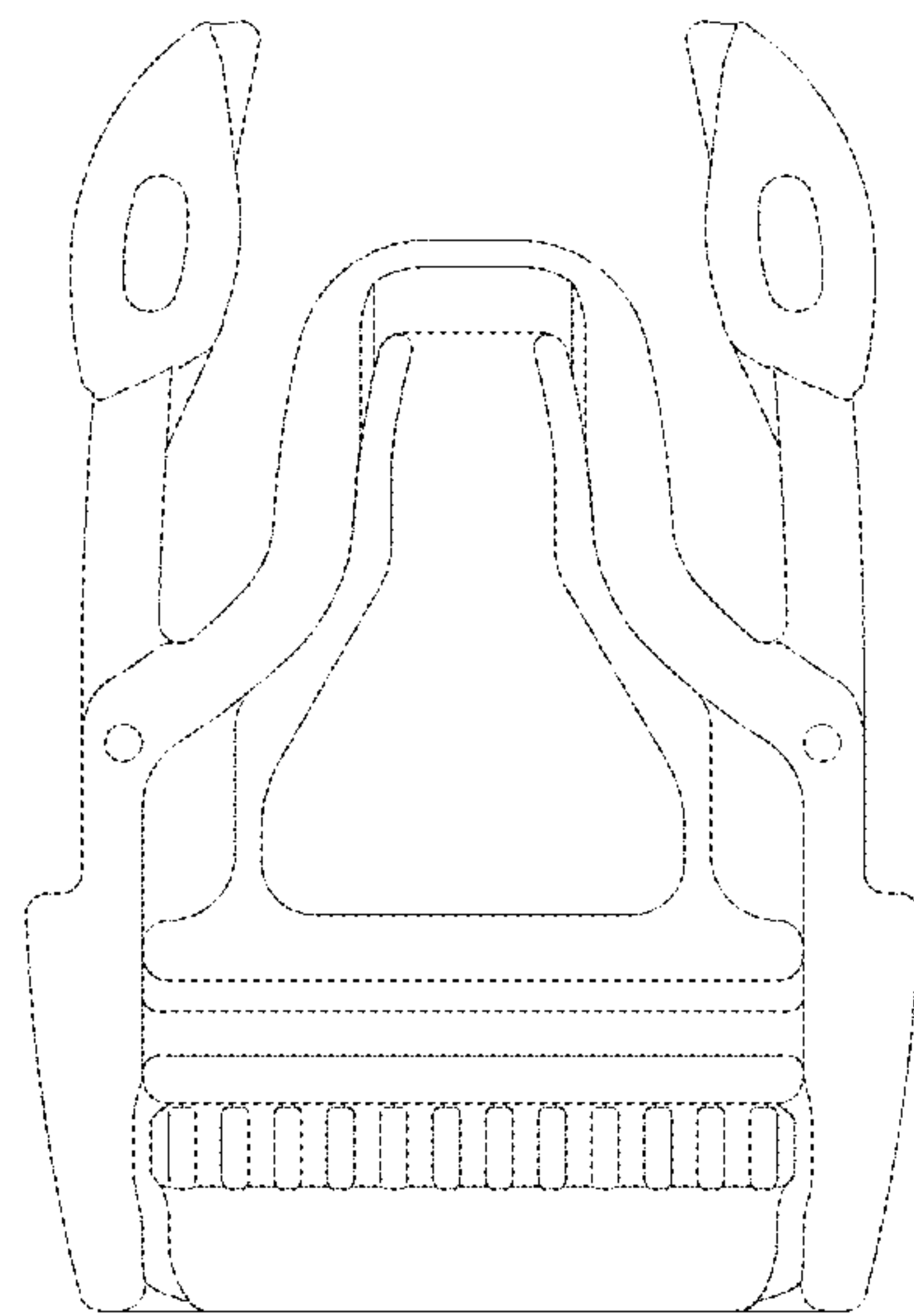


FIG. 10

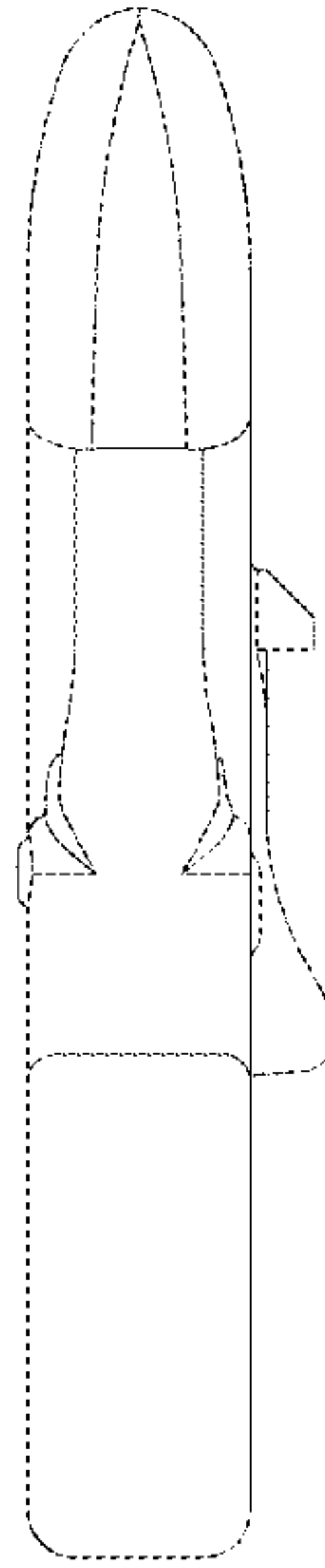


FIG. 11

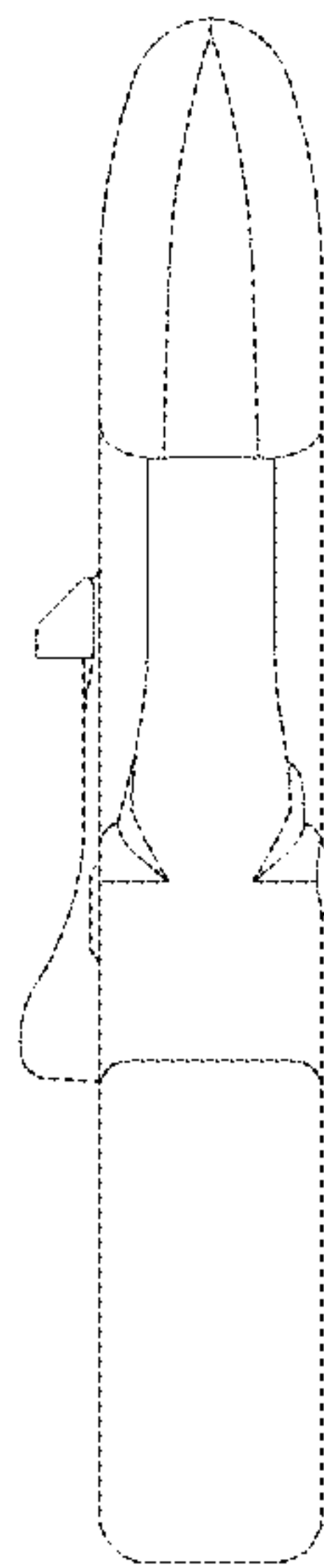


FIG. 12

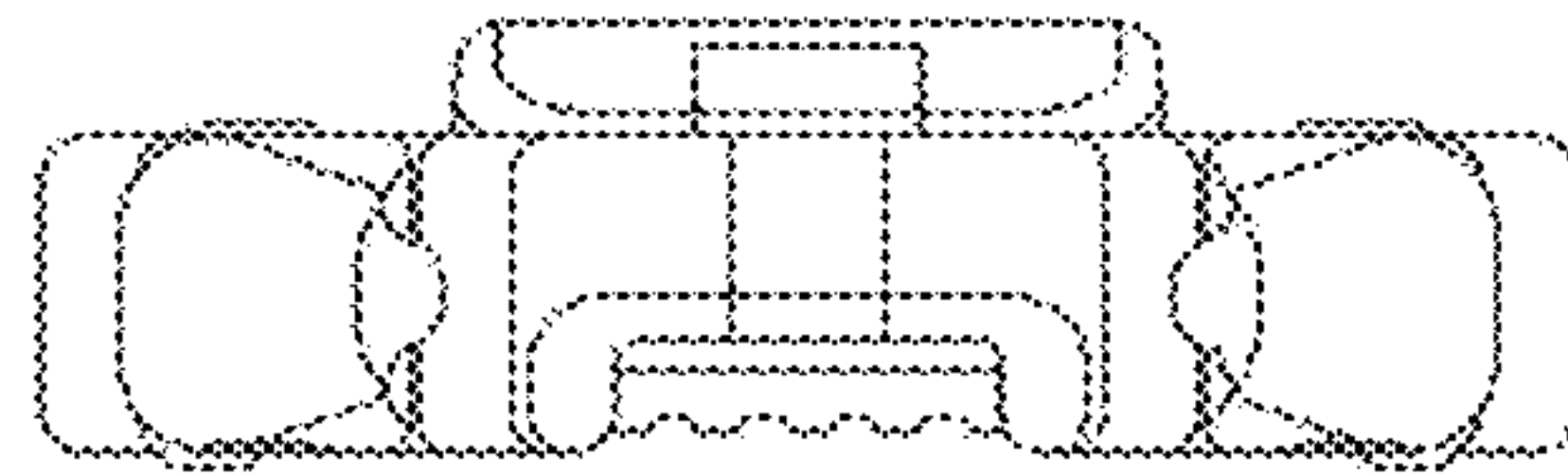


FIG. 13

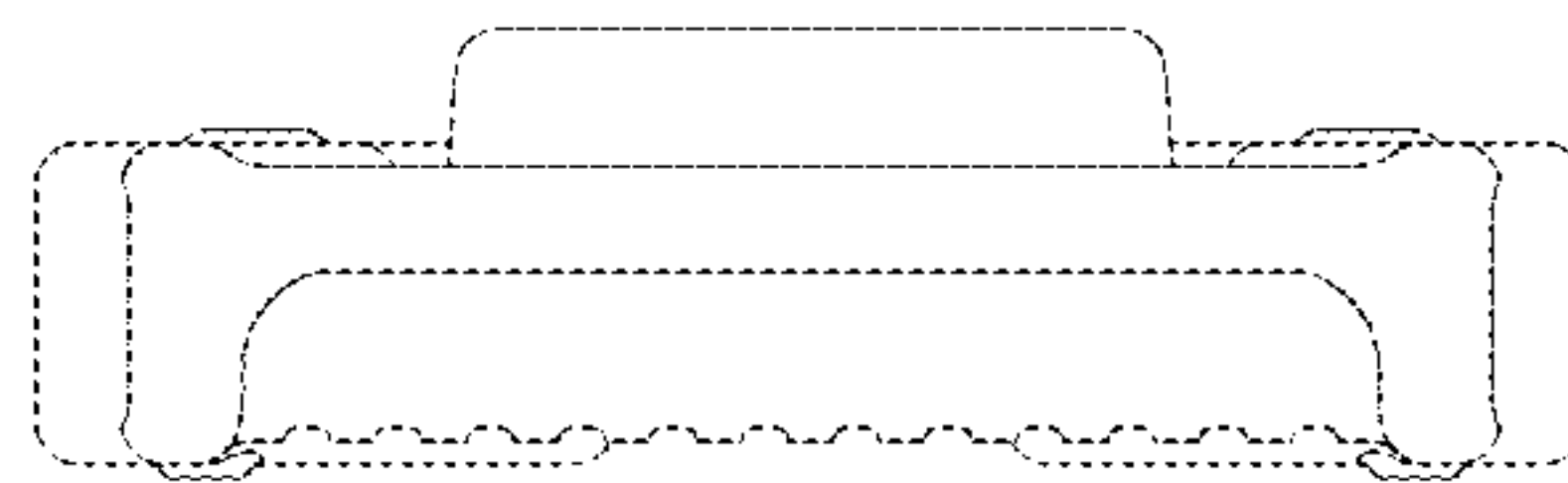


FIG. 14

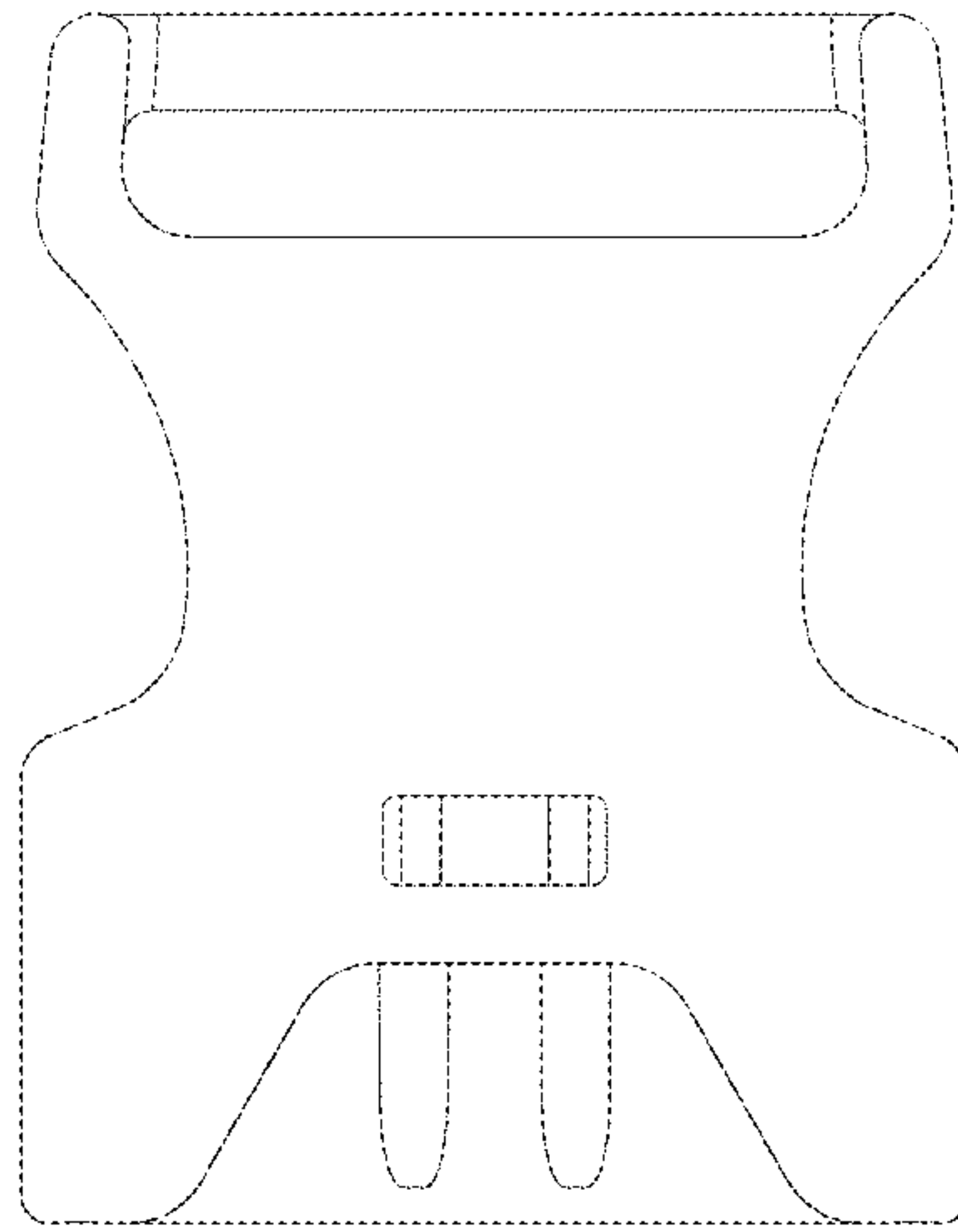


FIG. 15

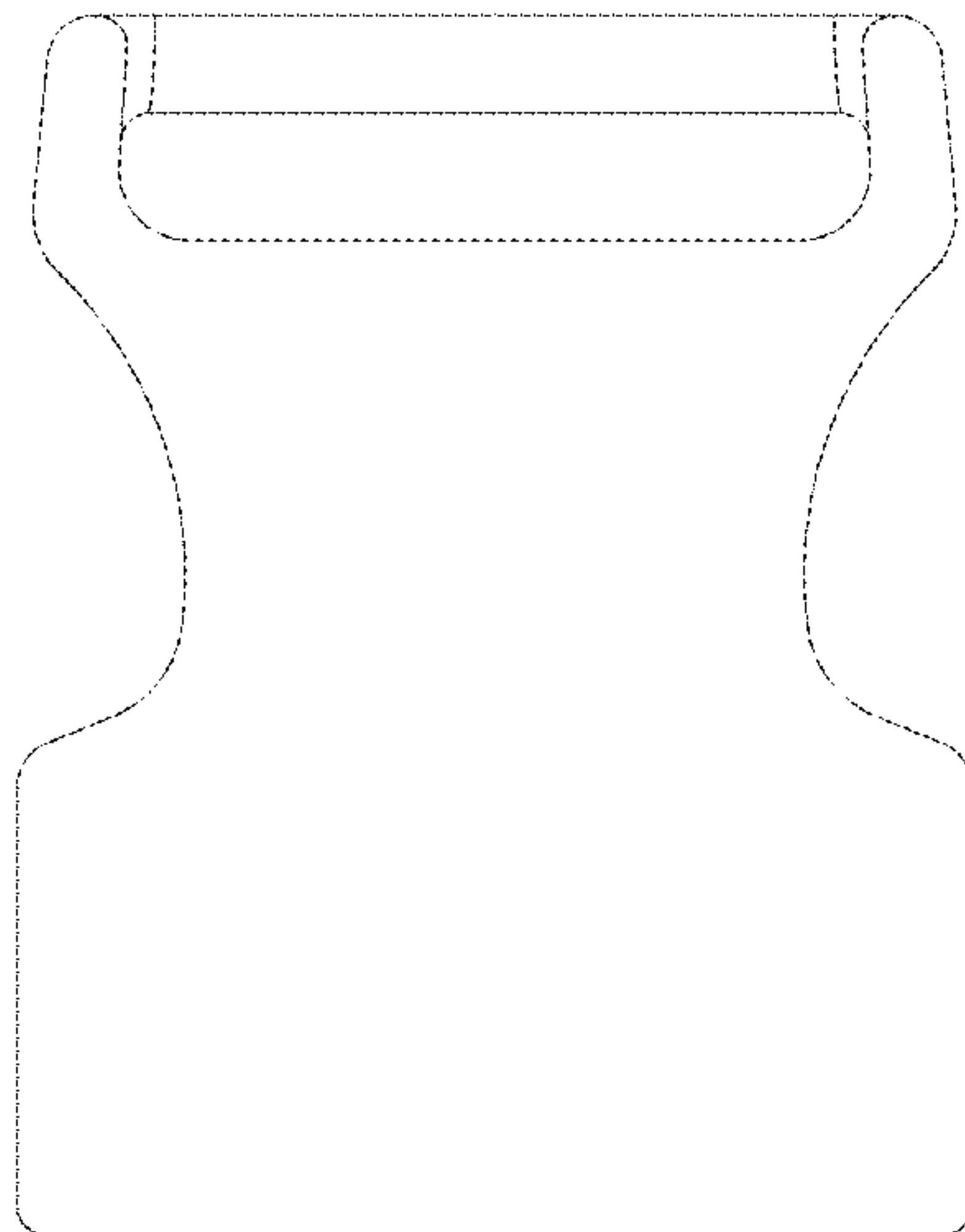


FIG. 16

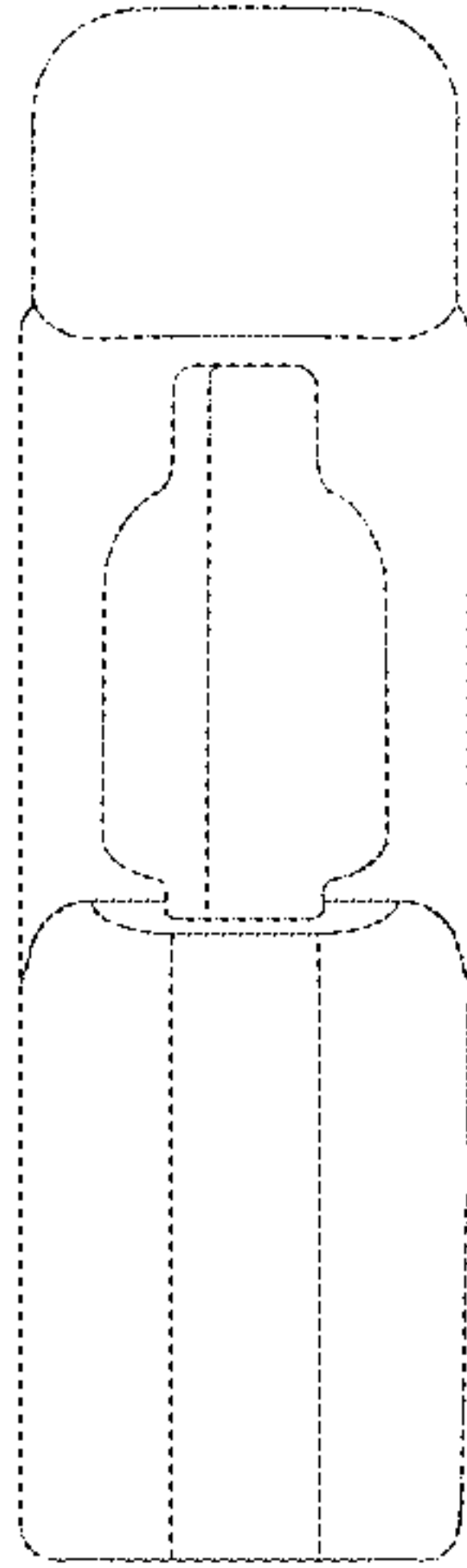


FIG. 17

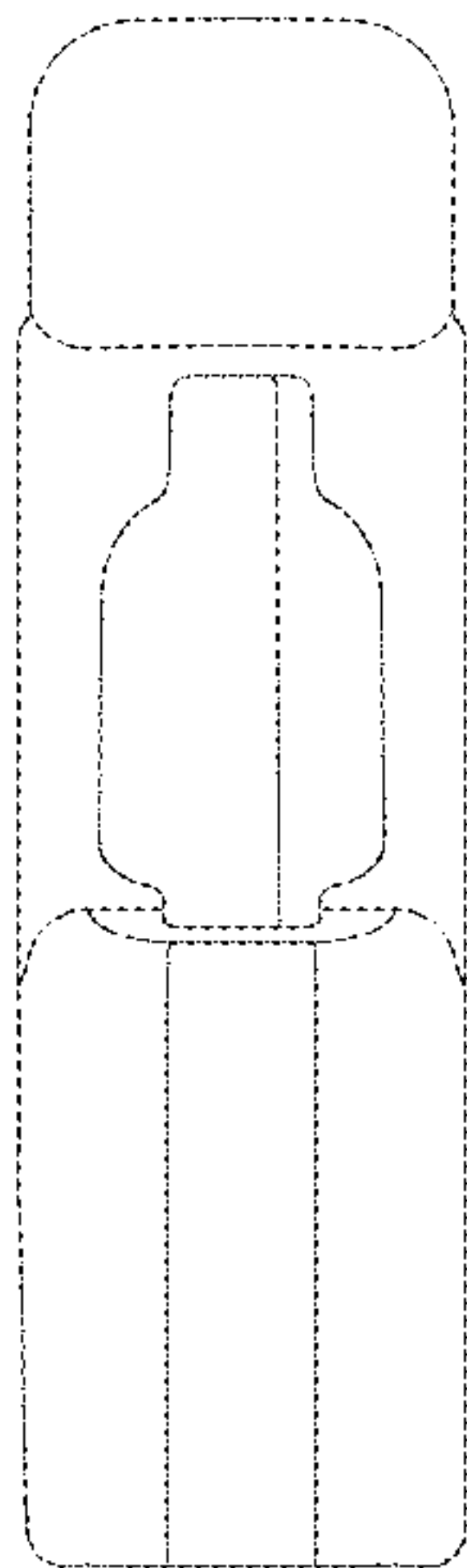


FIG. 18

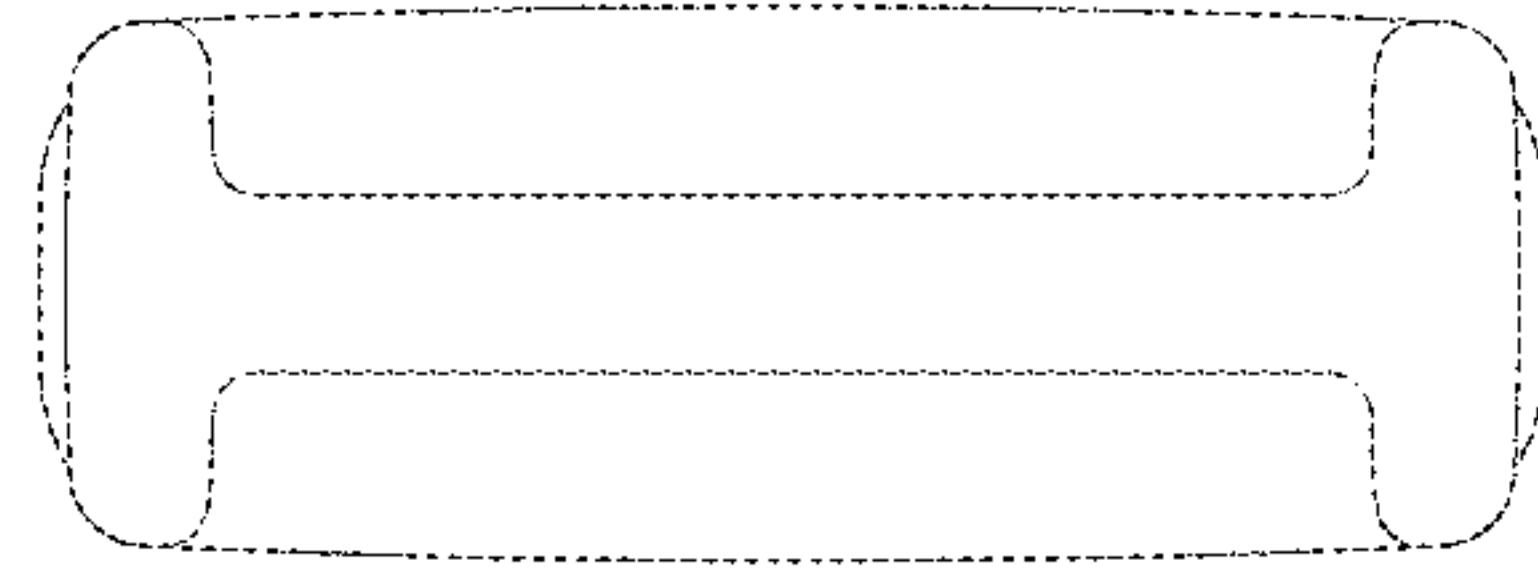


FIG. 19

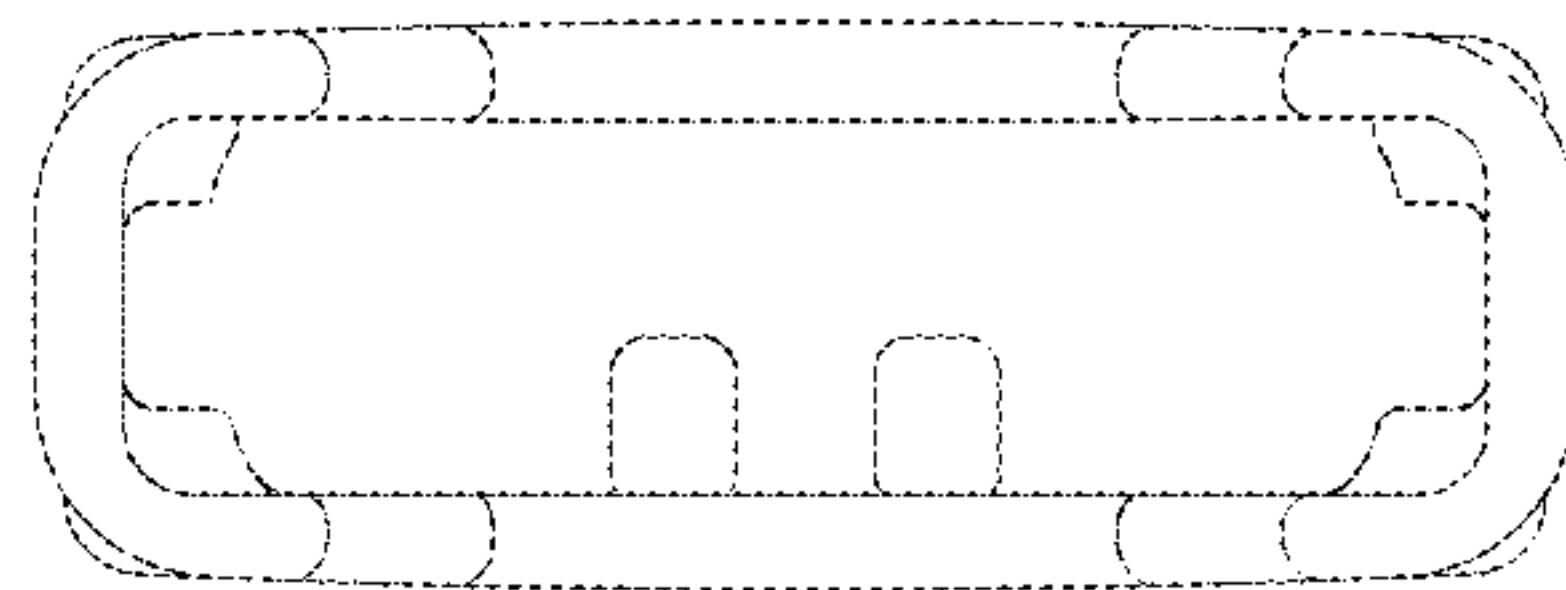


FIG. 20