



US00D784850S

(12) **United States Design Patent**
Kawase

(10) **Patent No.:** **US D784,850 S**

(45) **Date of Patent:** **** Apr. 25, 2017**

(54) **FOLDABLE FIGURINE**

(71) Applicant: **Yasuteru Kawase**, Aichi (JP)

(72) Inventor: **Yasuteru Kawase**, Aichi (JP)

(**) Term: **15 Years**

(21) Appl. No.: **29/554,877**

(22) Filed: **Feb. 16, 2016**

(51) **LOC (10) Cl.** **11-02**

(52) **U.S. Cl.**

USPC **D11/160**; D11/142; D21/621; D21/630

(58) **Field of Classification Search**

USPC D11/30-32, 48, 49, 53-58, 81-83,
D11/99-104, 107, 121, 125-128, 131,
D11/133-137, 142, 149, 150, 157, 158,
D11/160, 162, 184; D21/483, 576, 578,
D21/579, 585, 587, 593, 594, 606, 621,
D21/623, 626, 630, 633, 653, 658;
D20/29-33; 446/97-99, 102-106,
446/124-128, 268, 313, 330, 371, 376,
446/377, 387, 388, 390; 428/4, 8, 9, 11

CPC A63H 33/16; A63H 33/08; A63H 33/084;
A63H 3/08; A63H 3/16; B31D 5/04

See application file for complete search history.

(56) **References Cited**

U.S. PATENT DOCUMENTS

D204,394 S *	4/1966	Wendt	D21/578
D248,881 S *	8/1978	Goldfarb	D21/621
4,377,917 A *	3/1983	Guidry	B42D 15/042
			229/117.01
4,798,317 A *	1/1989	Lonczak	A63H 33/16
			223/66
D474,514 S *	5/2003	Price	D21/594
D636,448 S *	4/2011	Eisenstein	D21/621
D650,869 S *	12/2011	Eisenstein	D21/621
D658,501 S *	5/2012	Modaberi	D21/578
D689,136 S *	9/2013	Crutchley	D19/86

D739,480 S *	9/2015	Hernandez Ortega	D15/199
2013/0095723 A1 *	4/2013	Sadri	A63H 33/08
			446/101
2015/0196847 A1 *	7/2015	Diaz	A63H 3/16
			446/97
2016/0008726 A1 *	1/2016	Morris	A63H 33/106
			446/314

(Continued)

OTHER PUBLICATIONS

YAM Paper Toys from CoreyBarba.com (via thelittlechimpsociety.com), available Apr. 7, 2009, [online], [site visited Feb. 4, 2017]. Available from internet, <URL: <http://www.thelittlechimpsociety.com/2009/04/yam-paper-toys-from-coreybarba.com/>>.*

(Continued)

Primary Examiner — Cathron Brooks
Assistant Examiner — Teddy Falloway
(74) *Attorney, Agent, or Firm* — Dunlap Bennett & Ludwig PLLC

(57) **CLAIM**

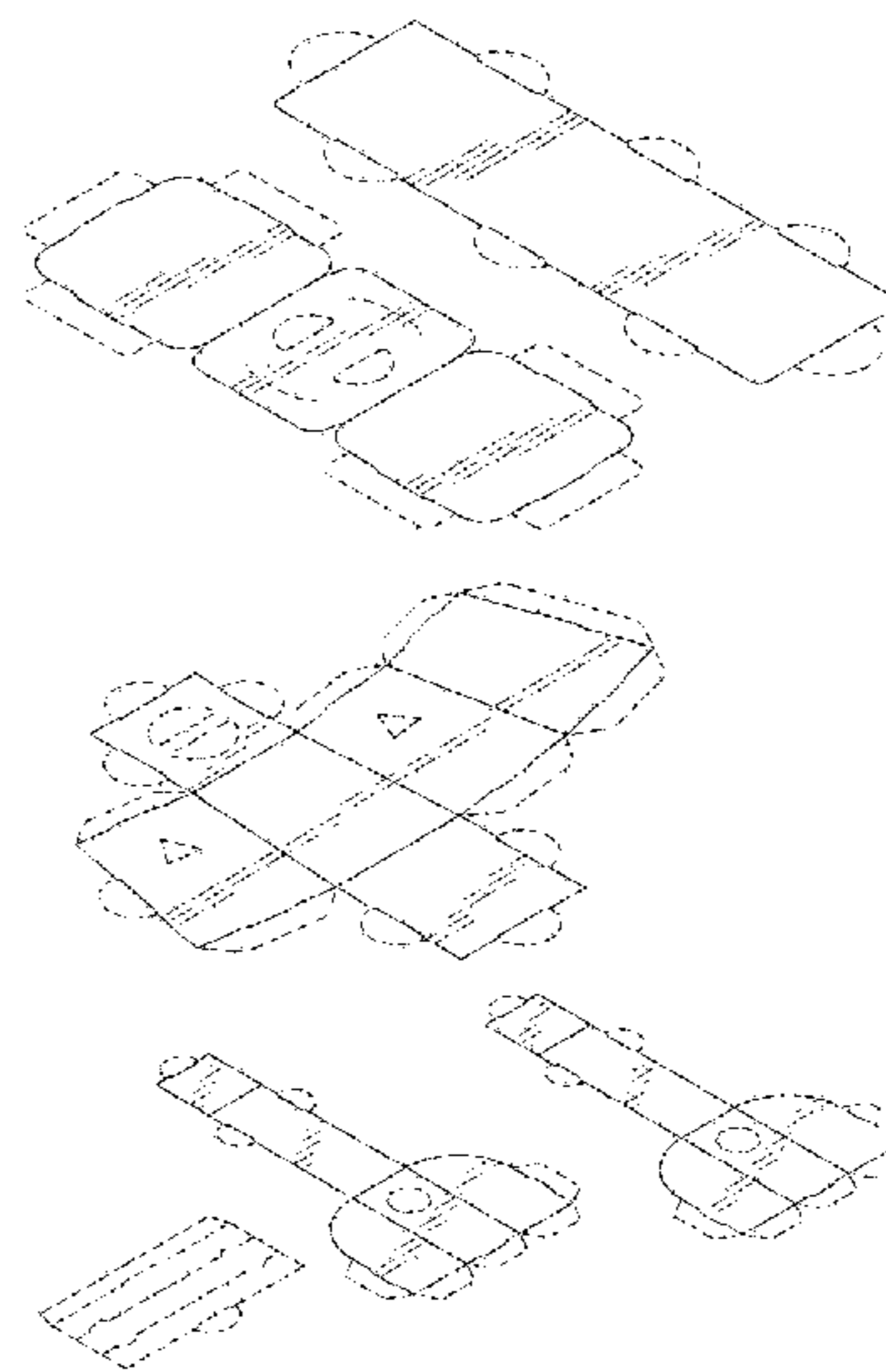
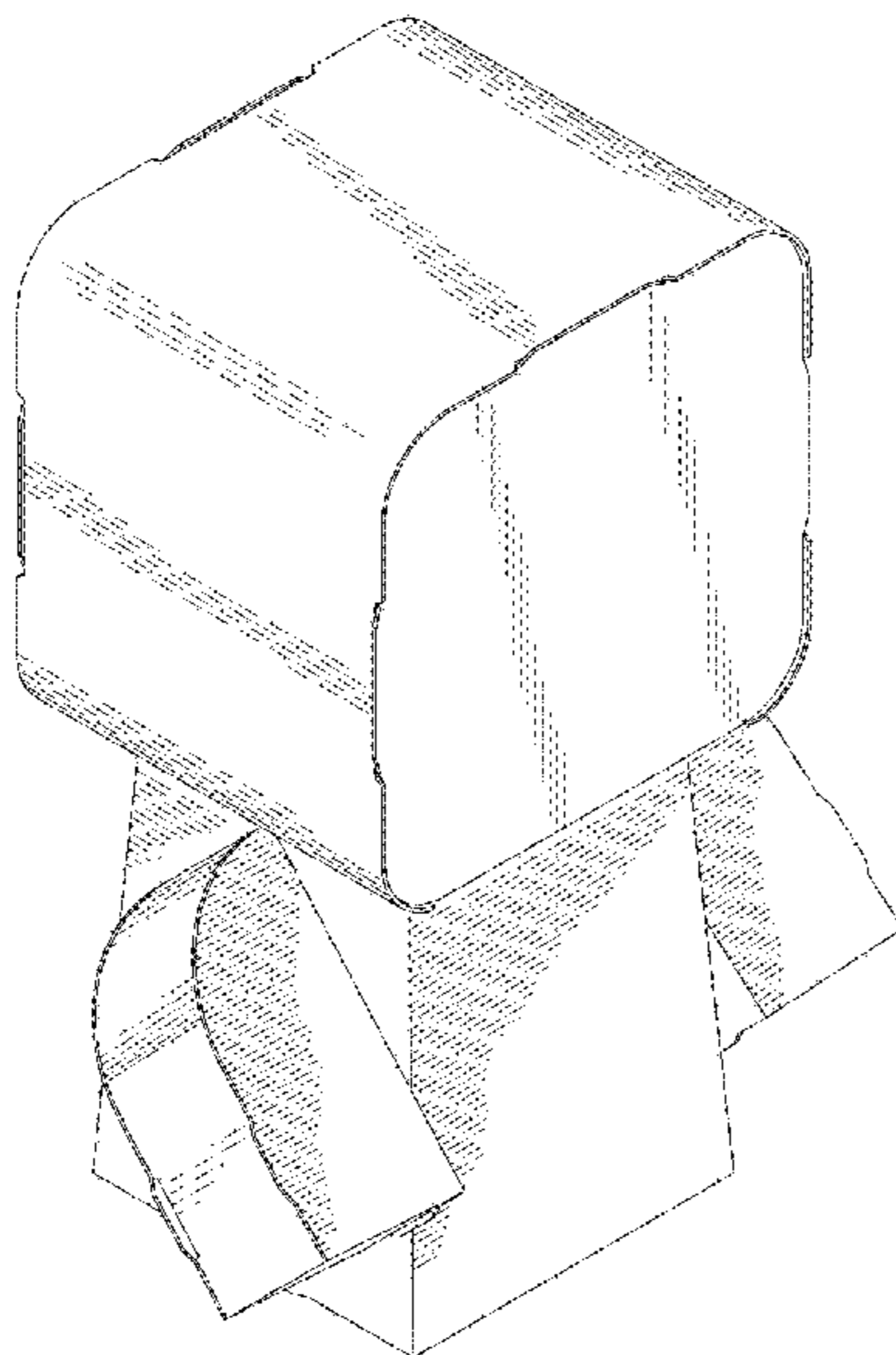
The ornamental design for a foldable figurine, as shown and described.

DESCRIPTION

FIG. 1 is a top front perspective view of a foldable figurine; FIG. 2 is a front elevation view of FIG. 1; FIG. 3 is a rear elevation view of FIG. 1; FIG. 4 is a right side elevation view of FIG. 1; FIG. 5 is a left side elevation view of FIG. 1; FIG. 6 is a top plan view of FIG. 1; FIG. 7 is a bottom plan view of FIG. 1; and, FIG. 8 is a top front perspective view thereof, shown with the foldable figurine in an unfolded and unassembled condition.

The broken lines shown in FIG. 8 depict portions of the foldable figurine that form no part of the claimed design.

1 Claim, 8 Drawing Sheets



(56)

References Cited

U.S. PATENT DOCUMENTS

2016/0129362 A1* 5/2016 Zebersky A63H 33/3055
446/488
2016/0339352 A1* 11/2016 Liu A63H 33/06

OTHER PUBLICATIONS

Minecraft papercrafts (via Homi Craft), available Sep. 6, 2015, [online], [site visited Feb. 4, 2017]. Available from internet, <URL: <http://homicraft.com/minecraft-papercrafts.html>.*

Couple Hand Holding Heart, available Jul. 4, 2014, [online], [site visited Feb. 4, 2017]. Available from internet, <URL: <https://web.archive.org/web/20140704105550/http://www.smsfi.com/wallpapers/love/valentine/couple-hand-holding-heart>.*

* cited by examiner

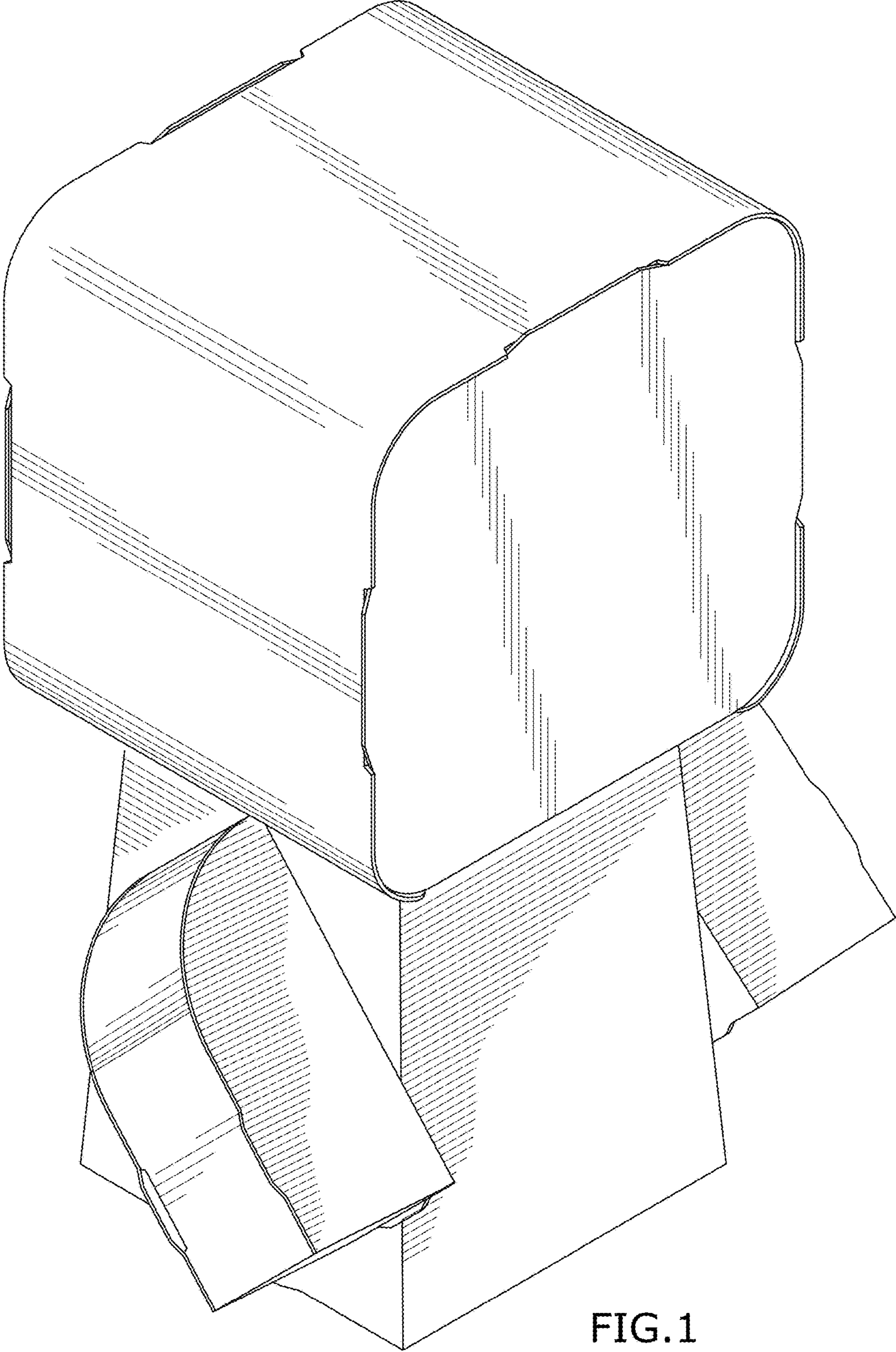


FIG. 1

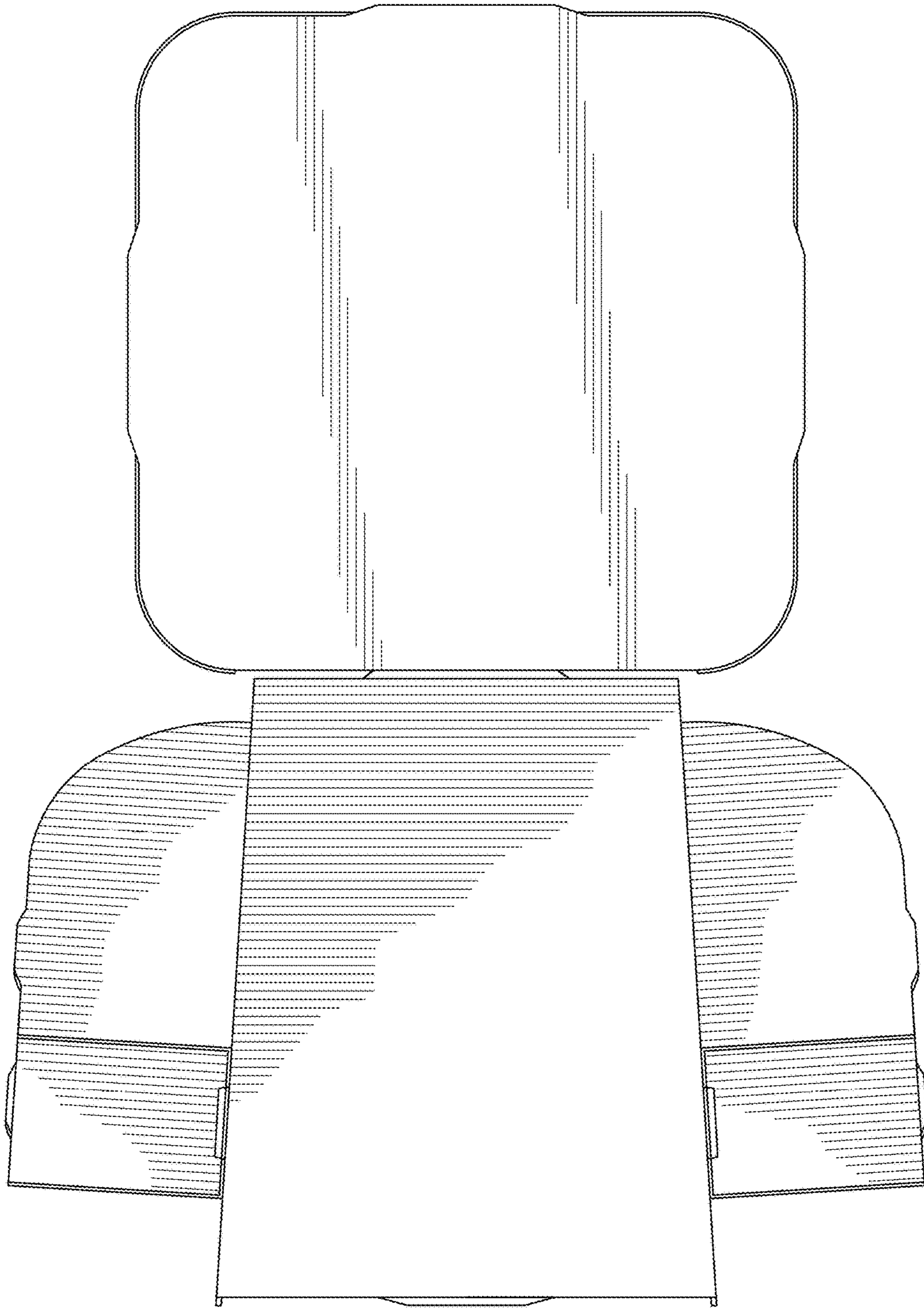


FIG.2

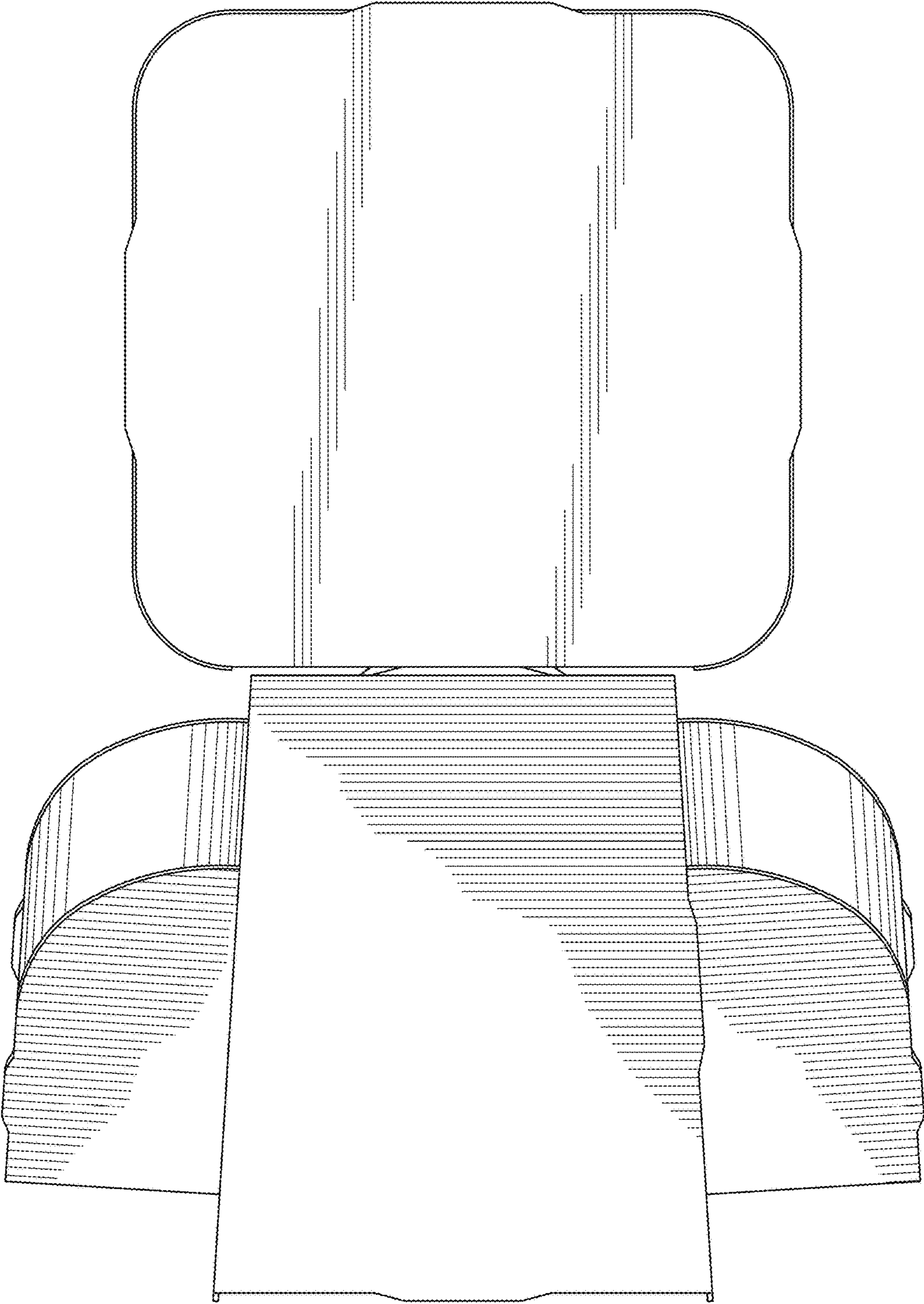


FIG.3

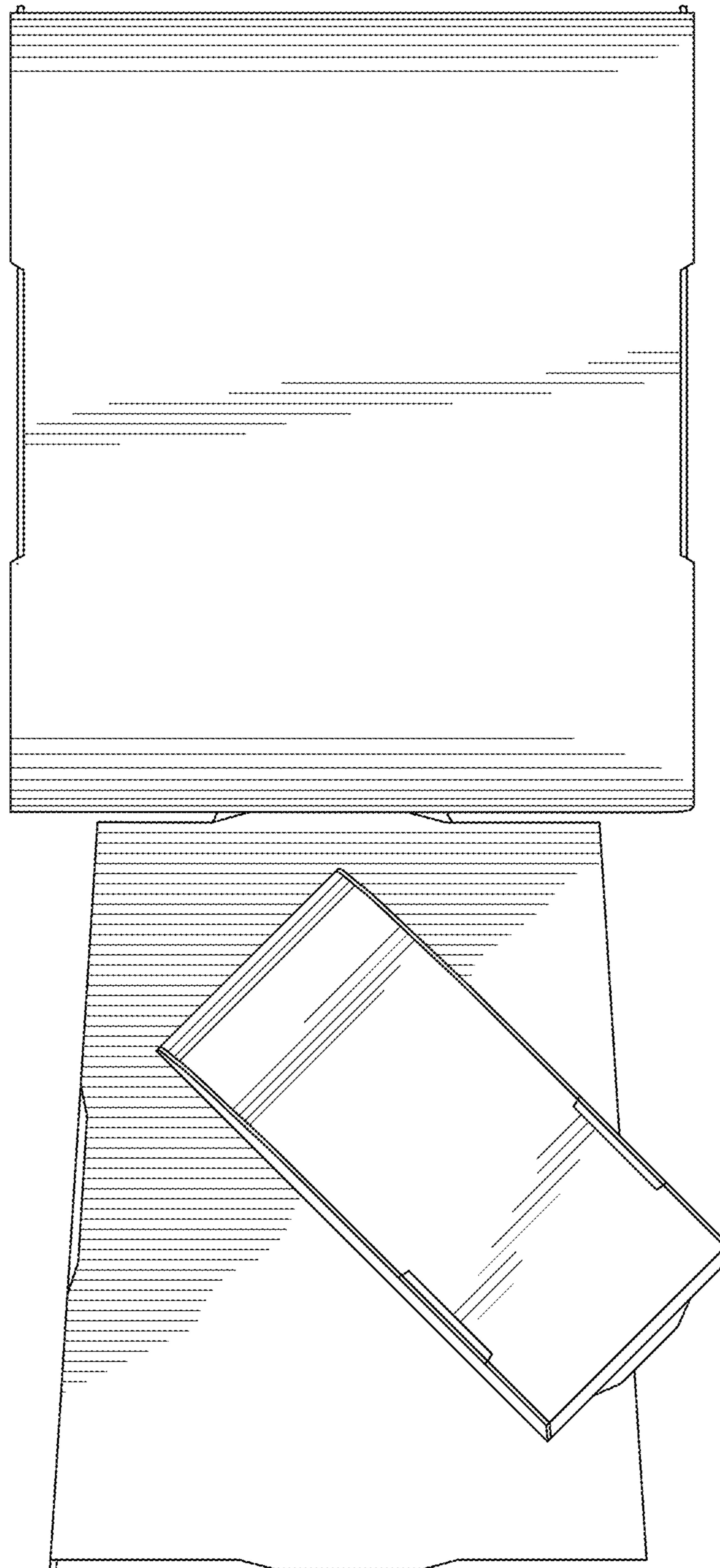


FIG.4

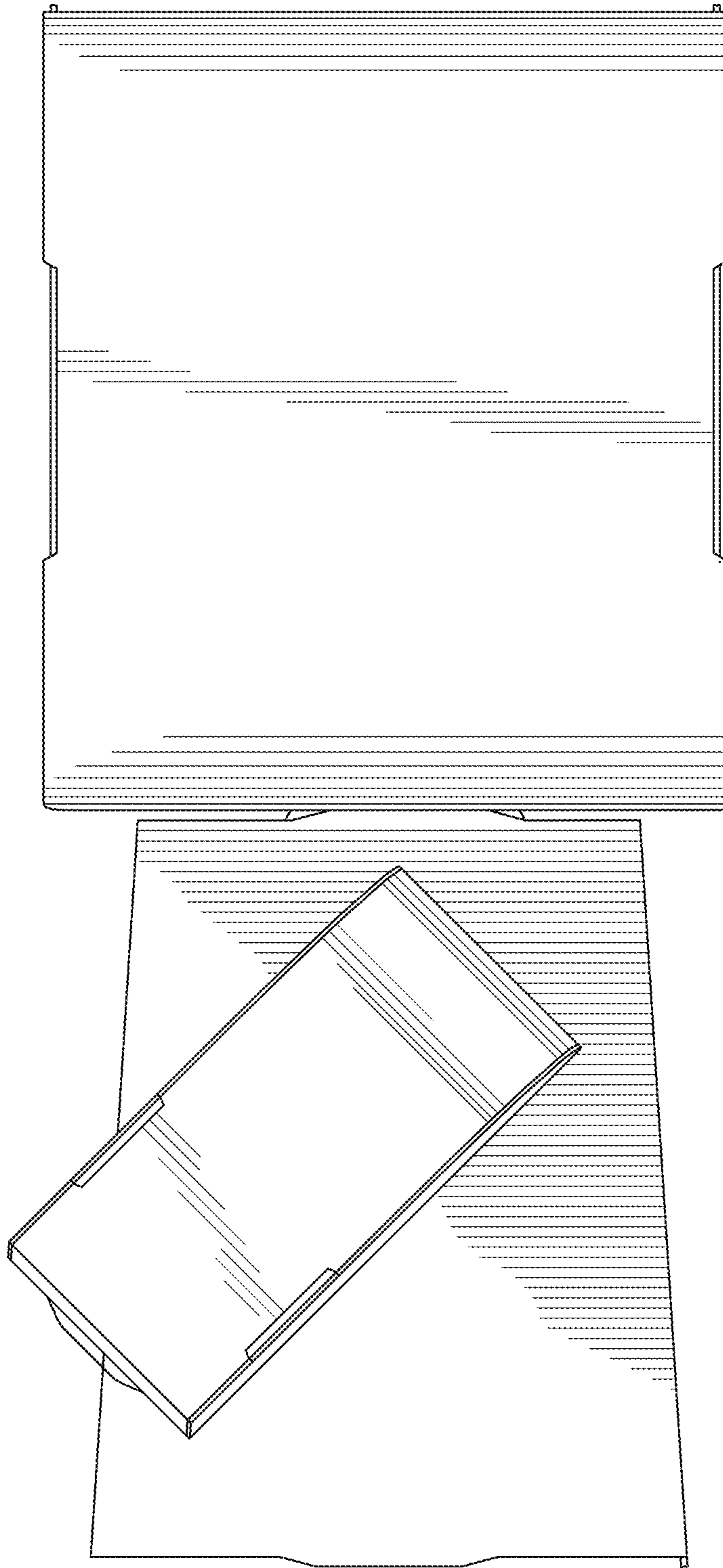


FIG. 5

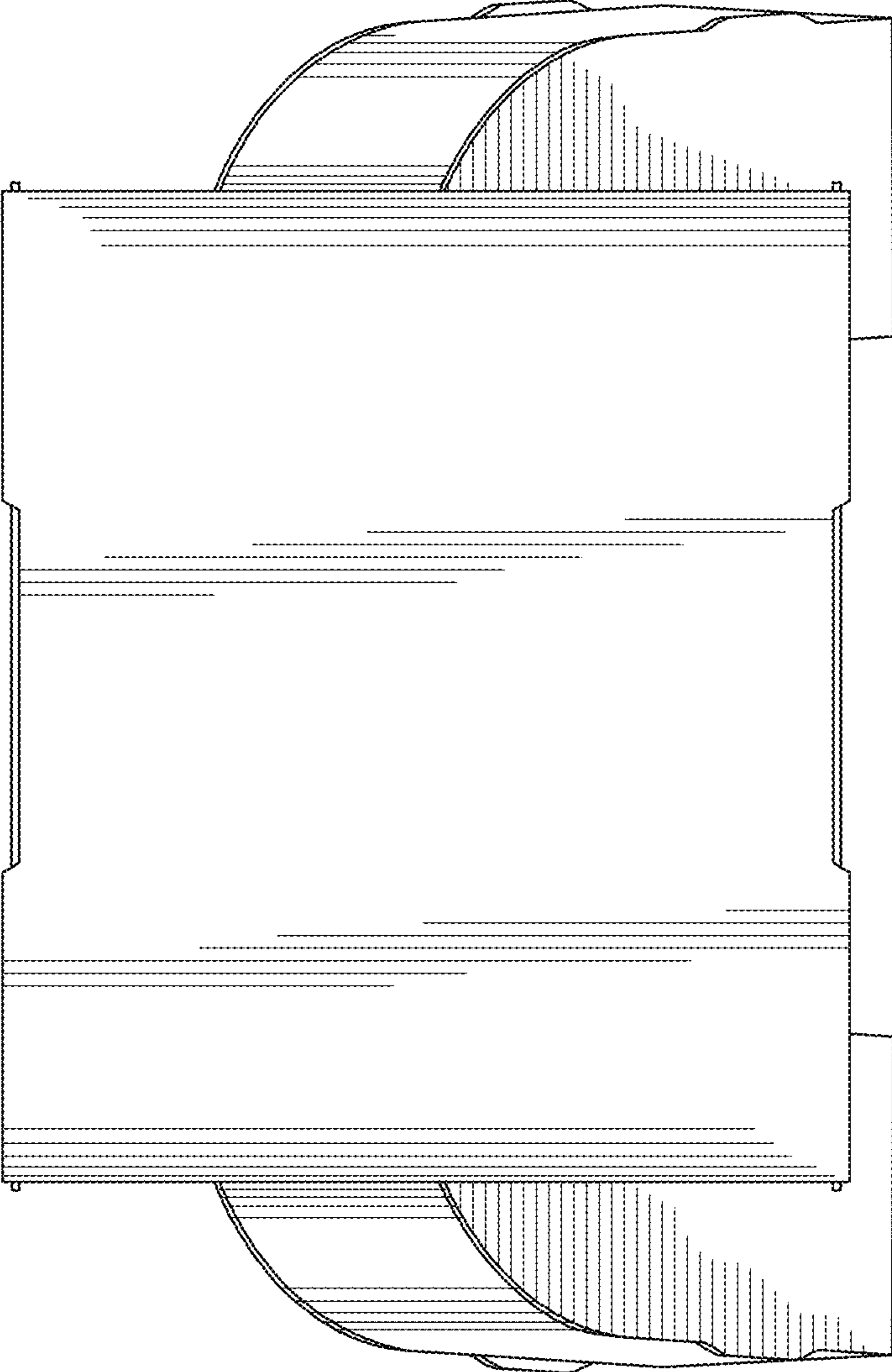


FIG.6

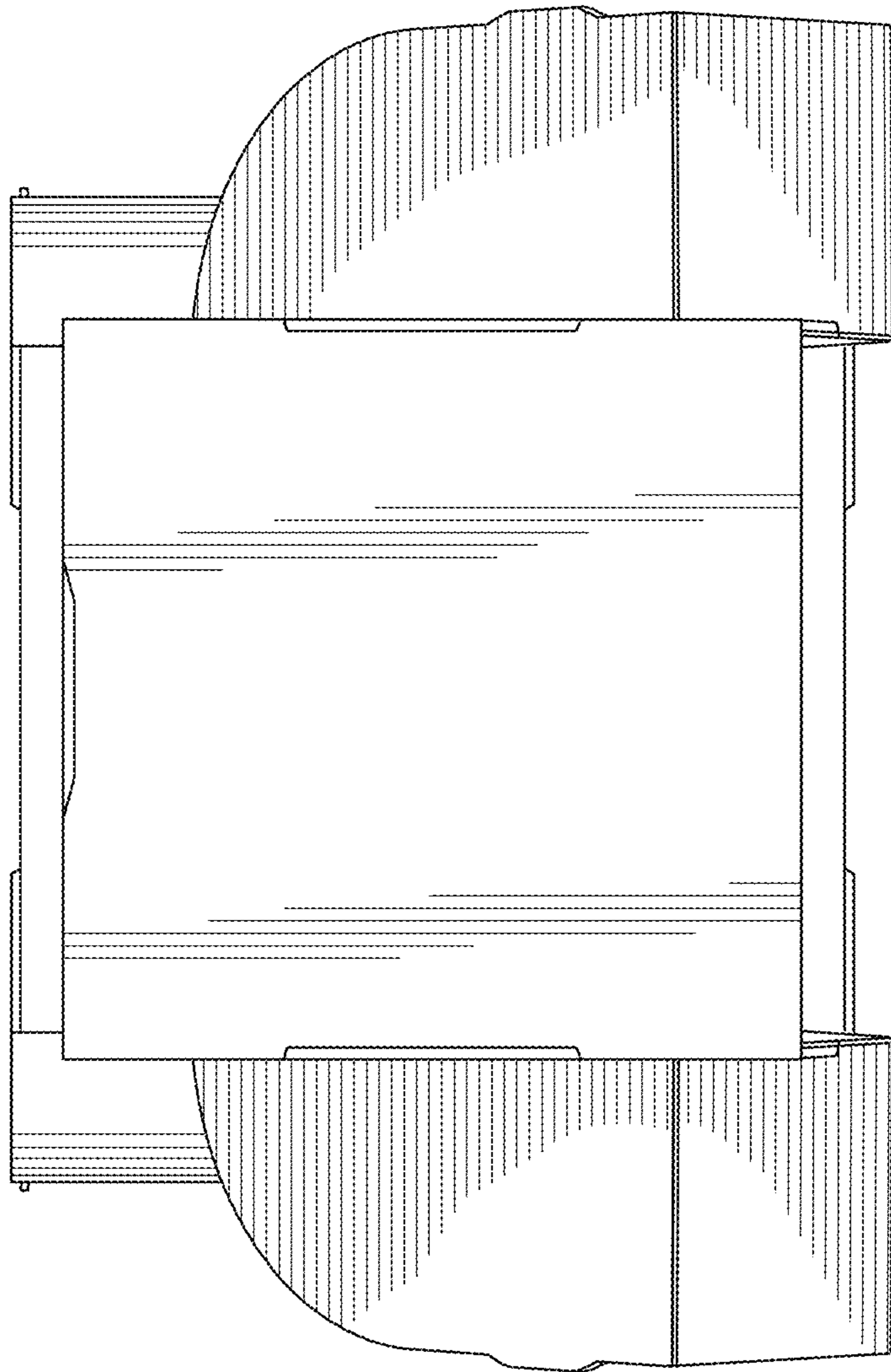


FIG.7

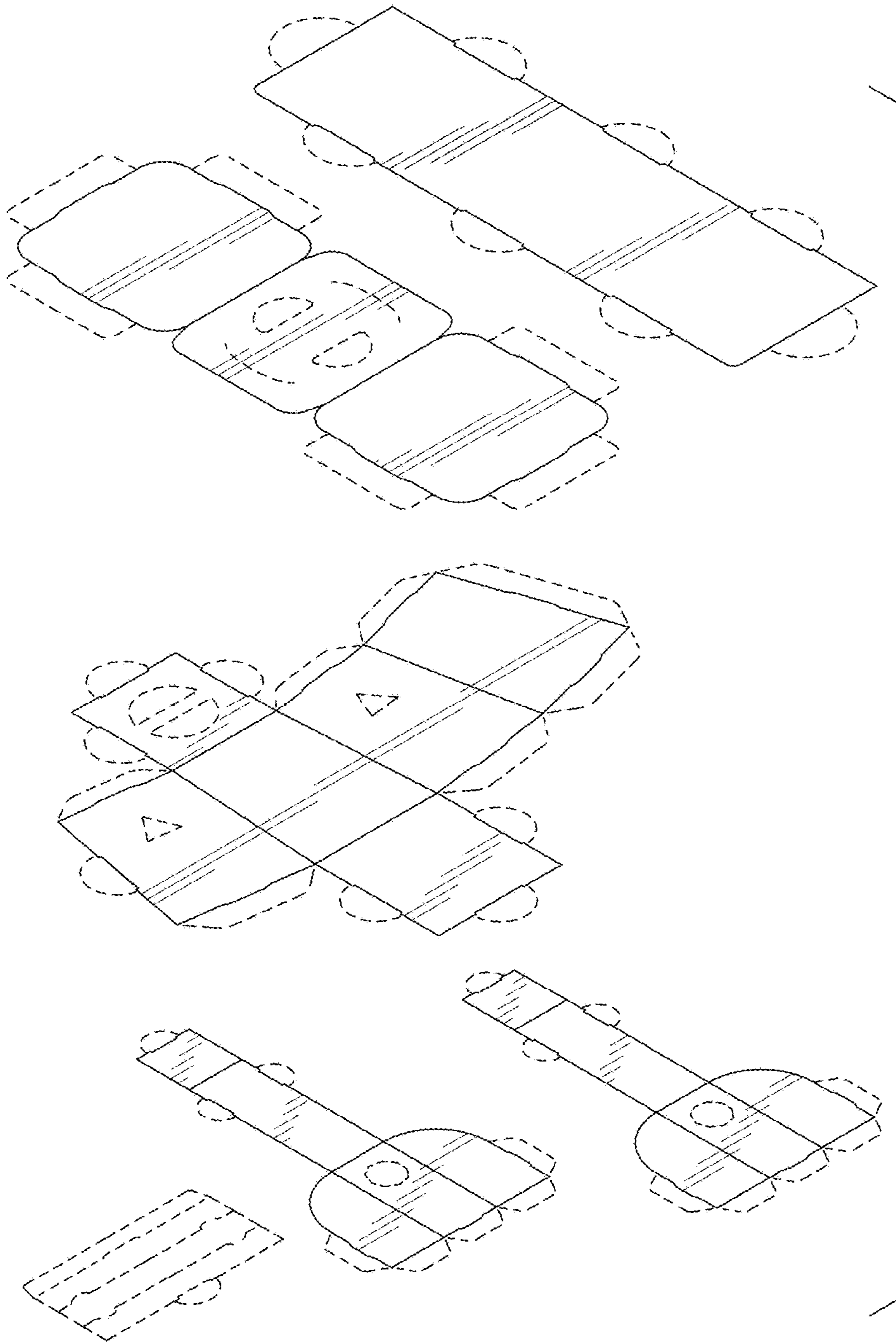


FIG. 8