



US00D784849S

(12) **United States Design Patent**
Liu

(10) **Patent No.:** **US D784,849 S**
(45) **Date of Patent:** **** Apr. 25, 2017**

- (54) **CHRISTMAS ROTATING ORNAMENT**
- (71) Applicant: **Nature's Mark, LLC**, Houston, TX (US)
- (72) Inventor: **Conggang Liu**, Dongguan (CN)
- (73) Assignee: **Nature's Mark, LLC**, Houston, TX (US)
- (**) Term: **15 Years**
- (21) Appl. No.: **29/545,346**
- (22) Filed: **Nov. 12, 2015**
- (51) **LOC (10) Cl.** **11-05**
- (52) **U.S. Cl.**
USPC **D11/121**
- (58) **Field of Classification Search**
USPC D11/117, 121, 125, 130, 131, 132, 133, 143, 145, 148, 149, 152, 153, 157; 428/7, 8, 9, 11, 12, 13; 47/65.5, 67, 69, 47/39, 17, 32.7, 41.01, 41.11-41.15, 47/44-47, 63, 65.9, 66.1, 66.6; D6/556, D6/557, 558; D8/1; D99/5, 19; D26/1, D26/9, 22, 24; 362/565, 806, 809, 810
CPC A47G 33/00; A47G 33/08; A47G 33/0827; A47G 33/0836; A47G 33/0863; B44C 5/0407; F21W 2121/00; F21W 2121/004; F21W 2121/04; F21W 2121/10; F21W 2121/1005; F21W 2121/107; F21W 2121/109; F21W 2121/30; F21S 4/00; F21S 4/001; F21S 4/003; F21S 6/00; F21S 6/001; F21S 6/002; G09B 27/08; F21V 35/00; G04B 19/226; A63B 43/00; A63B 43/06
See application file for complete search history.

- 2,784,512 A * 3/1957 Goodwin A47G 33/08 220/4.21
- 2,800,187 A * 7/1957 Lehder A47G 33/10 169/26
- 3,533,890 A * 10/1970 Nesbit A47G 33/08 156/92
- 3,694,648 A * 9/1972 Yates A47G 33/08 359/799
- 3,983,658 A * 10/1976 de Sanz A63H 37/00 206/315.1
- 4,173,038 A 10/1979 Kiefer
- D261,454 S * 10/1981 Hobrecht D11/148
- D274,583 S * 7/1984 Lafferty D11/148
- 5,274,537 A 12/1993 Altman
- D351,571 S * 10/1994 Schmidt D11/148
- D355,389 S * 2/1995 Wang D11/121
- D416,826 S * 11/1999 Newsome D11/121
- 6,052,930 A 4/2000 Hermanson et al.

(Continued)

Primary Examiner — Elizabeth J Oswecki
(74) *Attorney, Agent, or Firm* — Whitaker Chalk Swindle & Schwartz PLLC; Charles Gunter

(57) **CLAIM**

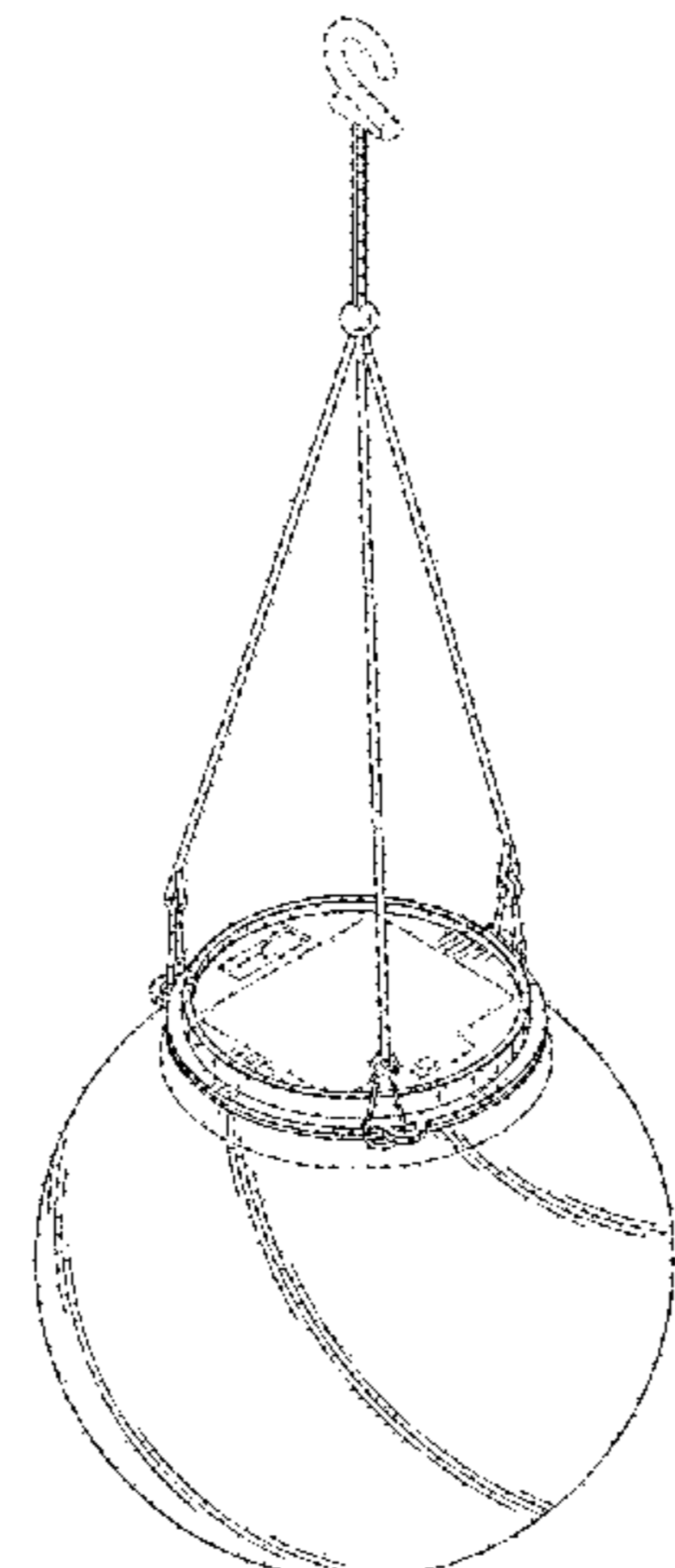
The ornamental design for a Christmas rotating ornament, as shown and described.

DESCRIPTION

FIG. 1 is a perspective view of a Christmas rotating ornament showing my new design;
FIG. 2 is a left side elevational view thereof;
FIG. 3 is a right side elevational view thereof;
FIG. 4 is a front elevational view thereof;
FIG. 5 is a rear elevational view thereof;
FIG. 6 is a top plan view thereof; and,
FIG. 7 is a bottom plan view thereof.
The broken lines in the drawings depict portions of the design and environmental features that form no part of the claimed design.

- (56) **References Cited**
U.S. PATENT DOCUMENTS
778,786 A * 12/1904 Kramer A47G 7/047 215/399
2,339,385 A 1/1944 Dupler

1 Claim, 6 Drawing Sheets



(56)

References Cited

U.S. PATENT DOCUMENTS

6,902,297	B1	6/2005	Fung	
7,188,976	B1	3/2007	Fung	
D566,615	S *	4/2008	Vogt	D11/148
D598,321	S *	8/2009	Rosenkotter	D11/117
D598,806	S *	8/2009	Rosenkotter	D11/117
D598,808	S *	8/2009	Rosenkotter	D11/117
D603,291	S *	11/2009	Wessling	D11/117
D611,876	S *	3/2010	White	D11/148
D636,699	S *	4/2011	White	D11/148
D653,583	S *	2/2012	Wittenberg	D11/148
D713,265	S *	9/2014	Cooper	D11/121

* cited by examiner

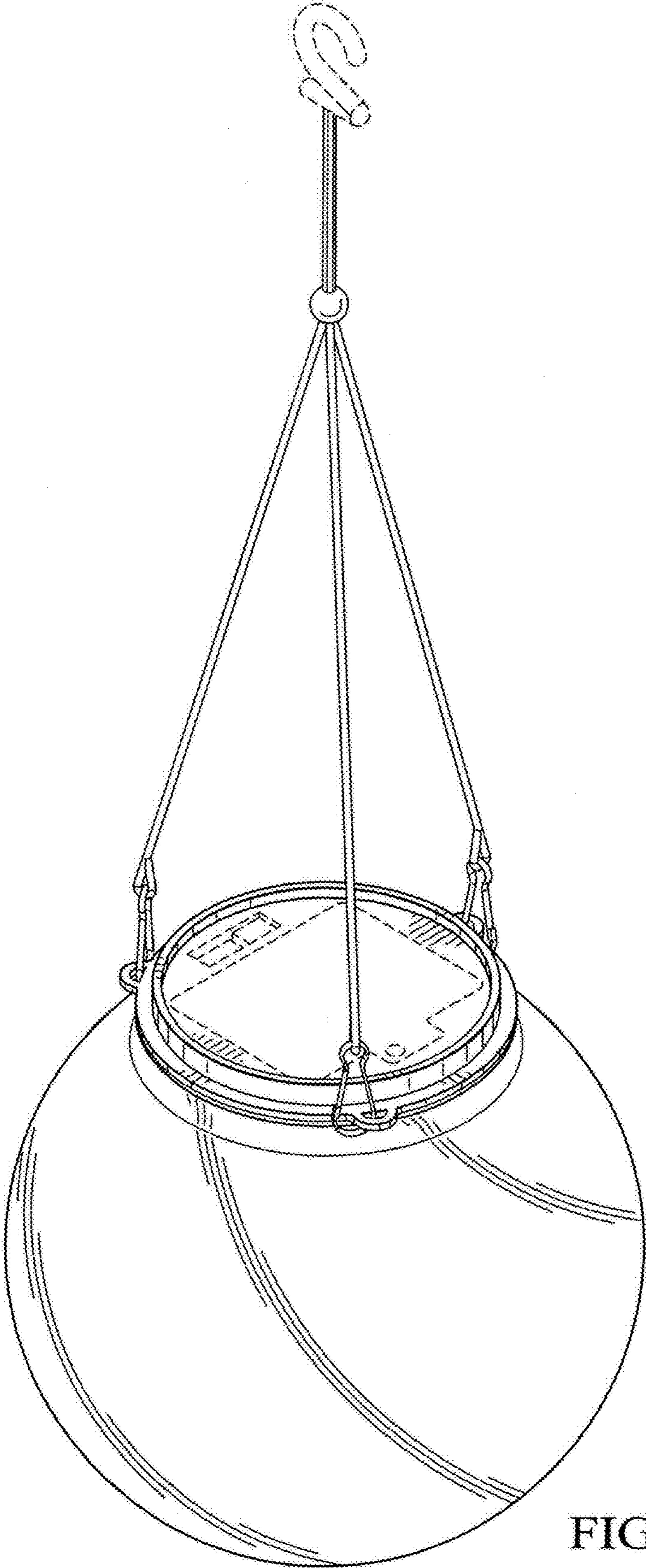


FIG. 1

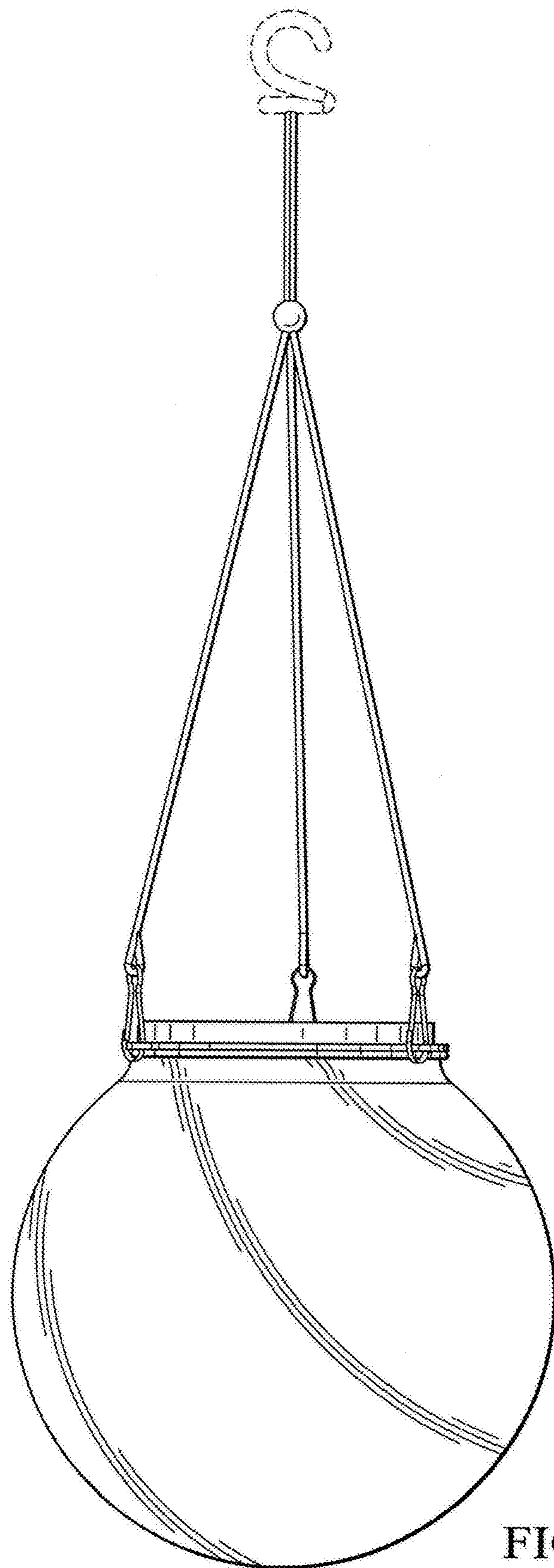


FIG. 2

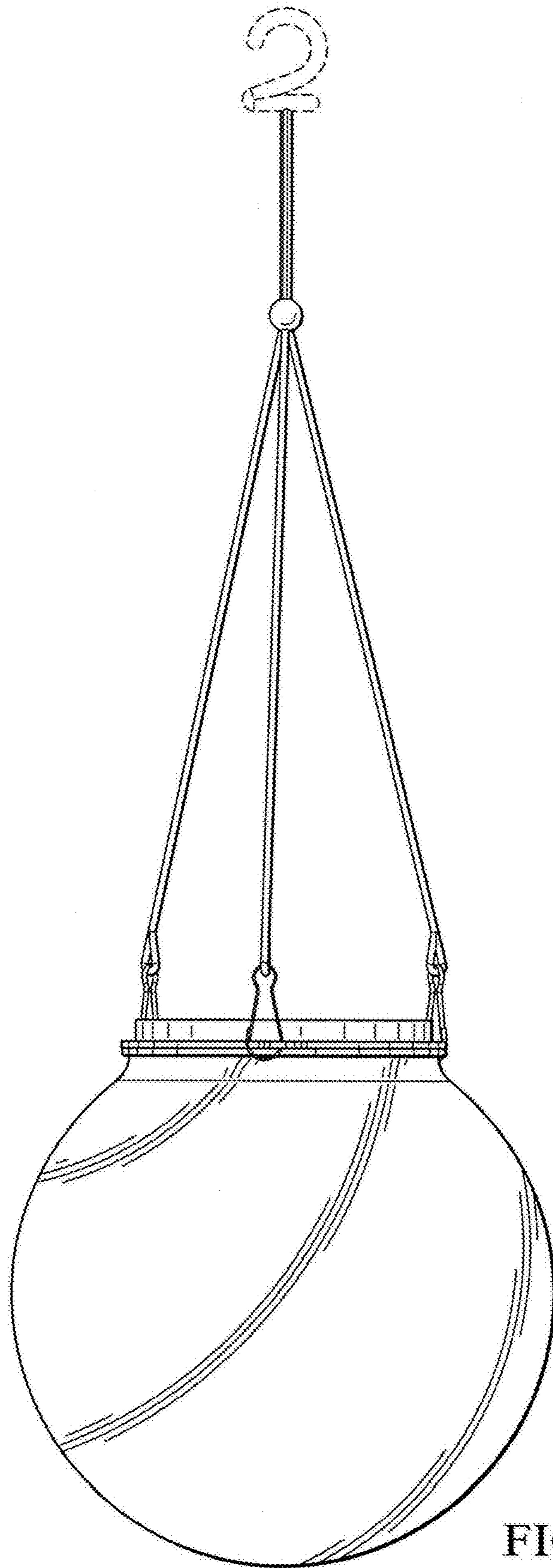


FIG. 3

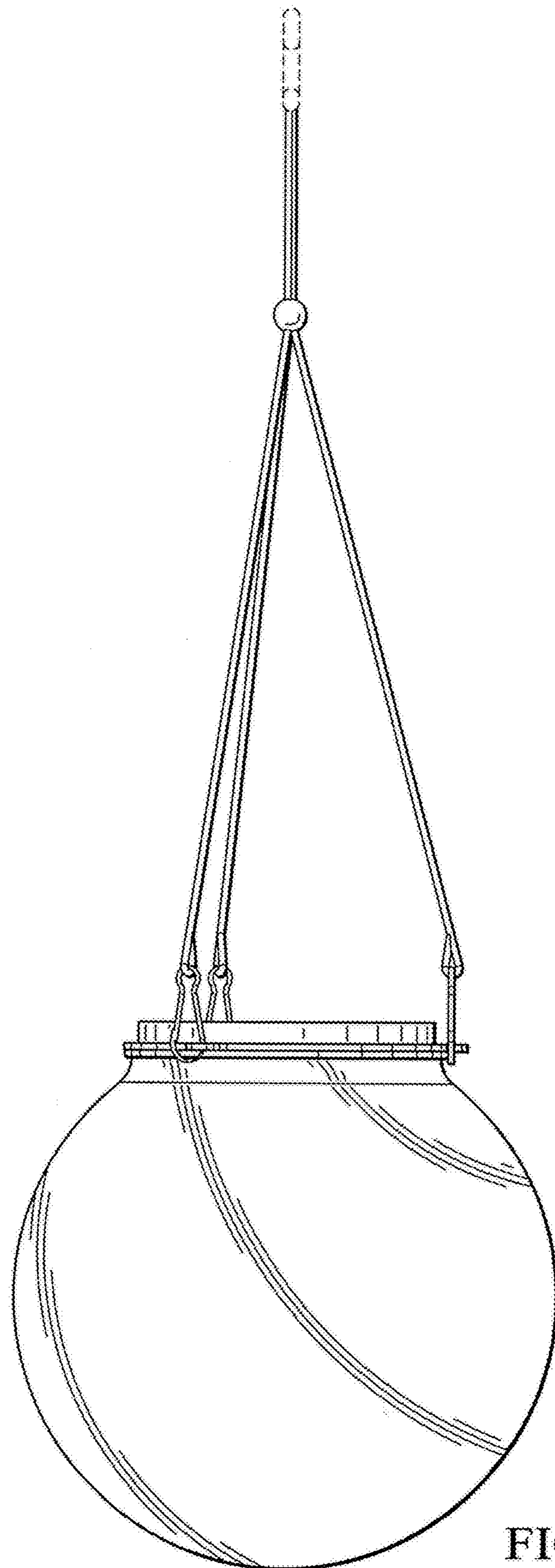


FIG. 4

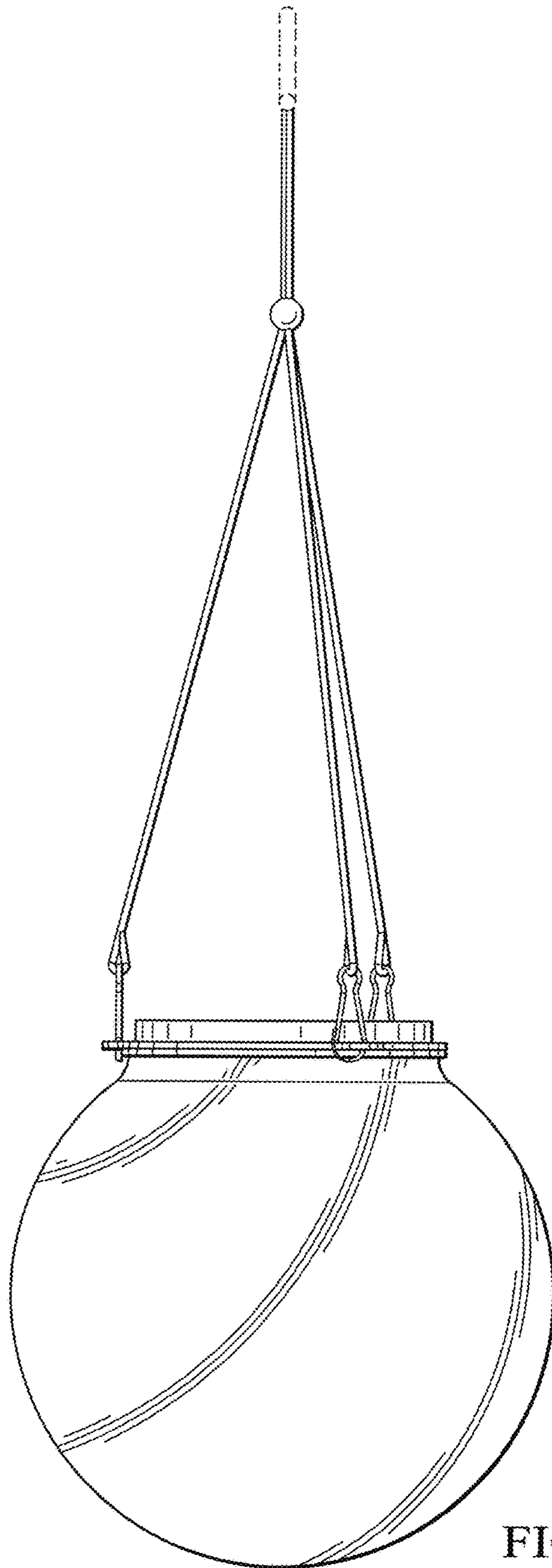


FIG. 5

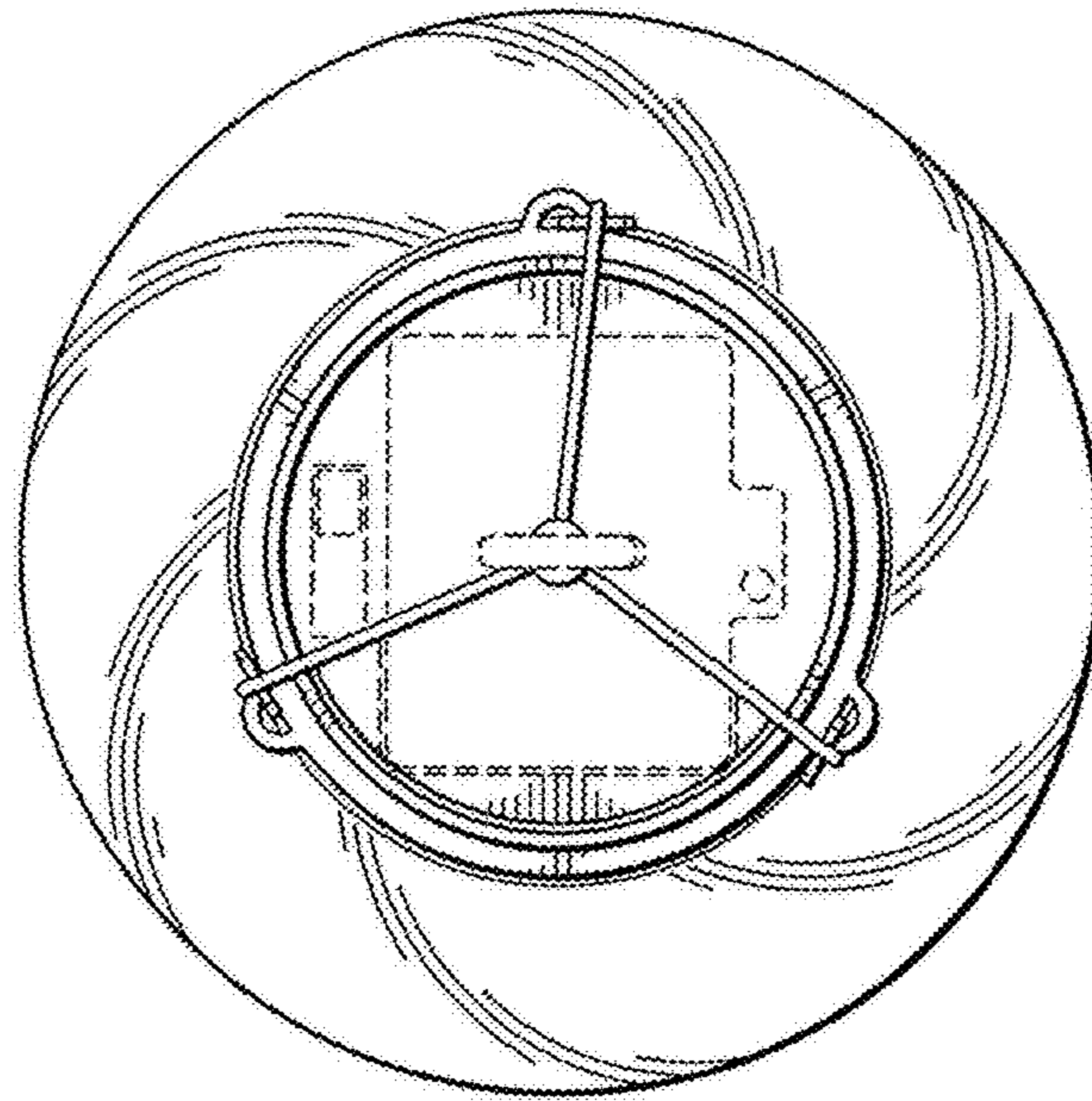


FIG. 6

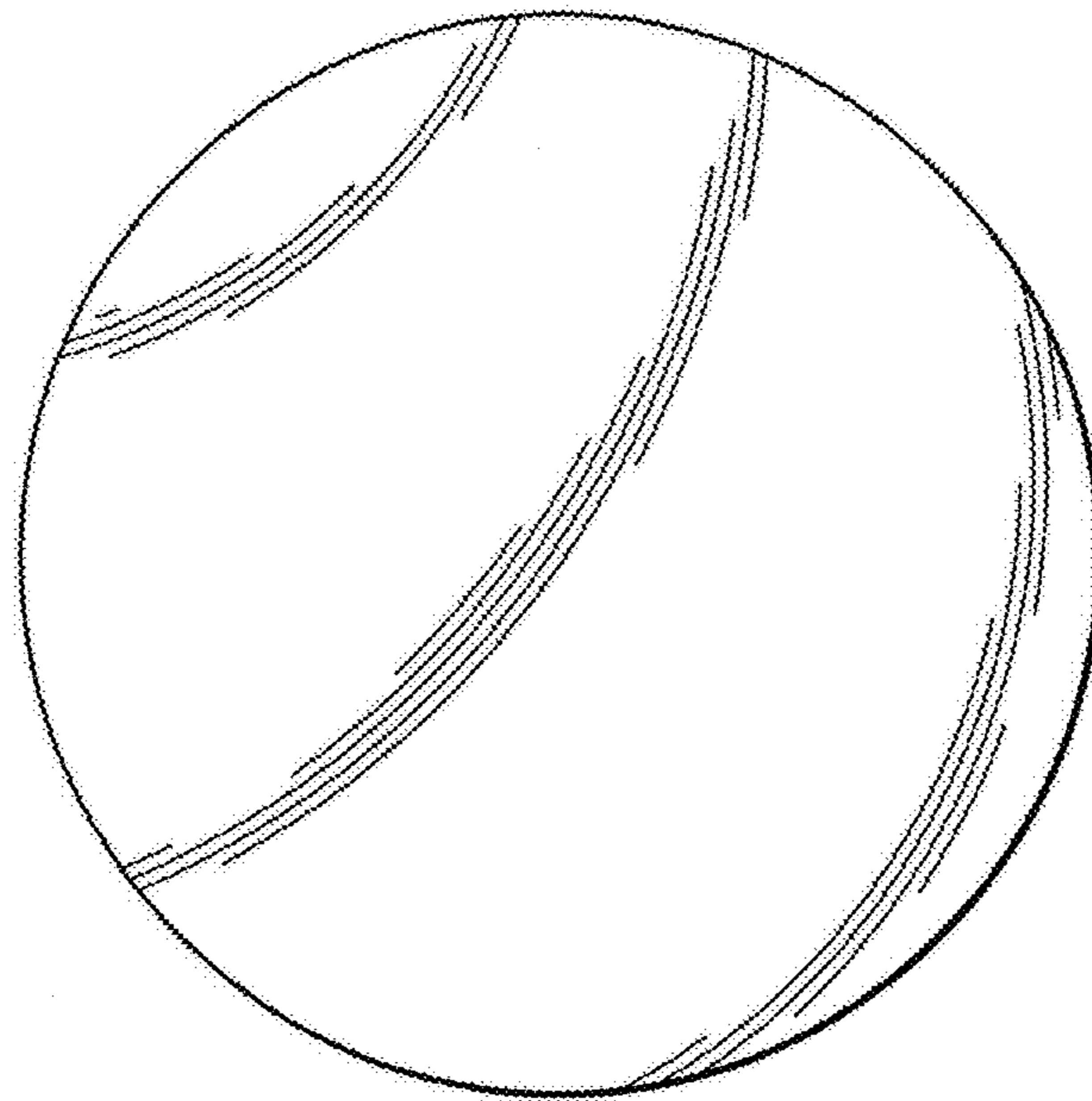


FIG. 7