



US00D784846S

(12) **United States Design Patent**  
**Abdourahim**

(10) **Patent No.:** **US D784,846 S**

(45) **Date of Patent:** **\*\* Apr. 25, 2017**

(54) **EARRING**

(71) Applicant: **HARRY WINSTON SA,**  
Plan-les-Ouates (CH)

(72) Inventor: **Delphine Abdourahim,** New York, NY  
(US)

(73) Assignee: **HARRY WINSTON SA,**  
Plan-les-Ouates (CH)

(\*\*) Term: **15 Years**

(21) Appl. No.: **29/546,143**

(22) Filed: **Nov. 19, 2015**

(30) **Foreign Application Priority Data**

May 19, 2015 (WO) ..... DM/086 444

(51) **LOC (10) Cl.** ..... **11-01**

(52) **U.S. Cl.**  
USPC ..... **D11/43**

(58) **Field of Classification Search**  
USPC ..... D11/1, 2, 40-48, 79, 80, 81, 87, 88, 91,  
D11/92

CPC ..... A44C 7/00; A44C 7/002; A44C 7/003;  
A44C 7/004; A44C 7/005; A44C 7/006;  
A44C 7/007; A44C 7/008; A44C 7/009;  
A44C 17/02; A44C 17/0208; A44C  
17/0216; A44C 17/0255; A44C 17/0233;  
A44C 17/0241; A44C 17/025; A44C  
17/0258; A44C 17/0266; A44C 25/00;  
A44C 25/001; A44C 25/007

See application file for complete search history.

(56) **References Cited**

**U.S. PATENT DOCUMENTS**

D154,592 S \* 7/1949 Duvalet ..... D11/43  
D161,041 S \* 11/1950 Philippe ..... D11/43

D164,719 S \* 10/1951 Philippe ..... D11/43  
D170,818 S \* 11/1953 Katz ..... D11/43  
D170,822 S \* 11/1953 Katz ..... D11/43  
D171,335 S \* 1/1954 Katz ..... D11/43  
D171,342 S \* 1/1954 Katz ..... D11/43  
D173,224 S \* 10/1954 Katz ..... D11/45  
D386,440 S \* 11/1997 Napper ..... D11/40  
D485,779 S \* 1/2004 Steckbeck ..... D11/7  
D752,472 S \* 3/2016 Riviere ..... D11/43  
D758,911 S \* 6/2016 Kwon ..... D11/43

**OTHER PUBLICATIONS**

[Online] <https://www.facebook.com/HarryWinston/photos/a.164445834782.149903.61090414782/10153934393229783/?type=3&theater>. Posted online Jan. 21, 2016. Retrieved Sep. 30, 2016.\*

\* cited by examiner

*Primary Examiner* — Melanie Pellegrini

(74) *Attorney, Agent, or Firm* — Donald J. Ranft; Collen IP

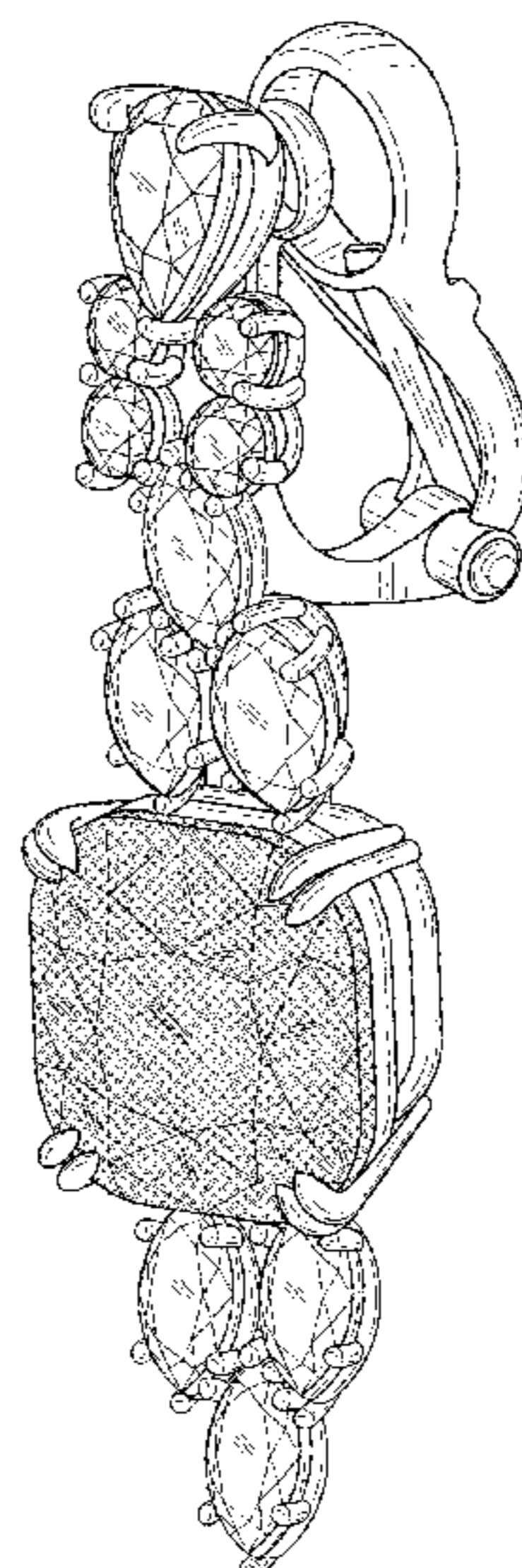
(57) **CLAIM**

The ornamental design for an earring, as shown and described.

**DESCRIPTION**

FIG. 1 is a front right perspective view of an earring showing my new design;  
FIG. 2 is a front view thereof;  
FIG. 3 is a rear view thereof;  
FIG. 4 is a left side view thereof;  
FIG. 5 is a right side view thereof;  
FIG. 6 is a top view thereof;  
FIG. 7 is a bottom view thereof; and,  
FIG. 8 is a rear right perspective view thereof.  
The large gemstone shaded in grey has an appearance which contrasts with the gemstones that do not have grey shading.

**1 Claim, 6 Drawing Sheets**



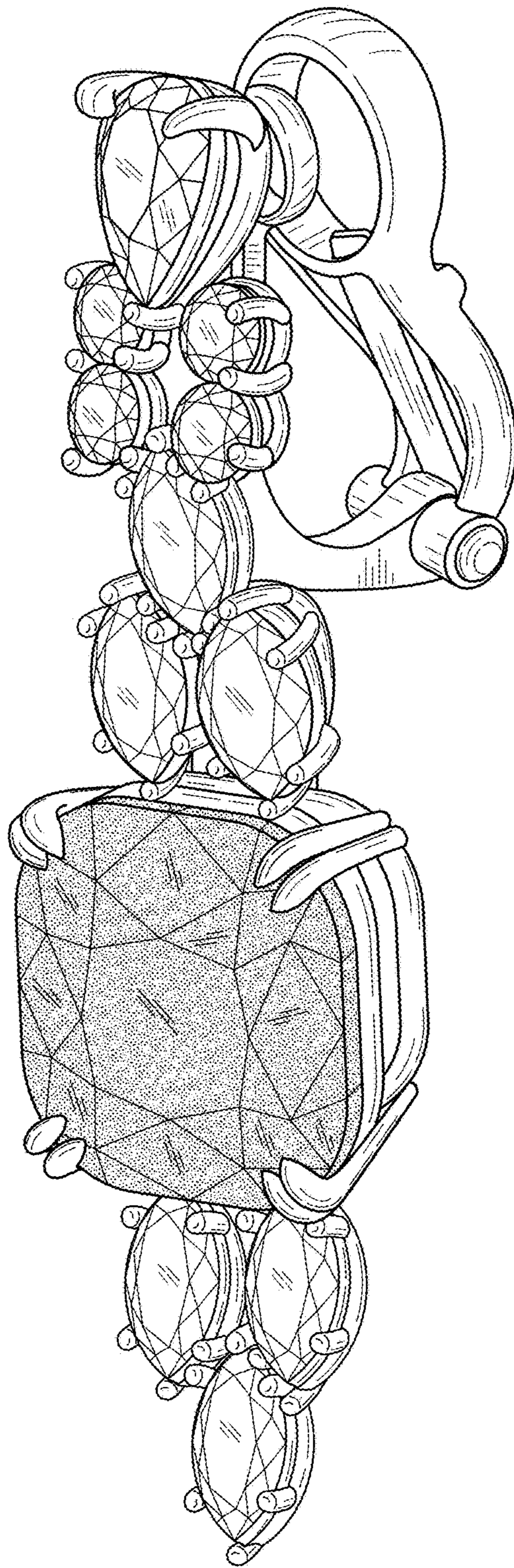


FIG. 1

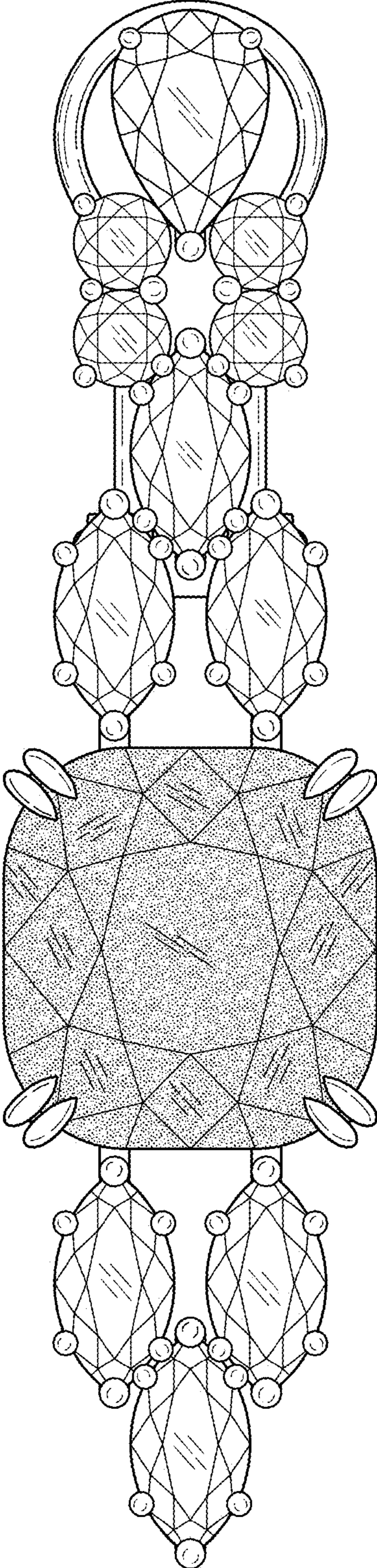


FIG. 2

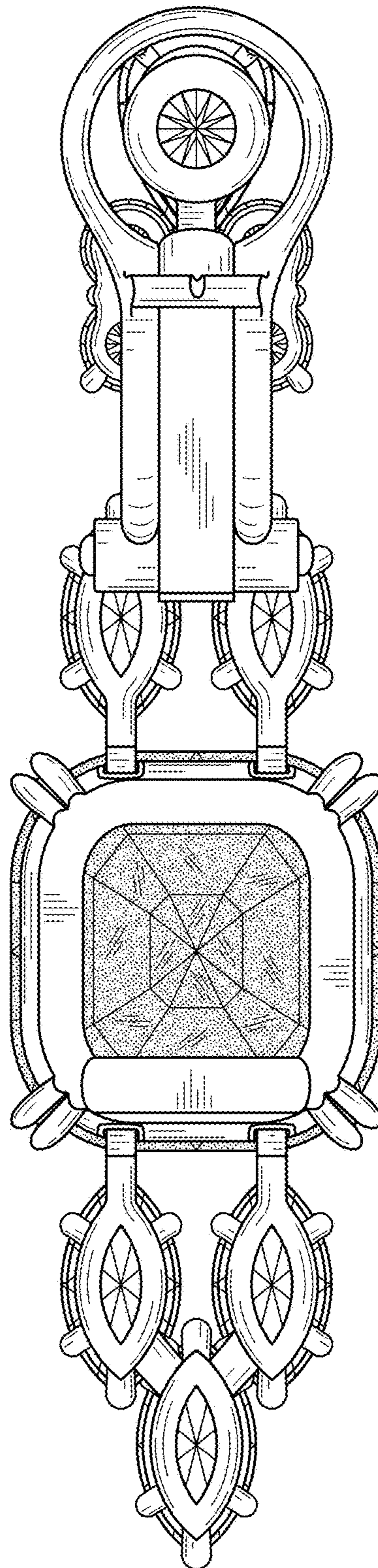


FIG. 3

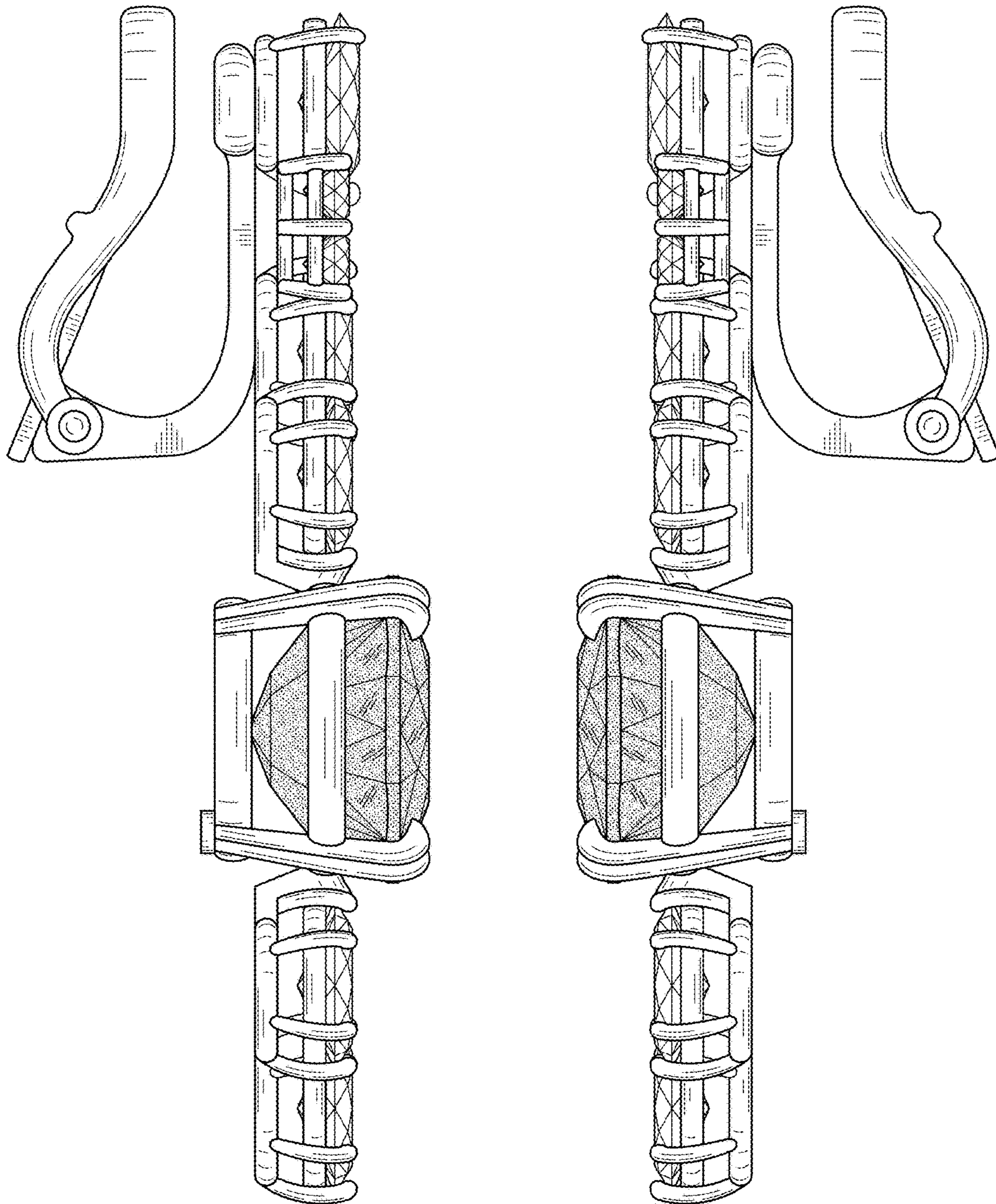


FIG. 4

FIG. 5

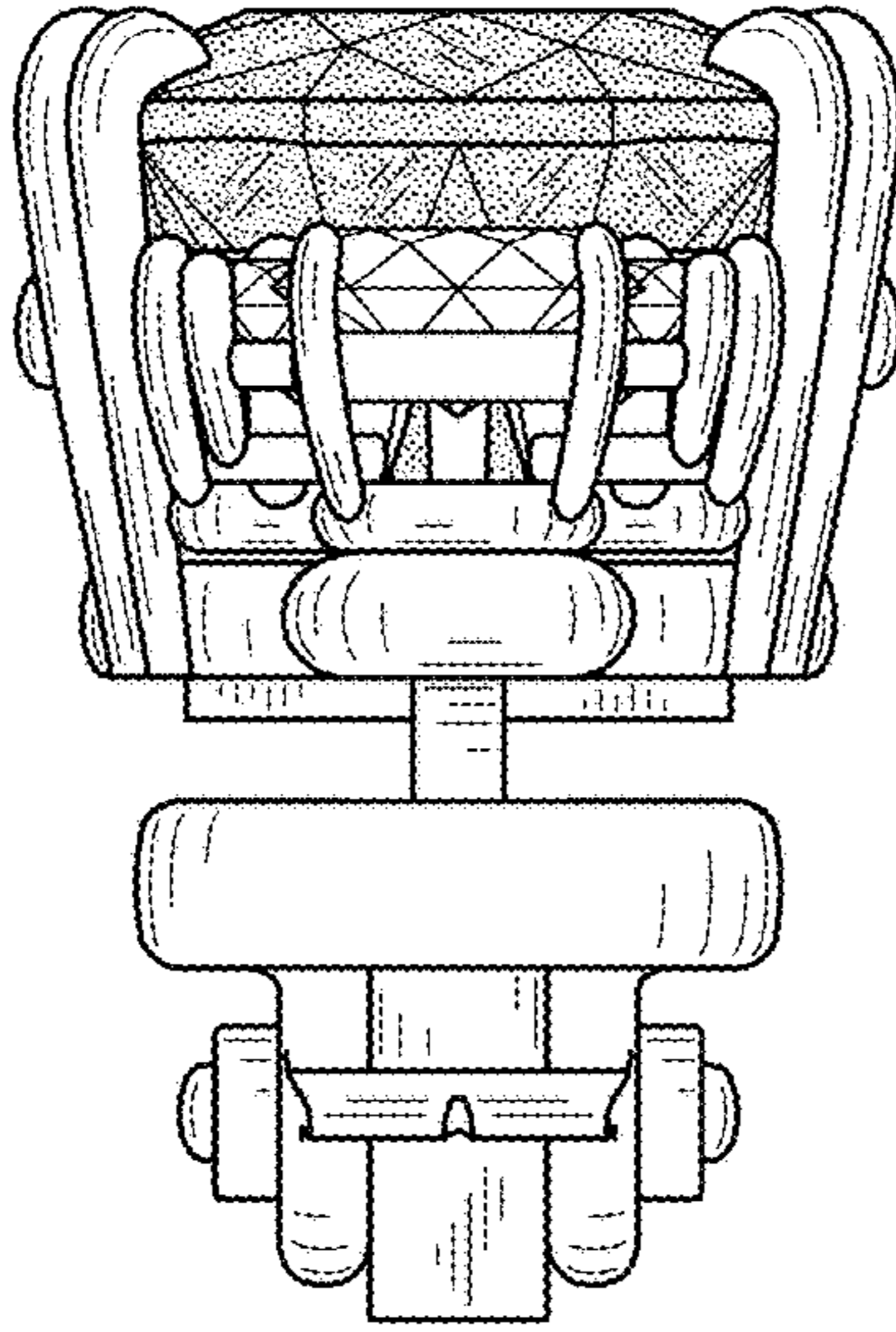


FIG. 6

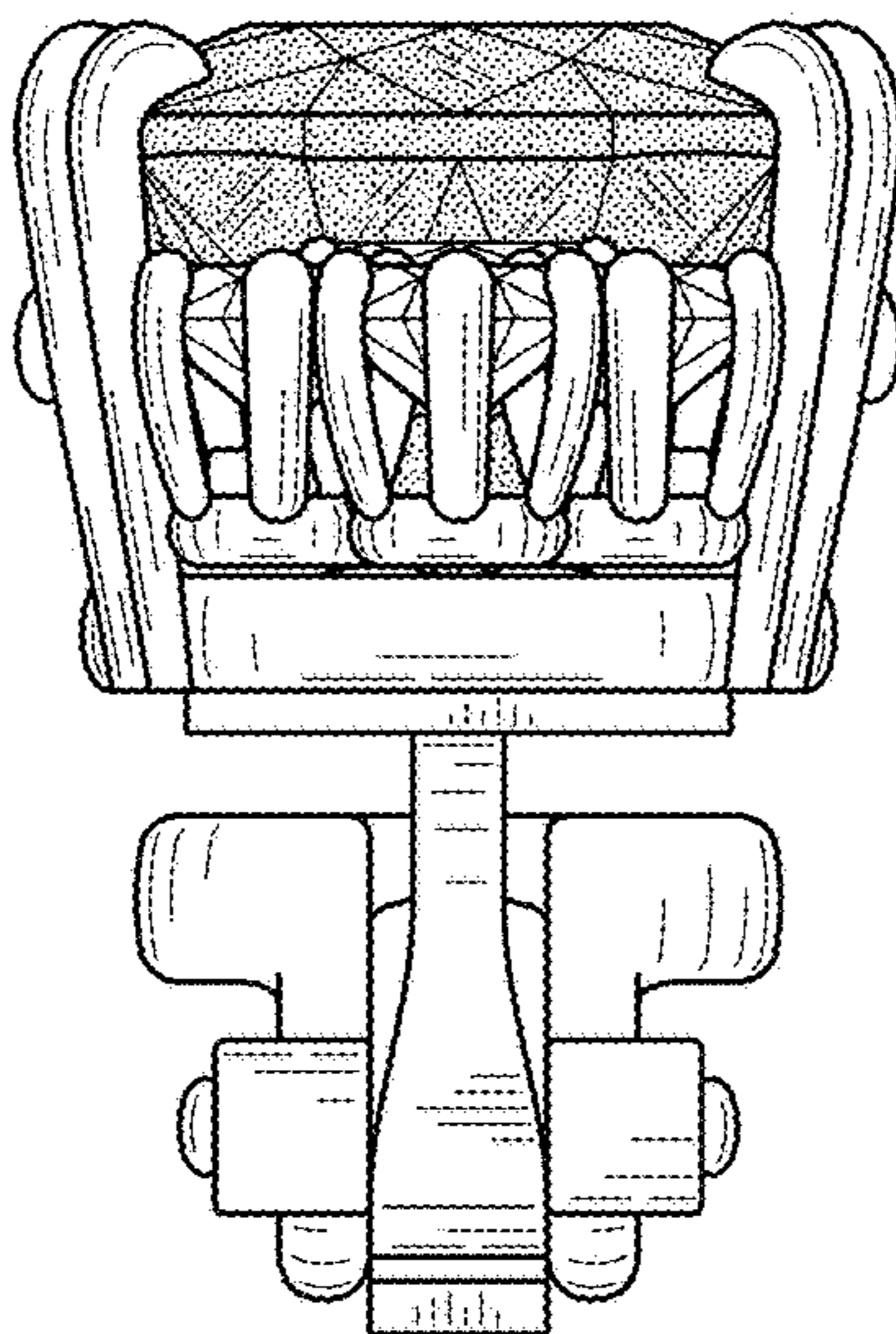


FIG. 7

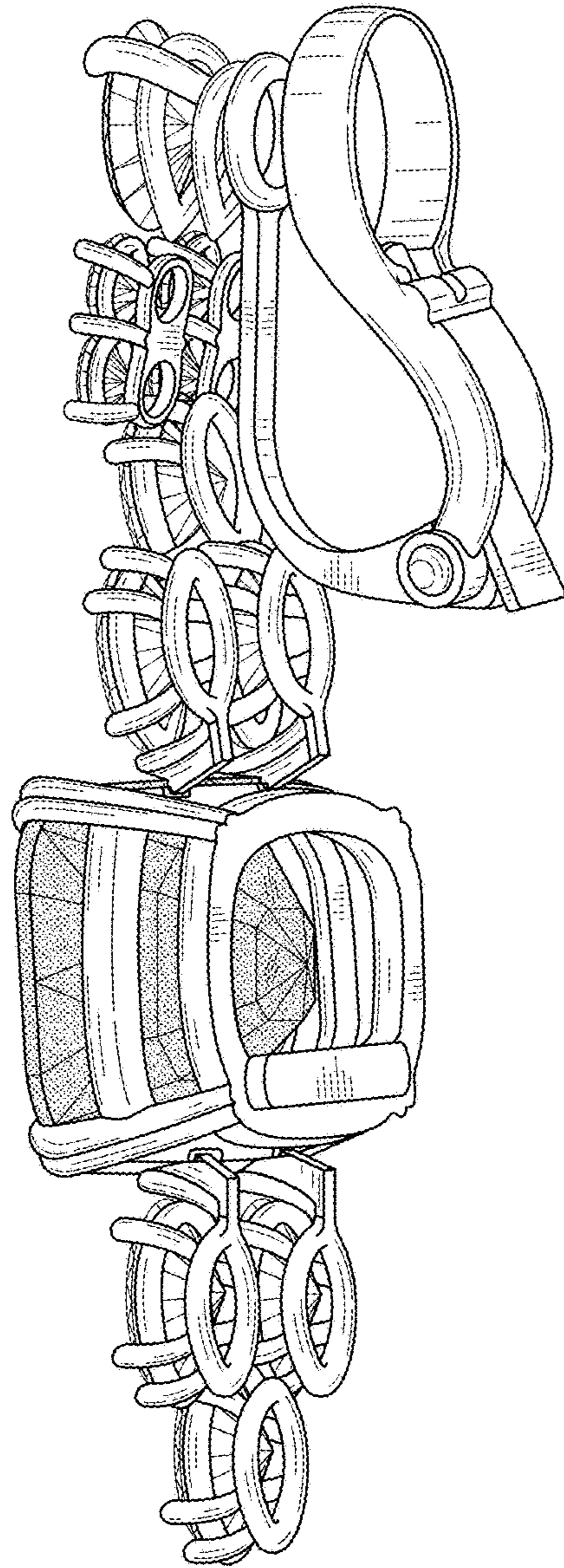


FIG. 8