



US00D784844S

(12) **United States Design Patent** (10) **Patent No.:** **US D784,844 S**
Amfitheatrof et al. (45) **Date of Patent:** **** Apr. 25, 2017**

(54) **JEWELRY ITEM**

- (71) Applicant: **Tiffany and Company**, New York, NY (US)
- (72) Inventors: **Francesca Amfitheatrof**, New York, NY (US); **Michal Dayan**, Brooklyn, NY (US); **Nina Martensson**, Juoksengi (SE)
- (73) Assignee: **Tiffany and Company**, New York, NY (US)

(**) Term: **15 Years**

(21) Appl. No.: **29/578,009**

(22) Filed: **Sep. 16, 2016**

Related U.S. Application Data

(62) Division of application No. 29/504,306, filed on Oct. 3, 2014.

(51) **LOC (10) Cl.** **11-01**

(52) **U.S. Cl.**
USPC **D11/27**

(58) **Field of Classification Search**
USPC D11/1-39, 91, 92
CPC A44C 5/00; A44C 5/0007; A44C 5/0015; A44C 5/0023; A44C 5/003; A44C 5/0038; A44C 5/0046; A44C 9/00; A44C 9/0007; A44C 9/0015; A44C 9/0023; A44C 9/003; A44C 9/0038; A44C 9/0046; A44C 9/0053; A44C 9/0061; A44C 9/0069; A44C 9/0076; A44C 17/02
See application file for complete search history.

(56) **References Cited**

U.S. PATENT DOCUMENTS

- D126,373 S * 4/1941 Braun 63/15
- D197,799 S * 3/1964 Nolan D11/26
- D244,675 S * 6/1977 Mobell D11/27

(Continued)

OTHER PUBLICATIONS

[Online] http://media.tiffany.com/is/image/Tiffany/EcomBrowseM/tiffany-t-square-bracelet-33263457_940090_ED_M.jpg?op_usm=2.00,1.00,6.00&defaultImage=NoImageAvailable&&
Retrieved Dec. 6, 2016.*

Primary Examiner — Melanie Pellegrini
(74) *Attorney, Agent, or Firm* — Fross Zelnick Lehrman & Zissu P.C.; Charles T. J. Weigell, Esq.; Lawrence E. Apolzon, Esq.

(57) **CLAIM**

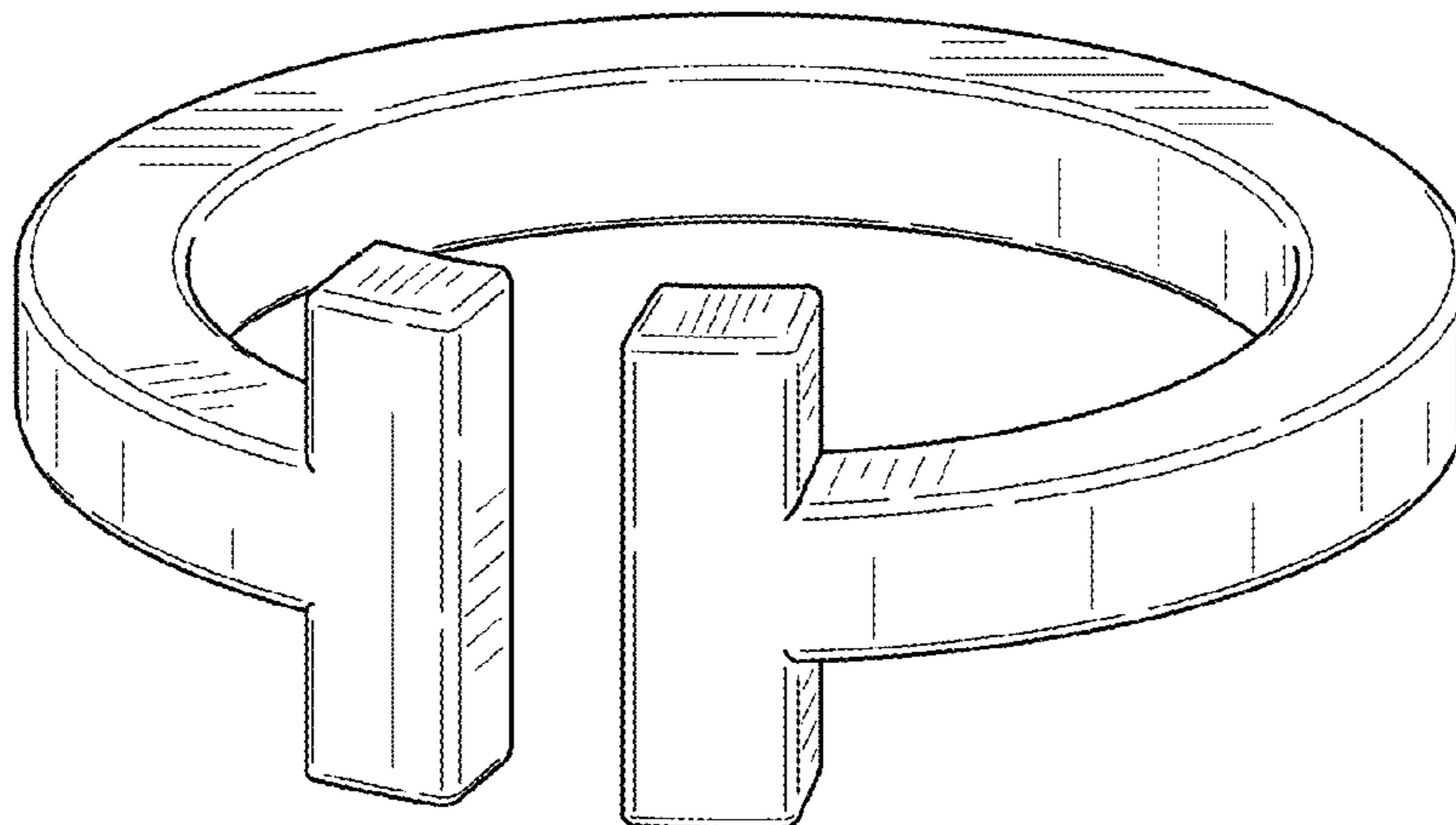
The ornamental design for a jewelry item, as shown and described.

DESCRIPTION

FIG. 1 is a front perspective view of a jewelry item showing my new design;
FIG. 2 is a front view of the jewelry item shown in FIG. 1;
FIG. 3 is a rear view of the jewelry item shown in FIG. 1;
FIG. 4 is a left side view of the jewelry item shown in FIG. 1;
FIG. 5 is a right side view of the jewelry item shown in FIG. 1;
FIG. 6 is a top view of the jewelry item shown in FIG. 1;
FIG. 7 is a bottom view of the jewelry item shown in FIG. 1;
FIG. 8 is a front perspective view of a second embodiment of a jewelry item showing my new design;
FIG. 9 is a front view thereof;
FIG. 10 is a rear view thereof;
FIG. 11 is a left side view thereof;
FIG. 12 is a right side view thereof;
FIG. 13 is a top view thereof; and,
FIG. 14 is a bottom view thereof.

The broken lines depicting a hinge in FIGS. 8-14 represent unclaimed portions of the jewelry item.

1 Claim, 6 Drawing Sheets



(56)

References Cited

U.S. PATENT DOCUMENTS

D402,570 S	*	12/1998	Wright	D10/31
D494,882 S	*	8/2004	Hara	D11/26
D565,450 S	*	4/2008	Lebail	D11/27
D593,431 S	*	6/2009	Komenaka	D11/26
D632,991 S	*	2/2011	Caroline	D11/27
D635,880 S	*	4/2011	Gaspard	D11/27
D691,506 S	*	10/2013	Hardy	D11/27
D713,294 S	*	9/2014	Mouquet	D11/231

* cited by examiner

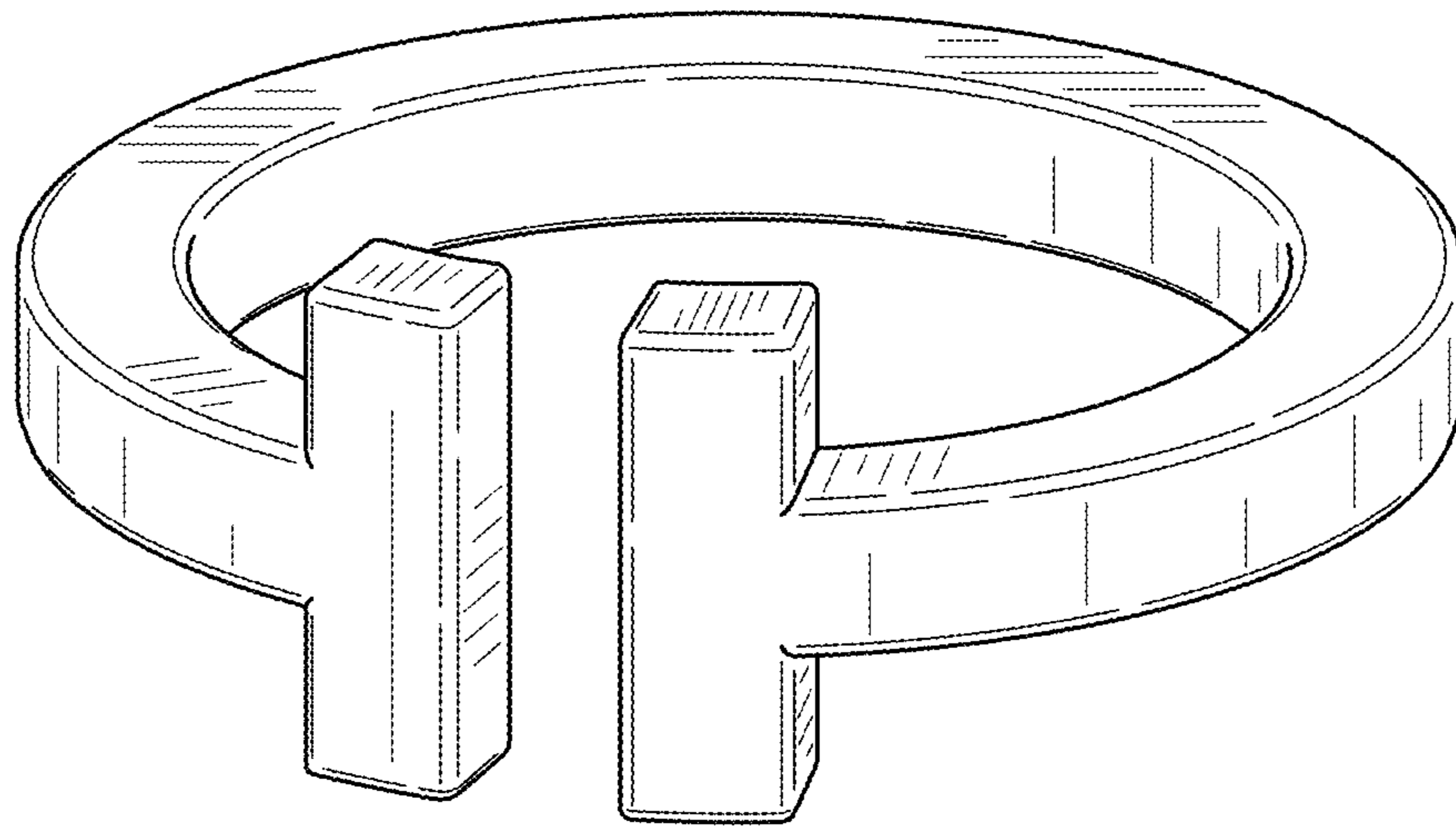


FIG. 1

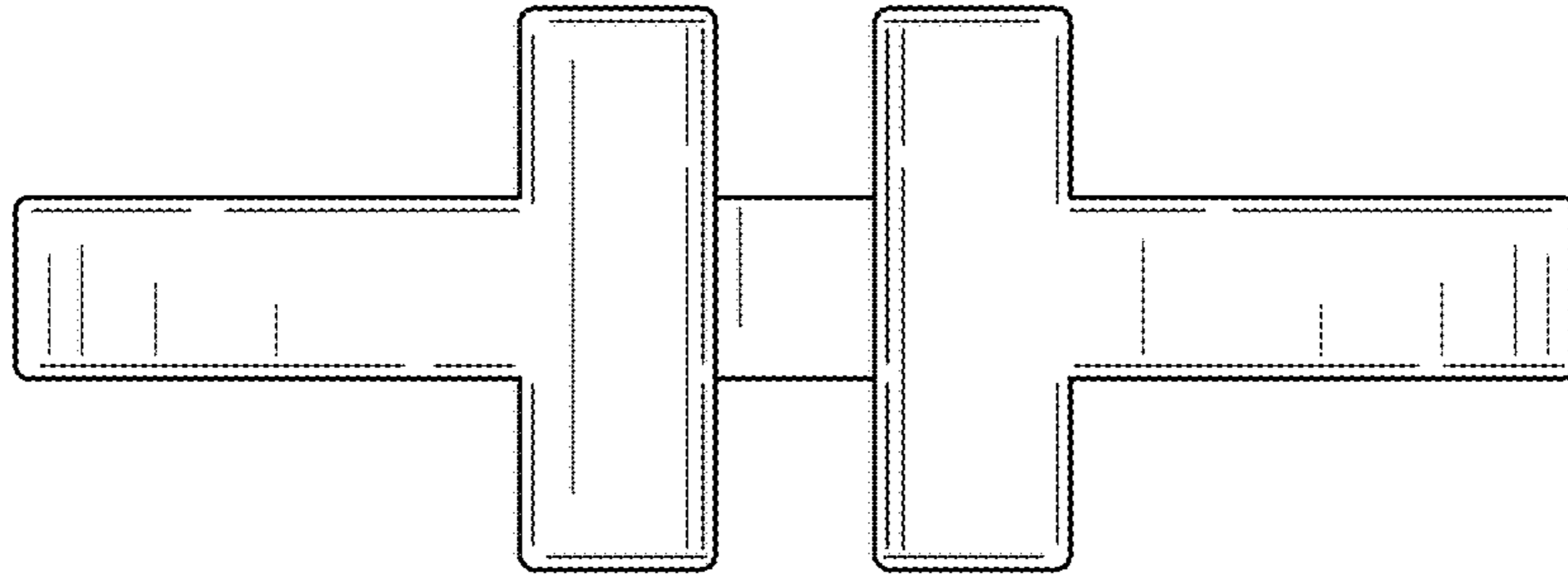


FIG. 2

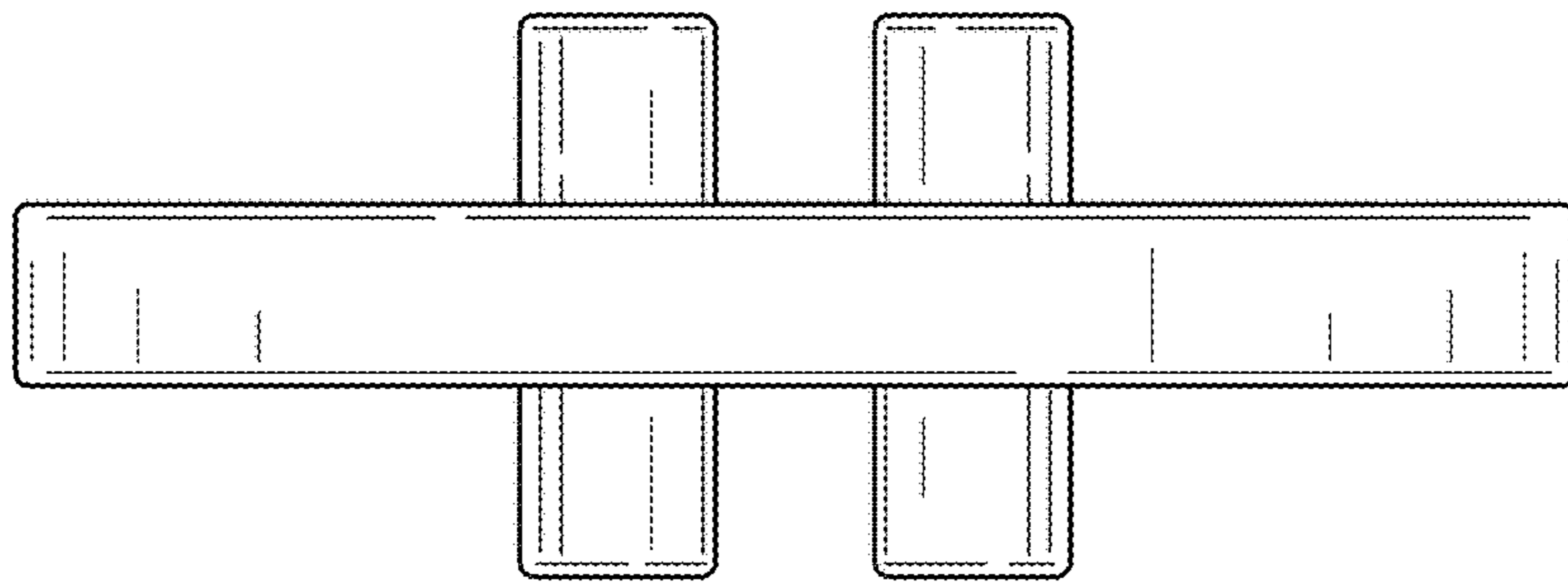


FIG. 3

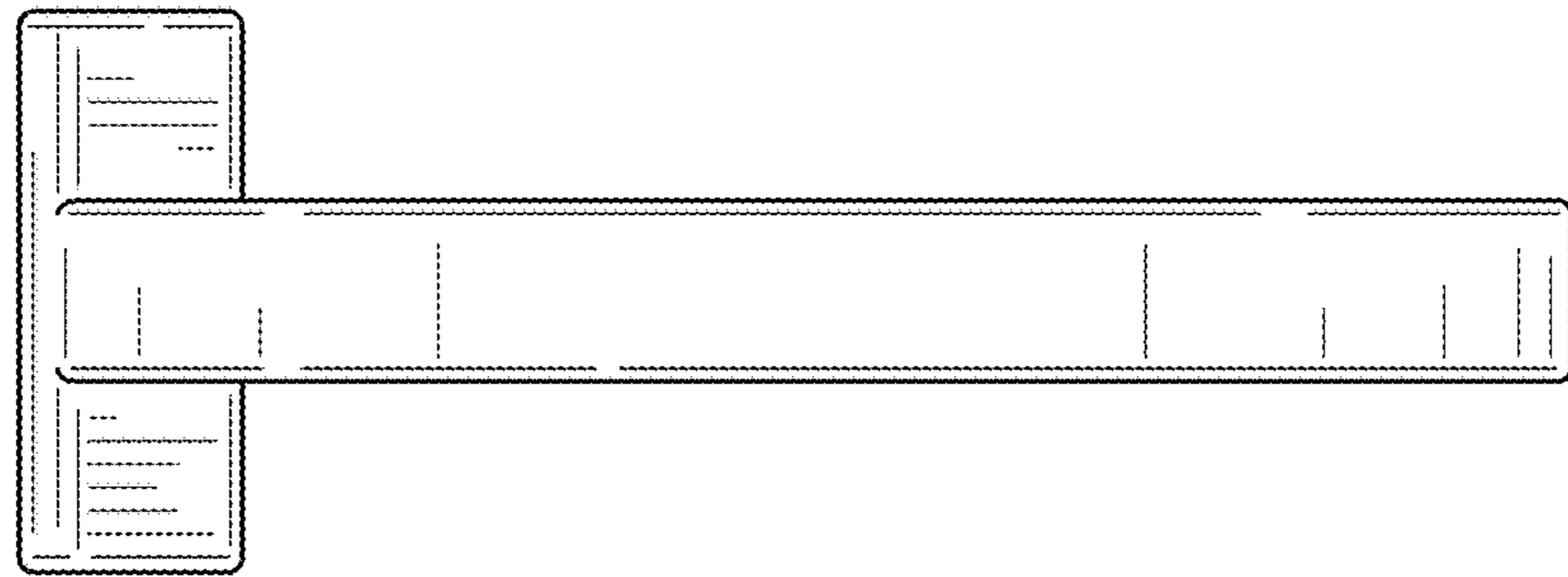


FIG. 4

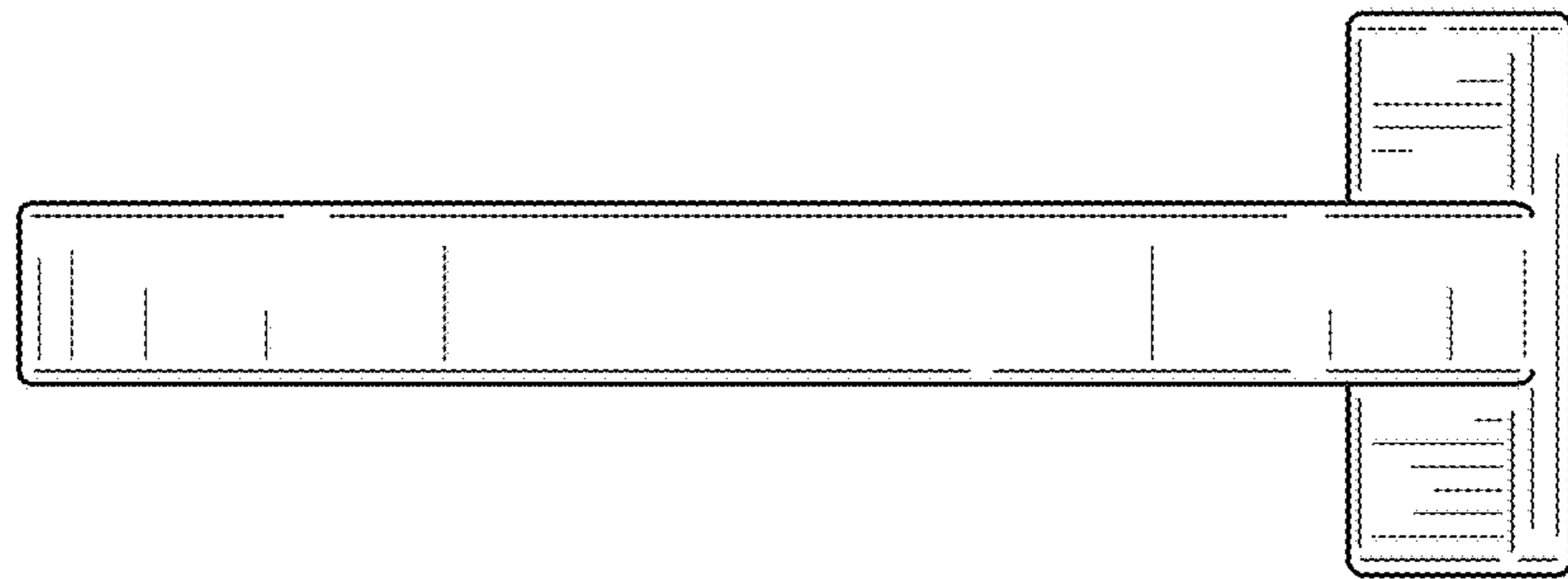


FIG. 5

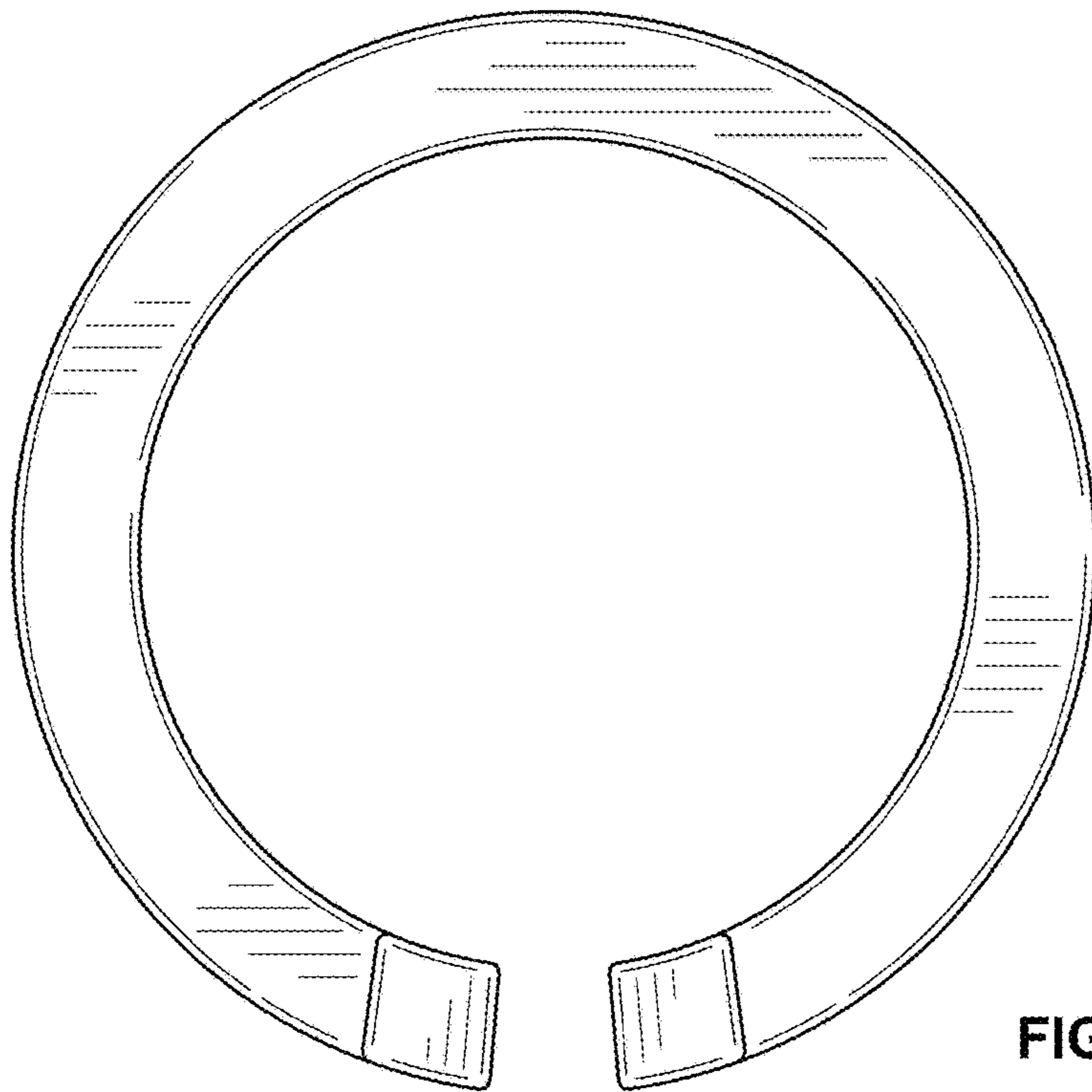


FIG. 6

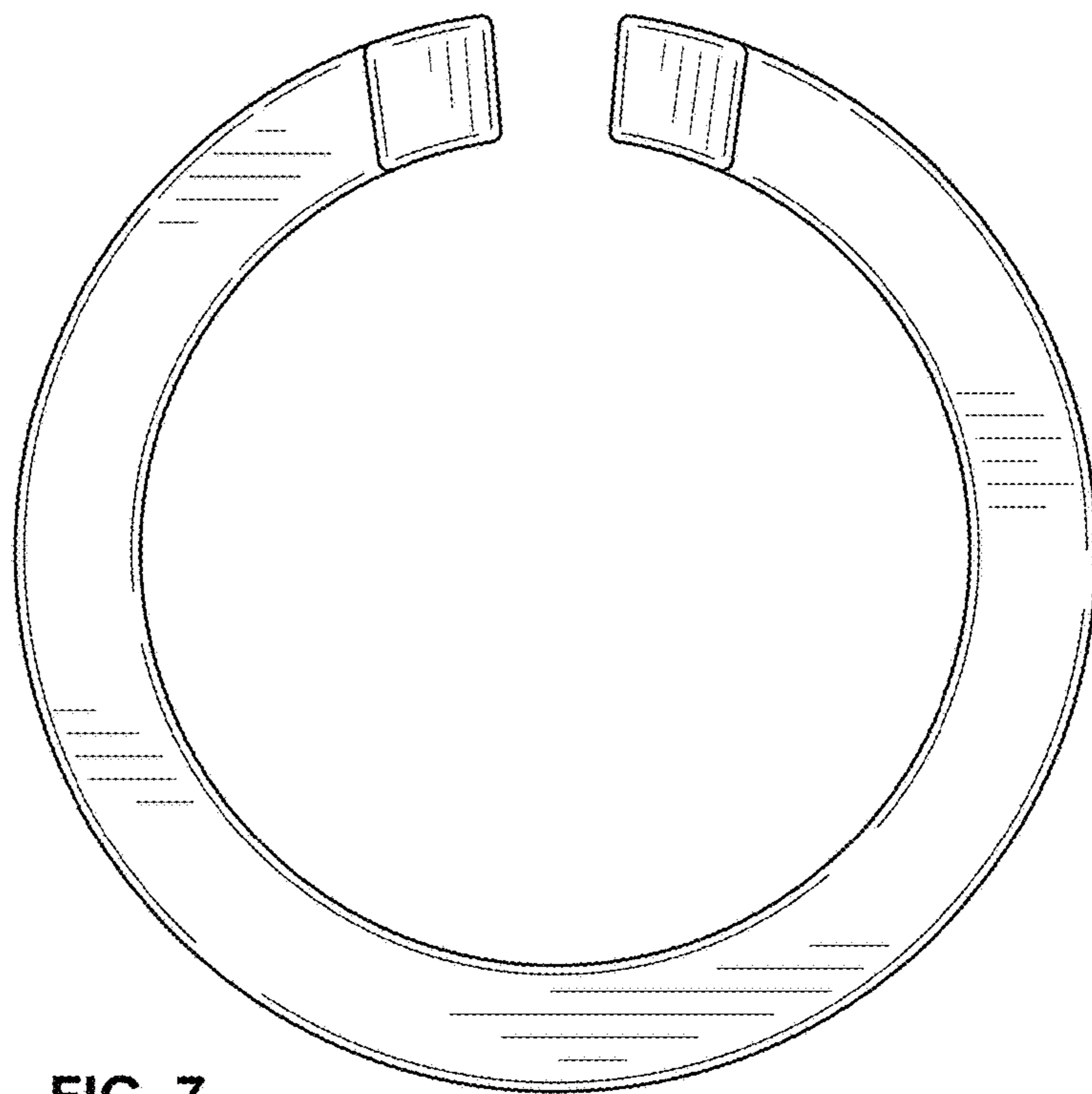


FIG. 7

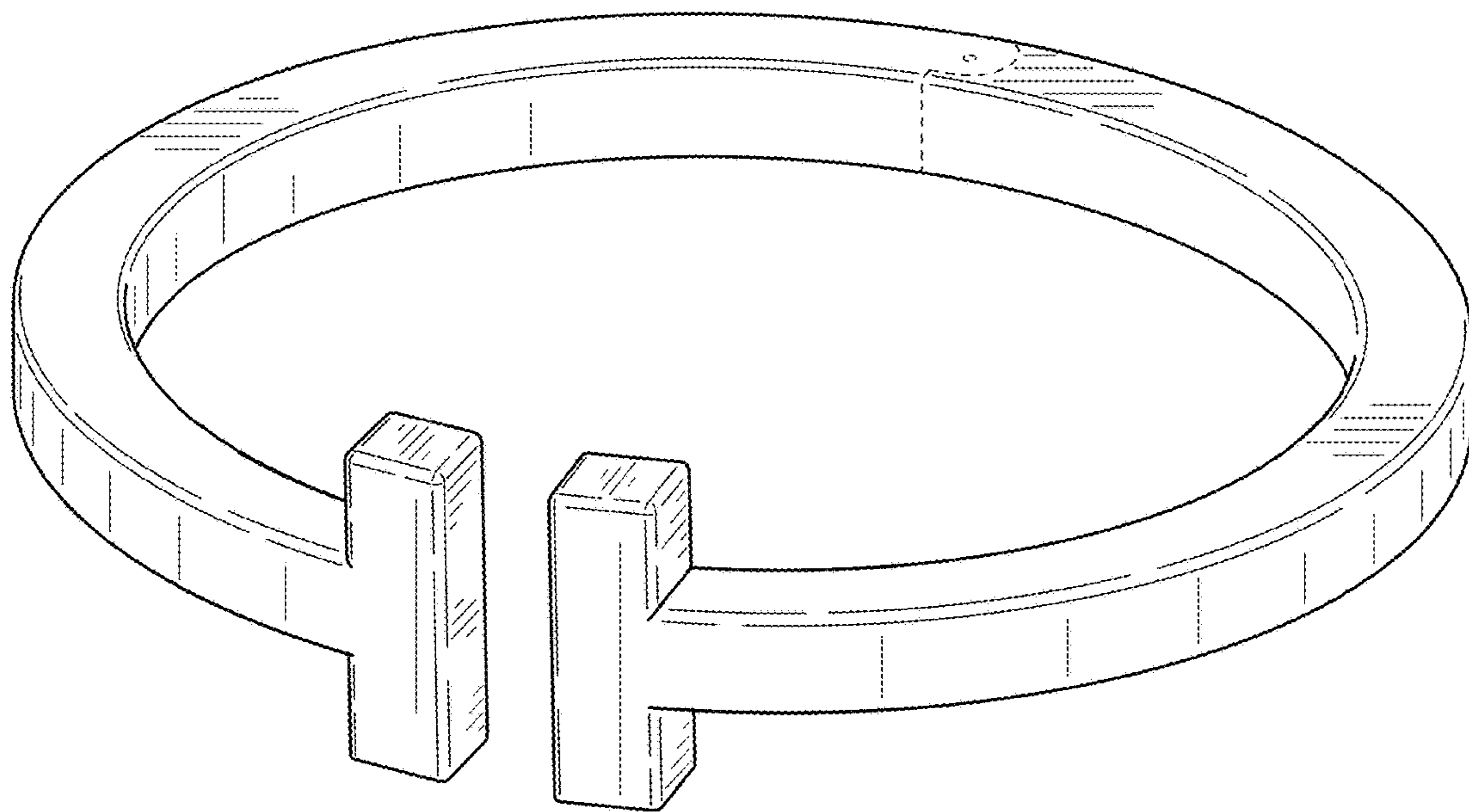


FIG. 8

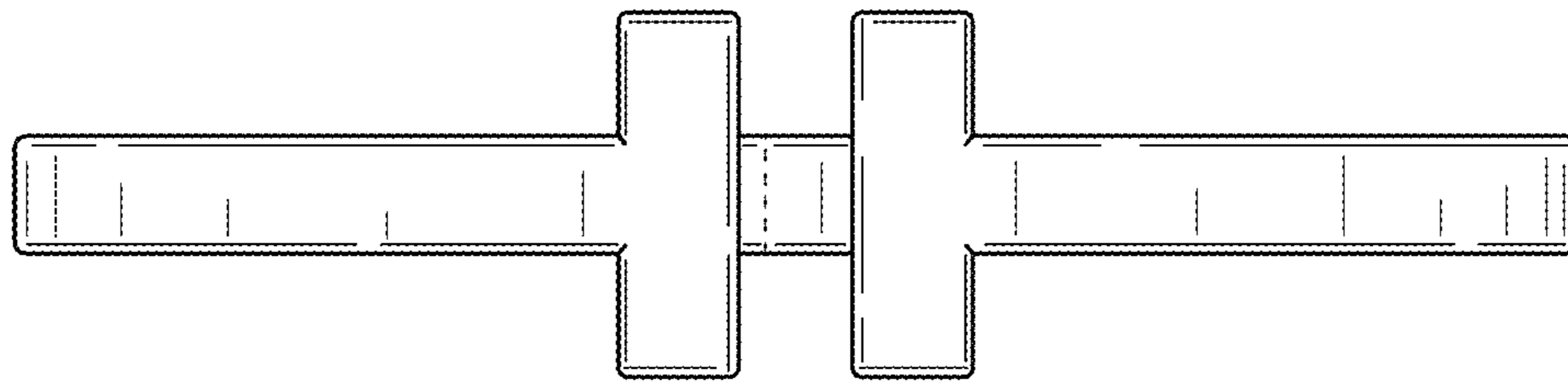


FIG. 9

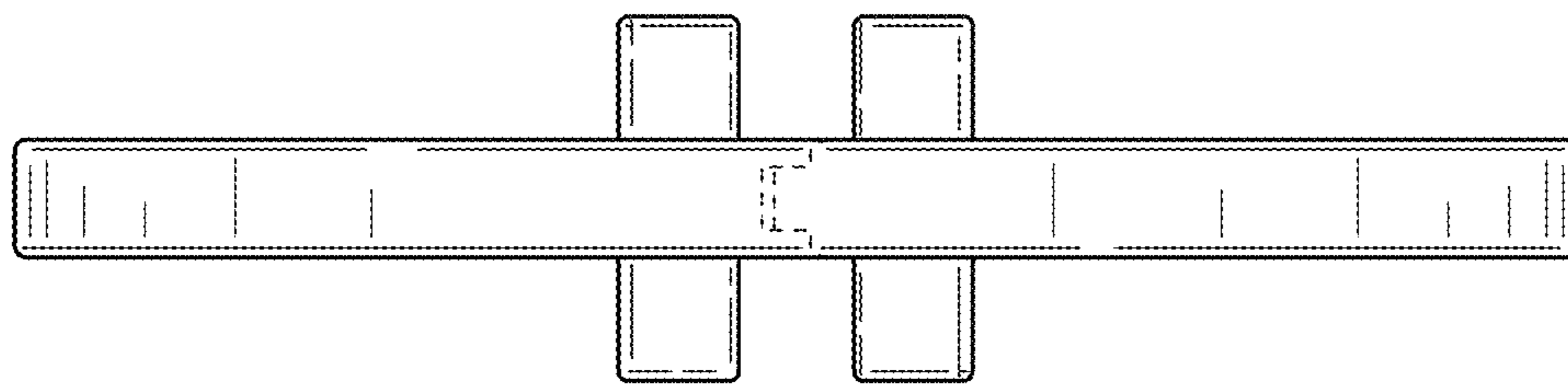


FIG. 10

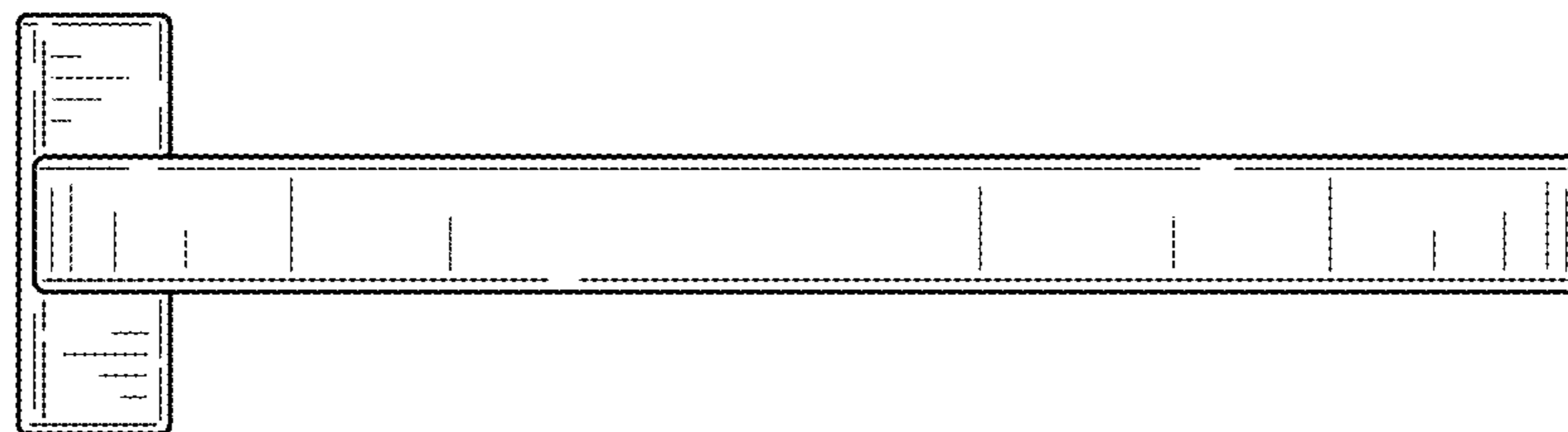


FIG. 11

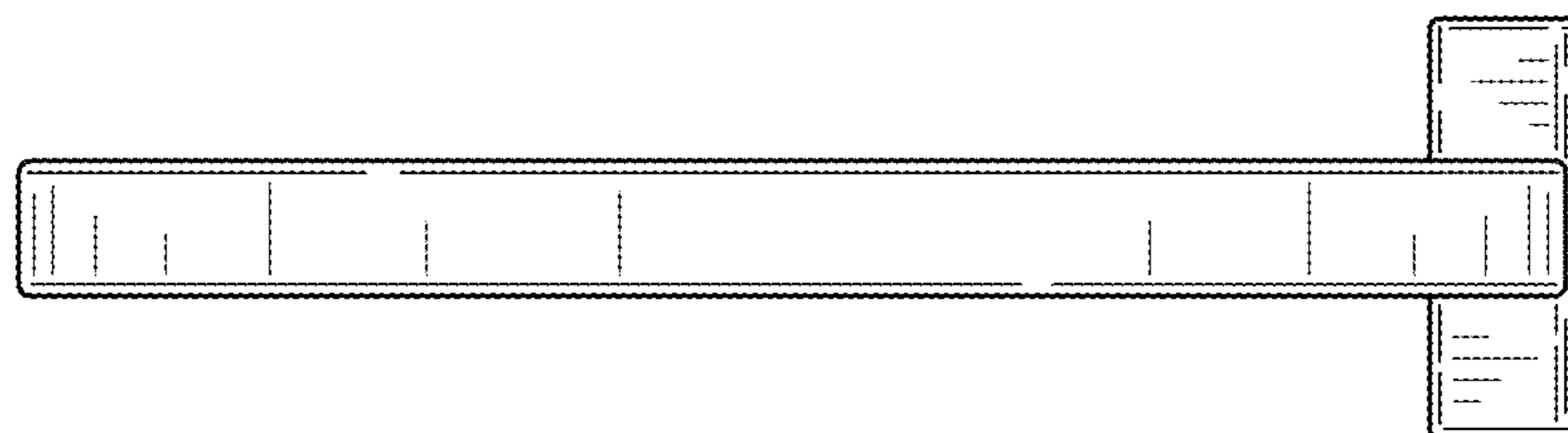


FIG. 12

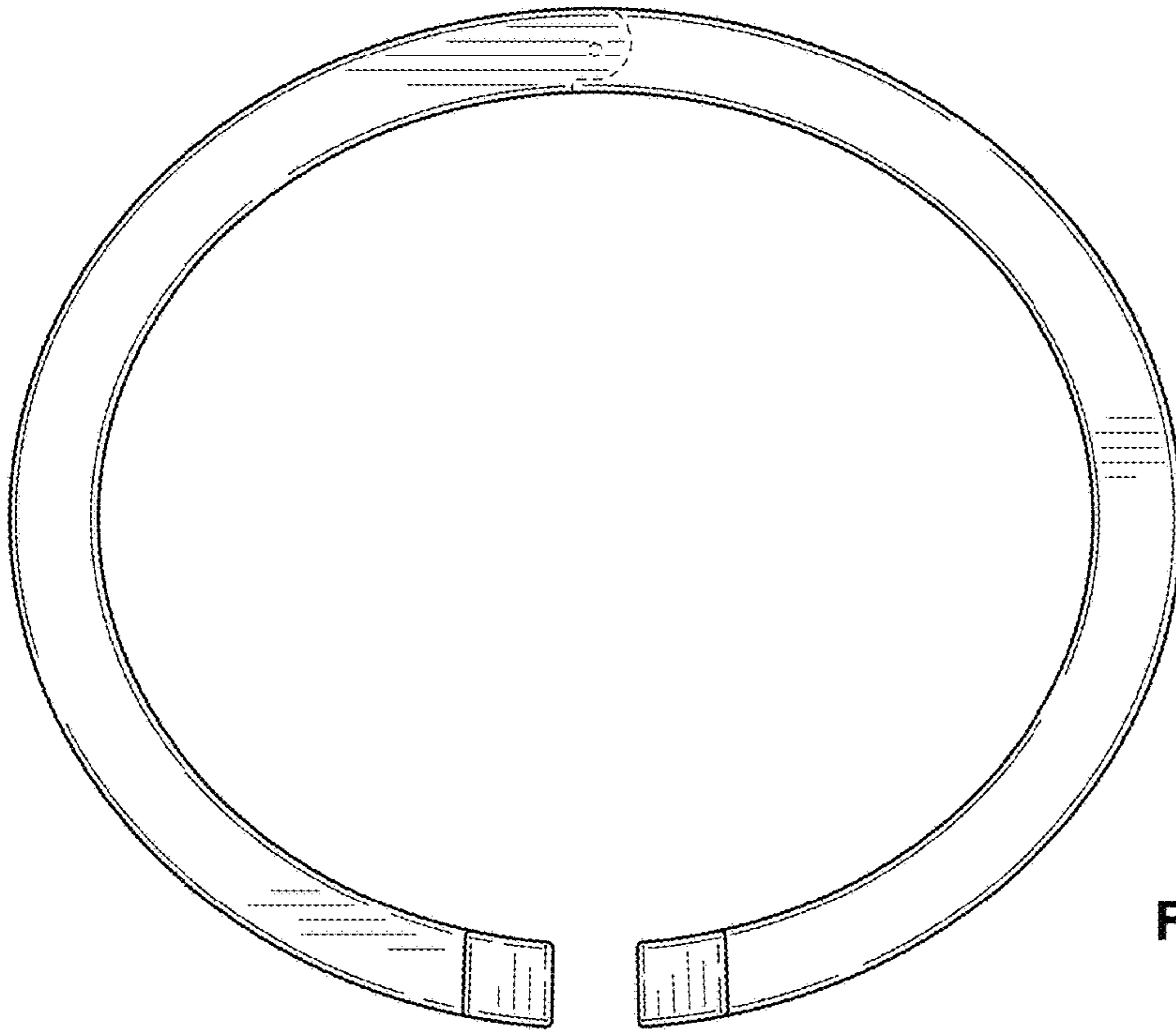


FIG. 13

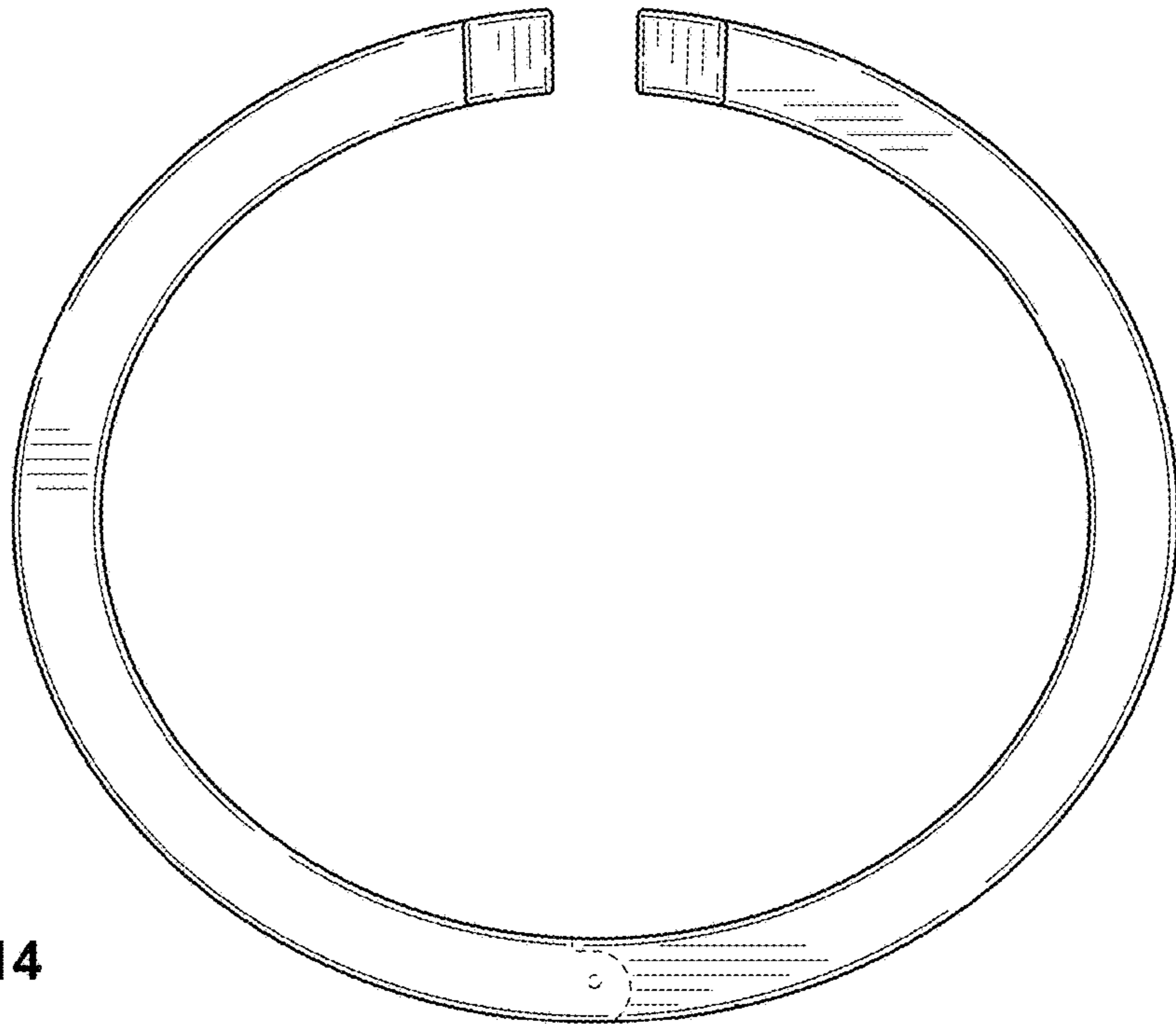


FIG. 14