



US00D784841S

(12) **United States Design Patent** (10) **Patent No.:** **US D784,841 S**  
**Amfitheatrof et al.** (45) **Date of Patent:** **\*\* Apr. 25, 2017**

- (54) **JEWELRY ITEM**
- (71) Applicant: **Tiffany and Company**, New York, NY (US)
- (72) Inventors: **Francesca Amfitheatrof**, New York, NY (US); **Michal Dayan**, Brooklyn, NY (US); **Nina Martensson**, Juoksengi (SE)
- (73) Assignee: **Tiffany and Company**, New York, NY (US)
- (\*\*) Term: **15 Years**
- (21) Appl. No.: **29/579,905**
- (22) Filed: **Oct. 4, 2016**

- D197,799 S \* 3/1964 Nolan ..... D11/26
- D244,675 S \* 6/1977 Mobell ..... D11/27
- D402,570 S \* 12/1998 Wright ..... D10/31
- D494,882 S \* 8/2004 Hara ..... D11/26
- D565,450 S \* 4/2008 Lebail ..... D11/27
- D593,431 S \* 6/2009 Komenaka ..... D11/26
- D616,325 S \* 5/2010 Shaforost ..... D11/4
- D632,991 S \* 2/2011 Caroline ..... D11/27
- D635,880 S \* 4/2011 Gaspard ..... D11/27
- D691,506 S \* 10/2013 Hardy ..... D11/27
- D713,294 S \* 9/2014 Mouquet ..... D11/231
- D757,591 S \* 5/2016 Amfitheatrof ..... D11/222

**OTHER PUBLICATIONS**

[Online] [https://www.net-a-porter.com/us/en/product/830881?cm\\_mmc=ProductSearchPLA--US--FineJewelry-Tiffany&Co-Google&gclid=CjwKEAiAyanCBRDkiO6M\\_rDroH0SJAA-fZ4KLb7huEdbdMvU8SKfmYukCJBfnXUI8cZZaNQ1JozxUtBo-C72rw\\_wcB](https://www.net-a-porter.com/us/en/product/830881?cm_mmc=ProductSearchPLA--US--FineJewelry-Tiffany&Co-Google&gclid=CjwKEAiAyanCBRDkiO6M_rDroH0SJAA-fZ4KLb7huEdbdMvU8SKfmYukCJBfnXUI8cZZaNQ1JozxUtBo-C72rw_wcB). Retrieved Dec. 9, 2016.\*

\* cited by examiner

*Primary Examiner* — Melanie Pellegrini  
(74) *Attorney, Agent, or Firm* — Fross Zelnick Lehrman & Zissu P.C.; Charles T. J. Weigell, Esq.; Lawrence E. Apolzon, Esq.

**Related U.S. Application Data**

- (62) Division of application No. 29/504,306, filed on Oct. 3, 2014.
- (51) **LOC (10) Cl.** ..... **11-01**
- (52) **U.S. Cl.**  
USPC ..... **D11/4; D11/27**
- (58) **Field of Classification Search**  
USPC ..... D11/1-39, 91, 92  
CPC ..... A44C 5/00; A44C 5/0007; A44C 5/0015; A44C 5/0023; A44C 5/003; A44C 5/0038; A44C 5/0046; A44C 9/00; A44C 9/0007; A44C 9/0015; A44C 9/0023; A44C 9/003; A44C 9/0038; A44C 9/0046; A44C 9/0053; A44C 9/0061; A44C 9/0069; A44C 9/0076; A44C 17/02  
See application file for complete search history.

(57) **CLAIM**

The ornamental design for a jewelry item, as shown and described.

**DESCRIPTION**

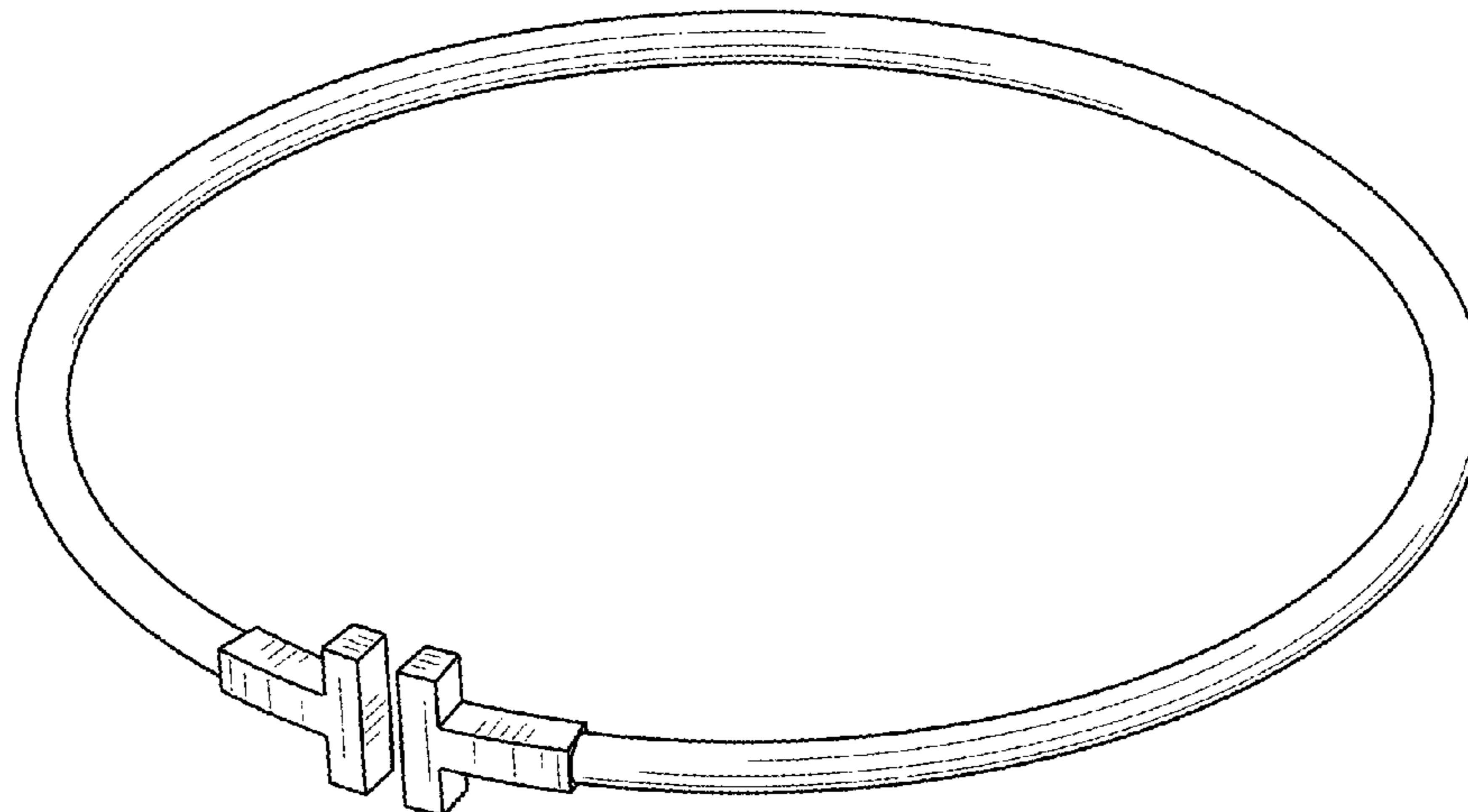
FIG. 1 is a front perspective view of a jewelry item showing our new design;  
FIG. 2 is a front view thereof;  
FIG. 3 is a rear view thereof;  
FIG. 4 is a left side view thereof;  
FIG. 5 is a right side view thereof;  
FIG. 6 is a top view thereof; and,  
FIG. 7 is a bottom view thereof.

(56) **References Cited**

**U.S. PATENT DOCUMENTS**

- D20,548 S \* 3/1891 Ostergren et al. .... D11/4
- D126,373 S \* 4/1941 Braun ..... 63/15

**1 Claim, 3 Drawing Sheets**



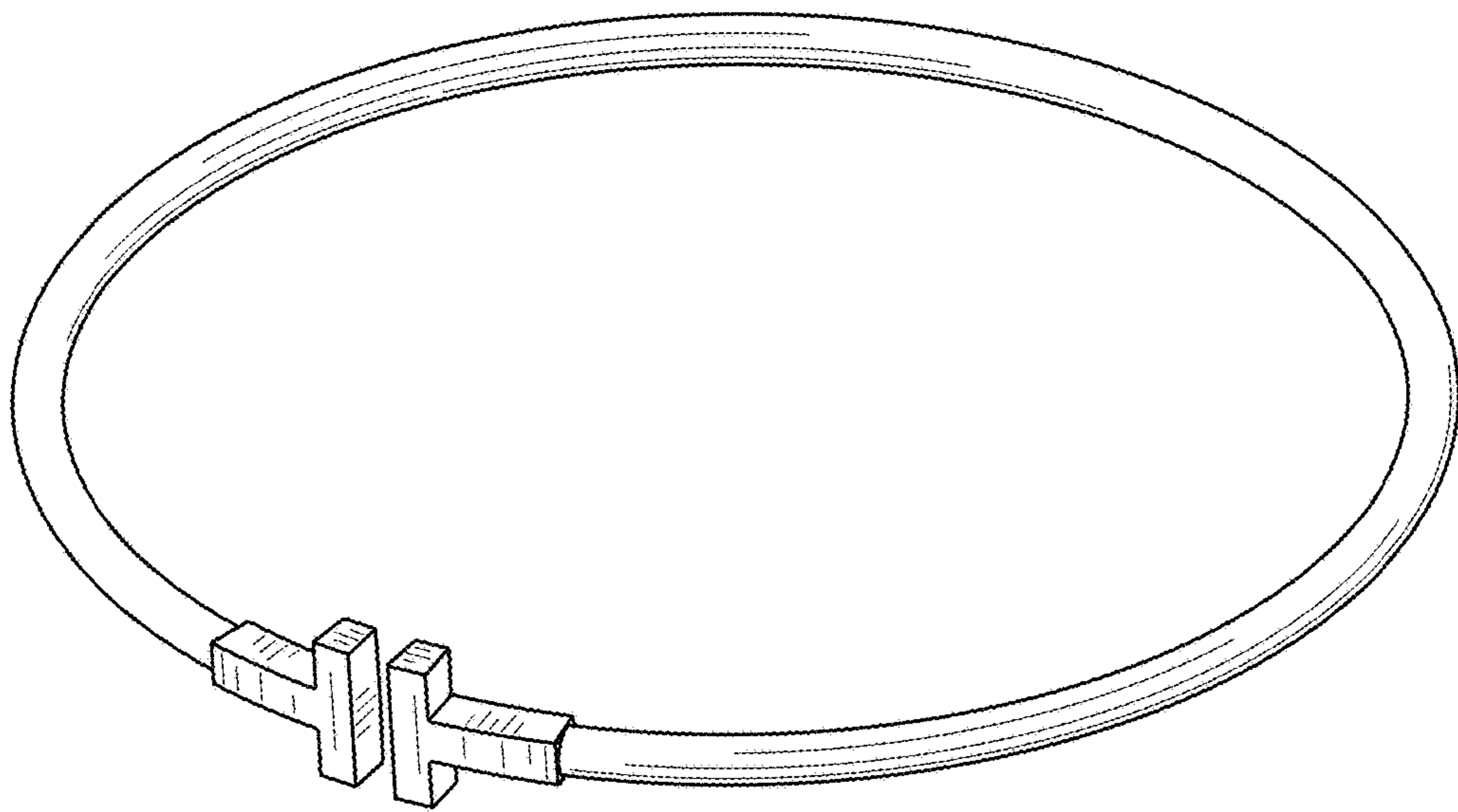


FIG. 1

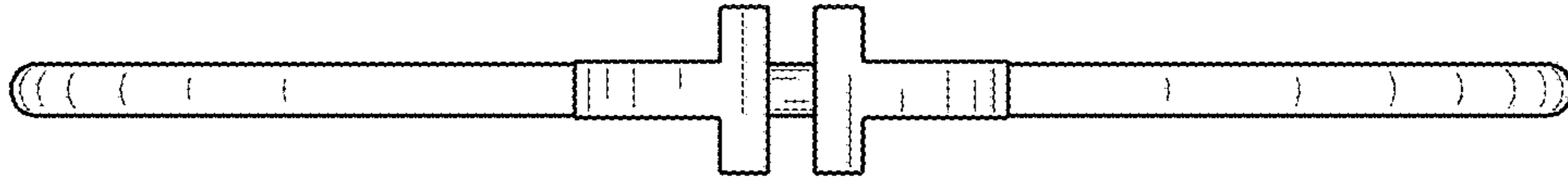


FIG. 2

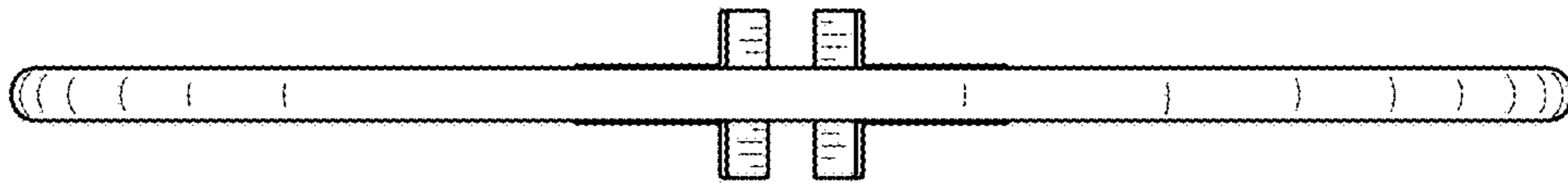


FIG. 3



FIG. 4

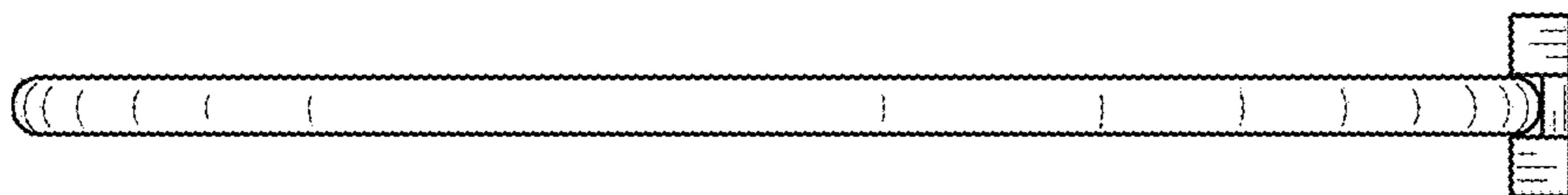


FIG. 5

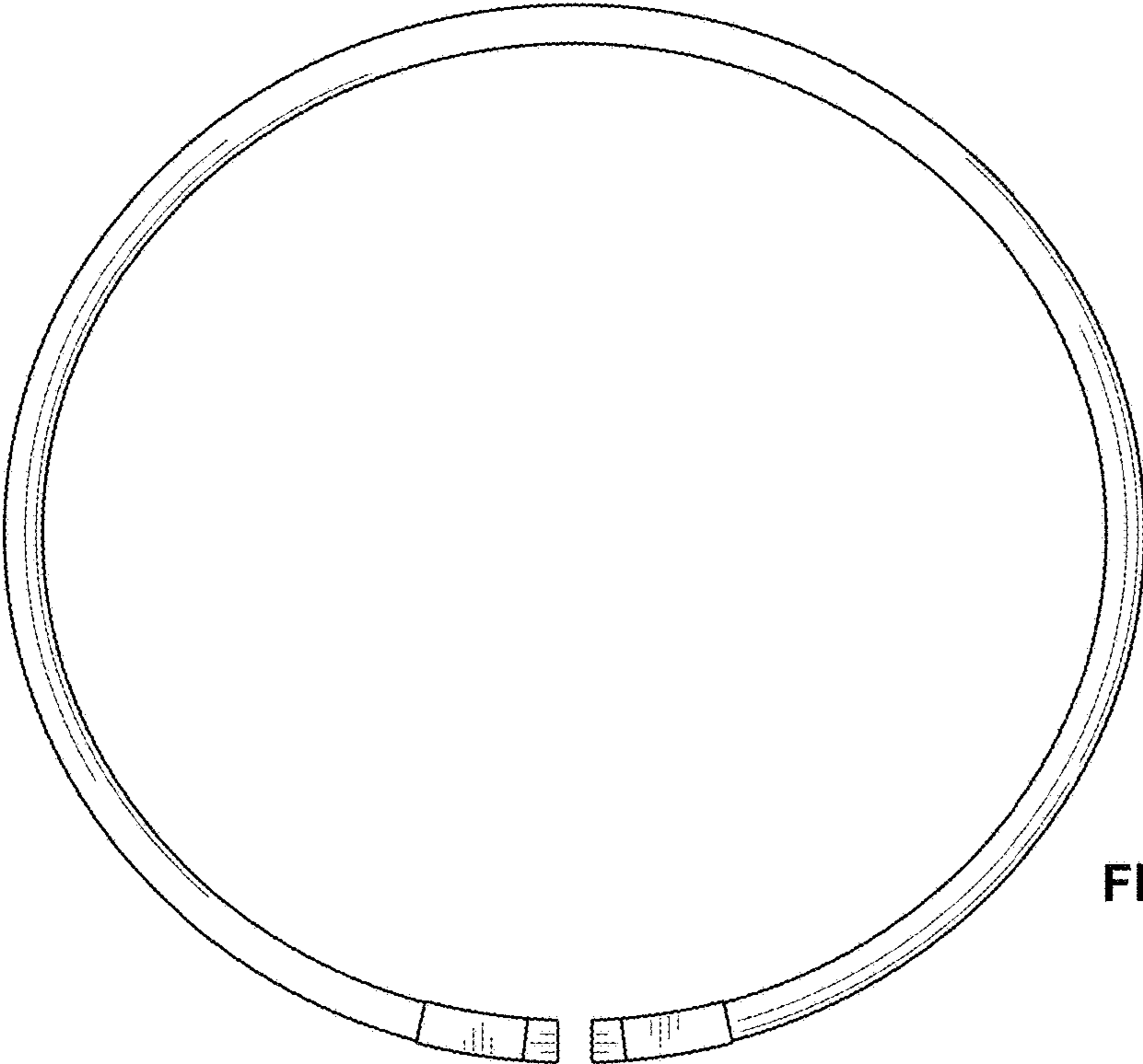


FIG. 6

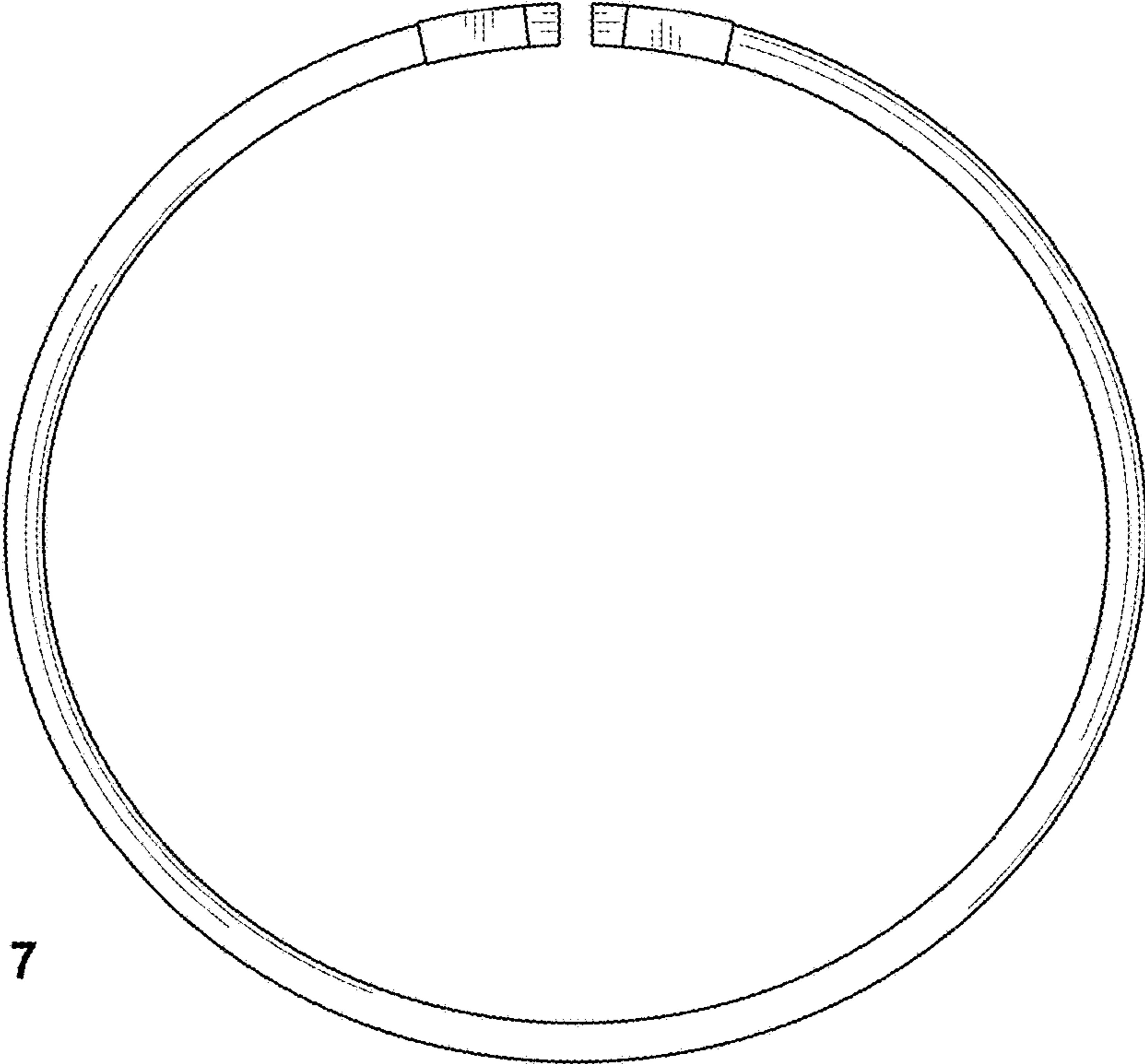


FIG. 7