



US00D784839S

(12) **United States Design Patent** (10) **Patent No.:** **US D784,839 S**
Frazzini et al. (45) **Date of Patent:** **** Apr. 25, 2017**

(54) **BRACELET**

- (71) Applicant: **Still Dreaming LLC**, Wexford, PA (US)
- (72) Inventors: **Robert Frazzini**, Wexford, PA (US);
Kayla Perkins, Sewickley, PA (US)
- (73) Assignee: **Still Dreaming LLC**, Wexford, PA (US)
- (**) Term: **15 Years**
- (21) Appl. No.: **29/537,480**
- (22) Filed: **Aug. 26, 2015**
- (51) **LOC (10) Cl.** **11-01**
- (52) **U.S. Cl.**
USPC **D11/3**
- (58) **Field of Classification Search**
USPC D11/1-39; D14/344
CPC . A44C 15/005; A44C 15/0015; A44C 15/001;
A44C 15/0035; A44C 25/001; A44C 25/00;
A44C 25/005; A44C 5/00; A44C 5/0015;
A44C 5/0007; A44C 5/0084; A44C 5/12;
A44C 5/2076; A44C 13/00; A44C 11/002;
A44C 9/00; A44C 9/003; A44C 9/0046;
A44C 17/0233; A44C 17/04; A44C 27/006;
A44C 7/00; A44C 7/002; A44C 23/00; A44D 2205/00
See application file for complete search history.

(56) **References Cited**

U.S. PATENT DOCUMENTS

D148,114 S	*	12/1947	Pruett	D11/17
D546,727 S	*	7/2007	Hardy	D11/38
D546,728 S	*	7/2007	Hardy	D11/38
D557,170 S	*	12/2007	Hardy	D11/38
D624,192 S	*	9/2010	Zeidel	D11/3
D680,021 S	*	4/2013	Parvex	D11/4
D709,788 S	*	7/2014	Samanta	D11/4
D730,230 S	*	5/2015	Zeuner	D11/27
D731,347 S	*	6/2015	Zeuner	D11/27

OTHER PUBLICATIONS

The Ultimate Cuff, Kickstarter.com, earliest date available Jan. 5, 2016, online. Visited Sep. 29, 2016. Internet URL:<"https://www.kickstarter.com/projects/2005401779/the-ultimate-cuff?ref=nav_search">.*
The Ultimate Cuff, Facebook page, earliest date available year 2015, online. Visited Sep. 29, 2016. Internet URL:<"https://www.facebook.com/theultimatecuff">.*

* cited by examiner

Primary Examiner — Cynthia Ramirez
Assistant Examiner — Llorellys Martinez-Rivera
(74) *Attorney, Agent, or Firm* — The Webb Law Firm

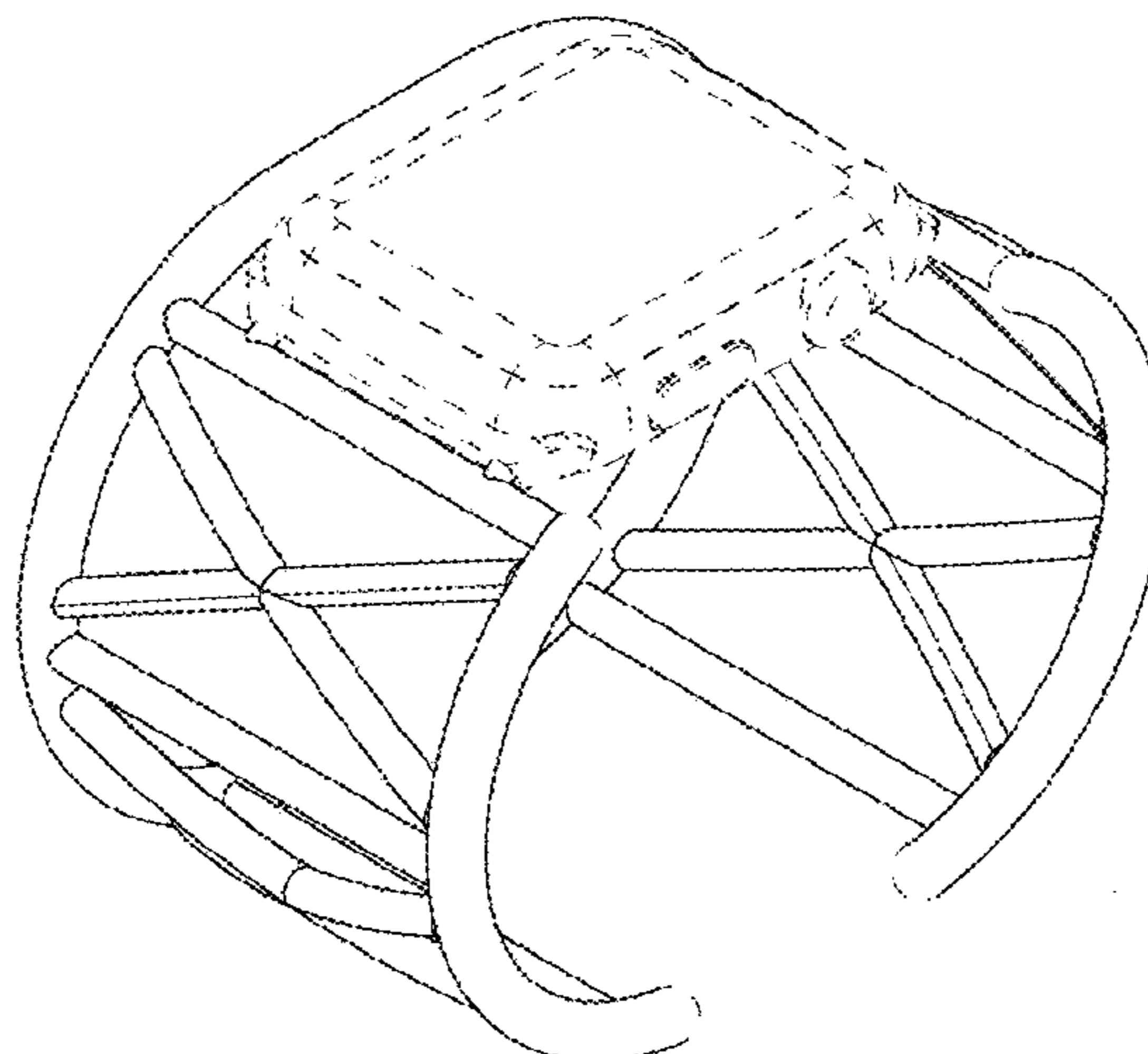
(57) **CLAIM**

The ornamental design for a bracelet, as shown and described.

DESCRIPTION

FIG. 1 is a top plan view of a first embodiment of a bracelet showing our new design;
FIG. 2 is a bottom plan view thereof;
FIG. 3 is a side view thereof;
FIG. 4 is an opposite side view thereof;
FIG. 5 is another side view thereof;
FIG. 6 is a perspective view thereof;
FIG. 7 is a top plan view of a second embodiment of a bracelet showing our new design;
FIG. 8 is a bottom plan view thereof;
FIG. 9 is a side view thereof;
FIG. 10 is an opposite side view thereof;
FIG. 11 is another side view thereof; and,
FIG. 12 is a perspective view thereof.
The broken lines shown in FIGS. 1 through 6 illustrate portions of the bracelet that form no part of the claimed design. The other broken lines showing a device in FIGS. 1-12 represent environmental subject matter only and form no part of the claimed design.

1 Claim, 10 Drawing Sheets



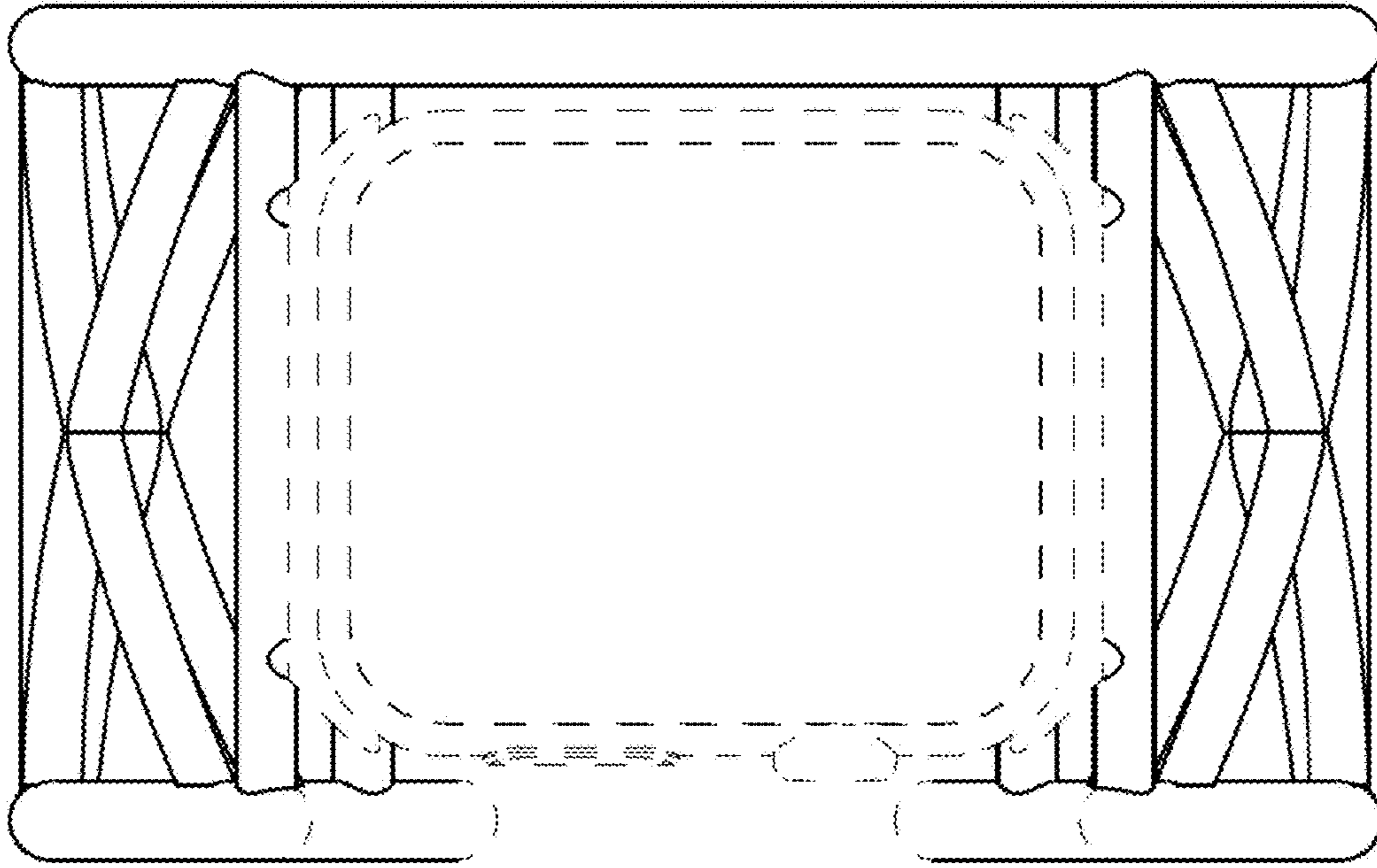


FIG. 1

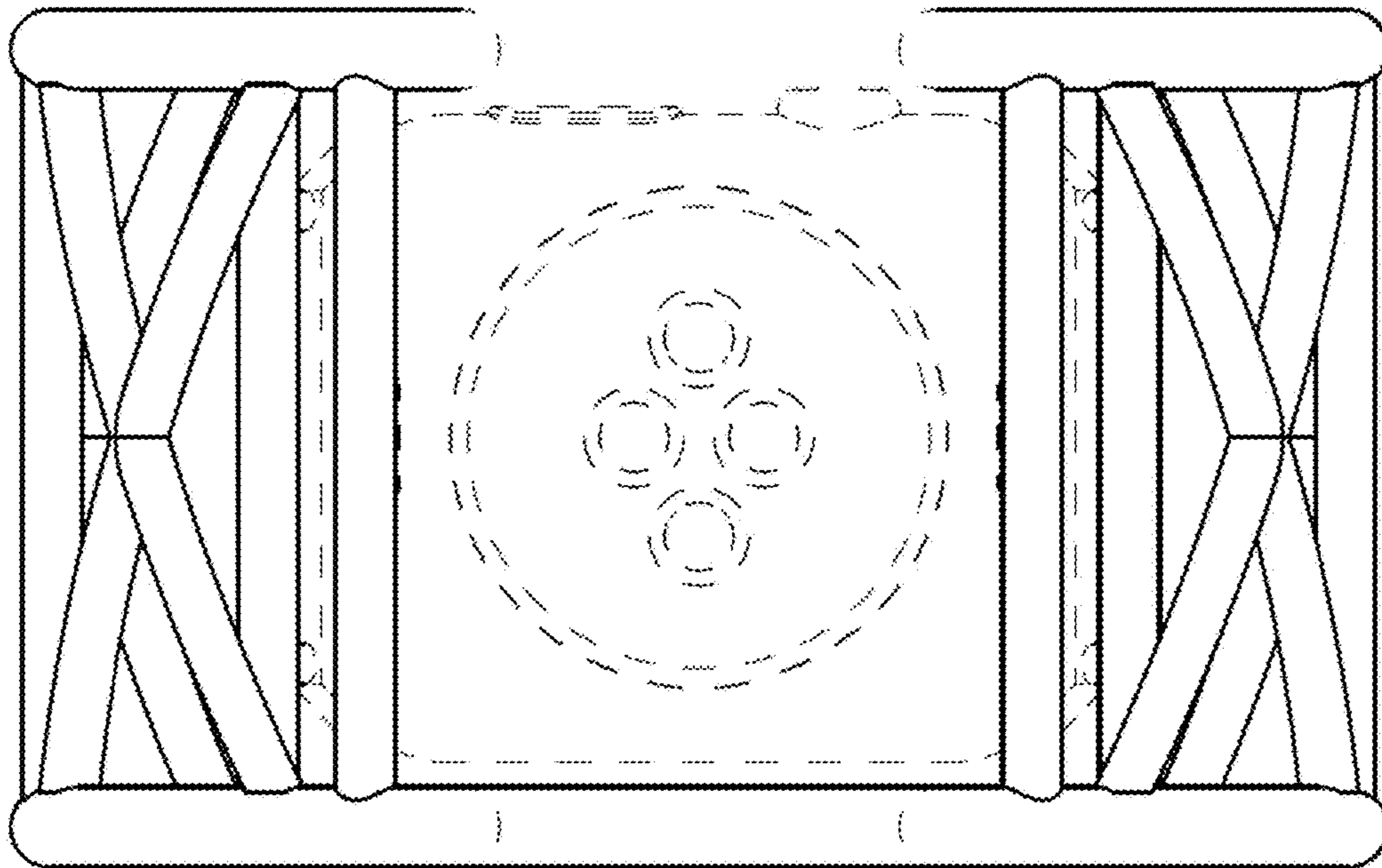


FIG. 2

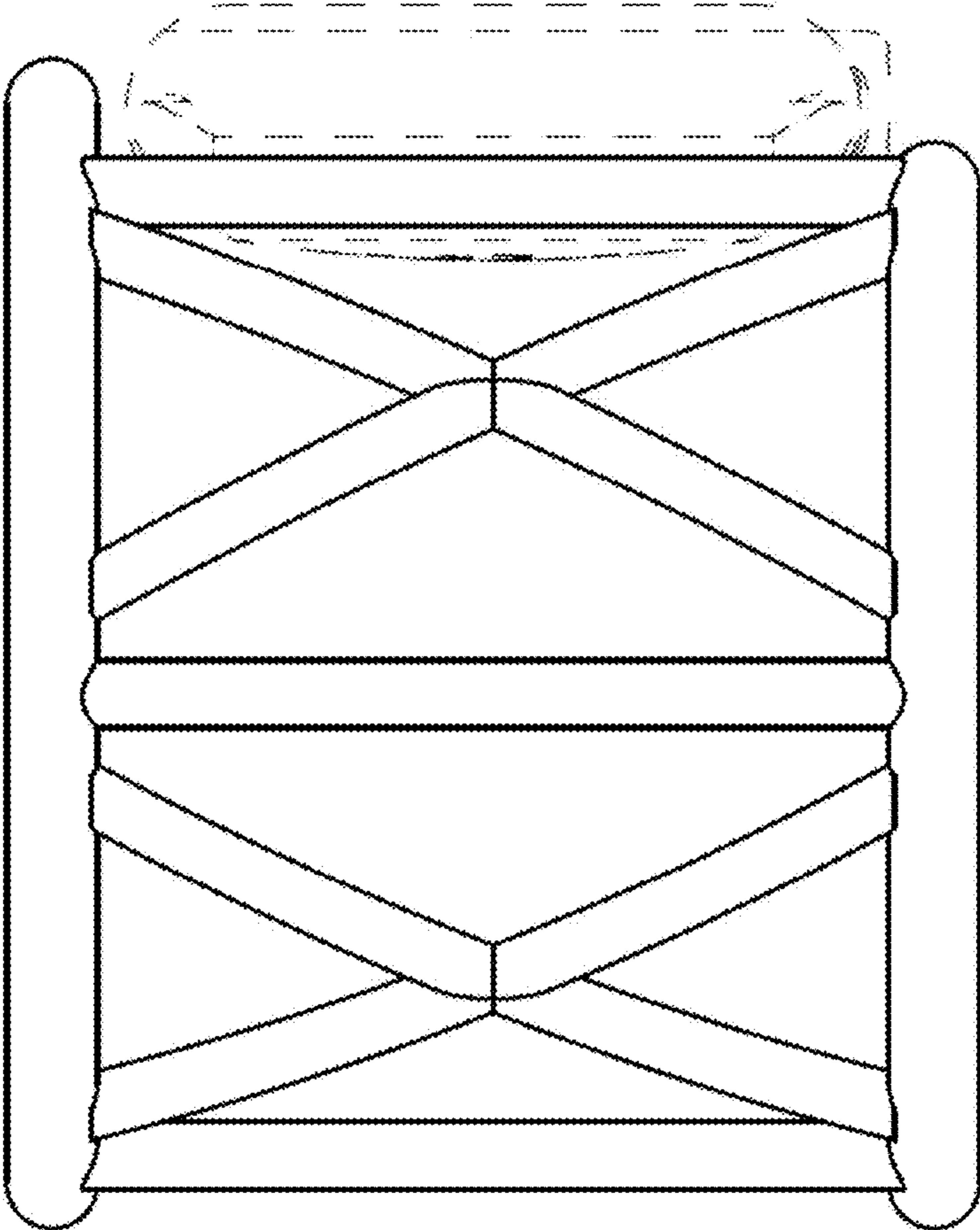


FIG. 3

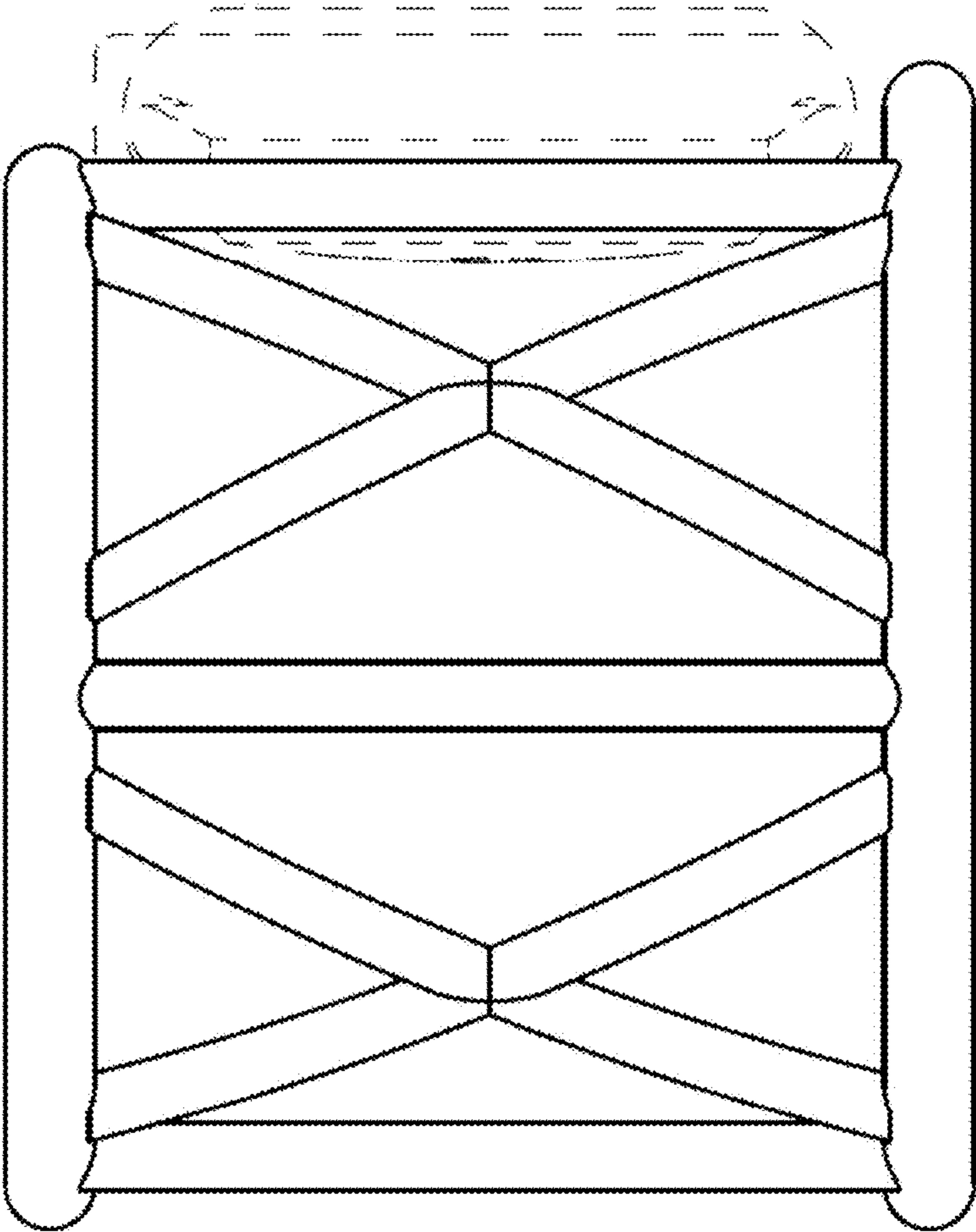


FIG. 4

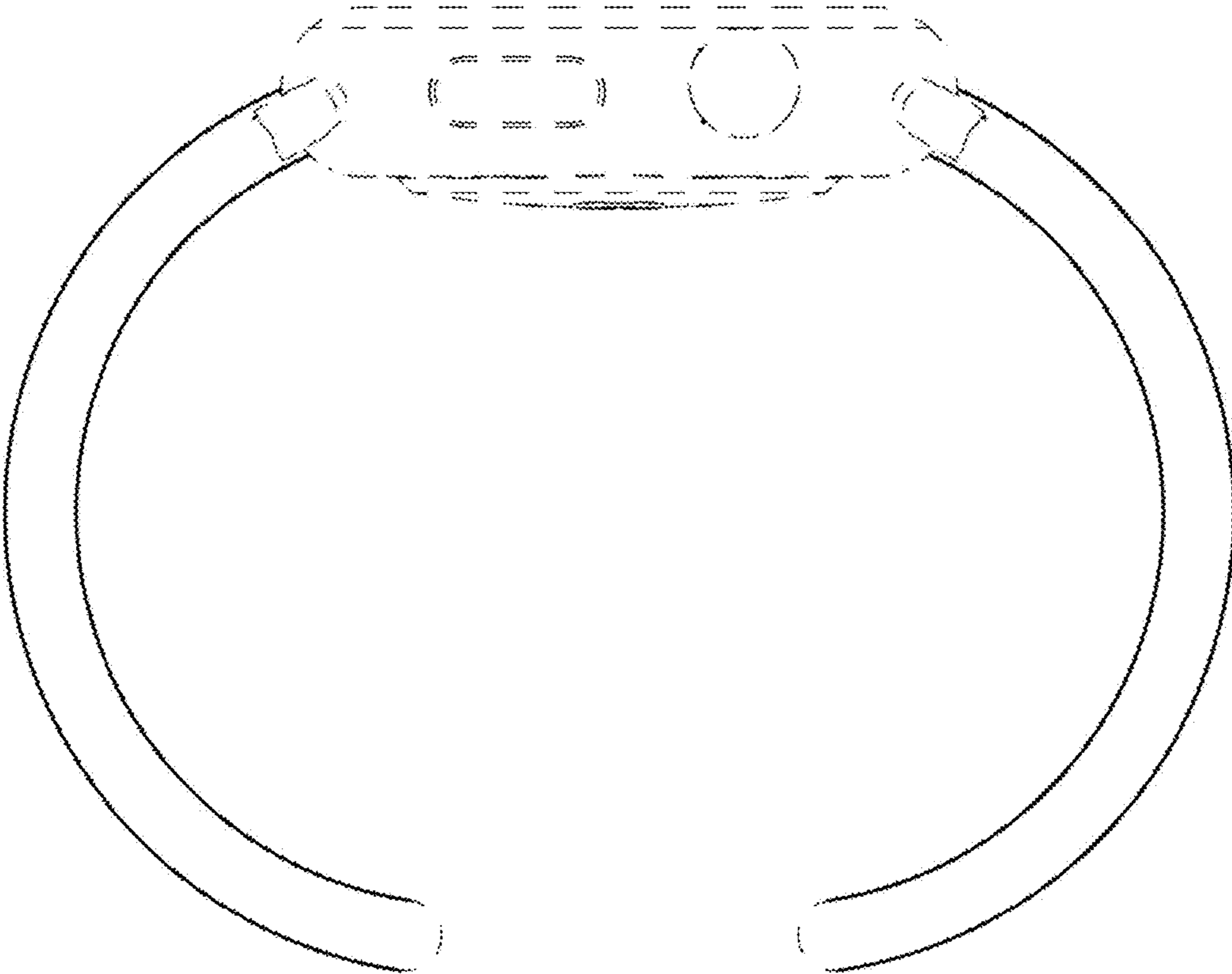


FIG. 5

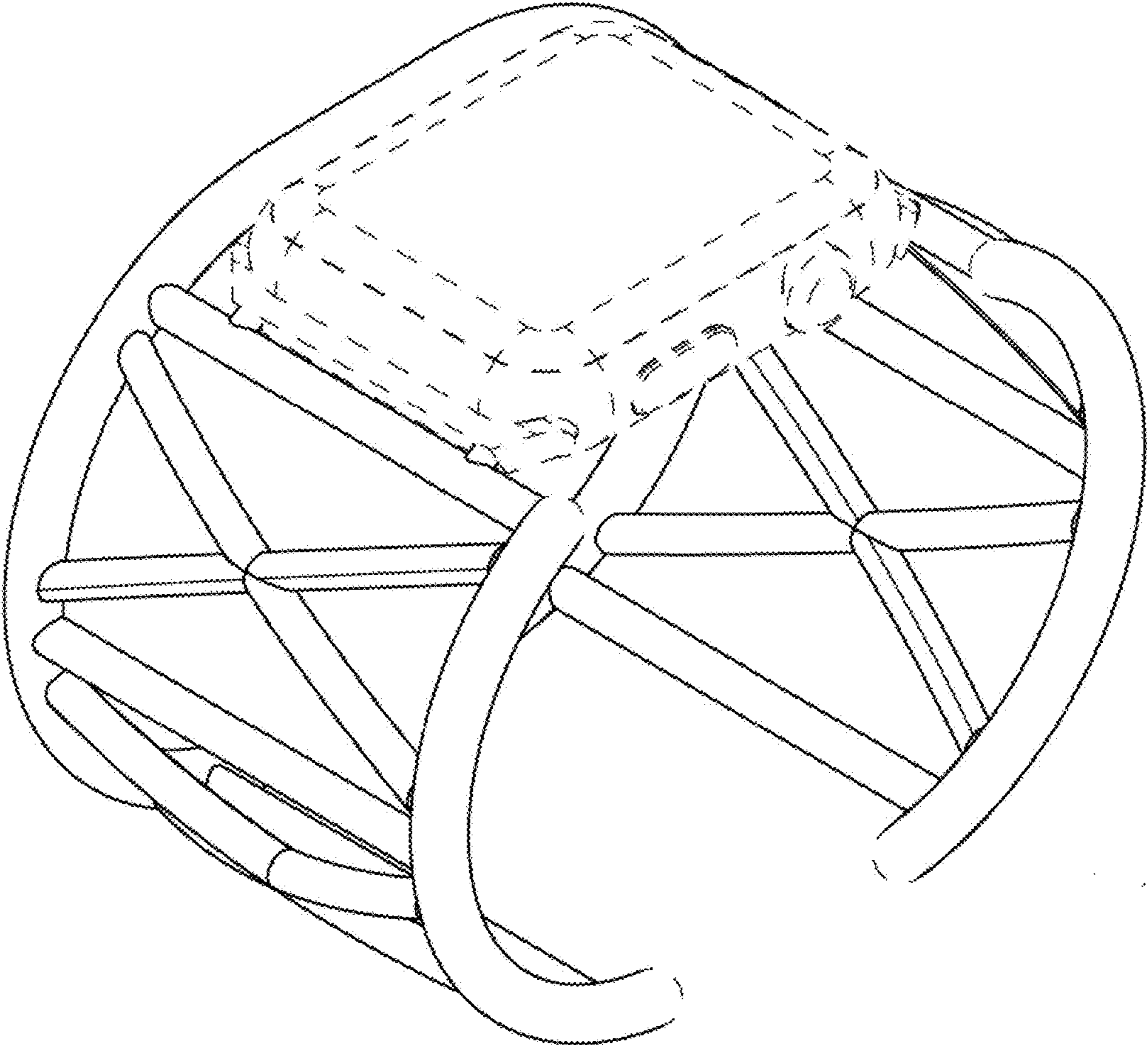


FIG. 6

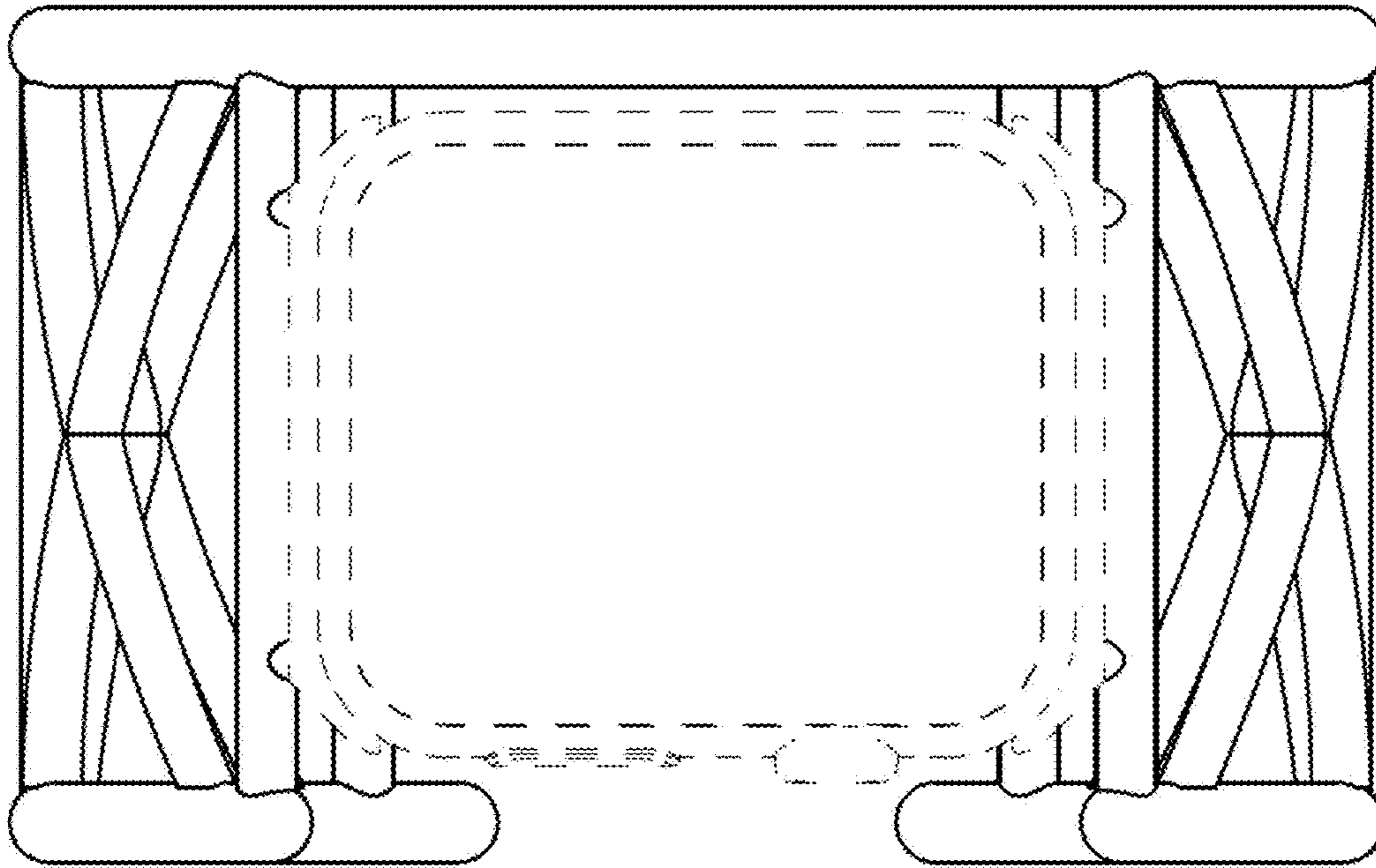


FIG. 7

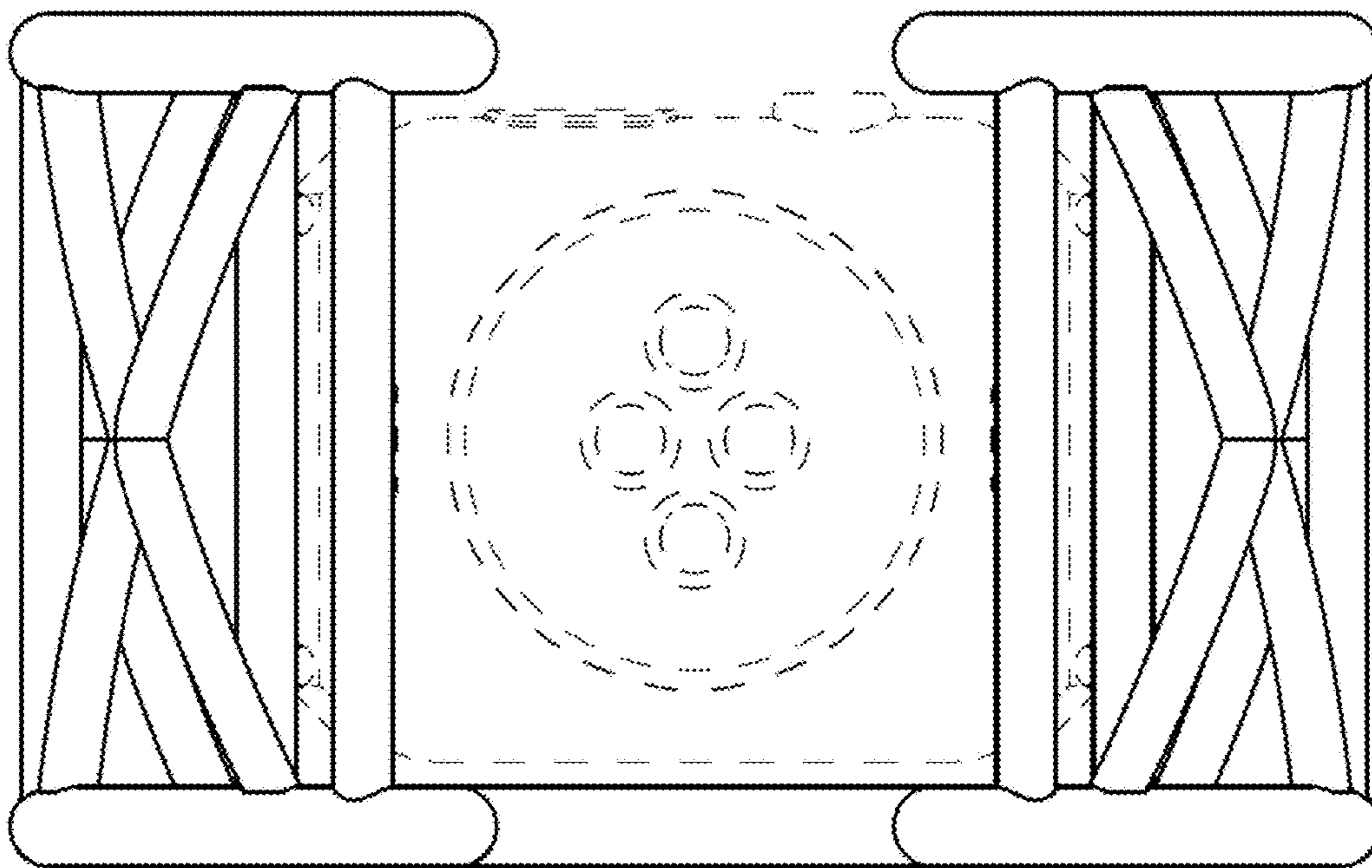


FIG. 8

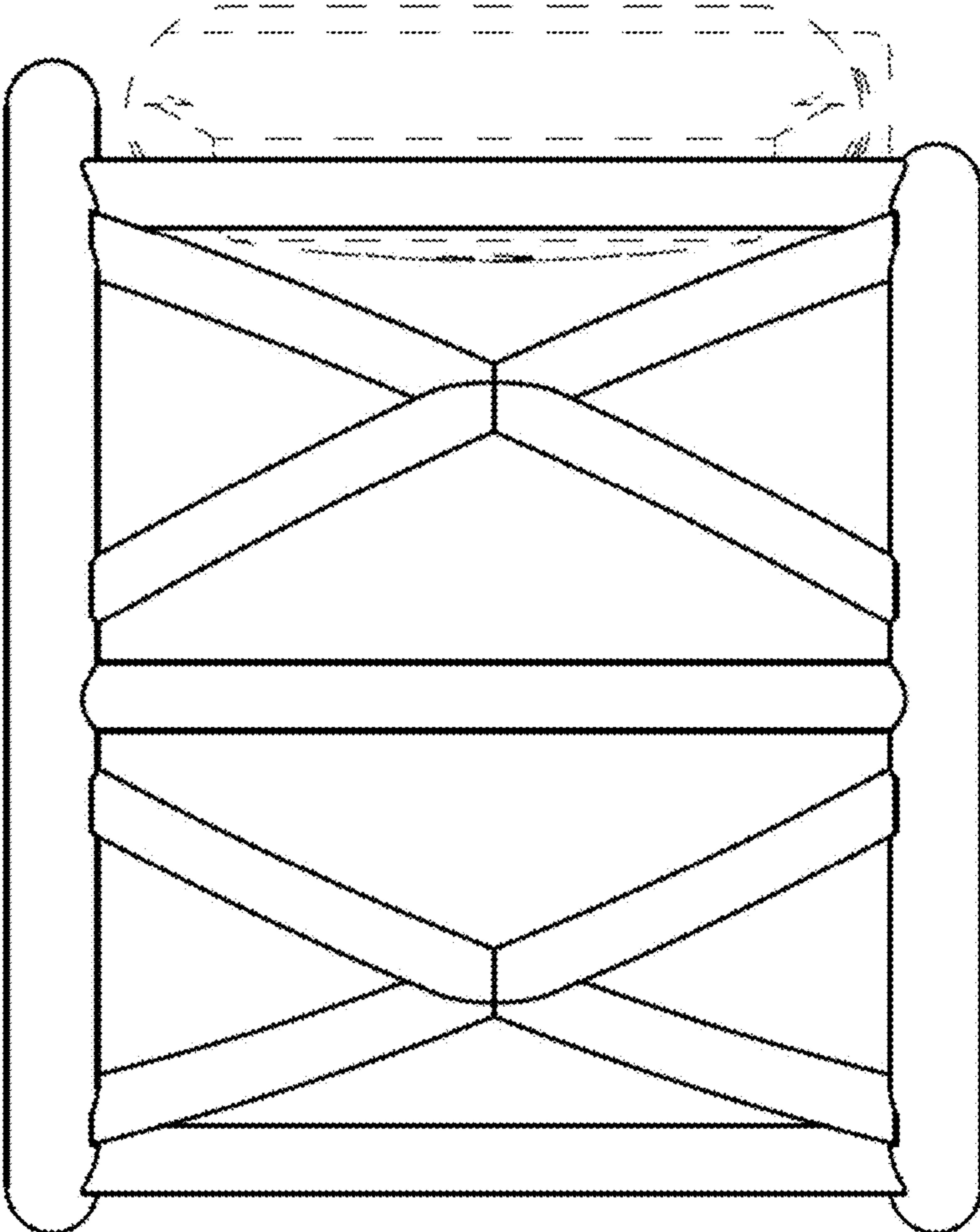


FIG. 9

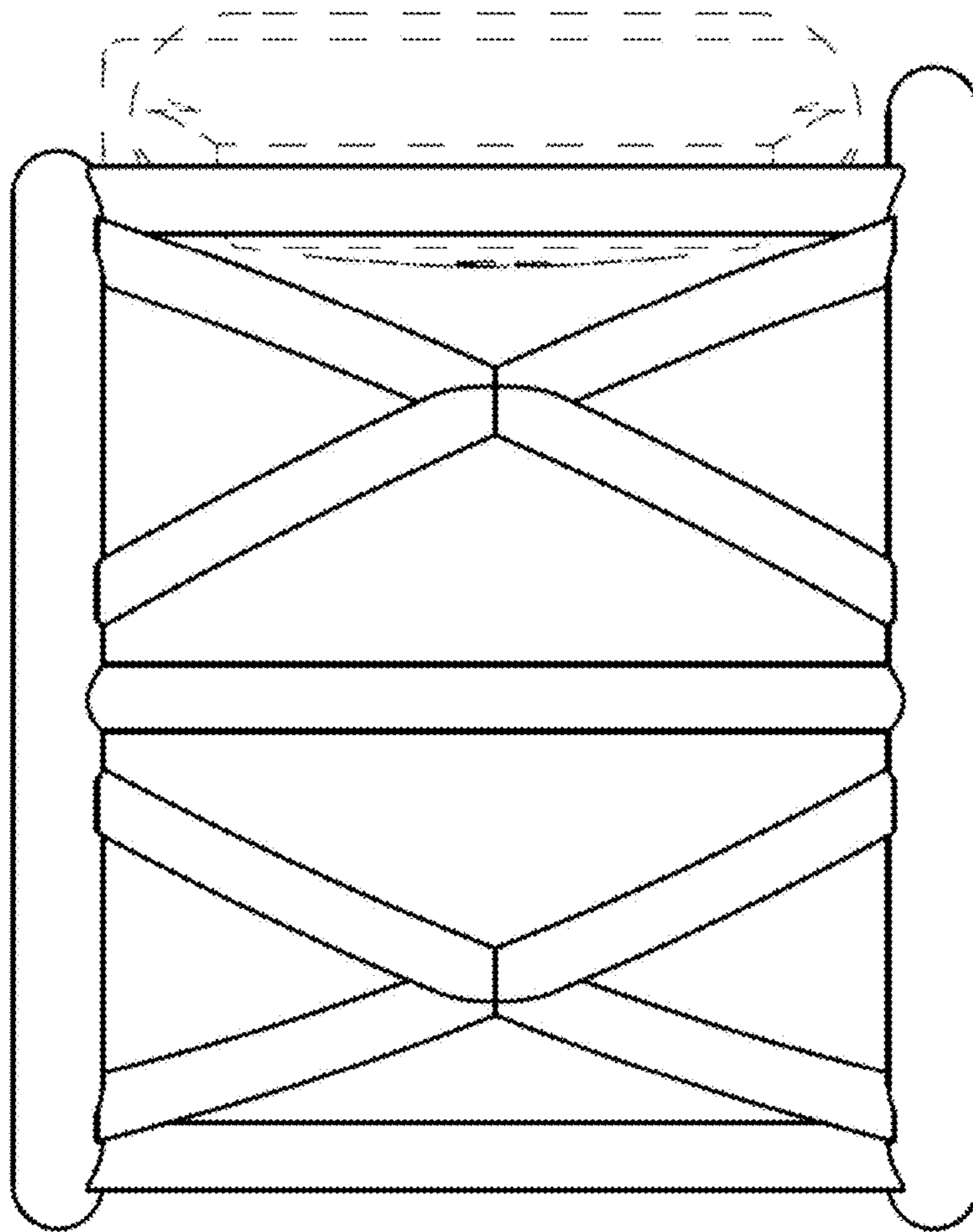


FIG. 10

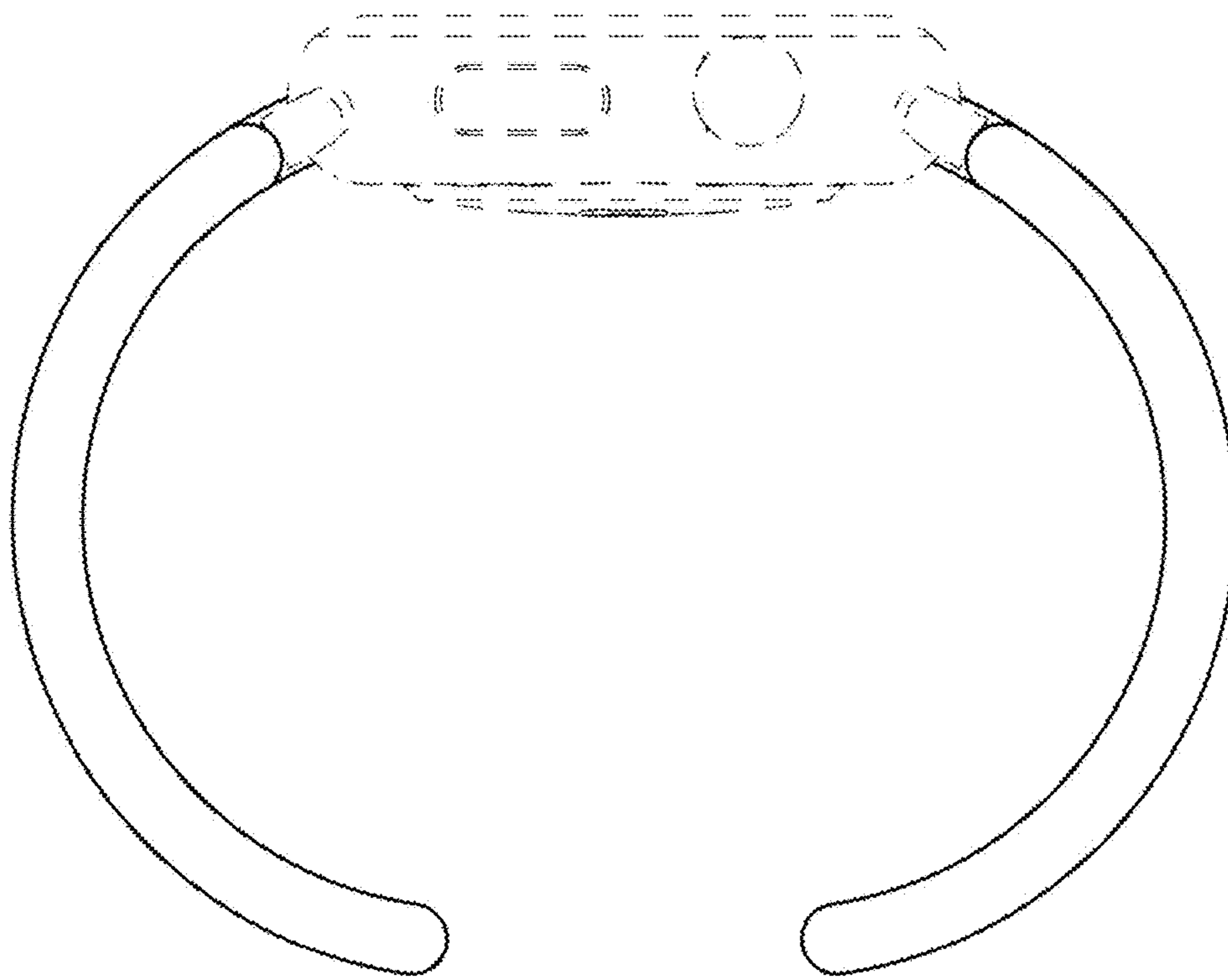


FIG. 11

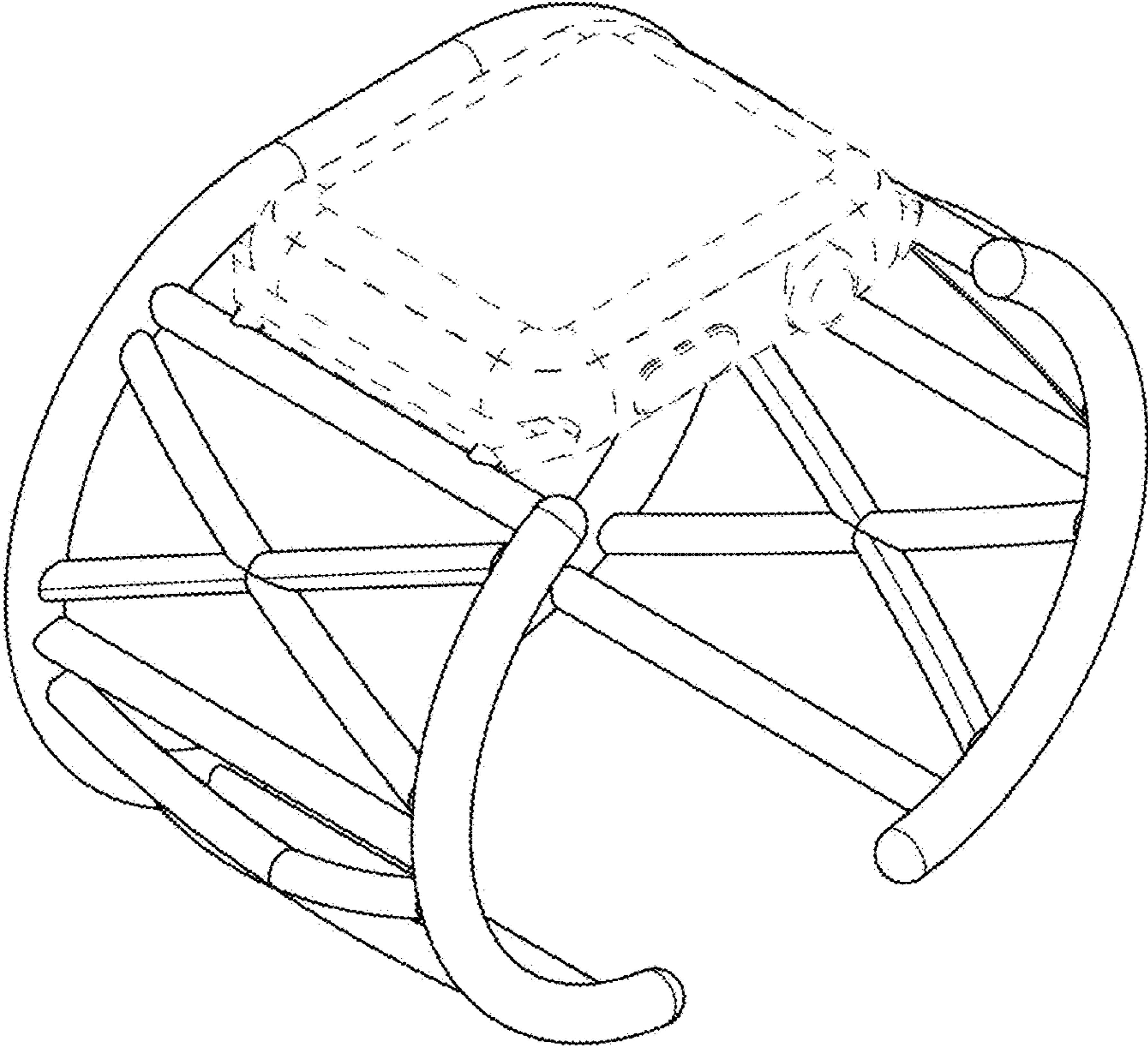


FIG. 12