



US00D784838S

(12) **United States Design Patent**  
**Kuramoto et al.**

(10) **Patent No.:** **US D784,838 S**  
(45) **Date of Patent:** **\*\* Apr. 25, 2017**

(54) **COVER FOR WATCH-SHAPED TOY**

(71) Applicant: **BANDAI CO., LTD.**, Tokyo (JP)

(72) Inventors: **Yukiko Kuramoto**, Tokyo (JP);  
**Nakayuki Sato**, Tokyo (JP)

(73) Assignee: **BANDAI CO., LTD.**, Tokyo (JP)

(\*\*) Term: **15 Years**

(21) Appl. No.: **29/556,595**

(22) Filed: **Mar. 1, 2016**

(30) **Foreign Application Priority Data**

Sep. 2, 2015 (JP) ..... 2015-019402

(51) **LOC (10) Cl.** ..... **10-07**

(52) **U.S. Cl.**  
USPC ..... **D10/132**

(58) **Field of Classification Search**  
USPC ..... D10/30-39, 1-29, 122-132  
CPC ..... G04B 19/20; G04B 19/14; G04B 19/18;  
G04B 37/0008; G04B 37/0058; G04B  
37/116; G04B 37/1486; G04B 45/0069;  
A44C 5/14  
See application file for complete search history.

(56) **References Cited**

**U.S. PATENT DOCUMENTS**

D60,866 S \* 4/1922 Kuchtik ..... D10/30  
D150,129 S \* 7/1948 Geduldig ..... D10/32  
4,396,296 A \* 8/1983 Stodden ..... G04B 37/1486  
368/101  
5,005,161 A \* 4/1991 Boilen ..... G04B 47/046  
368/295  
D386,692 S \* 11/1997 Kume ..... D10/30  
D389,750 S \* 1/1998 Houlihan ..... D10/30

D417,236 S \* 11/1999 Burrus ..... D10/31  
D434,334 S \* 11/2000 Wunderman ..... D10/30  
D472,837 S \* 4/2003 Moritz ..... D10/128  
D473,145 S \* 4/2003 Chang ..... D10/2  
D498,674 S \* 11/2004 Smouha ..... D6/661.3  
D507,189 S \* 7/2005 Moritz ..... D10/30  
D717,683 S \* 11/2014 Grinberg ..... D10/132  
9,202,090 B2 \* 12/2015 Matsui ..... G06K 5/00  
D758,504 S \* 6/2016 Shimoda ..... D21/531

**FOREIGN PATENT DOCUMENTS**

IT WO 2005047989 A2 \* 5/2005 ..... G04B 19/18

\* cited by examiner

*Primary Examiner* — Sheryl Lane

*Assistant Examiner* — Samantha Wood

(74) *Attorney, Agent, or Firm* — Rabin & Berdo, P.C.

(57) **CLAIM**

The ornamental design for a cover for a watch-shaped toy, as shown and described.

**DESCRIPTION**

FIG. 1 is an environmental perspective view of a cover for a watch-shaped toy;

FIG. 2 is a front perspective view of the cover;

FIG. 3 is a rear perspective view thereof;

FIG. 4 is a front view thereof;

FIG. 5 is a rear view thereof;

FIG. 6 is a top view thereof;

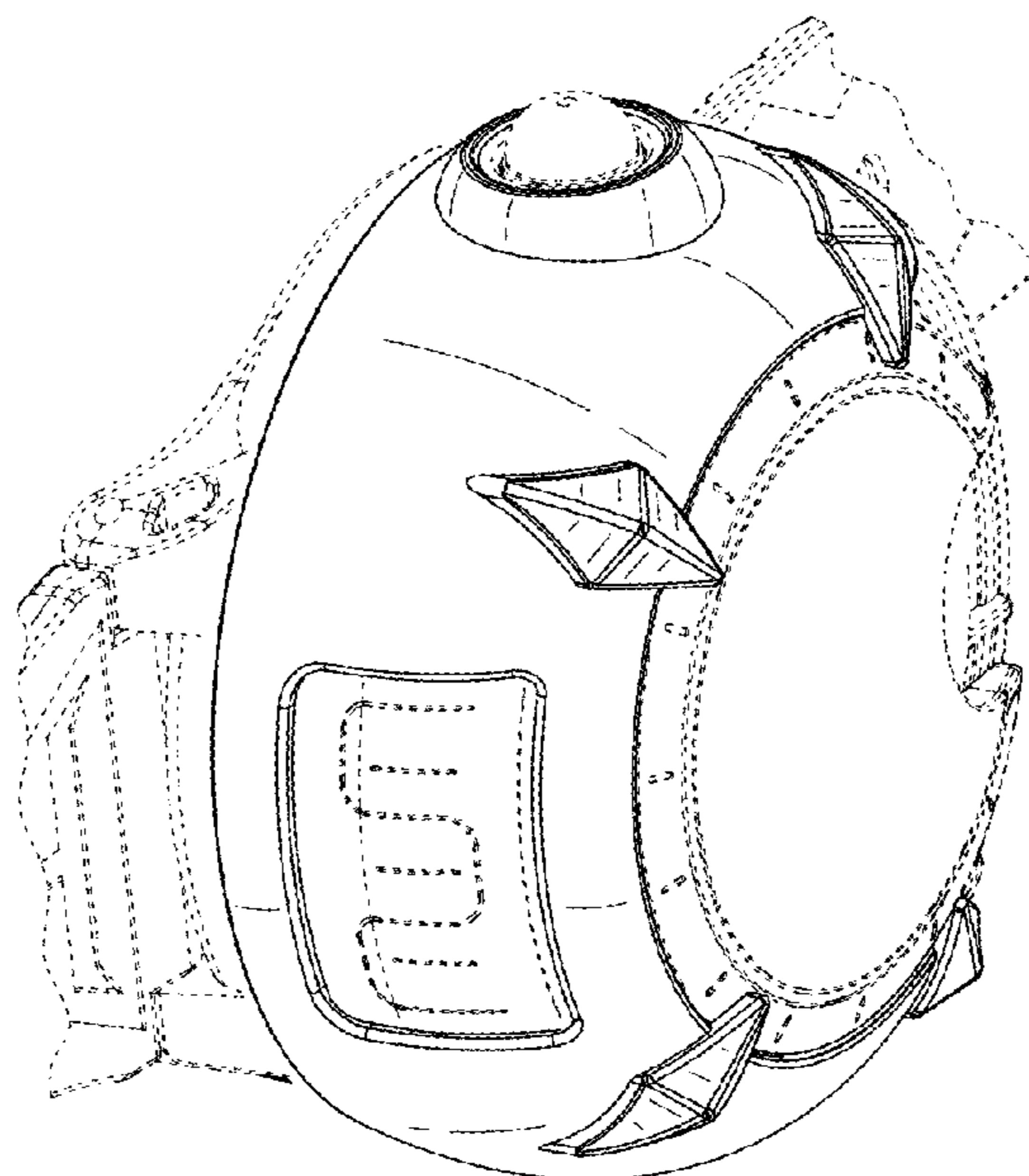
FIG. 7 is a bottom view thereof;

FIG. 8 is a left side view thereof; and,

FIG. 9 is a right side view thereof.

The broken line showing of the Watch is included for the purpose of illustrating the environmental structure and forms no part of the claimed design.

**1 Claim, 4 Drawing Sheets**



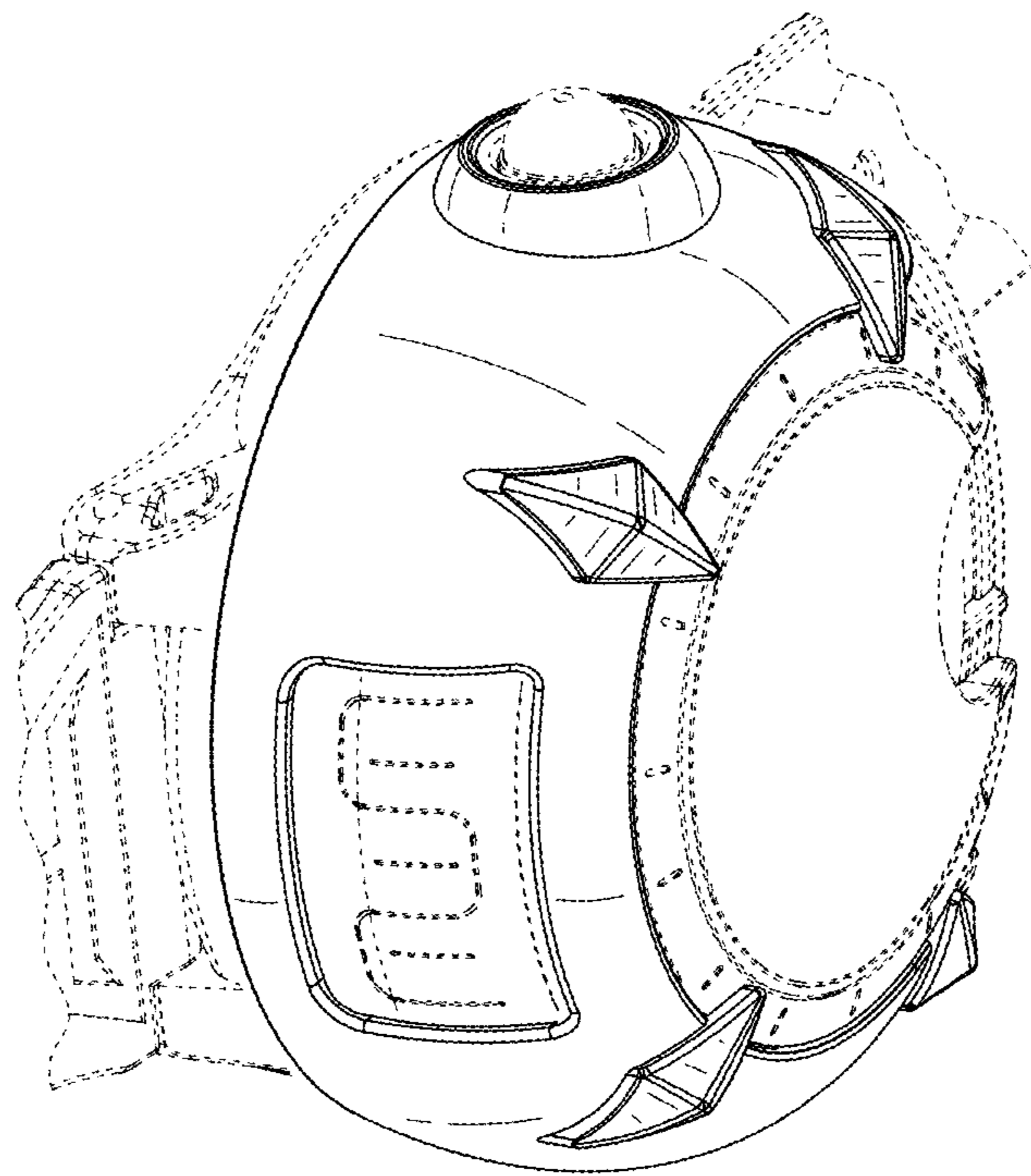


FIG. 1

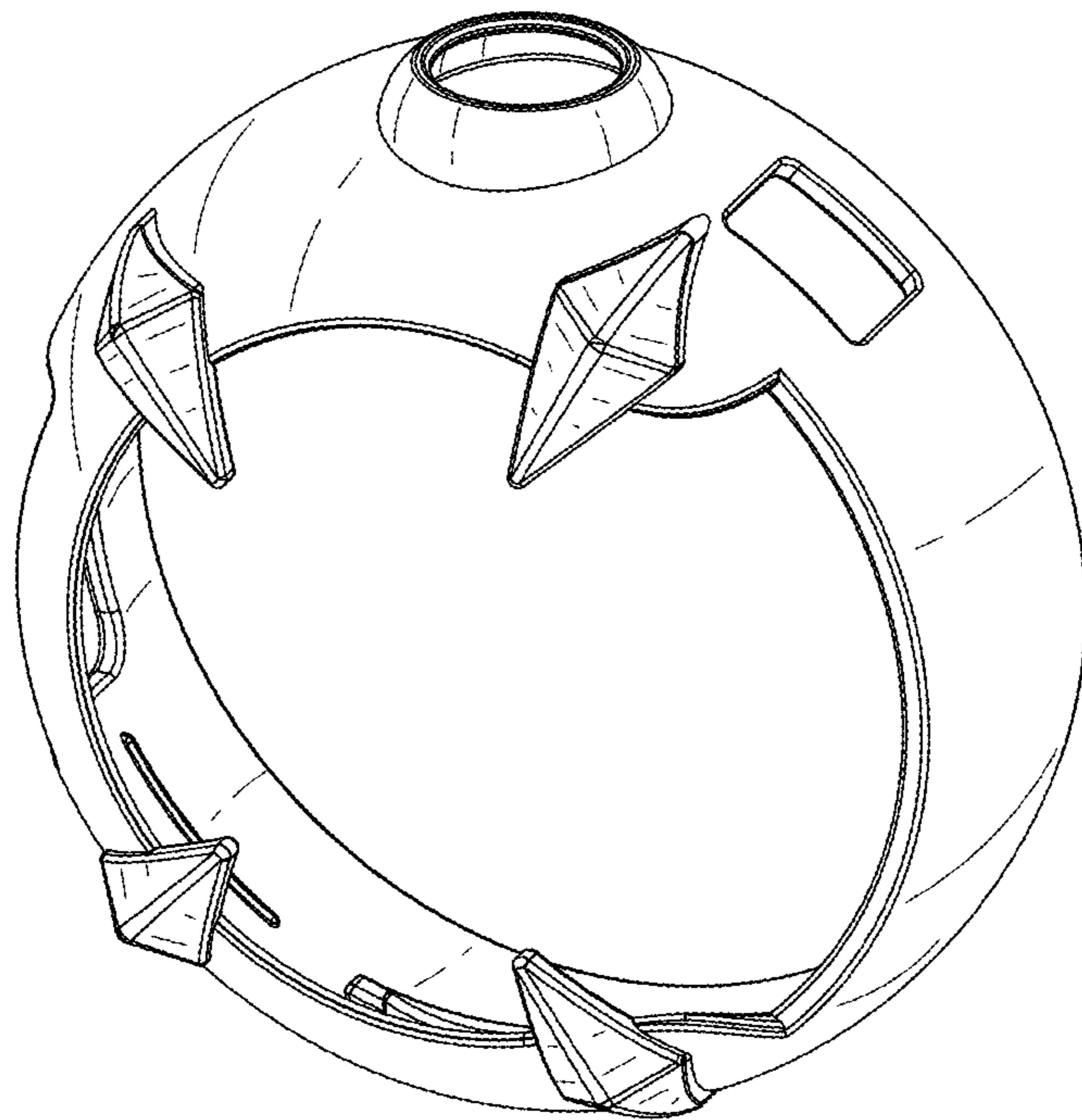


FIG. 2

FIG. 3

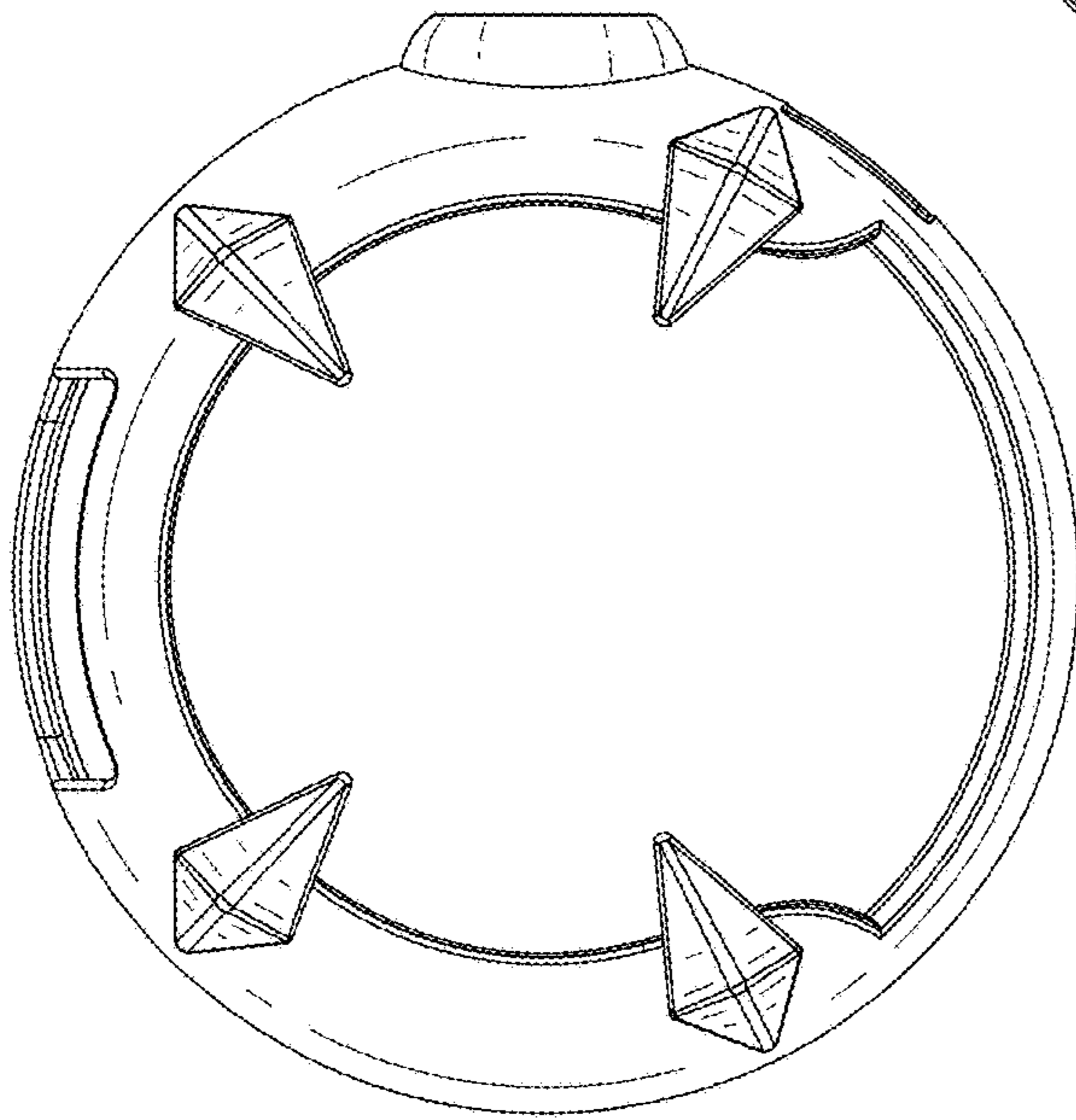
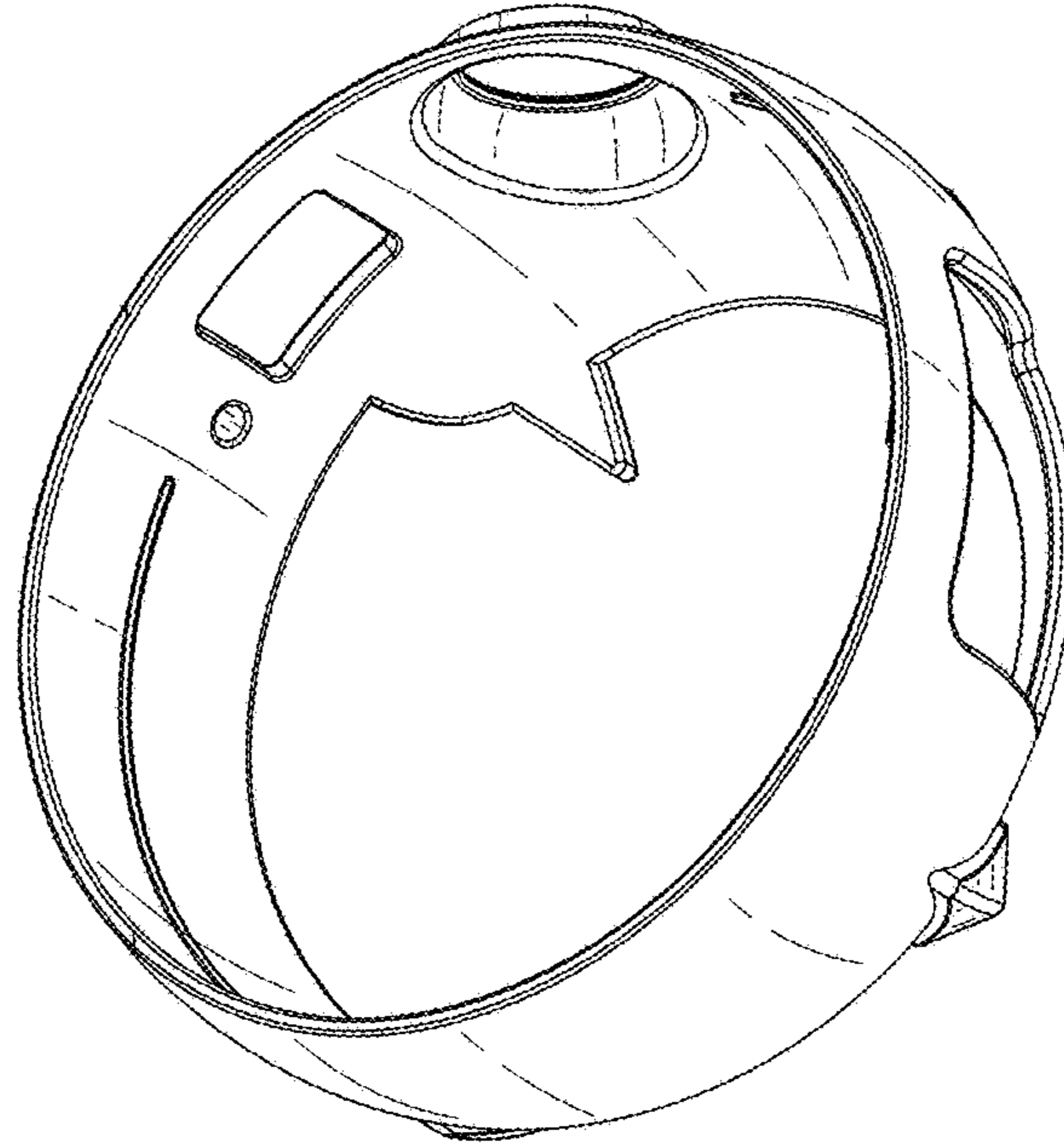
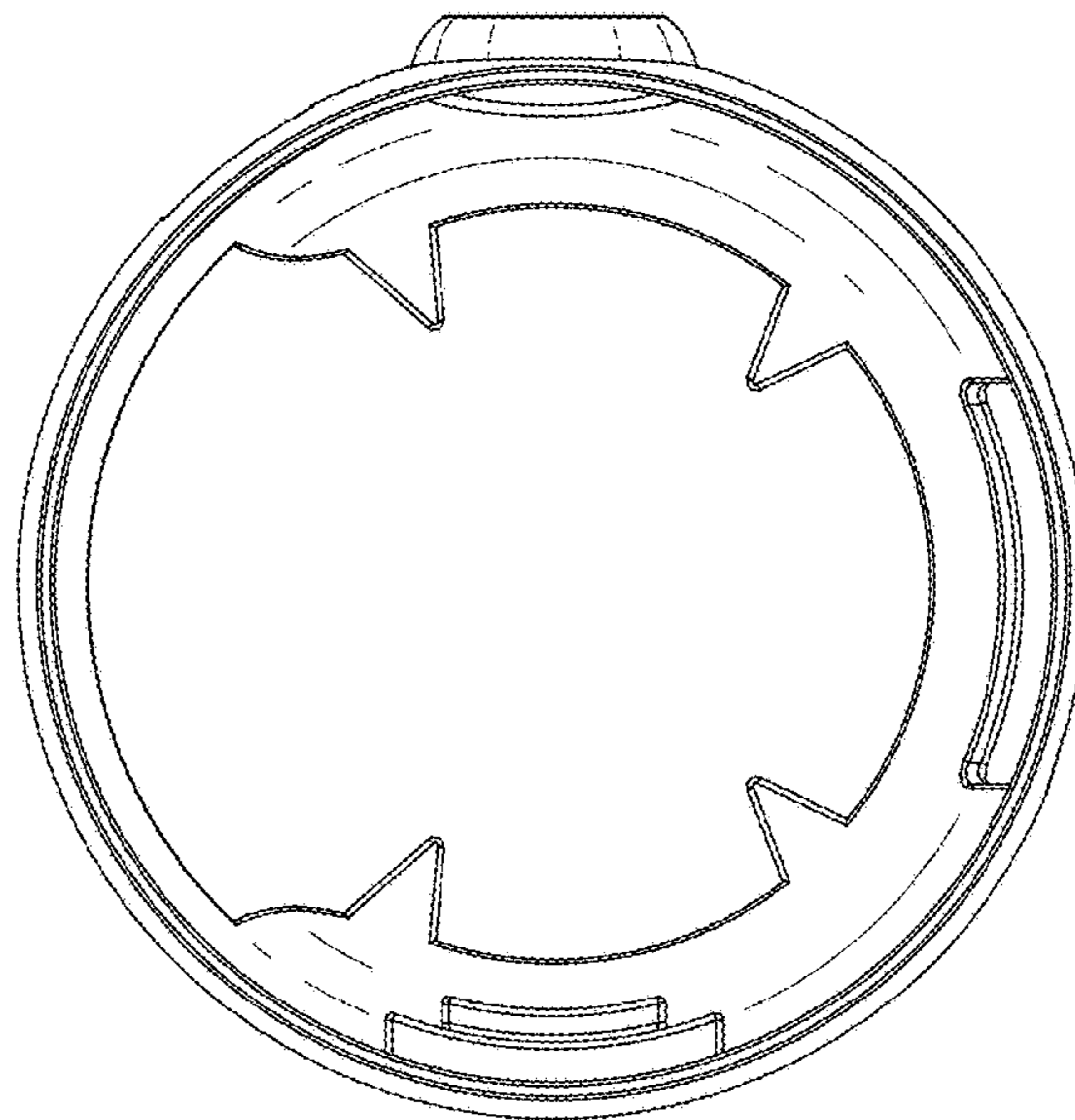


FIG. 4

FIG. 5





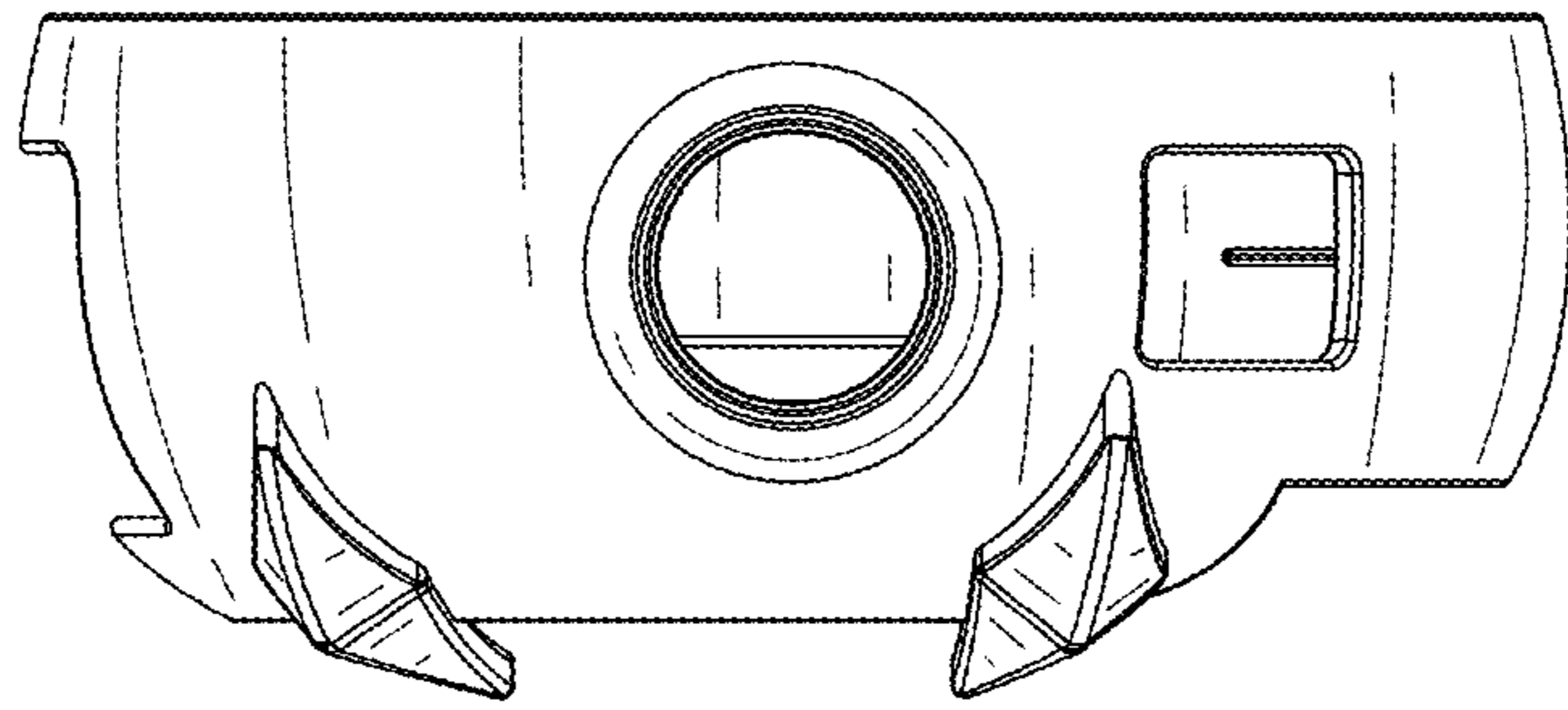


FIG. 6

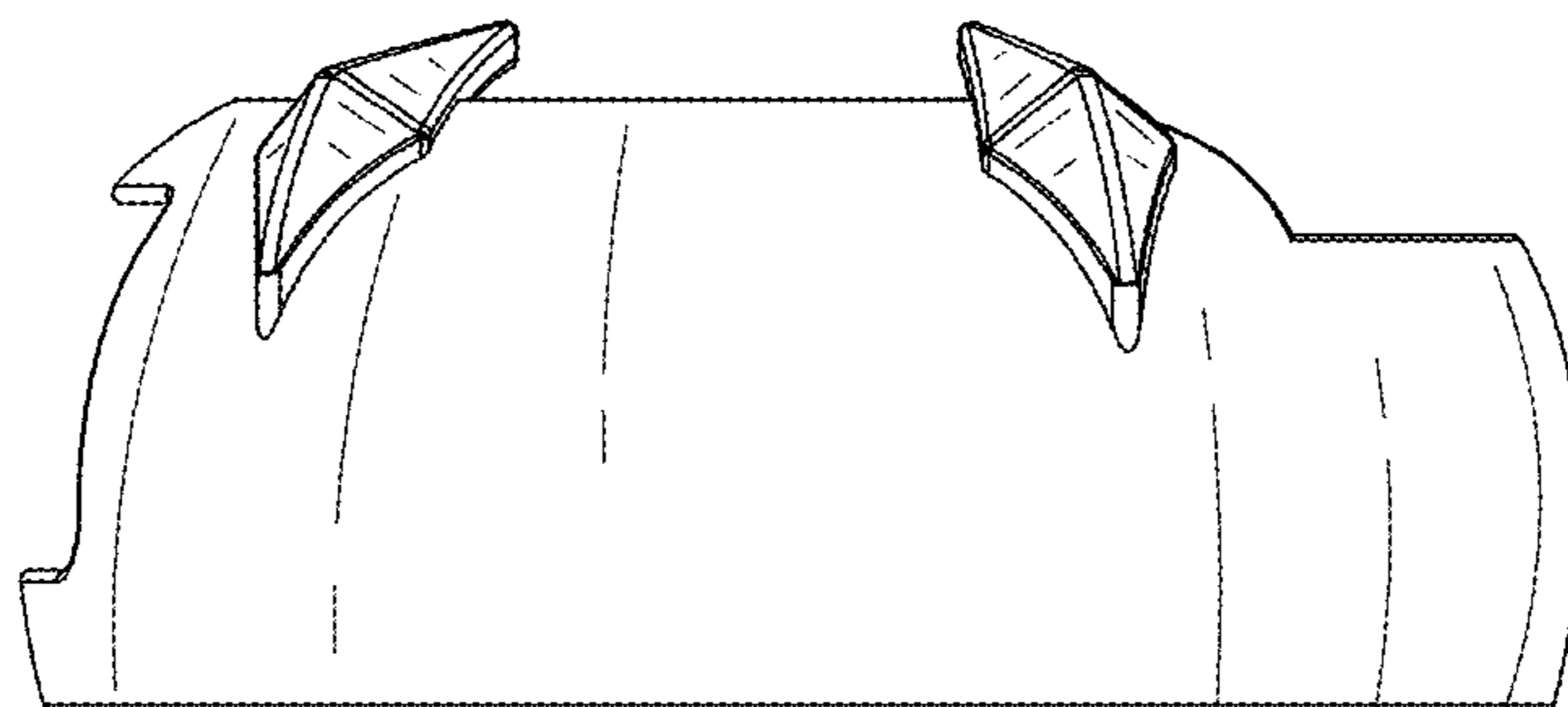


FIG. 7

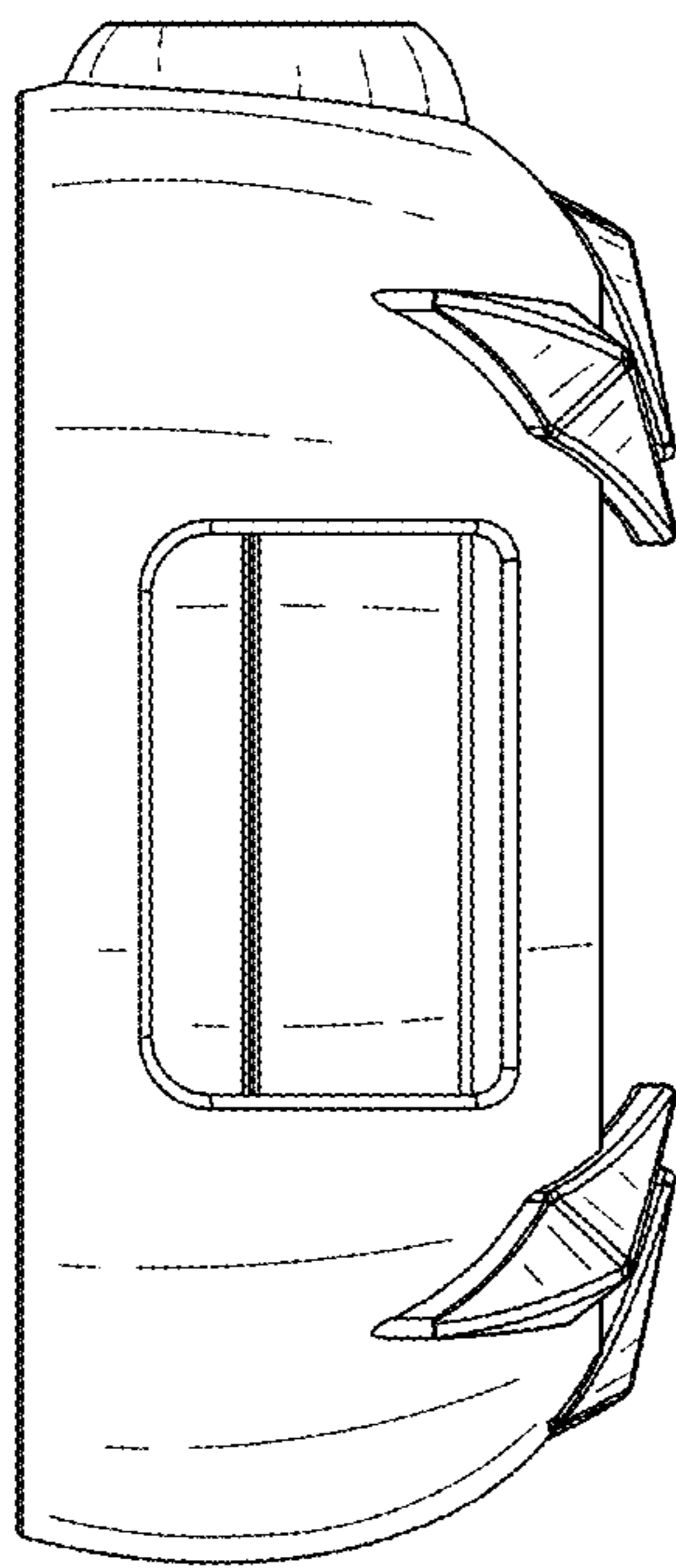


FIG. 8

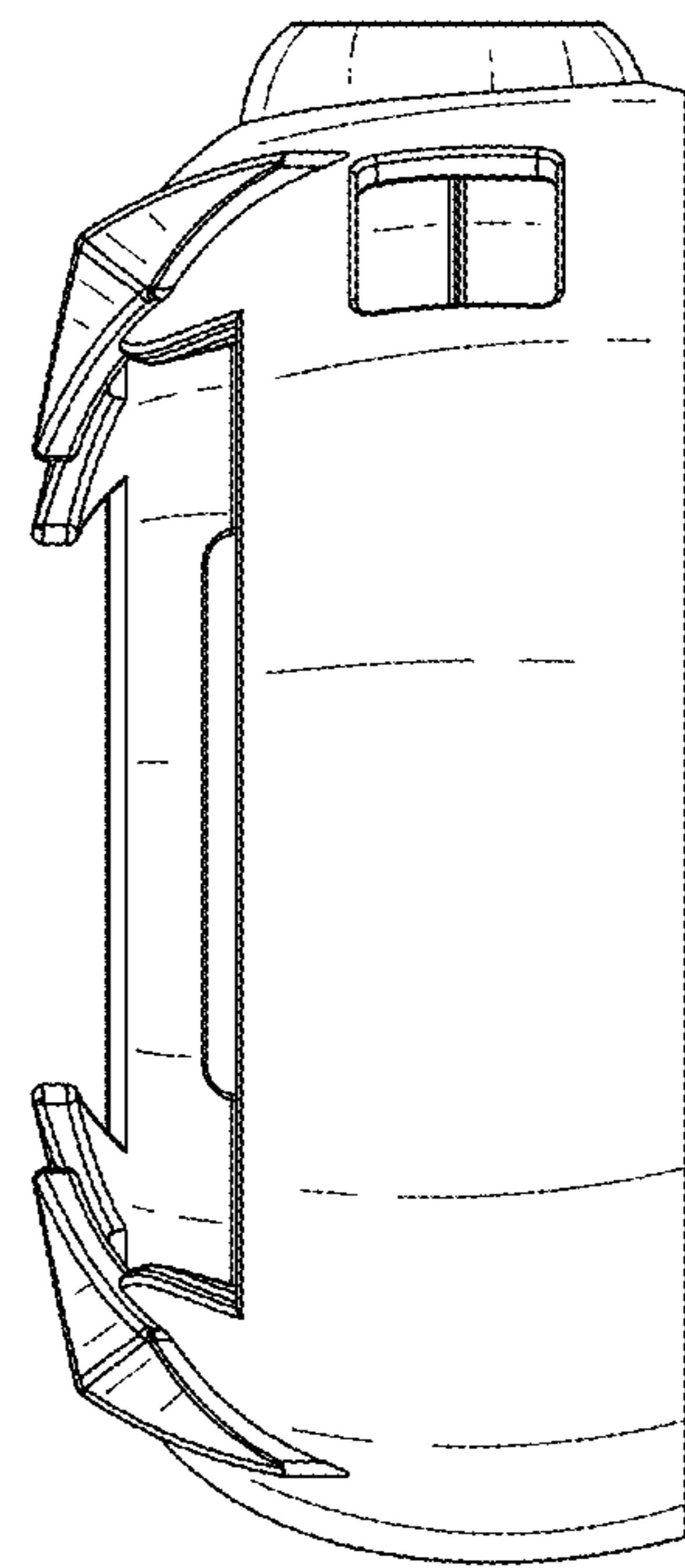


FIG. 9