



US00D784837S

(12) **United States Design Patent**
Kuramoto et al.

(10) **Patent No.:** **US D784,837 S**

(45) **Date of Patent:** **** Apr. 25, 2017**

(54) **COVER FOR WATCH-SHAPED TOY**

(71) Applicant: **BANDAI CO., LTD.**, Tokyo (JP)

(72) Inventors: **Yukiko Kuramoto**, Tokyo (JP);
Nakayuki Sato, Tokyo (JP)

(73) Assignee: **BANDAI CO., LTD.**, Tokyo (JP)

(**) Term: **15 Years**

(21) Appl. No.: **29/556,591**

(22) Filed: **Mar. 1, 2016**

(30) **Foreign Application Priority Data**

Sep. 2, 2015 (JP) 2015-019400

(51) **LOC (10) Cl.** **10-07**

(52) **U.S. Cl.**
USPC **D10/132**

(58) **Field of Classification Search**
USPC D10/30-39, 1-29
CPC G04B 19/20; G04B 19/14; G04B 19/18;
G04B 37/0008; G04B 37/0058; G04B
37/116; G04B 37/1486; G04B 45/0069;
A44C 5/14
See application file for complete search history.

(56) **References Cited**

U.S. PATENT DOCUMENTS

D150,129 S * 7/1948 Geduldig D10/32
4,396,296 A * 8/1983 Stodden G04B 37/1486
368/101
5,005,161 A * 4/1991 Boilen G04B 47/046
368/295
D386,692 S * 11/1997 Kume D10/30
D389,750 S * 1/1998 Houlihan D10/30

D417,236 S * 11/1999 Burrus D10/31
D434,334 S * 11/2000 Wunderman D10/30
D472,837 S * 4/2003 Moritz D10/128
D473,145 S * 4/2003 Chang D10/2
D498,674 S * 11/2004 Smouha D6/661.3
D507,189 S * 7/2005 Moritz D10/30
D717,683 S * 11/2014 Grinberg D10/132
9,202,090 B2 * 12/2015 Matsui G06K 5/00
D758,504 S * 6/2016 Shimoda D21/531

FOREIGN PATENT DOCUMENTS

IT WO 2005047989 A2 * 5/2005 G04B 19/18

* cited by examiner

Primary Examiner — Sheryl Lane

Assistant Examiner — Samantha Wood

(74) *Attorney, Agent, or Firm* — Rabin & Berdo, P.C.

(57) **CLAIM**

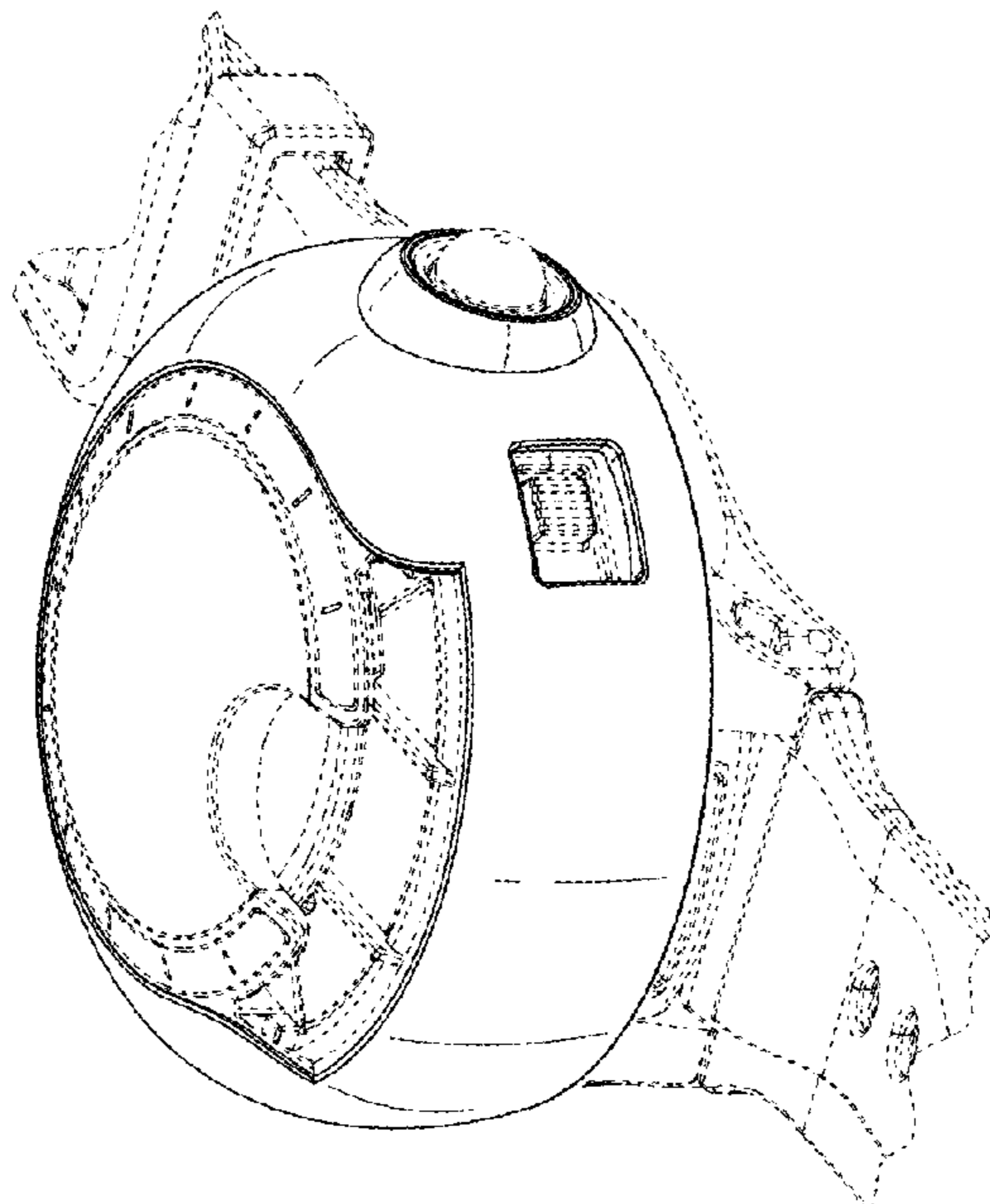
The ornamental design for a cover for a watch-shaped toy, as shown and described.

DESCRIPTION

FIG. 1 is an environmental perspective view of a cover for a watch-shaped toy;
FIG. 2 is a front perspective view of the cover;
FIG. 3 is a rear perspective view thereof;
FIG. 4 is a front view thereof;
FIG. 5 is a rear view thereof;
FIG. 6 is a top view thereof;
FIG. 7 is a bottom view thereof;
FIG. 8 is a left side view thereof; and,
FIG. 9 is a right side view thereof.

The broken line showing of the watch is included for the purpose of illustrating environmental structure and forms no part of the claimed design.

1 Claim, 4 Drawing Sheets



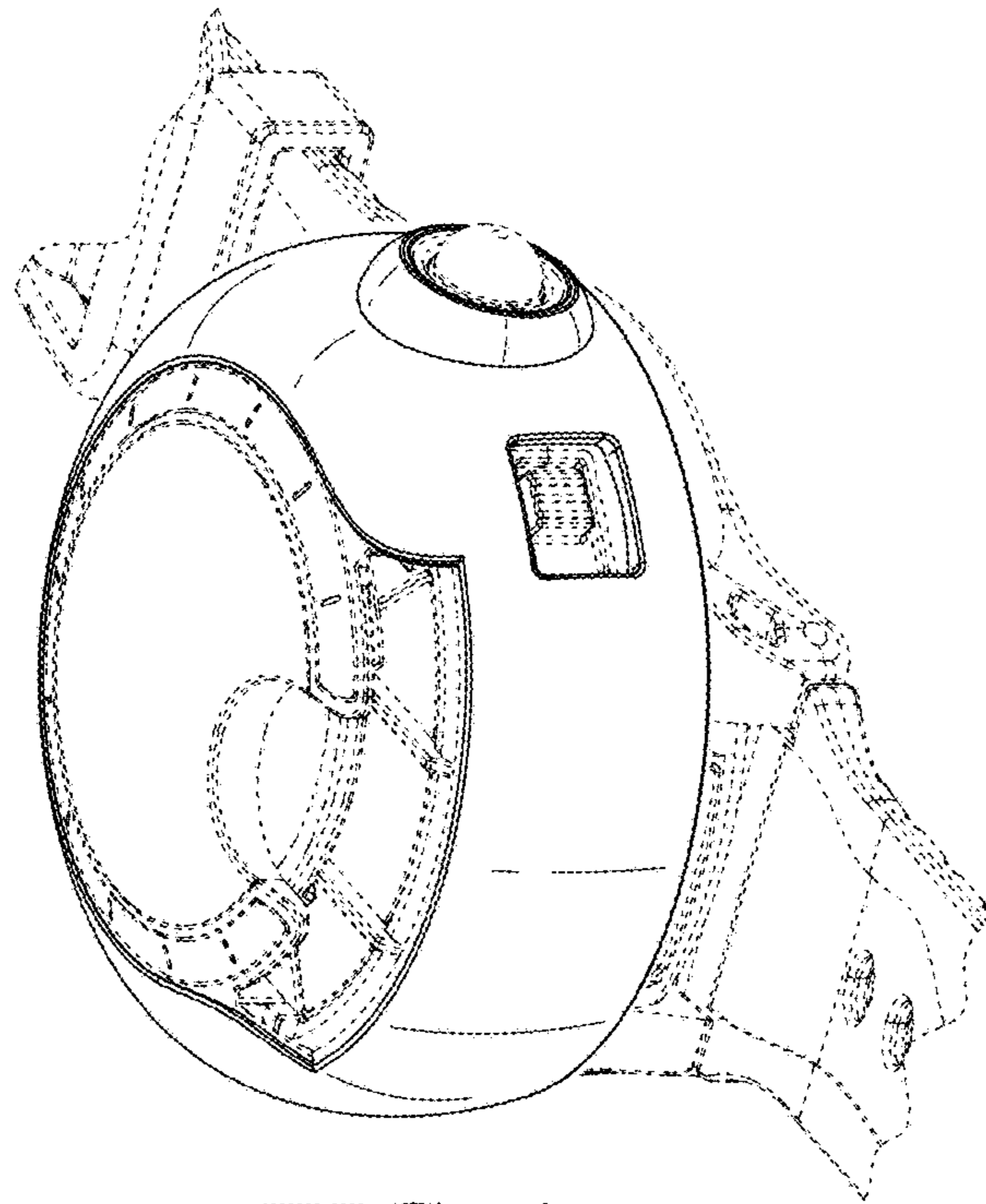


FIG. 1

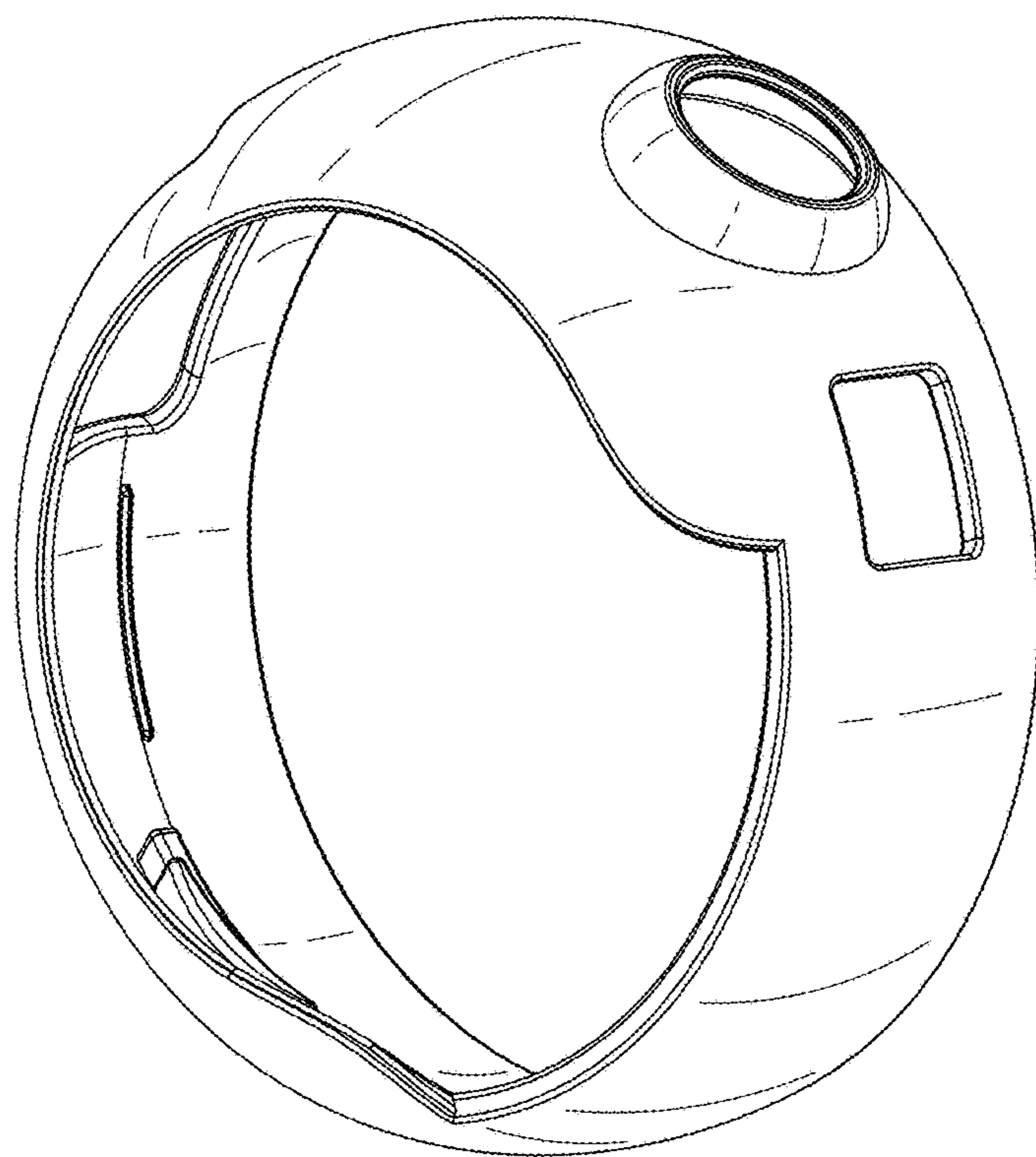


FIG. 2

FIG. 3

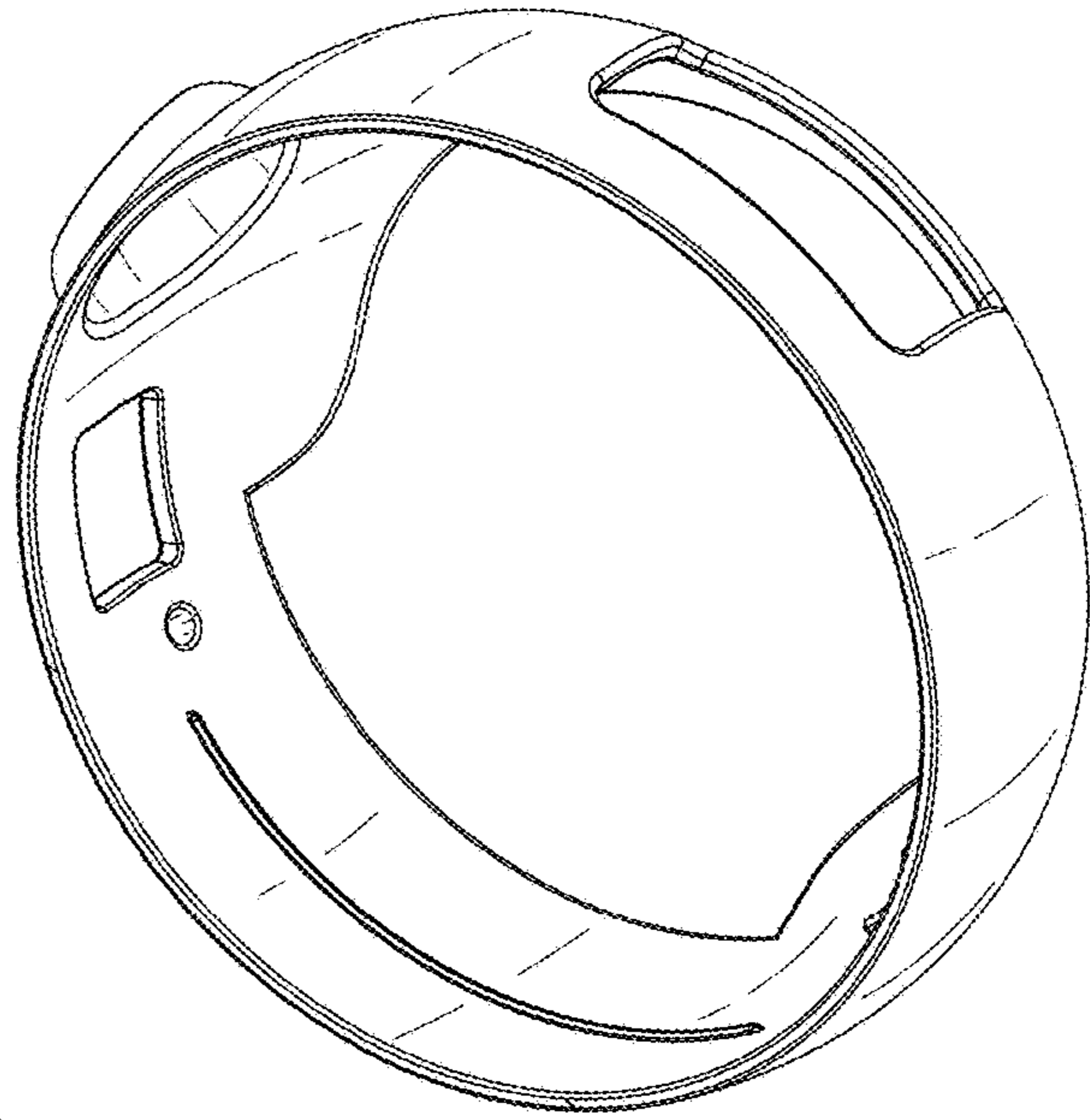


FIG. 4

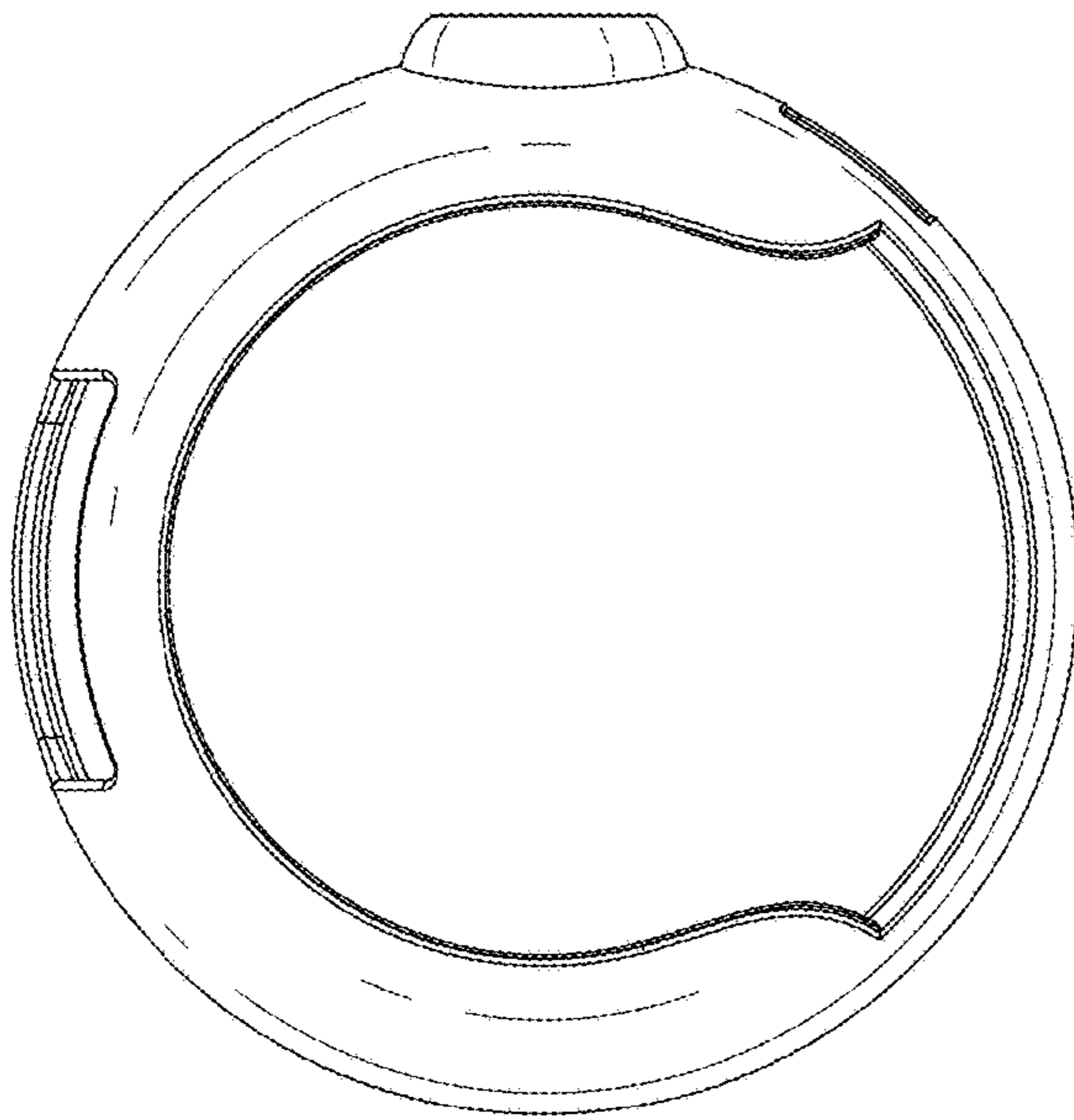
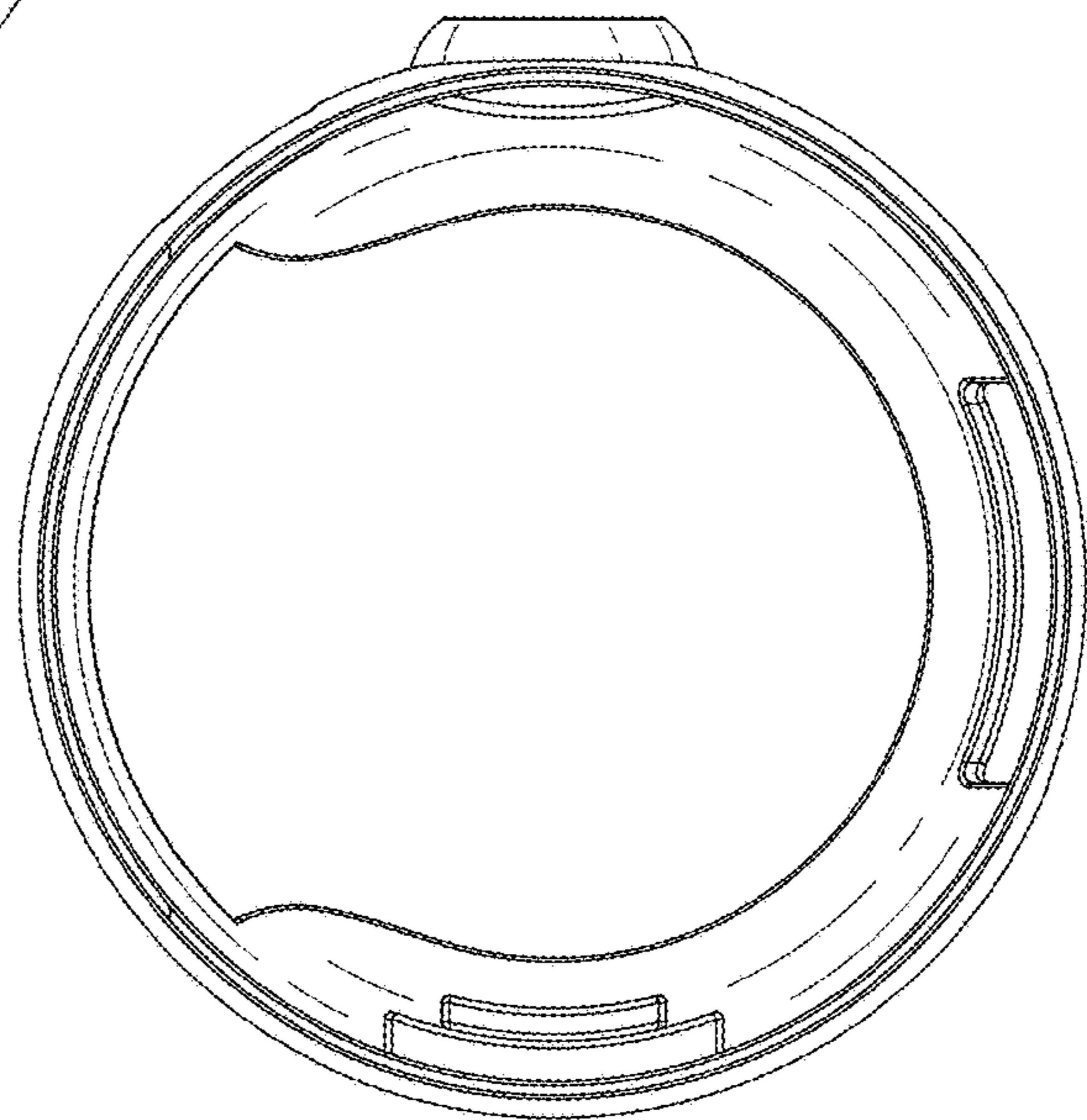


FIG. 5



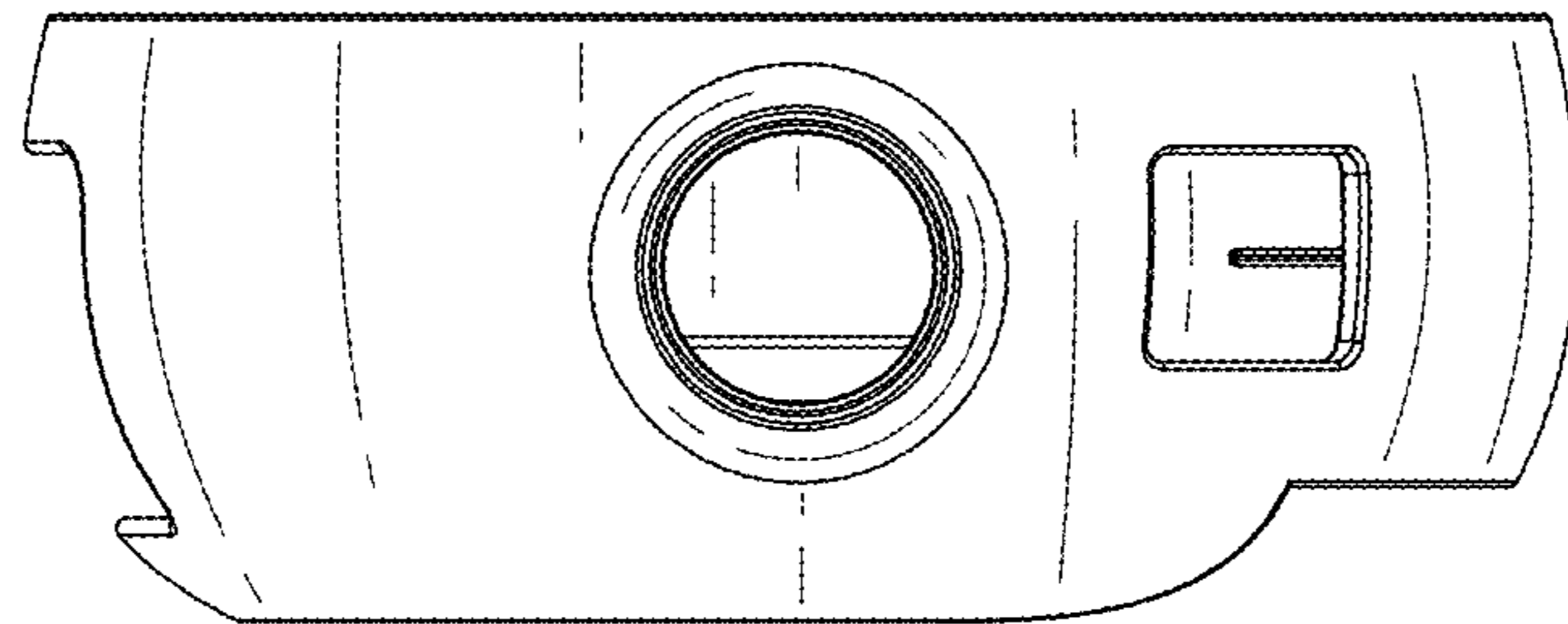


FIG. 6

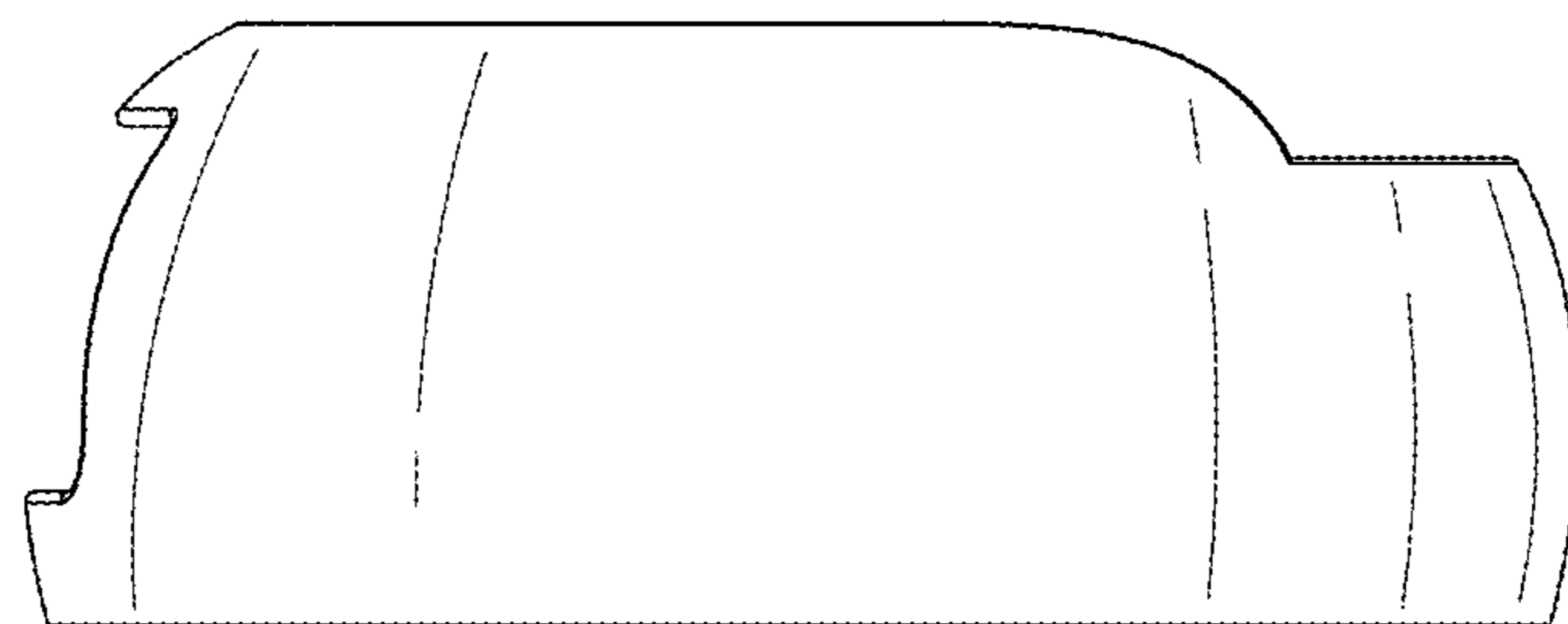


FIG. 7

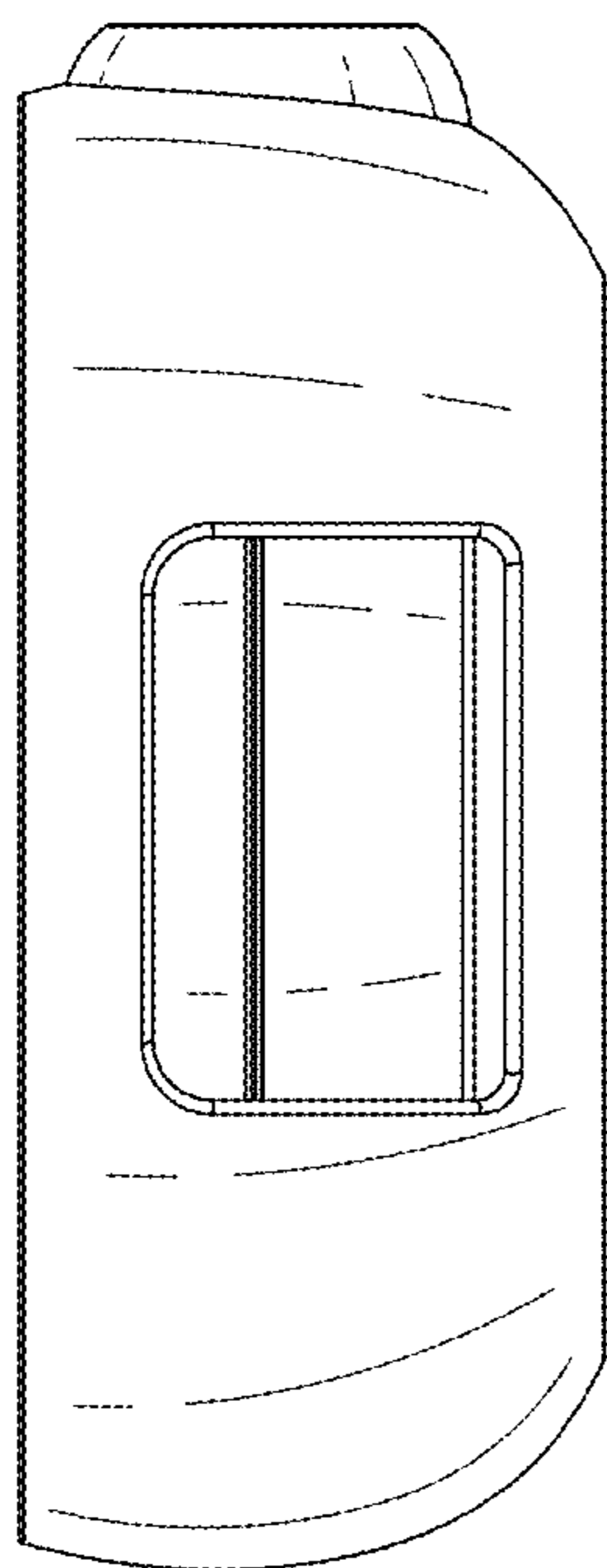


FIG. 8

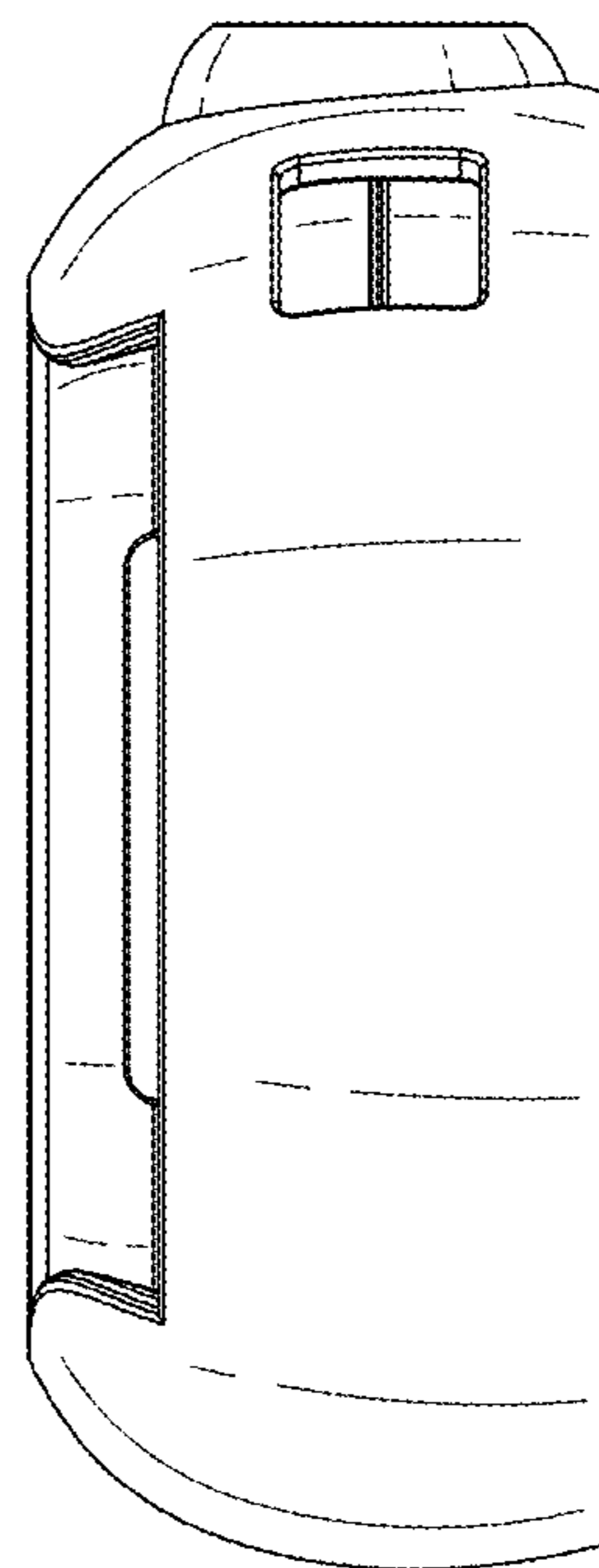


FIG. 9