



US00D784834S

(12) **United States Design Patent** (10) **Patent No.:** **US D784,834 S**
John et al. (45) **Date of Patent:** **** Apr. 25, 2017**

- (54) **COVER FOR PHOTODSENSOR AND ELECTRIC METER**
- (71) Applicant: **GE Lighting Solutions, LLC**,
Cleveland, OH (US)
- (72) Inventors: **Ashbeel Younas John**, Montreal (CA);
Justin E Foster, East Cleveland, OH (US);
Louis Bacon, Lachine (CA);
Youcef Chaoua, Lachine (CA); **Victor Isac**, Lachine (CA)
- (73) Assignee: **GE Lightning Solutions, LLC**,
Cleveland, OH (US)
- (**) Term: **15 Years**
- (21) Appl. No.: **29/548,803**
- (22) Filed: **Dec. 16, 2015**
- (51) **LOC (10) Cl.** **10-04**
- (52) **U.S. Cl.**
USPC **D10/99**
- (58) **Field of Classification Search**
USPC D10/99, 100, 102.103, 104.1,
D10/106.1-106.9, 116.1, 118, 118.2,
D10/119.1, 121, 125, 126, 132; D13/184
CPC G08B 15/00; G08B 17/06; G08B 17/10;
G08B 17/103; G08B 17/107; G08B
21/12; G08B 21/22; H02B 1/26
See application file for complete search history.

(56) **References Cited**

U.S. PATENT DOCUMENTS

- 1,932,044 A * 10/1933 Mylius G01R 11/04
220/293
- 2,030,094 A * 2/1936 Bradshaw G01R 11/04
361/666
- 2,313,881 A * 3/1943 Lewis G01R 11/04
220/302

- 2,461,247 A * 2/1949 Wormull B65D 39/12
215/292
- D213,466 S * 3/1969 Moran et al. D10/100
- D343,803 S * 2/1994 Ouellette D10/100
- D348,017 S * 6/1994 Poleshuk D10/96
- D354,113 S * 1/1995 Nortier D23/233
- D381,281 S * 7/1997 Miller D10/100
- D412,859 S * 8/1999 Thiel D10/103
- D429,655 S * 8/2000 Cowan D10/103
- 6,688,327 B1 * 2/2004 Baker F16K 27/12
137/375

(Continued)

Primary Examiner — George D Kirschbaum

Assistant Examiner — Joseph Kukella

(74) *Attorney, Agent, or Firm* — Wood IP LLC

(57) **CLAIM**

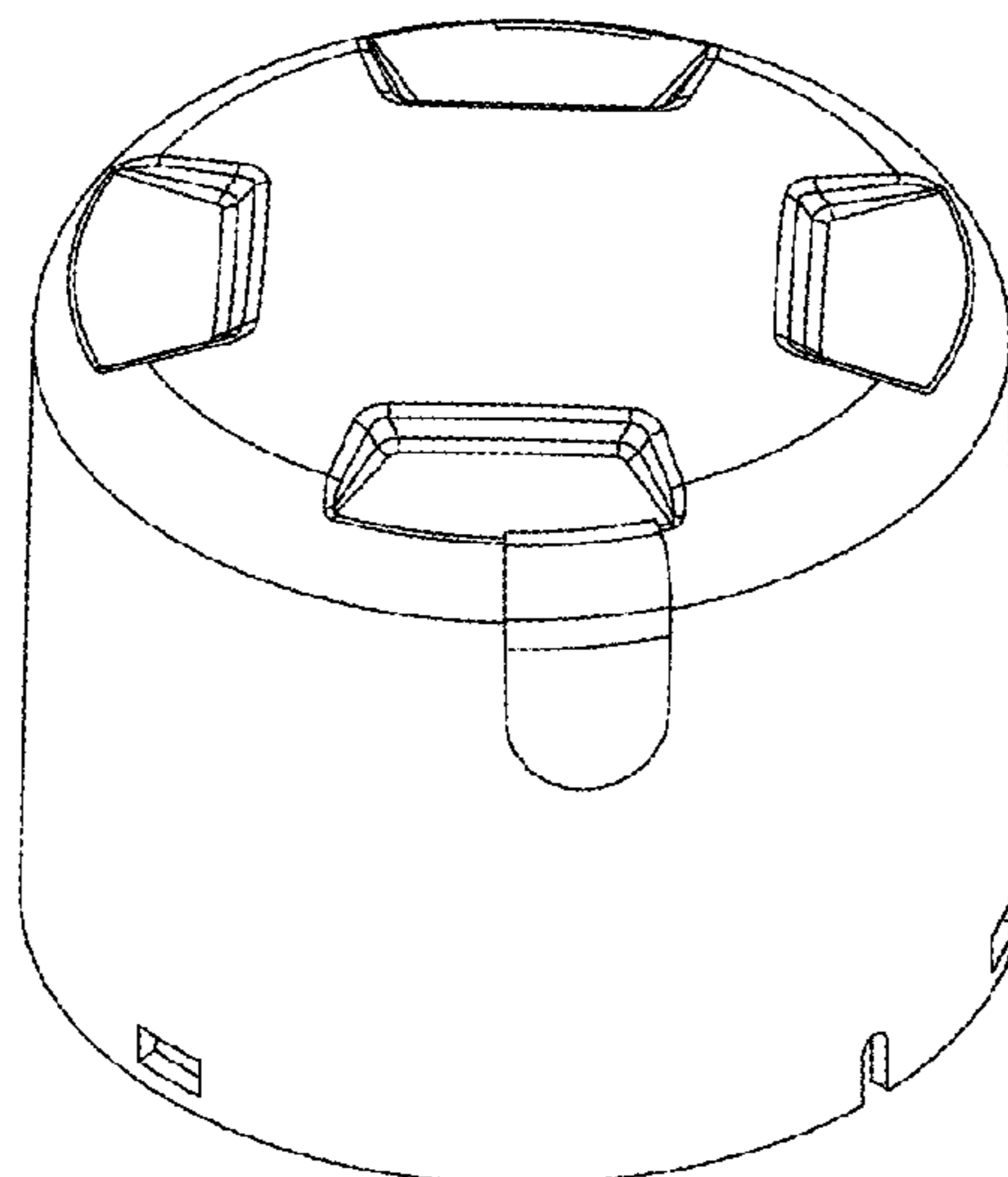
The ornamental design for a cover for photosensor and electric meter, as shown and described.

DESCRIPTION

FIG. 1 is a top view of the cover according to a first embodiment of the new design;
 FIG. 2 is a front elevational view thereof;
 FIG. 3 is a left side elevational view thereof;
 FIG. 4 is a right side elevational view thereof;
 FIG. 5 is a back elevational view thereof;
 FIG. 6 is a bottom view thereof;
 FIG. 7 is a perspective view thereof;
 FIG. 8 is a top view of the cover according to a second embodiment of the new design;
 FIG. 9 is a front elevational view thereof;
 FIG. 10 is a left side elevational view thereof;
 FIG. 11 is a right side elevational view thereof;
 FIG. 12 is a back elevational view thereof;
 FIG. 13 is a bottom view thereof; and,
 FIG. 14 is a perspective view thereof.

In the drawings, the broken lines depict environmental subject matter only and form no part of the claimed design.

1 Claim, 4 Drawing Sheets



(56)

References Cited

U.S. PATENT DOCUMENTS

D596,570 S * 7/2009 Spivey D13/133
7,821,776 B2 * 10/2010 Loy G01R 11/24
174/66

* cited by examiner

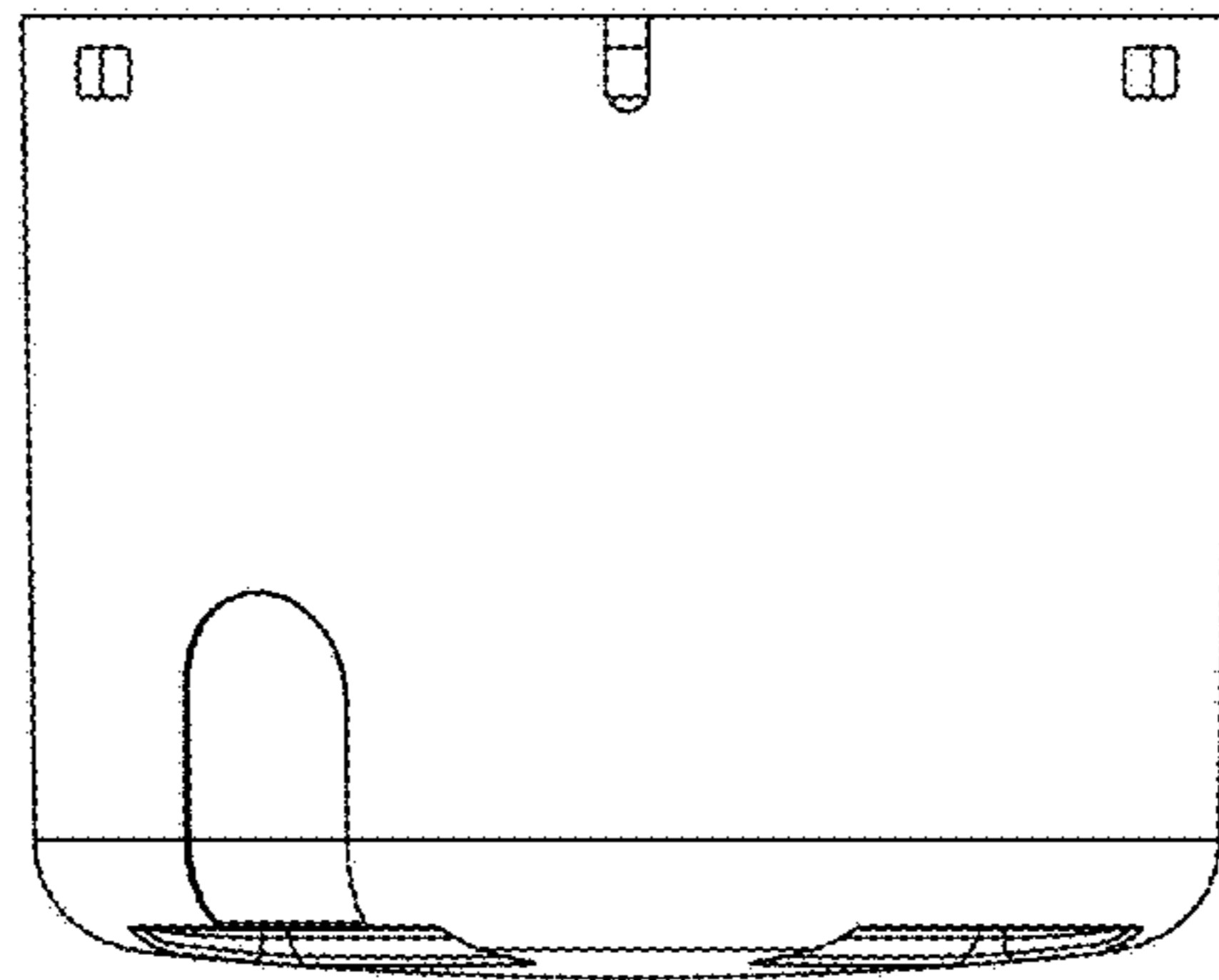


FIG. 5

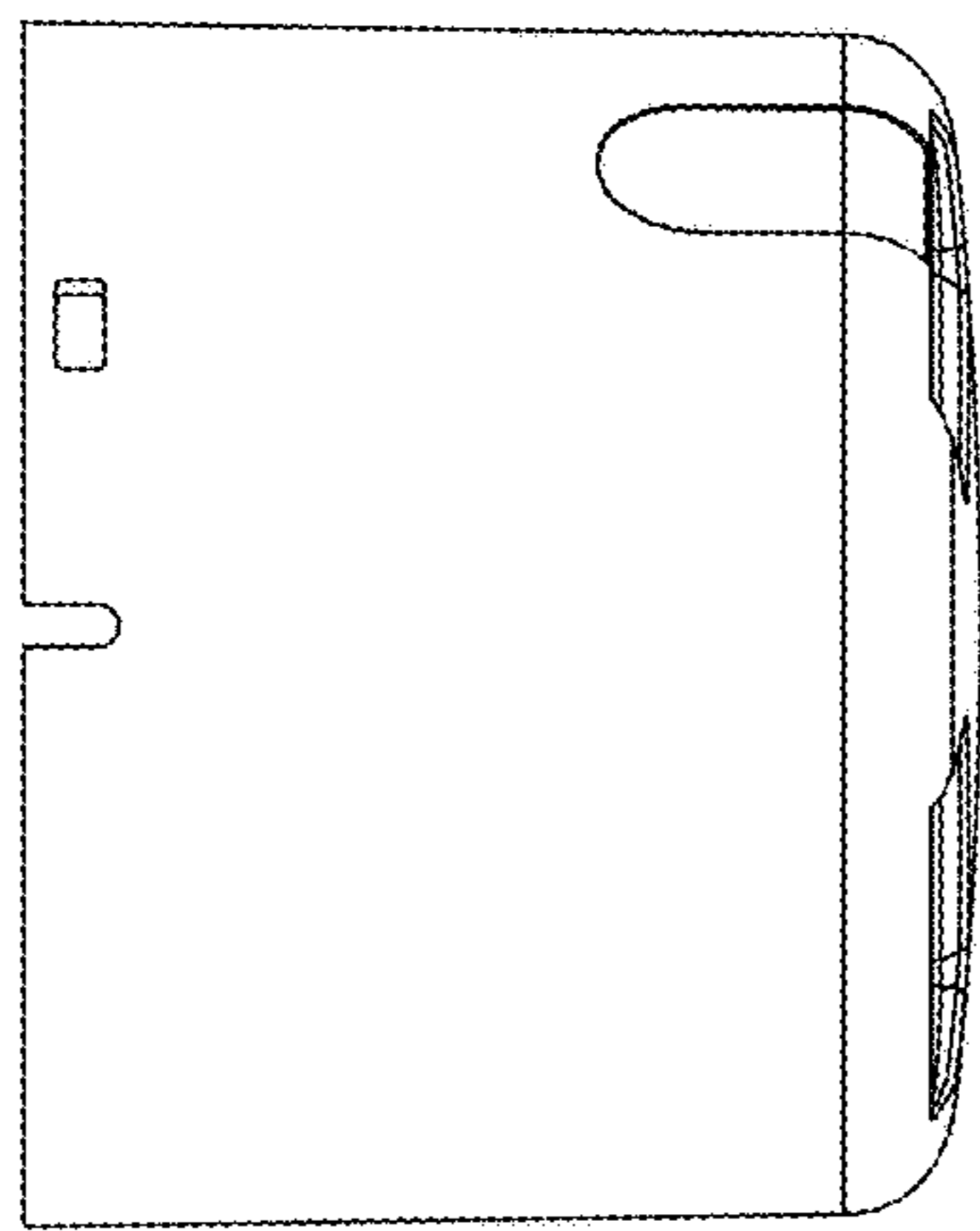


FIG. 3

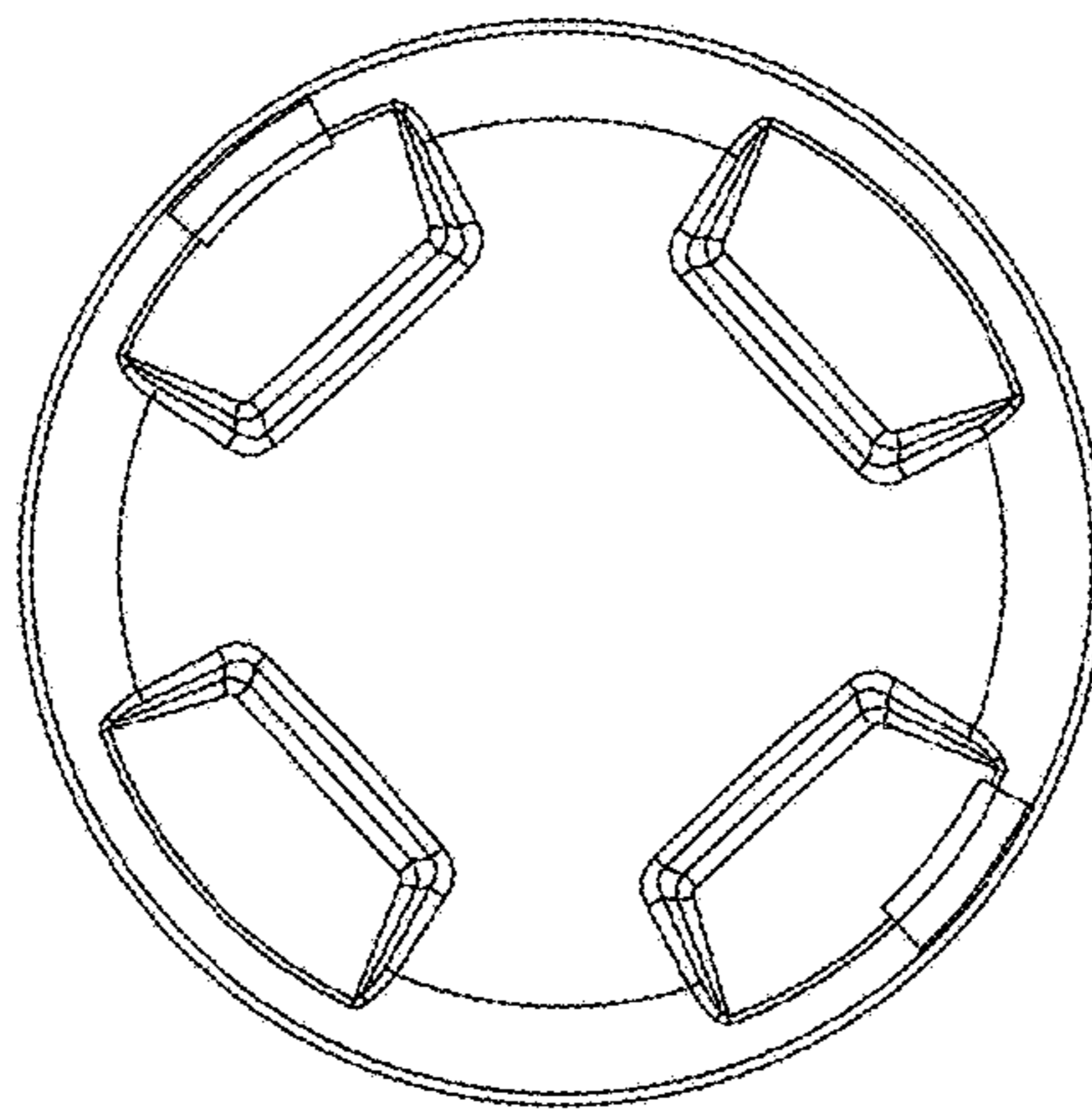


FIG. 1

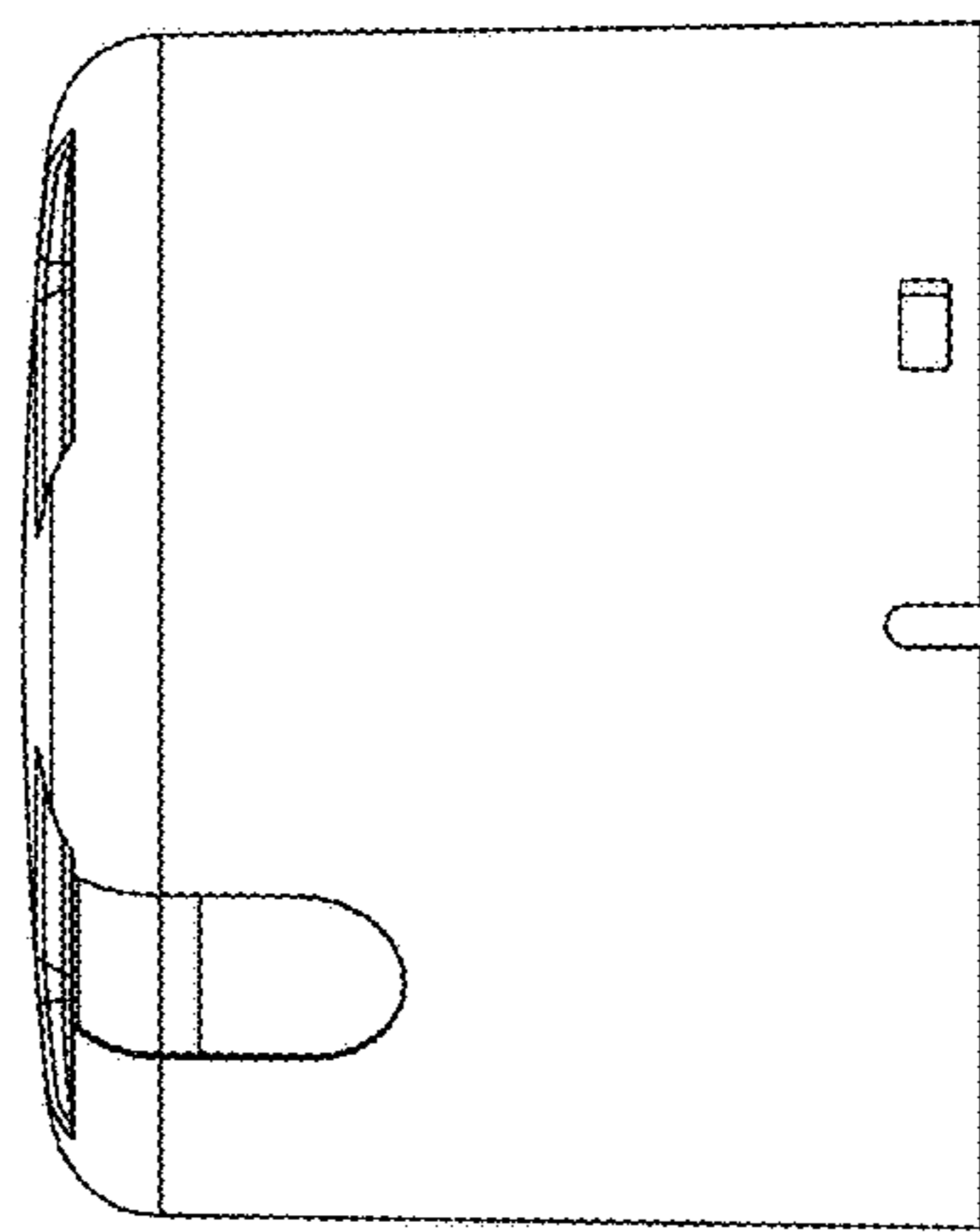


FIG. 4

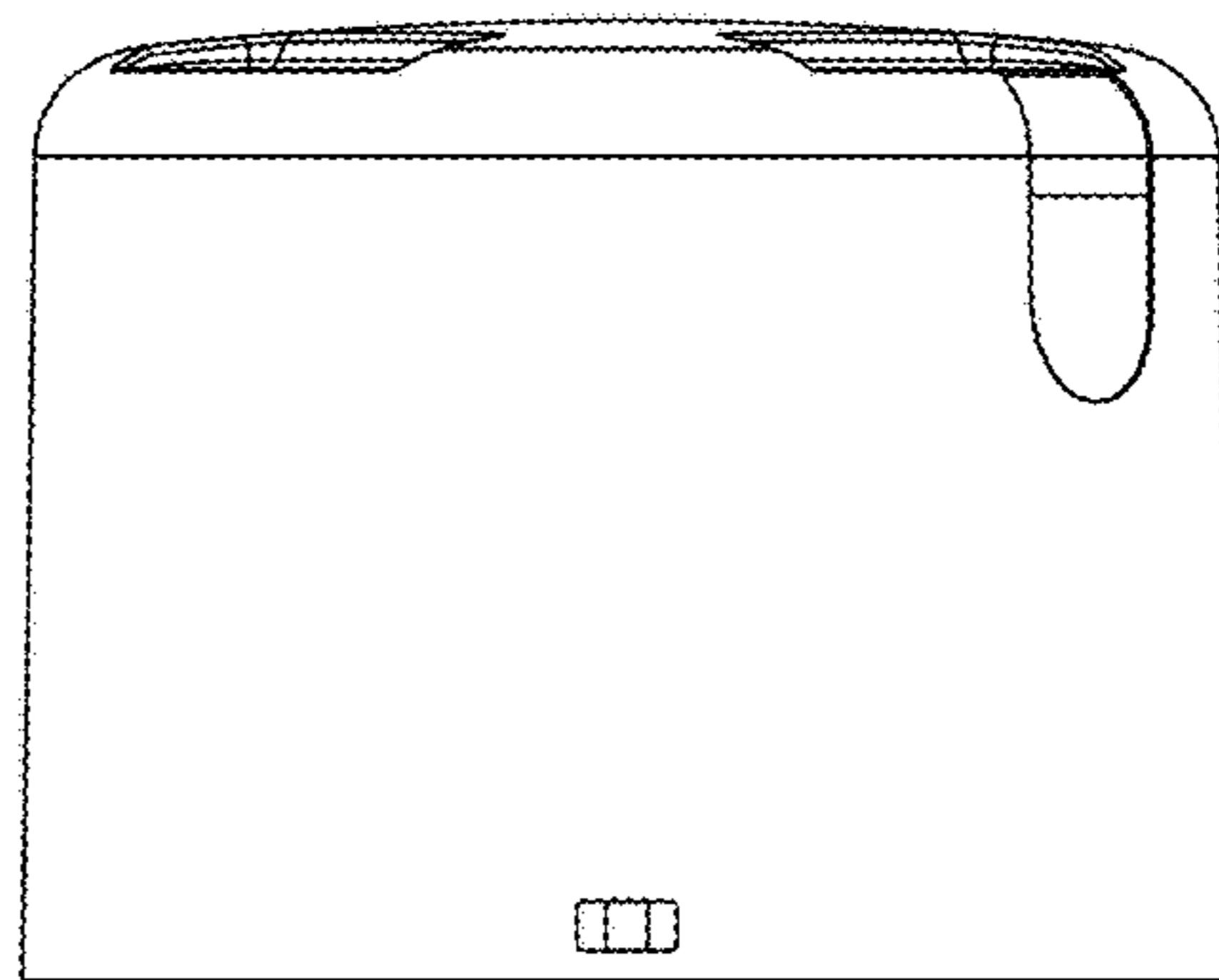


FIG. 2

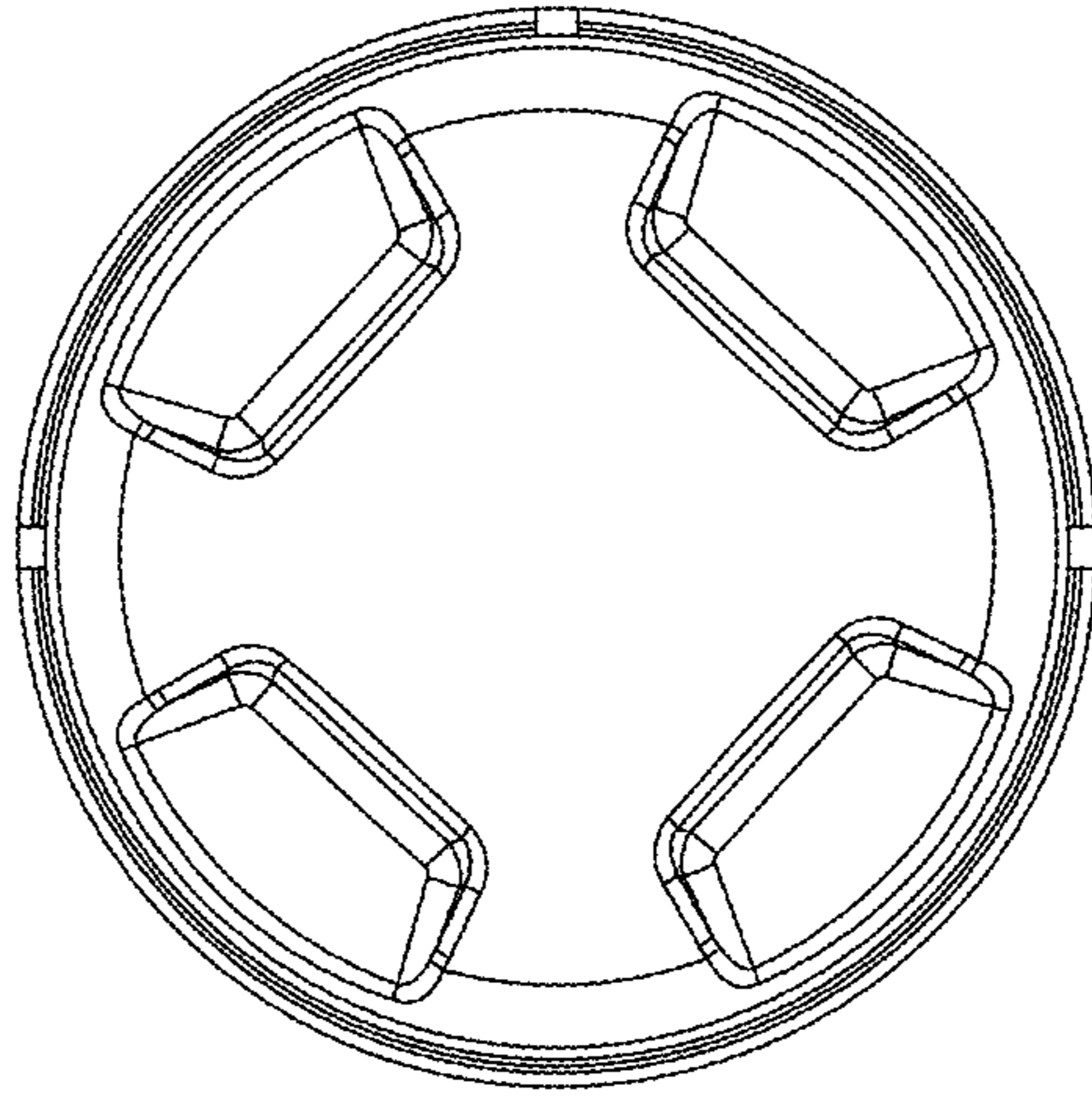


FIG. 6

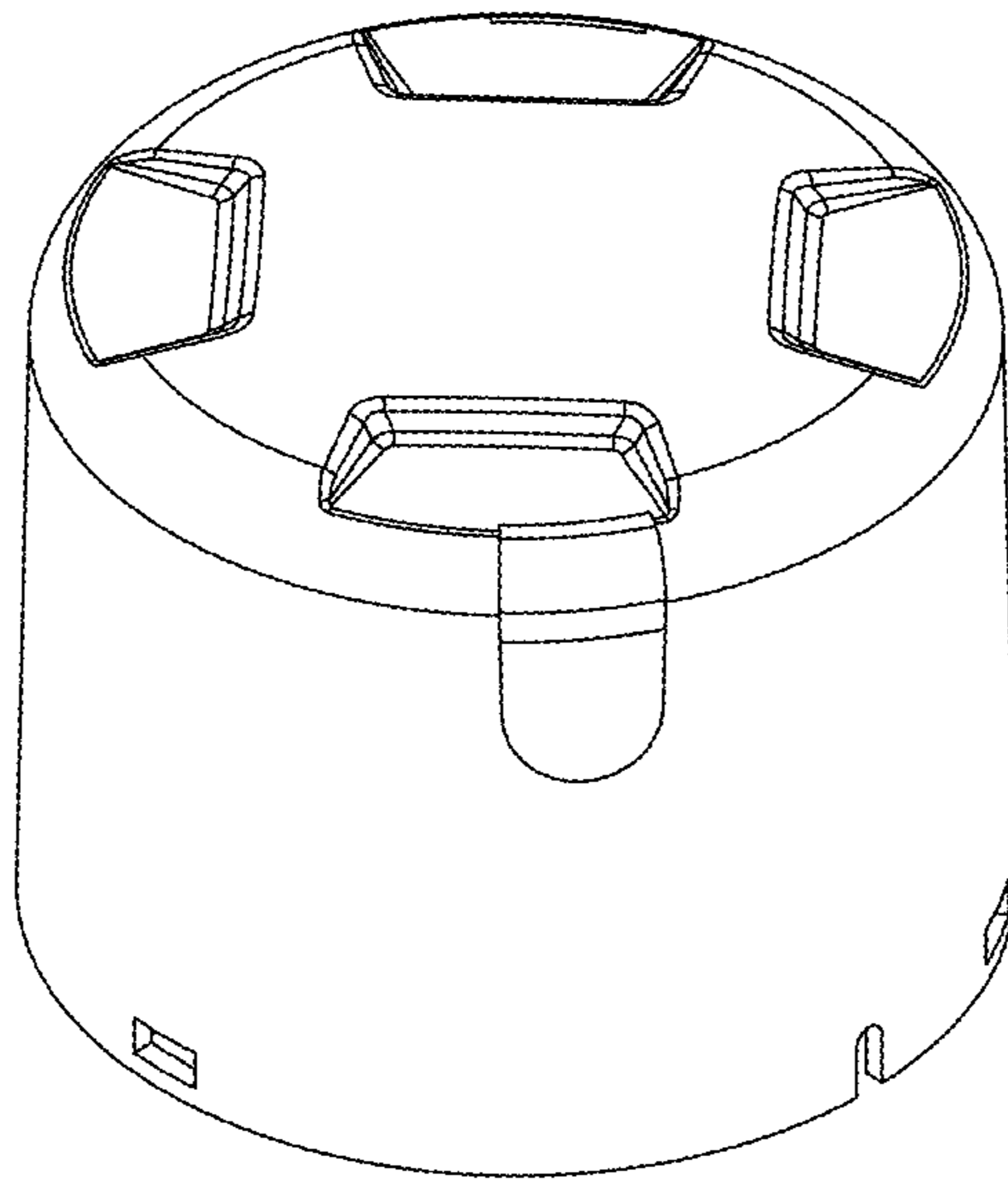


FIG. 7

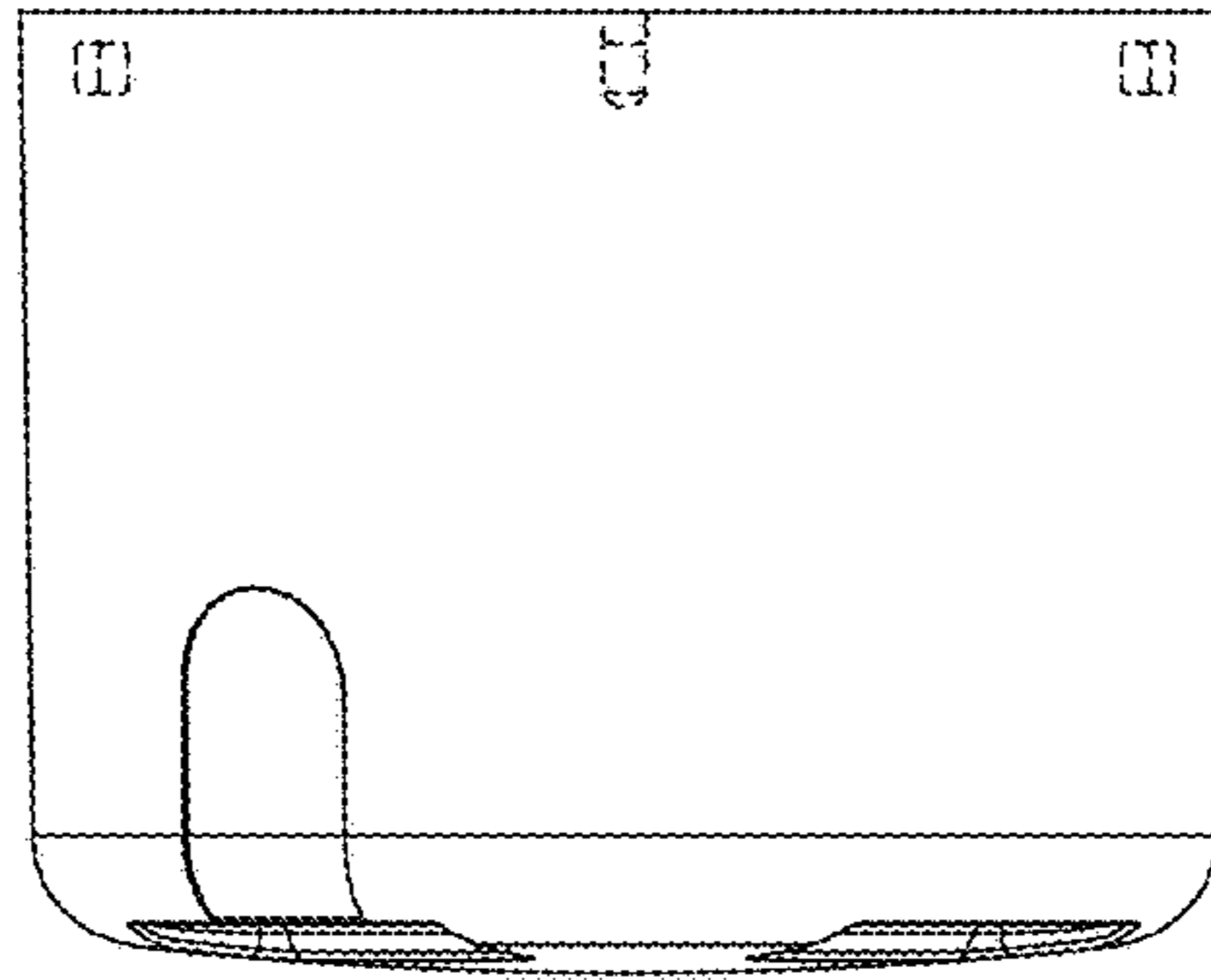


FIG. 12

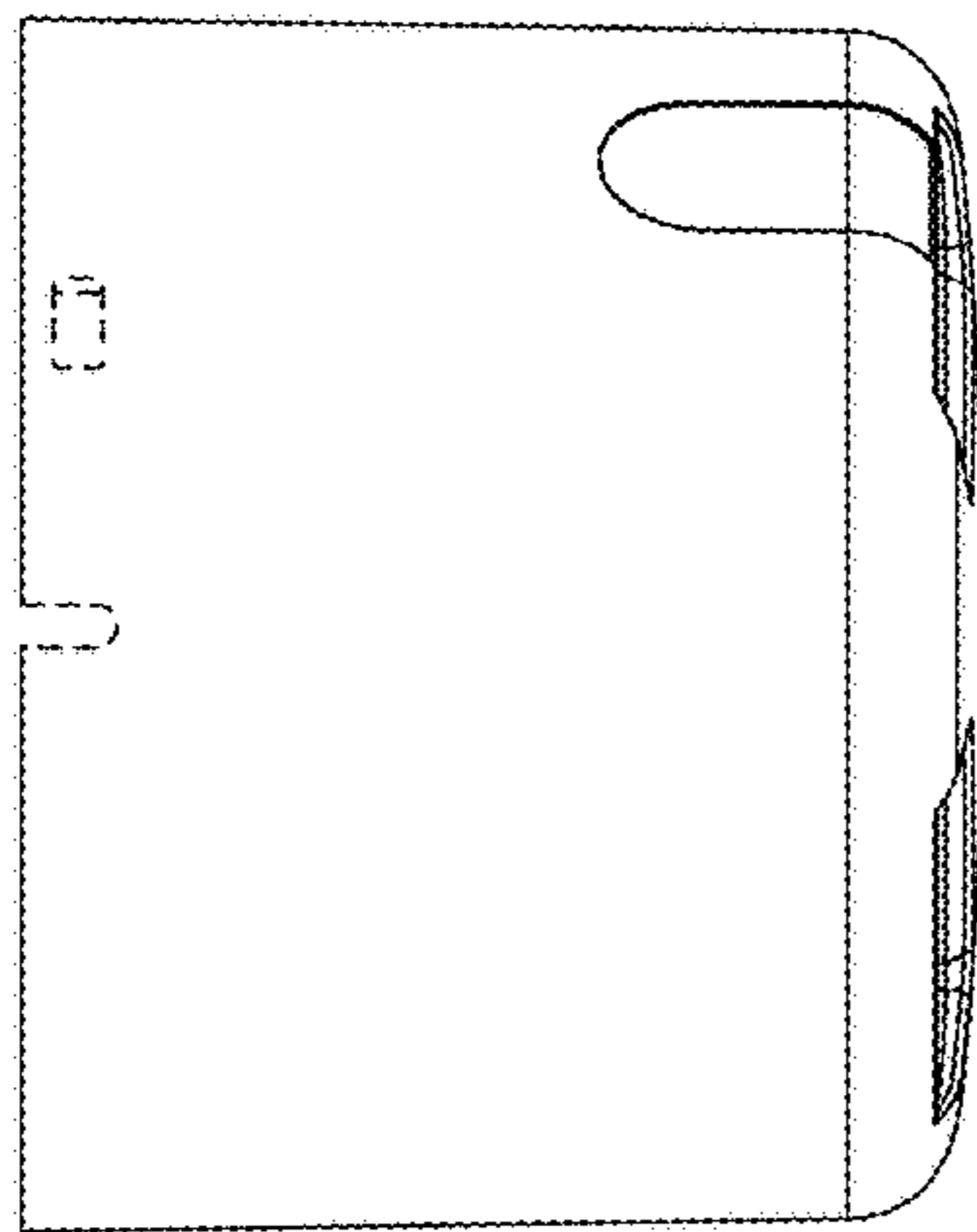


FIG. 10

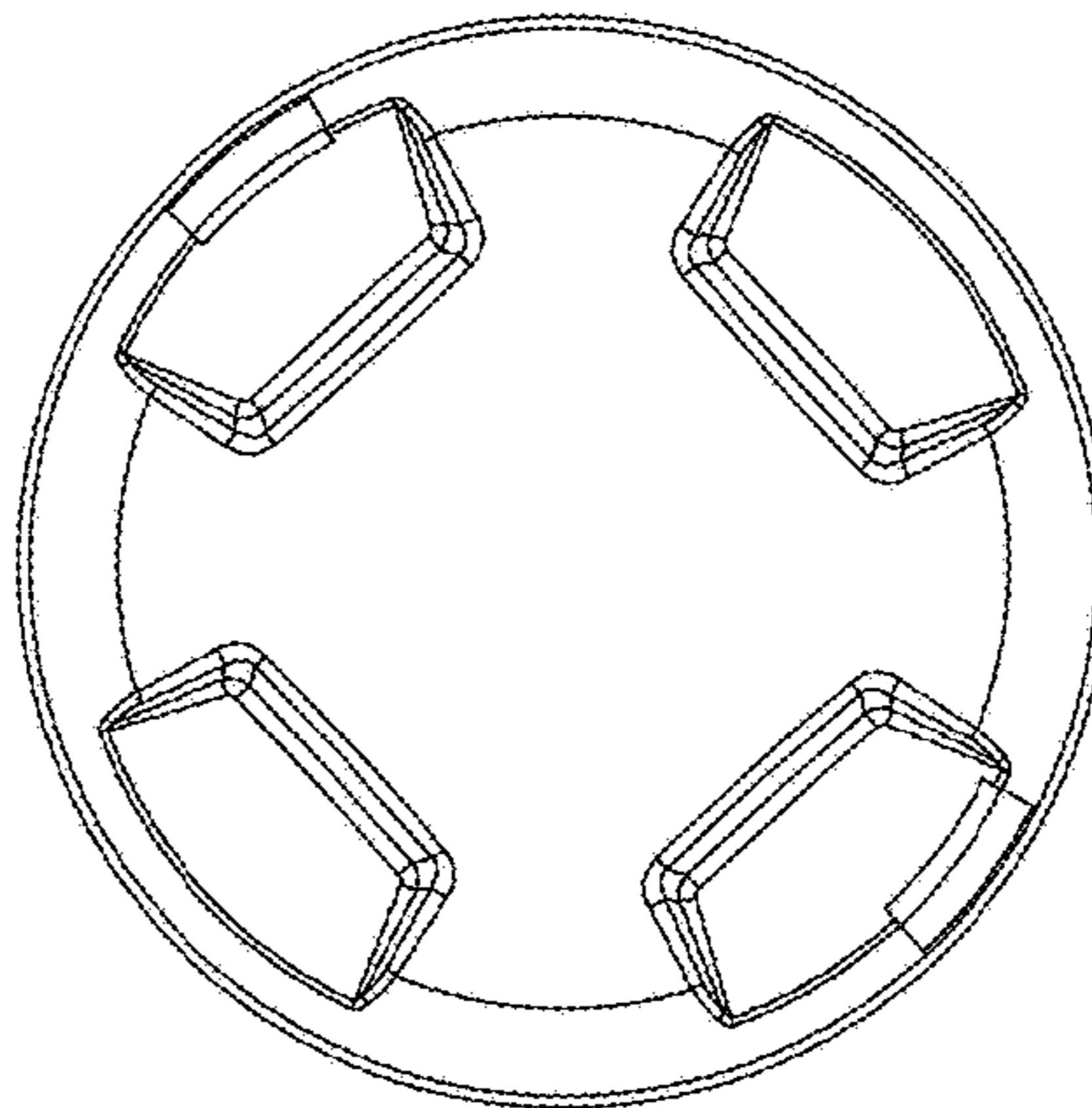


FIG. 8

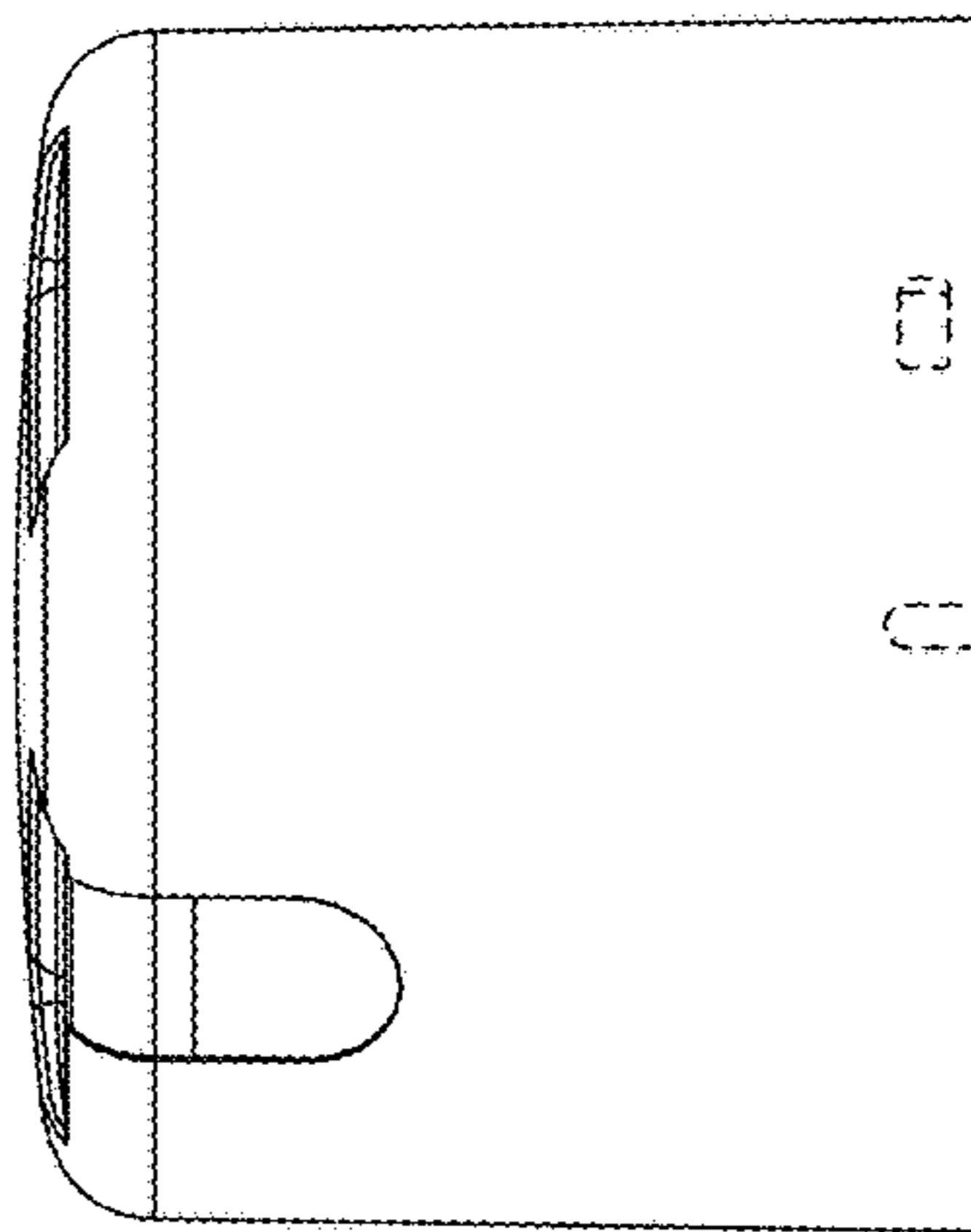


FIG. 11

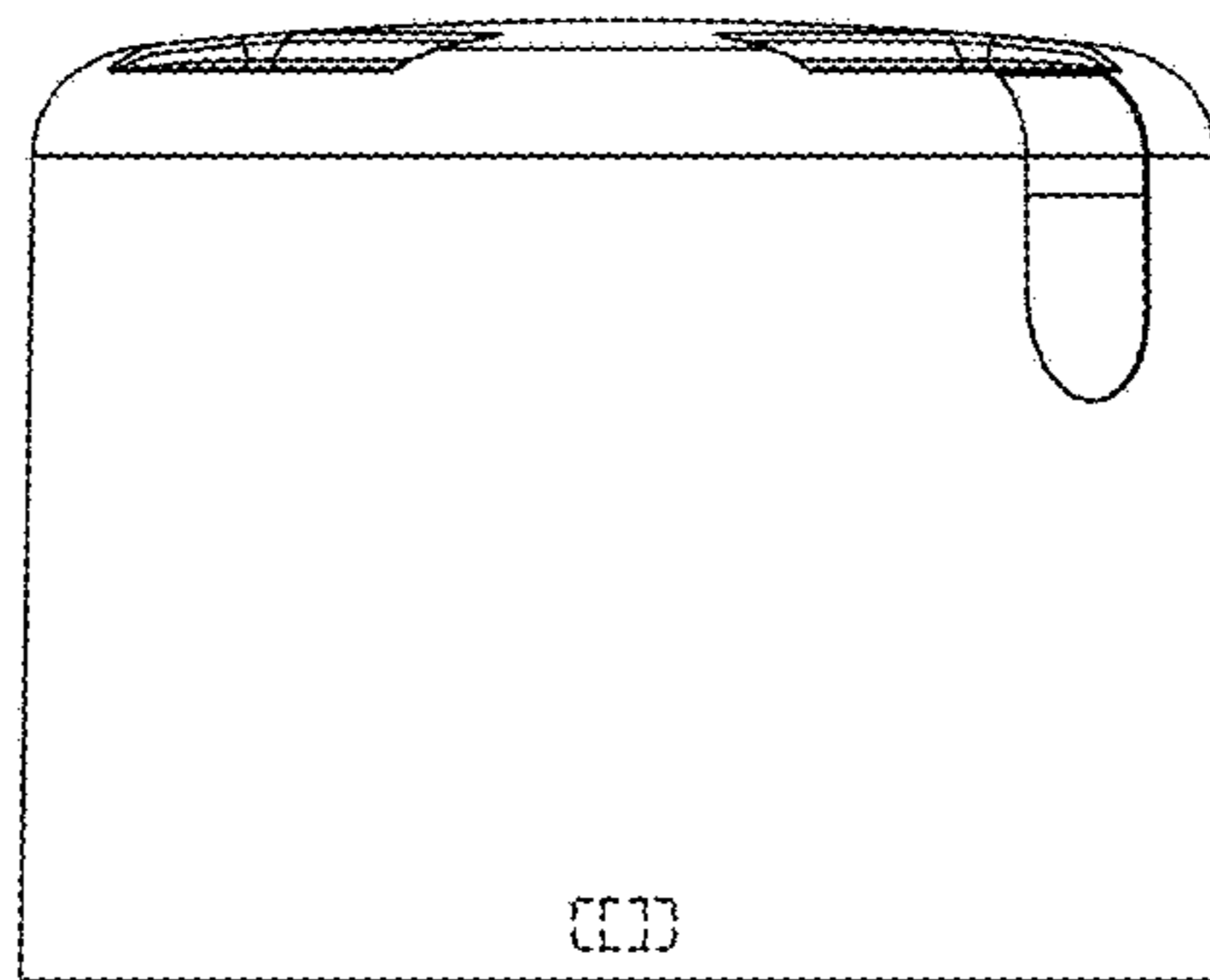


FIG. 9

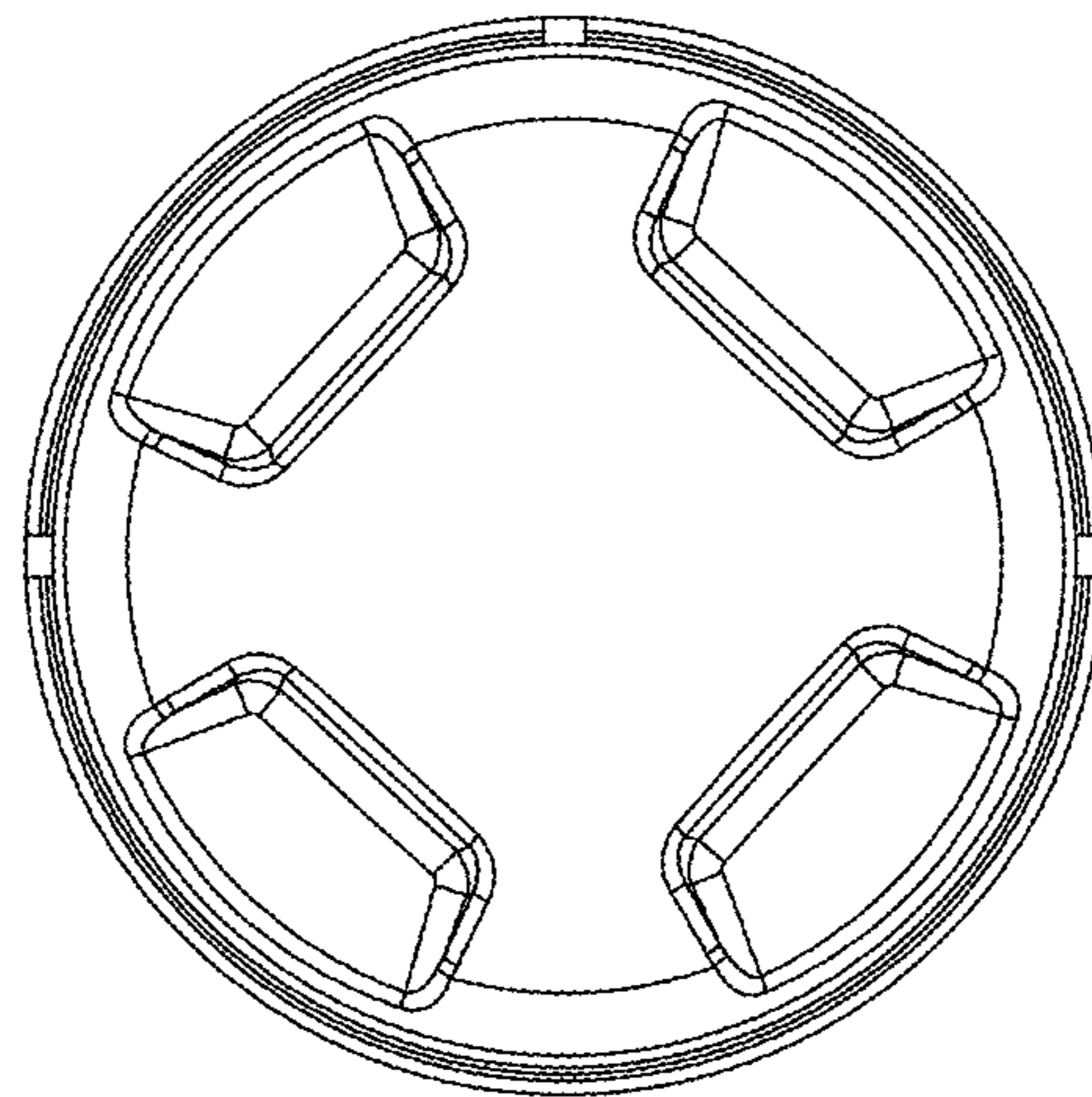


FIG. 13

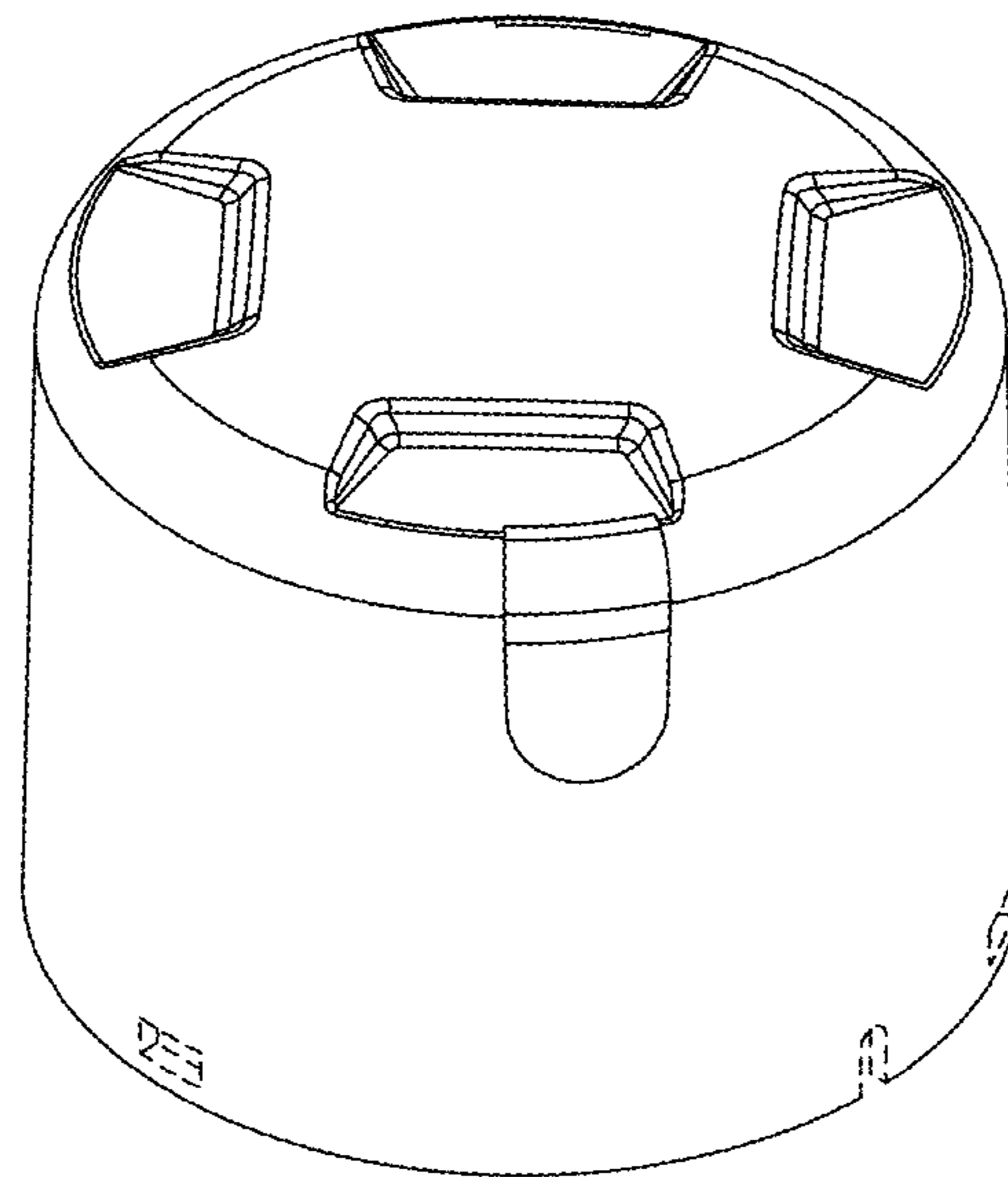


FIG. 14