



US00D784833S

(12) **United States Design Patent**
Rojo et al.

(10) **Patent No.:** **US D784,833 S**
(45) **Date of Patent:** **** Apr. 25, 2017**

(54) **CORROSION TEST CHAMBER**
(71) Applicants: **Nelson Rojo**, Diadema (BR); **Lloyd M Fisher**, Brooksville, FL (US)
(72) Inventors: **Nelson Rojo**, Diadema (BR); **Lloyd M Fisher**, Brooksville, FL (US)
(73) Assignee: **EQUILAM NORTH AMERICA, LLC**, Brooksville, FL (US)

6,360,621 B1 * 3/2002 Eldred G01N 17/002
73/865.6
D592,683 S * 5/2009 Warth D10/46
8,733,186 B2 * 5/2014 Lehman G01M 99/002
73/865.6
8,904,888 B2 * 12/2014 Moazzami G01N 33/14
73/865.6
9,329,118 B2 * 5/2016 Matsuguma G01N 17/002

* cited by examiner

Primary Examiner — Antoine D Davis

(**) Term: **15 Years**

(21) Appl. No.: **29/505,777**

(22) Filed: **Feb. 5, 2016**

(51) **LOC (10) Cl.** **10-04**

(52) **U.S. Cl.**
USPC **D10/81**

(58) **Field of Classification Search**
USPC D10/46, 81
CPC G01N 17/00; G01N 17/002; G01N 17/004;
G01N 17/006; G01N 17/008; G01N
17/02; G01N 17/04; G01N 17/043; G01N
17/046

See application file for complete search history.

(56) **References Cited**

U.S. PATENT DOCUMENTS

D199,063 S * 9/1964 Van Winkle et al. D10/46
4,644,166 A * 2/1987 Sturm G01N 17/00
250/372

(57) **CLAIM**

The ornamental design for a corrosion test chamber, as shown and described.

DESCRIPTION

FIG. 1 is a front elevation view of corrosion test chamber showing our new design.

FIG. 2 is a bottom plan view thereof;

FIG. 3 is a top plan view thereof;

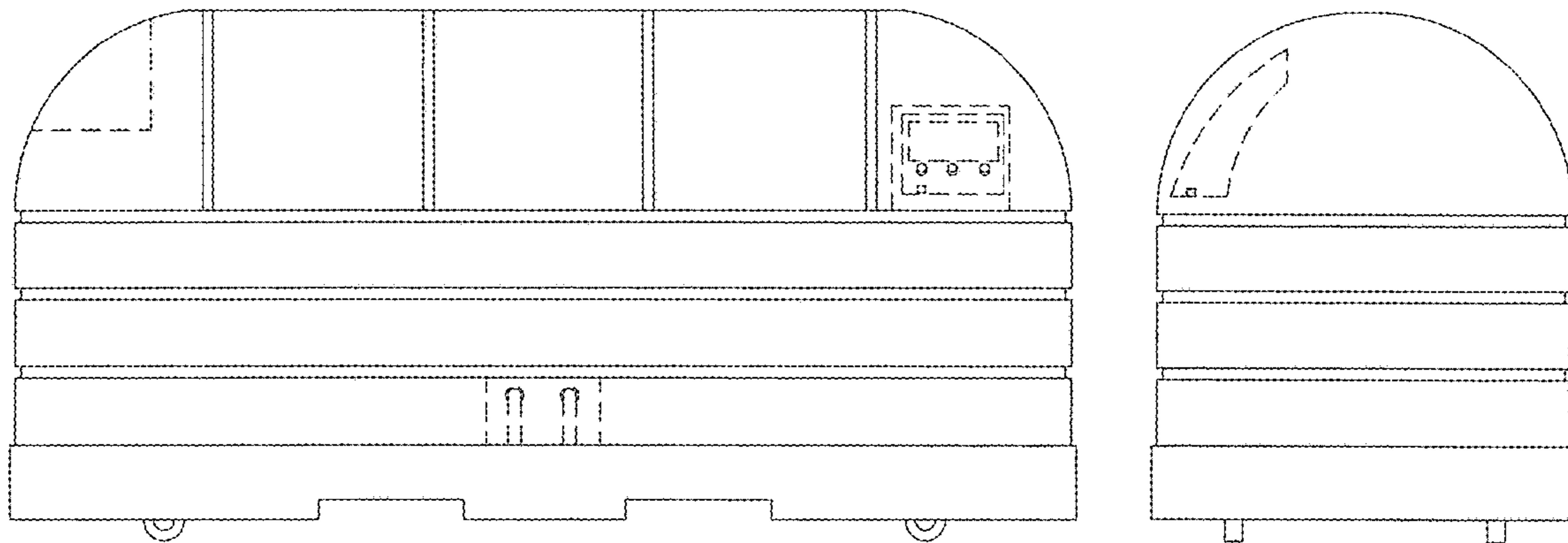
FIG. 4 is a left end elevation view thereof;

FIG. 5 is a right end elevation view thereof; and,

FIG. 6 is a back elevation view thereof.

The broken line showing of structural features is included for the purpose of illustrating non-claimed subject matter and forms no part of the claimed design.

1 Claim, 5 Drawing Sheets



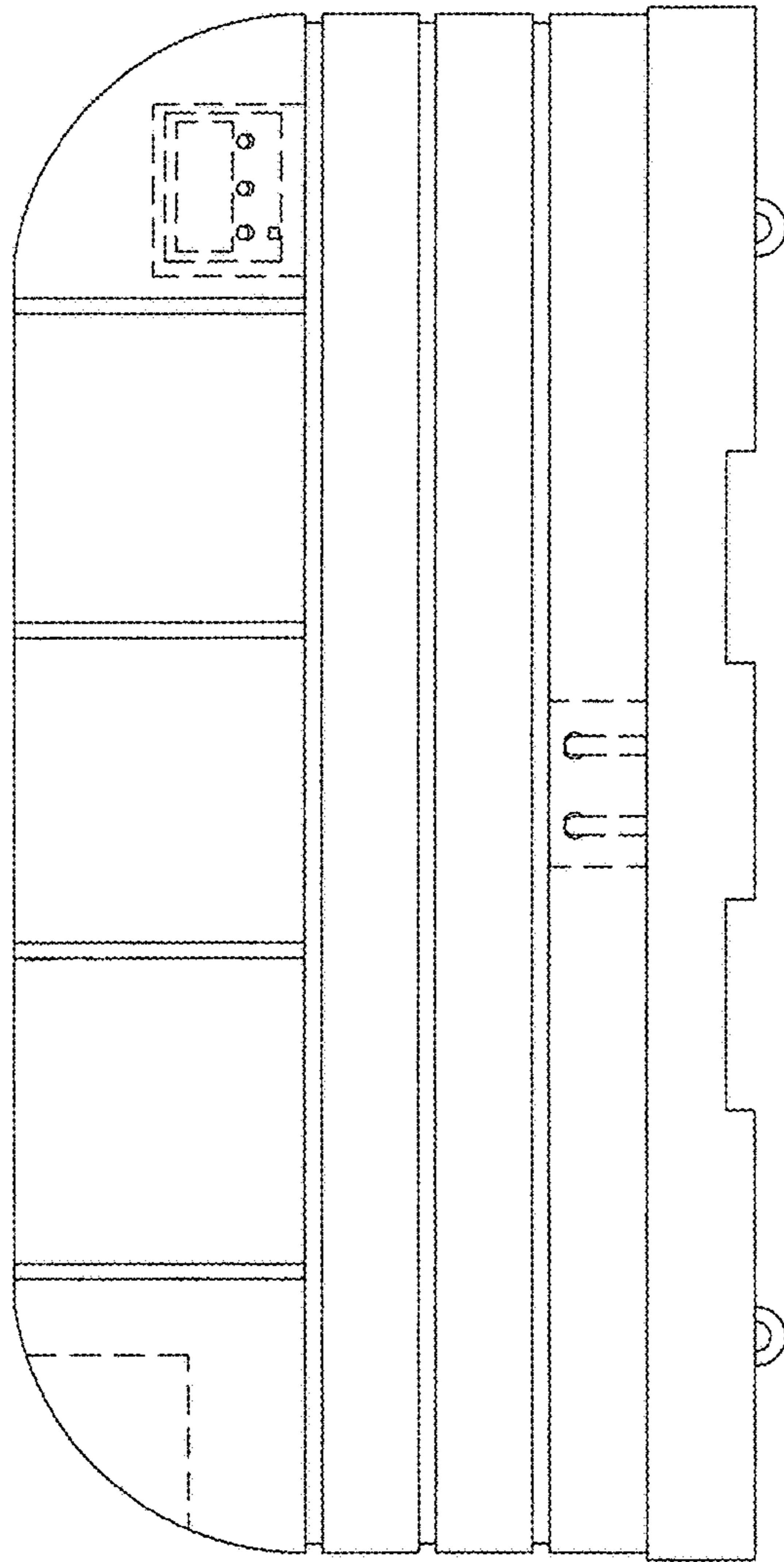


FIG. 1

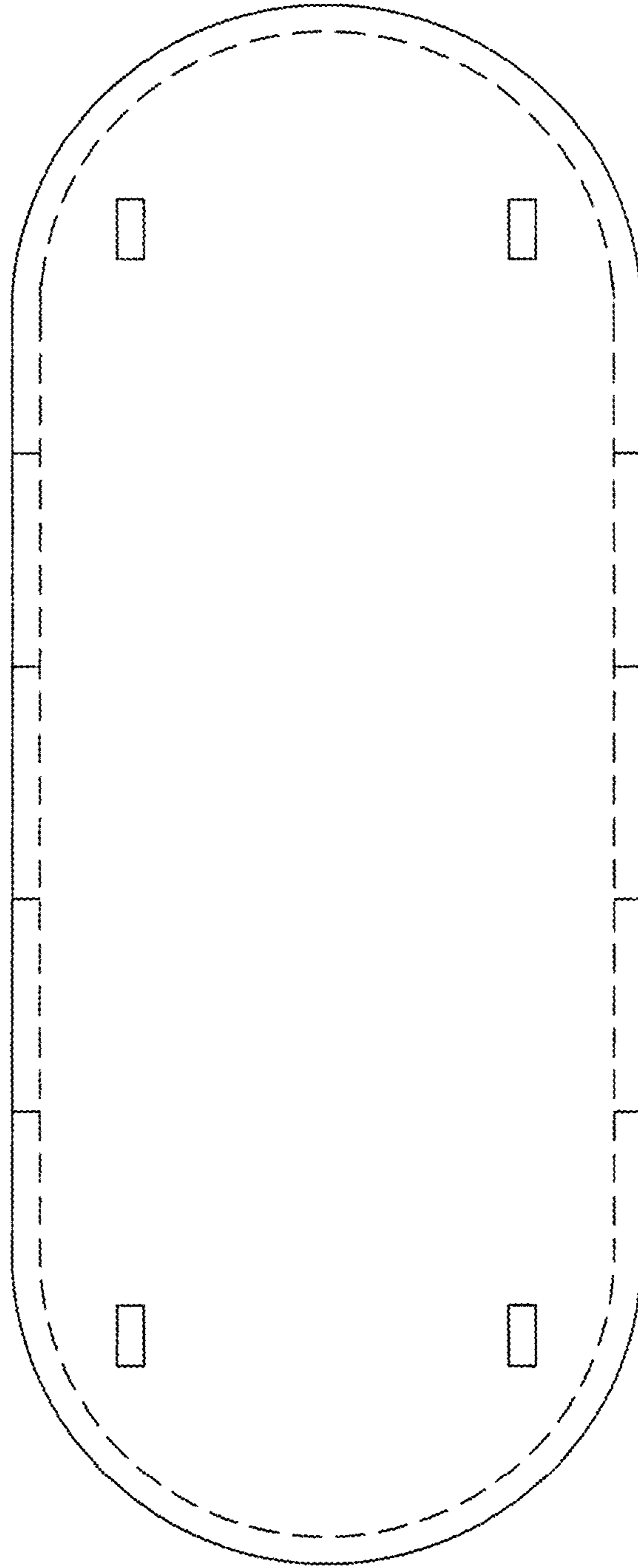


FIG. 2

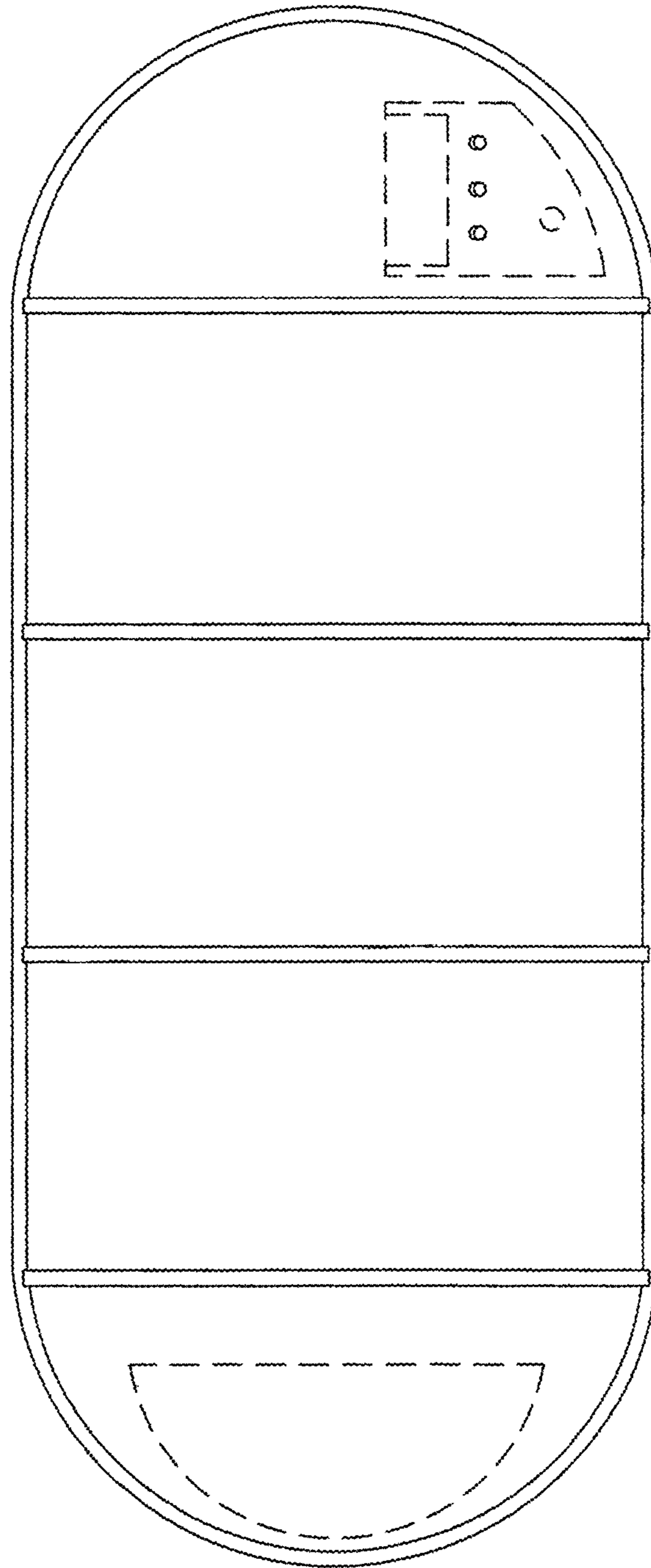


FIG. 3

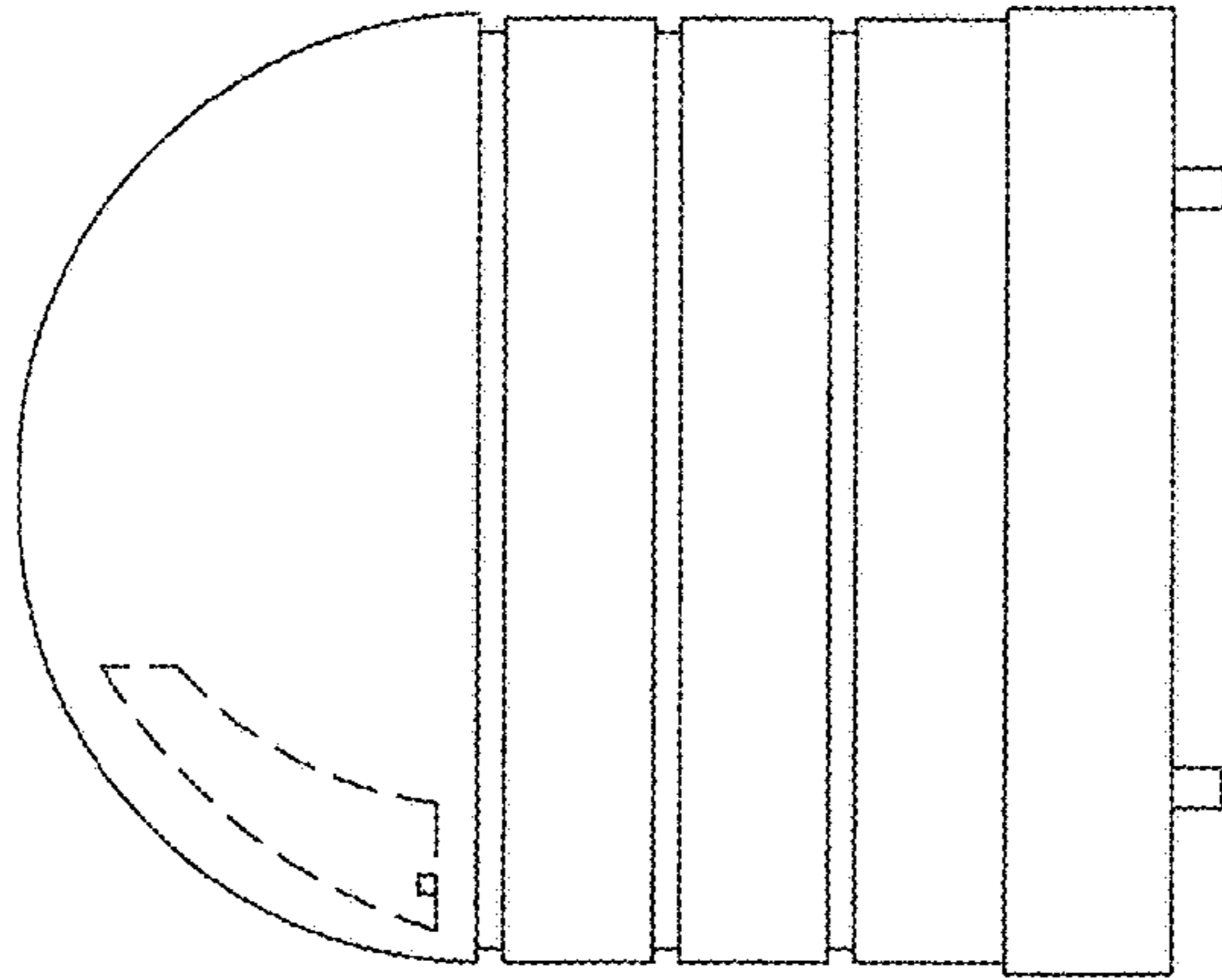


FIG. 4

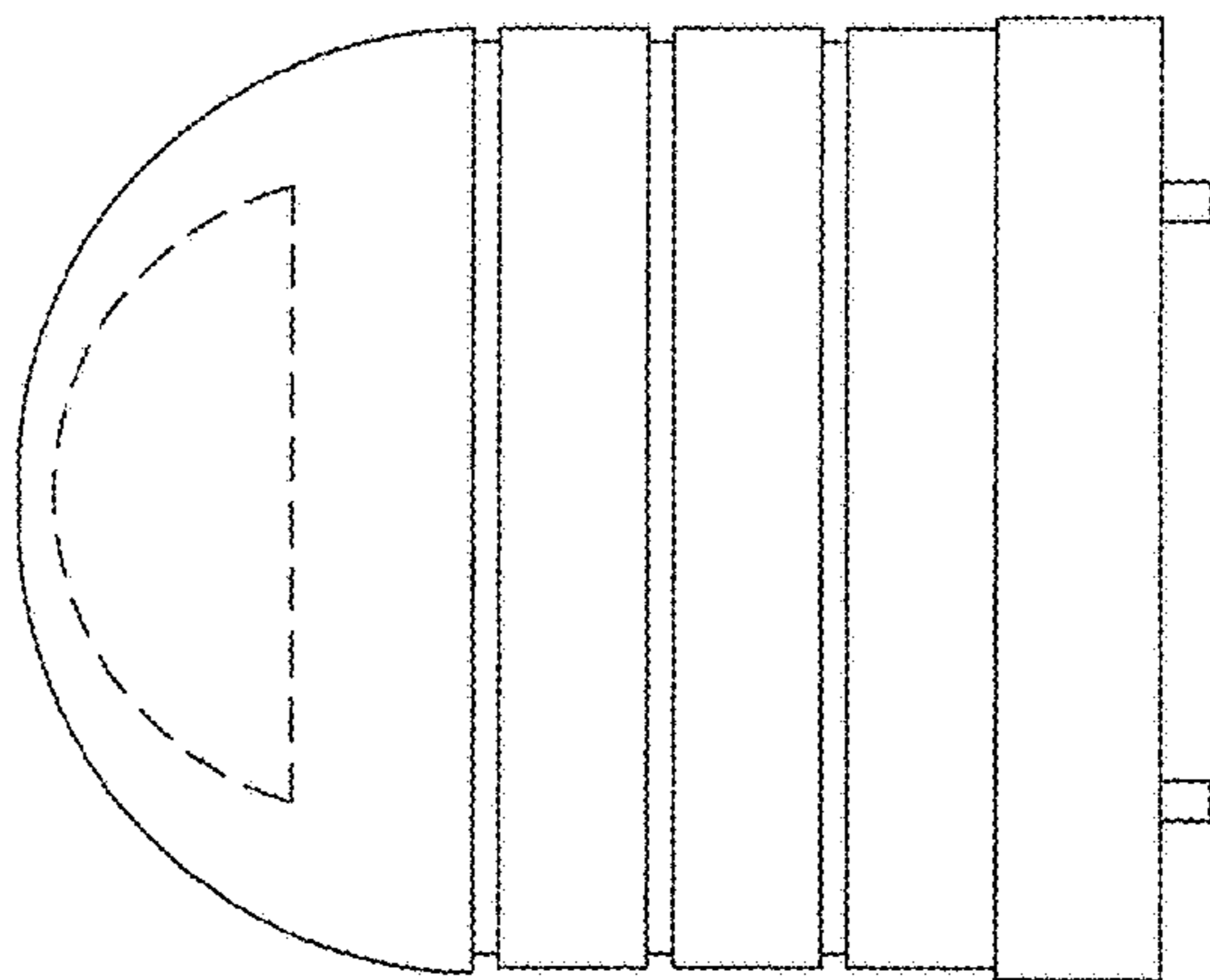


FIG. 5

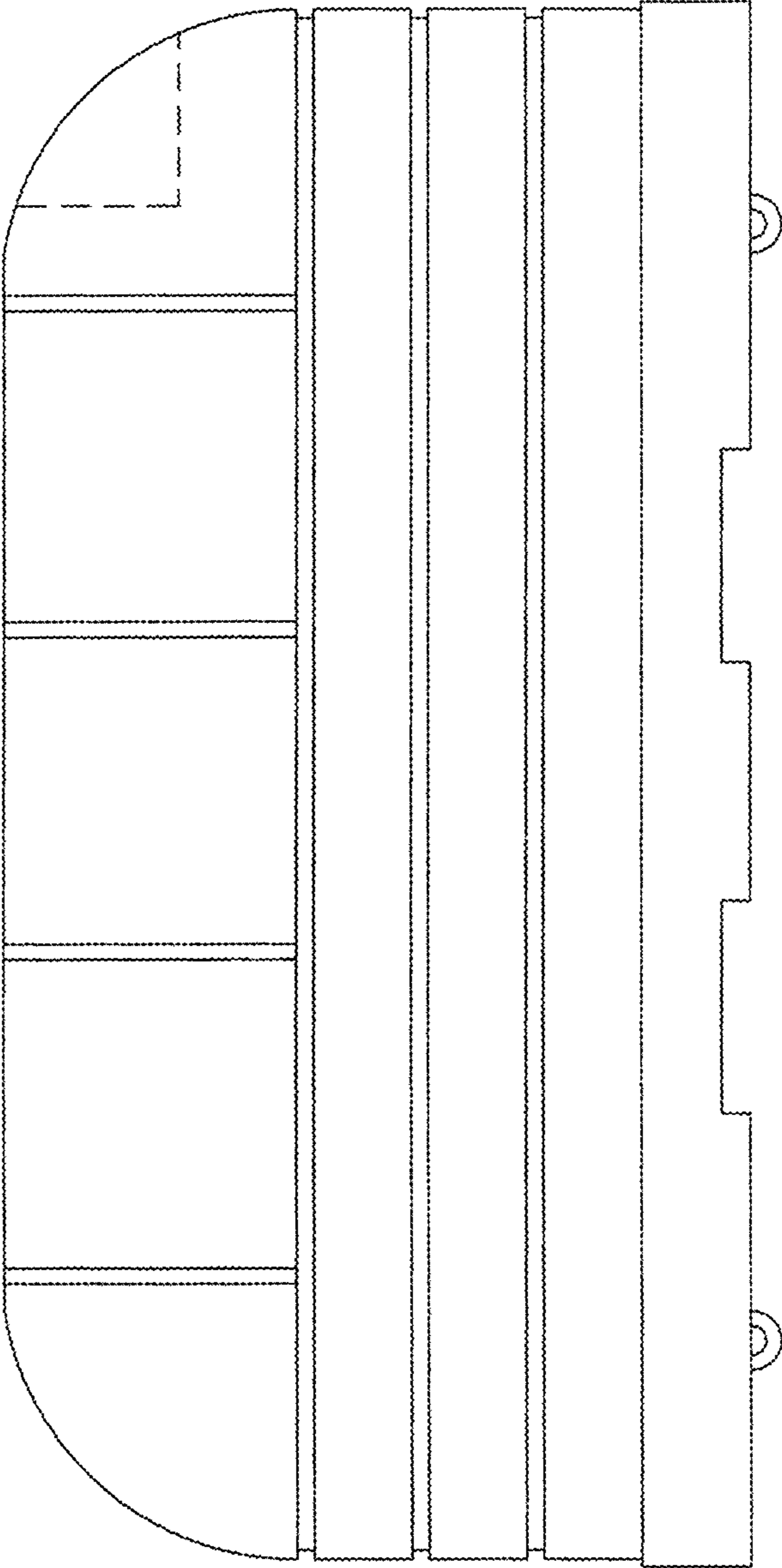


FIG. 6