



US00D784832S

(12) **United States Design Patent**
Weinert

(10) **Patent No.:** **US D784,832 S**
(45) **Date of Patent:** **** Apr. 25, 2017**

(54) **EXTERNAL PLACEMENT INDICATOR**

DESCRIPTION

(71) Applicant: **Tyco Fire Products LP**, Lansdale, PA (US)
(72) Inventor: **Jamie T. Weinert**, Escanaba, MI (US)
(73) Assignee: **Tyco Fire Products LP**, Lansdale, PA (US)
(**) Term: **15 Years**
(21) Appl. No.: **29/529,703**
(22) Filed: **Jun. 10, 2015**
(51) **LOC (10) Cl.** **10-04**
(52) **U.S. Cl.**
USPC **D10/75**
(58) **Field of Classification Search**
USPC D10/46, 75
CPC G01B 7/003; G01D 5/142; G01D 5/16;
G01D 5/18; G01D 5/20; G01D 5/24;
G01D 5/242; G01D 5/24428; G01D
5/24438; G01D 5/24457; G01D 5/24485;
G01R 33/0047
See application file for complete search history.

(56) **References Cited**

U.S. PATENT DOCUMENTS

D656,426 S * 3/2012 Marcoz D10/75

* cited by examiner

Primary Examiner — Antoine D Davis

(74) *Attorney, Agent, or Firm* — Perkins Coie LLP

(57) **CLAIM**

The ornamental design for the external placement indicator, as shown and described.

FIG. 1 is A Bottom Perspective View Showing An External Placement Indicator In Accordance With A First Embodiment Of My New Design.

FIG. 2 is A Top Perspective View of the First Embodiment of My New Design.

FIG. 3 is A Bottom View of the First Embodiment of My New Design.

FIG. 4 is A Top View of the First Embodiment of My New Design.

FIG. 5 is A Front View of the First Embodiment of My New Design.

FIG. 6 is A Rear View of the First Embodiment of My New Design.

FIG. 7 is A Right Side View of the First Embodiment of My New Design.

FIG. 8 is A Left Side View of the First Embodiment of My New Design.

FIG. 9 is A Bottom Perspective View Showing An External Placement Indicator In Accordance With A Second Embodiment Of My New Design.

FIG. 10 is A Top Perspective View of the Second Embodiment of My New Design.

FIG. 11 is A Bottom View of the Second Embodiment of My New Design.

FIG. 12 is A Top View of the Second Embodiment of My New Design.

FIG. 13 is A Front View of the Second Embodiment of My New Design.

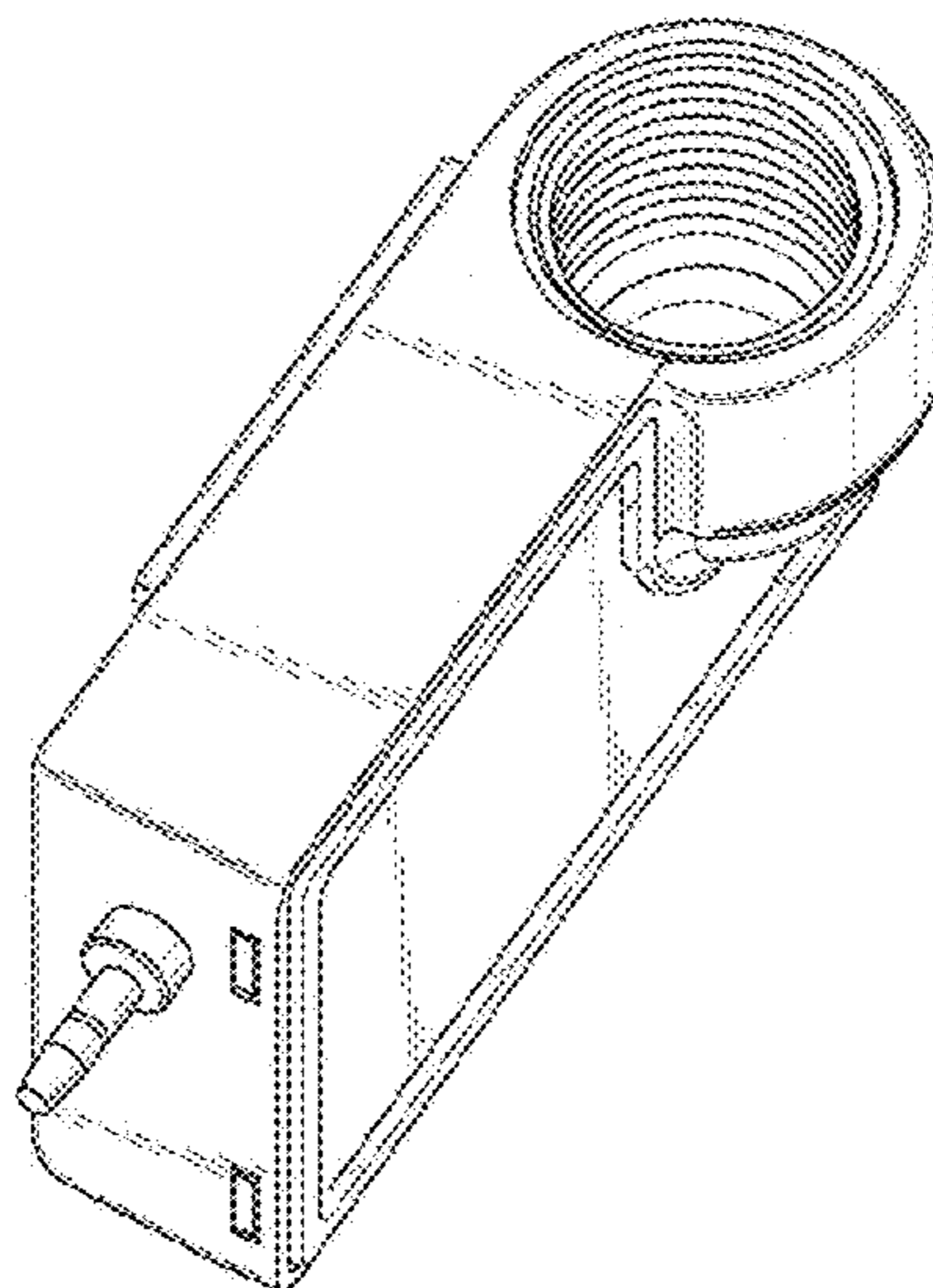
FIG. 14 is A Rear View of the Second Embodiment of My New Design.

FIG. 15 is A Right Side View of the Second Embodiment of My New Design; and,

FIG. 16 is A Left Side View of the Second Embodiment of My New Design.

The broken line showing of a portion of the mounting bracket in FIG. 9-16 is for illustrative purposes only and forms no part of the claimed design.

1 Claim, 12 Drawing Sheets



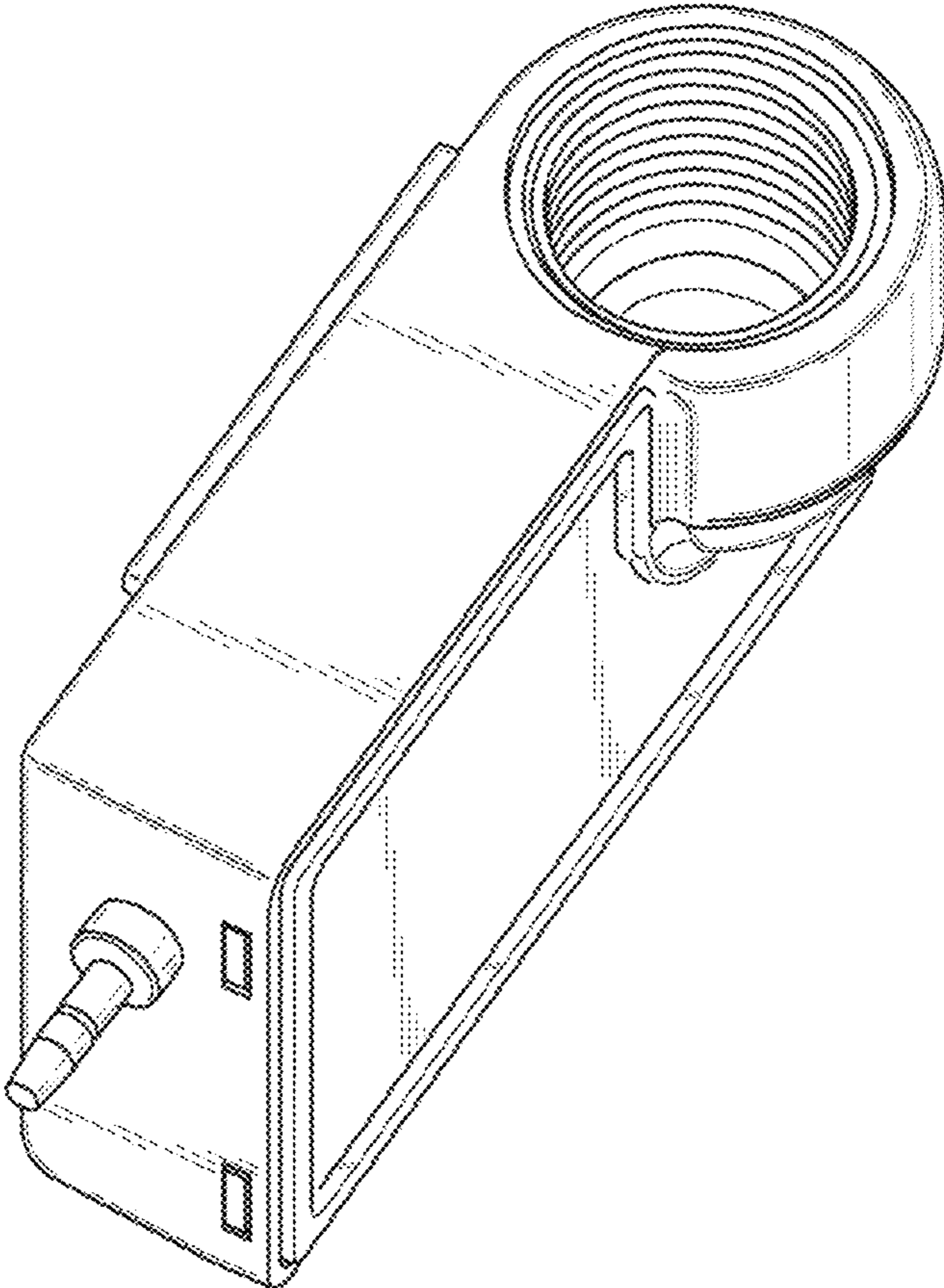


Fig. 1

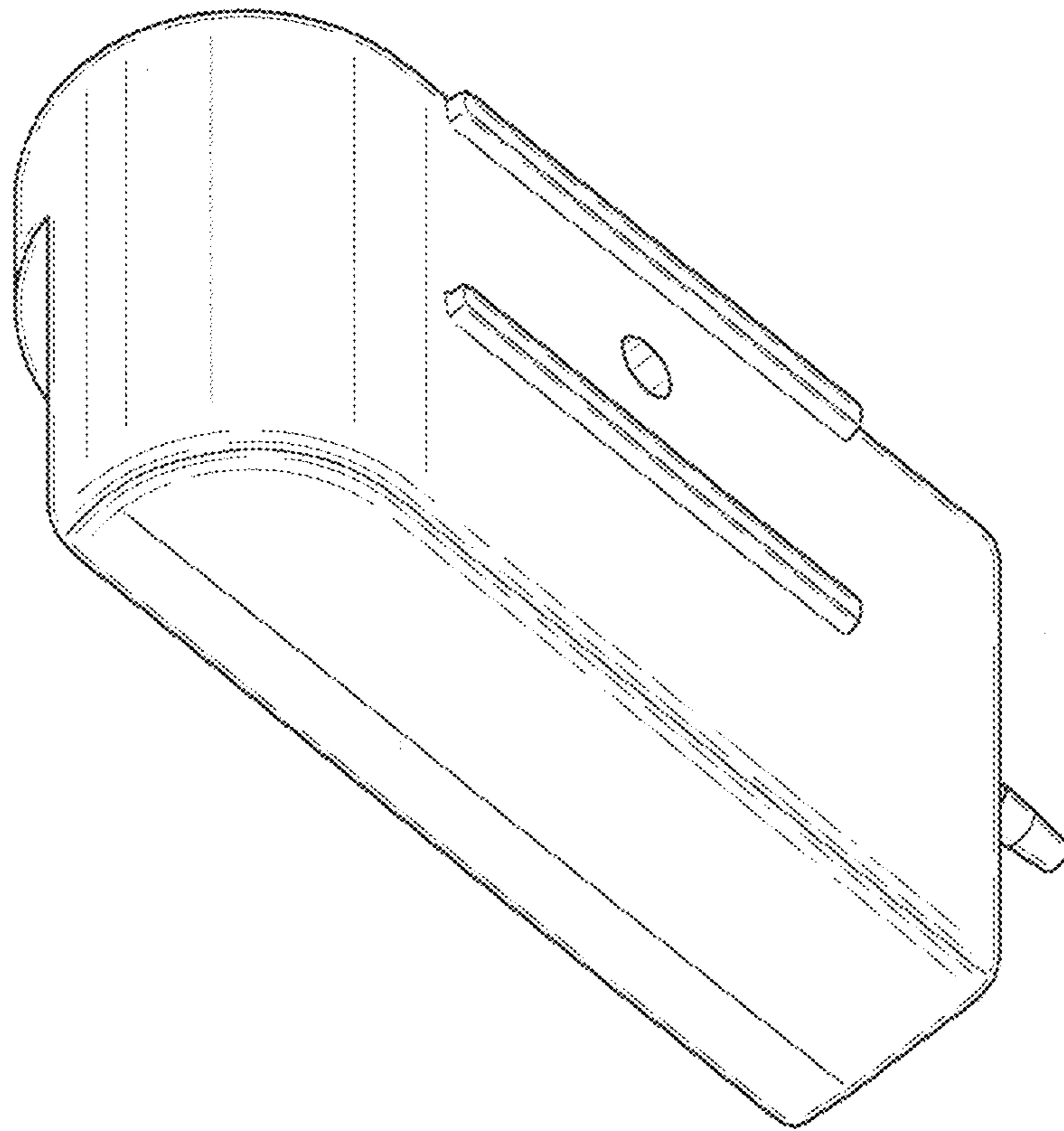


Fig. 2

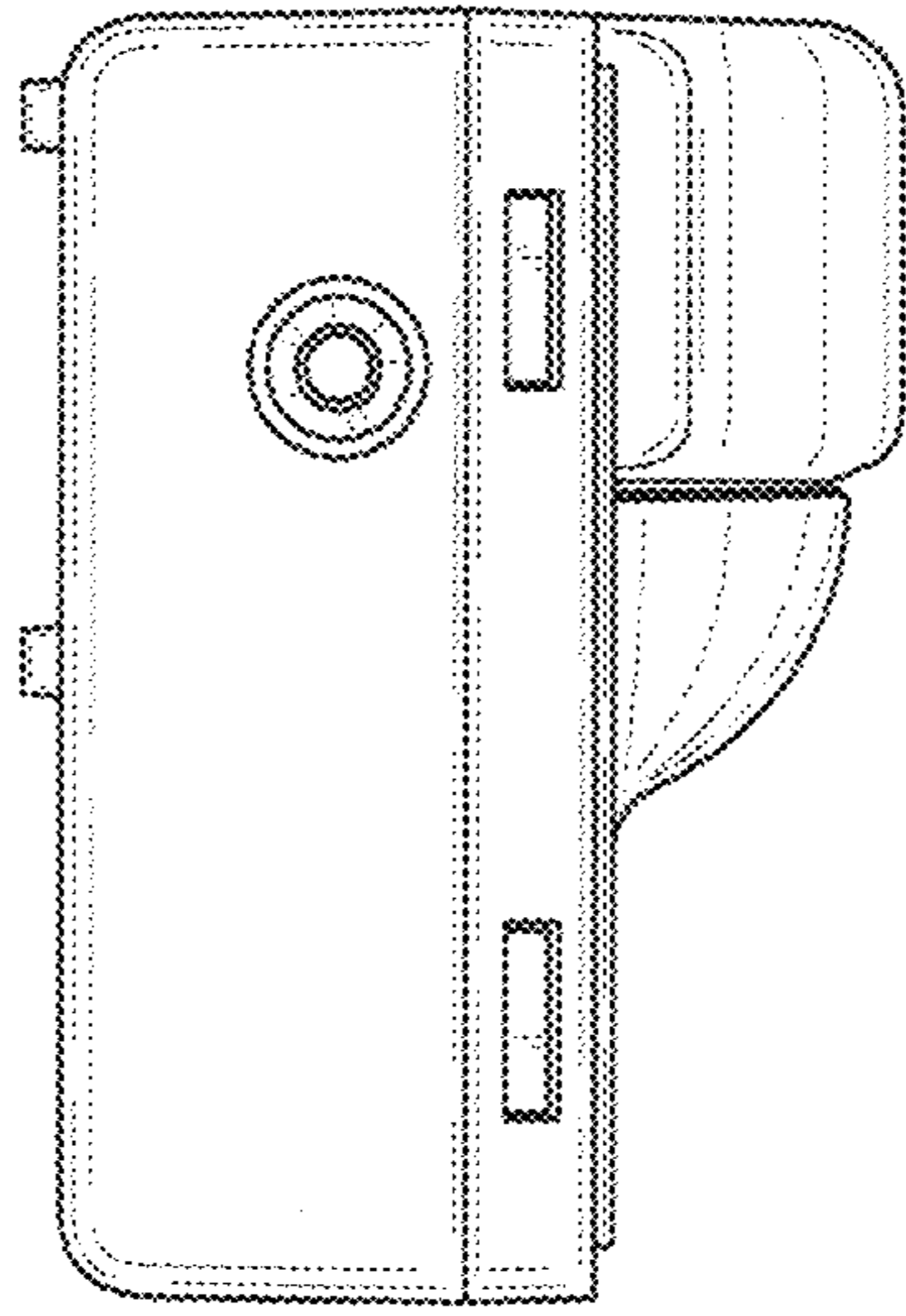


Fig. 3

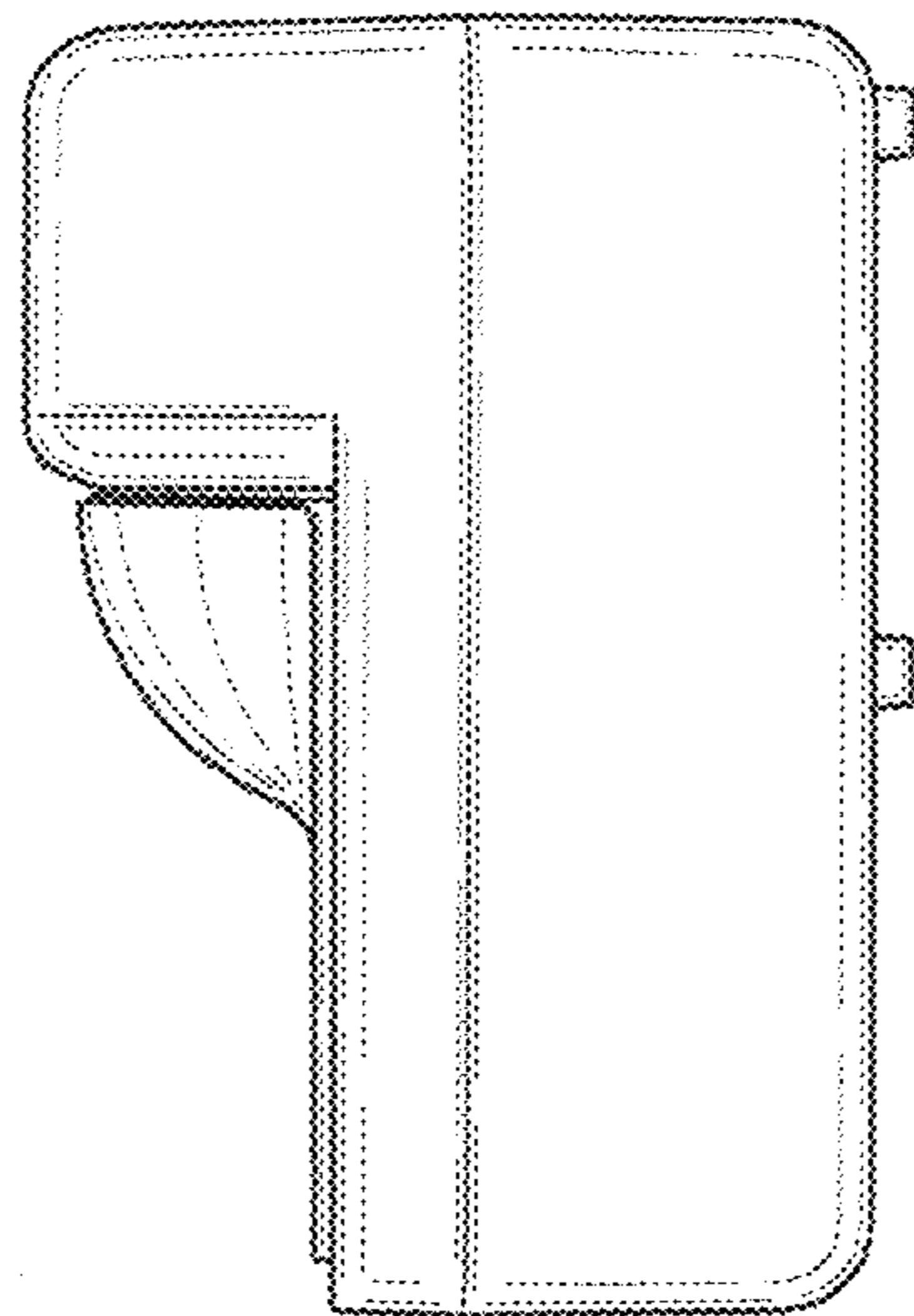


Fig. 4

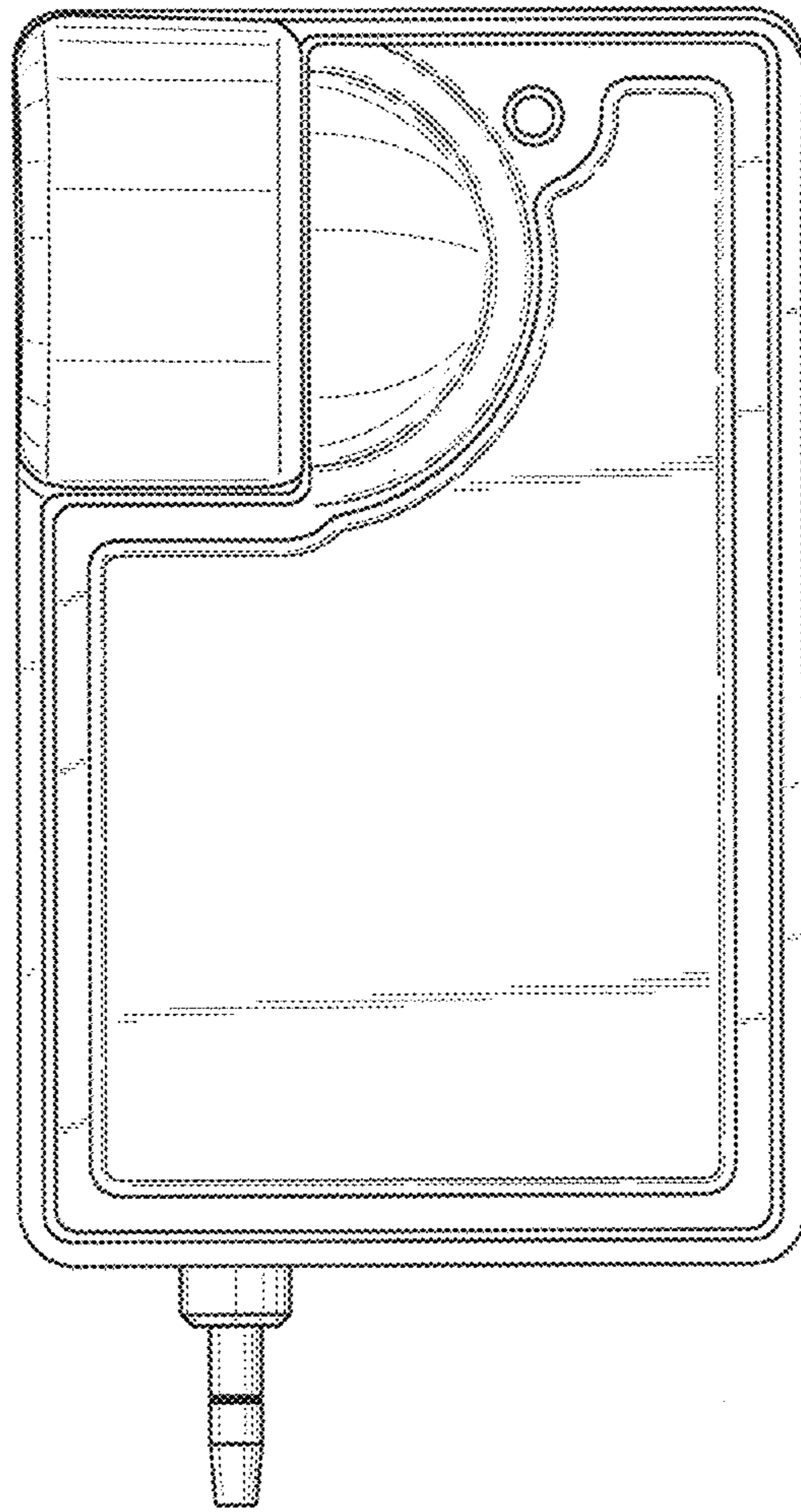


Fig. 5

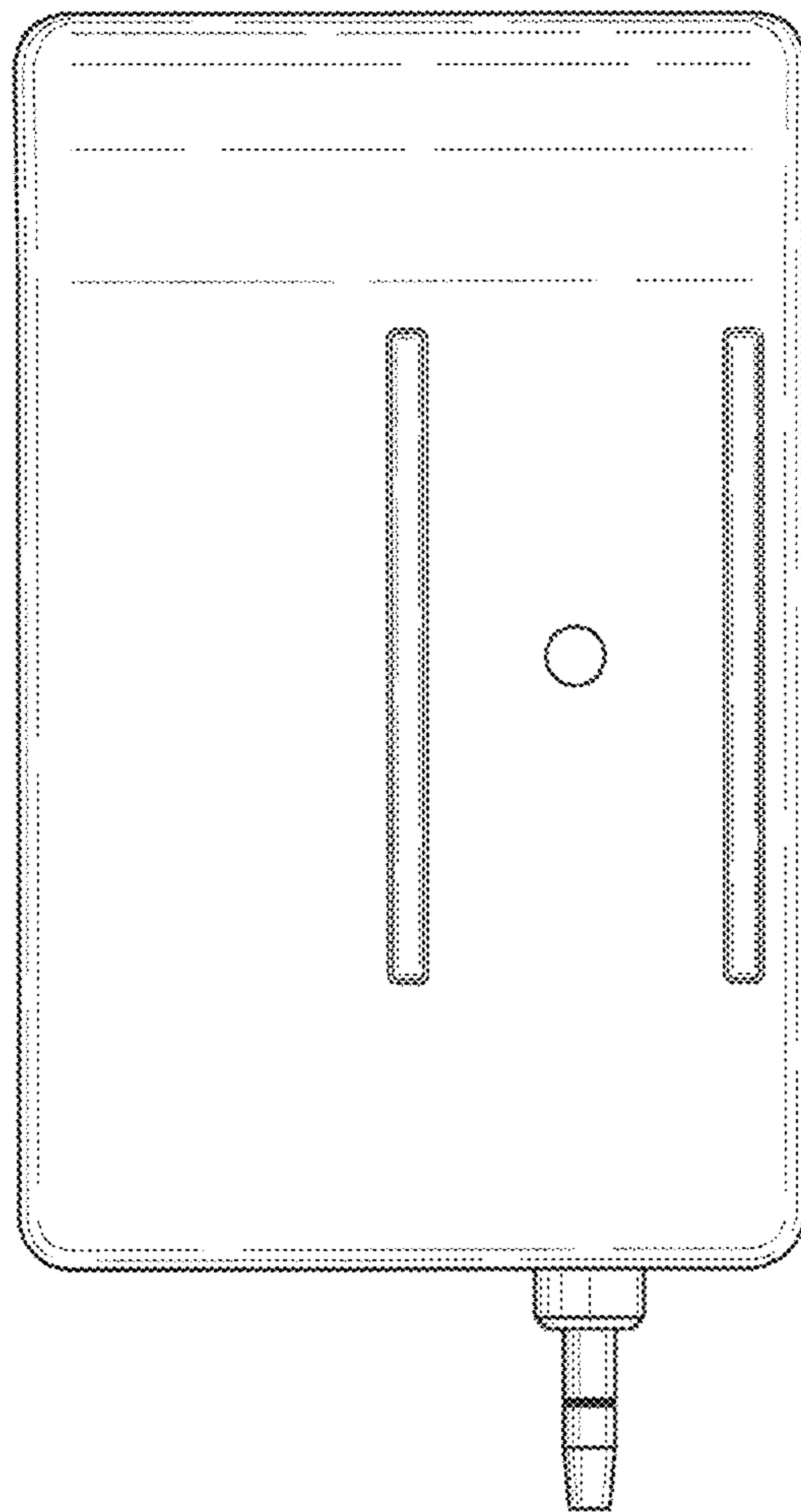


Fig. 6

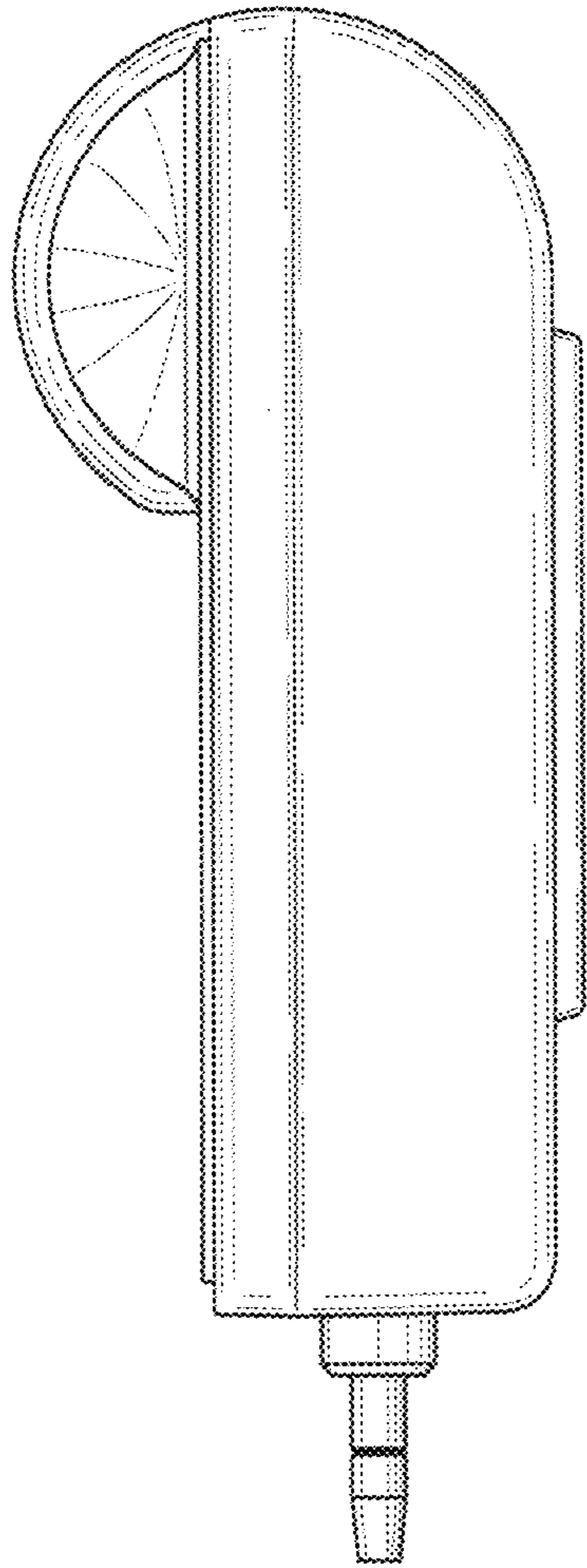


Fig. 7

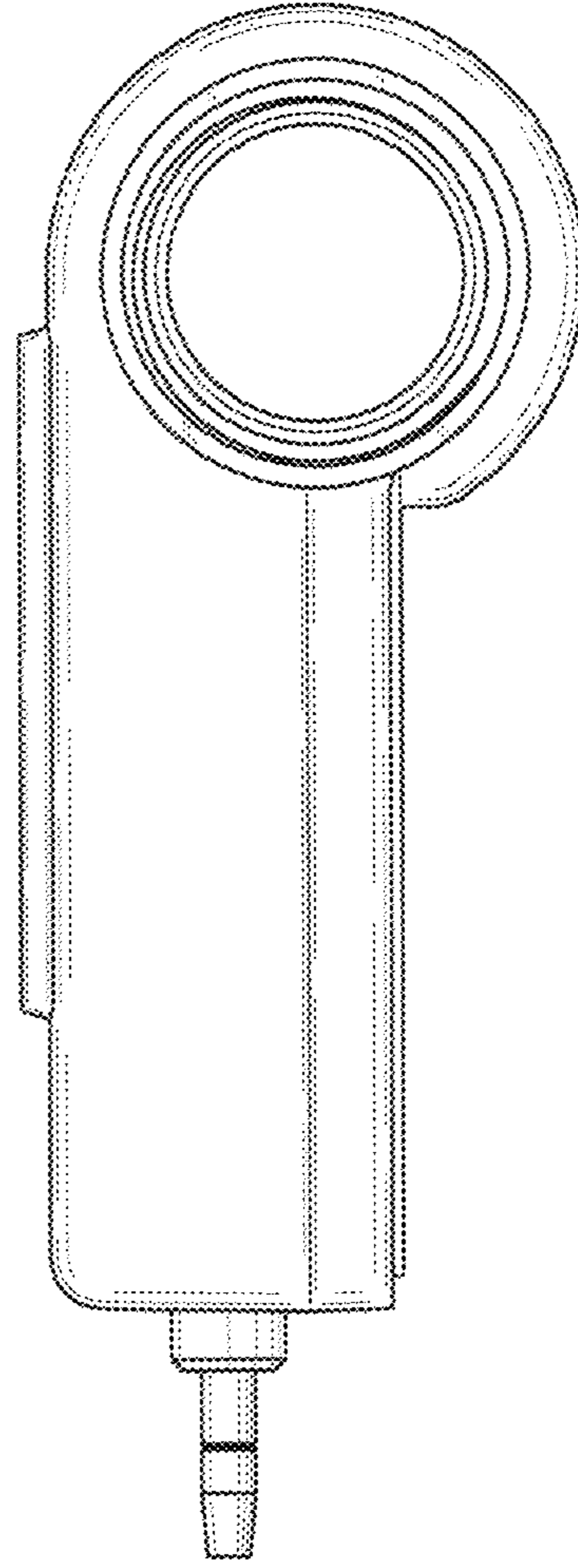


Fig. 8

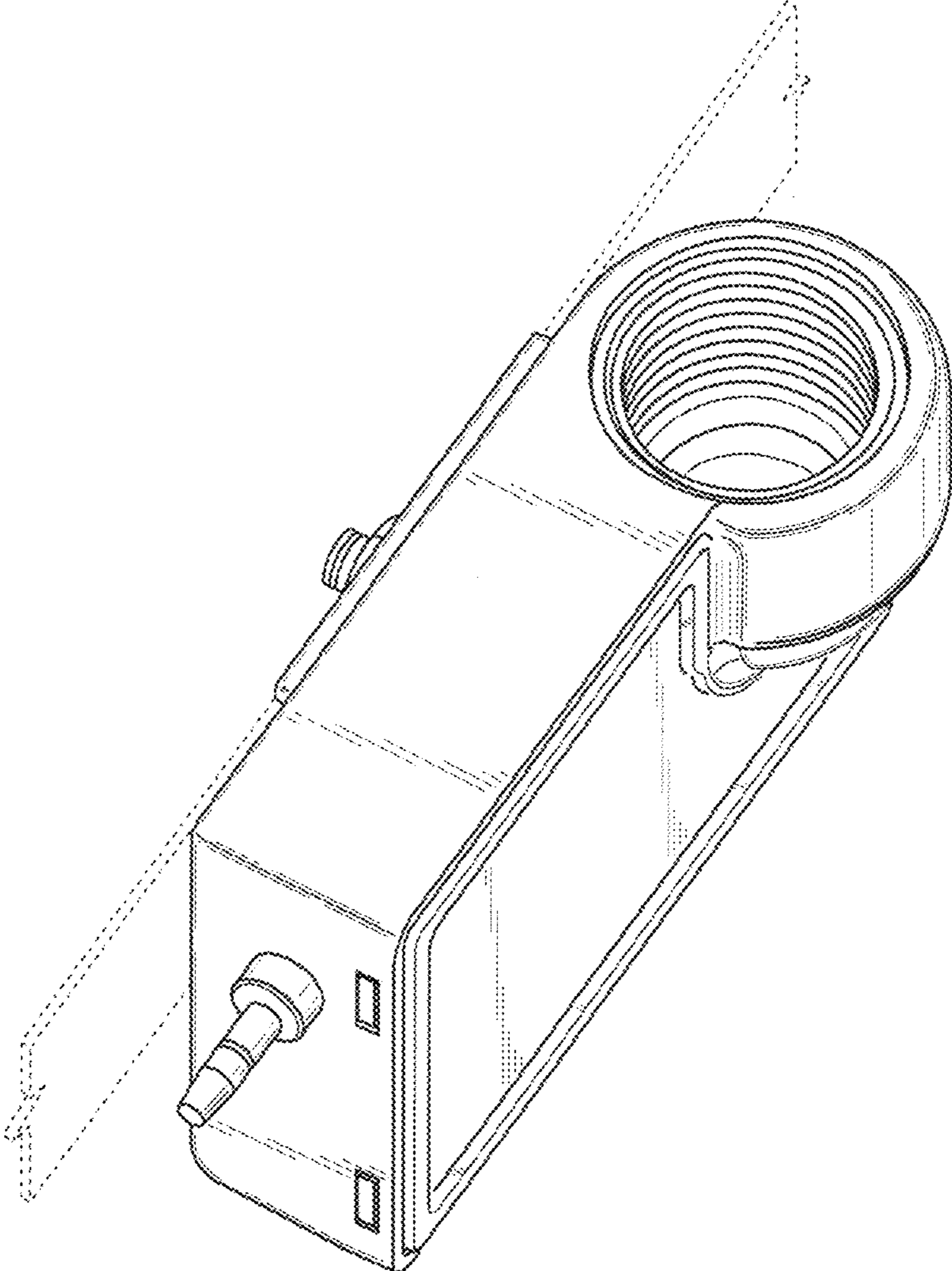


Fig. 9

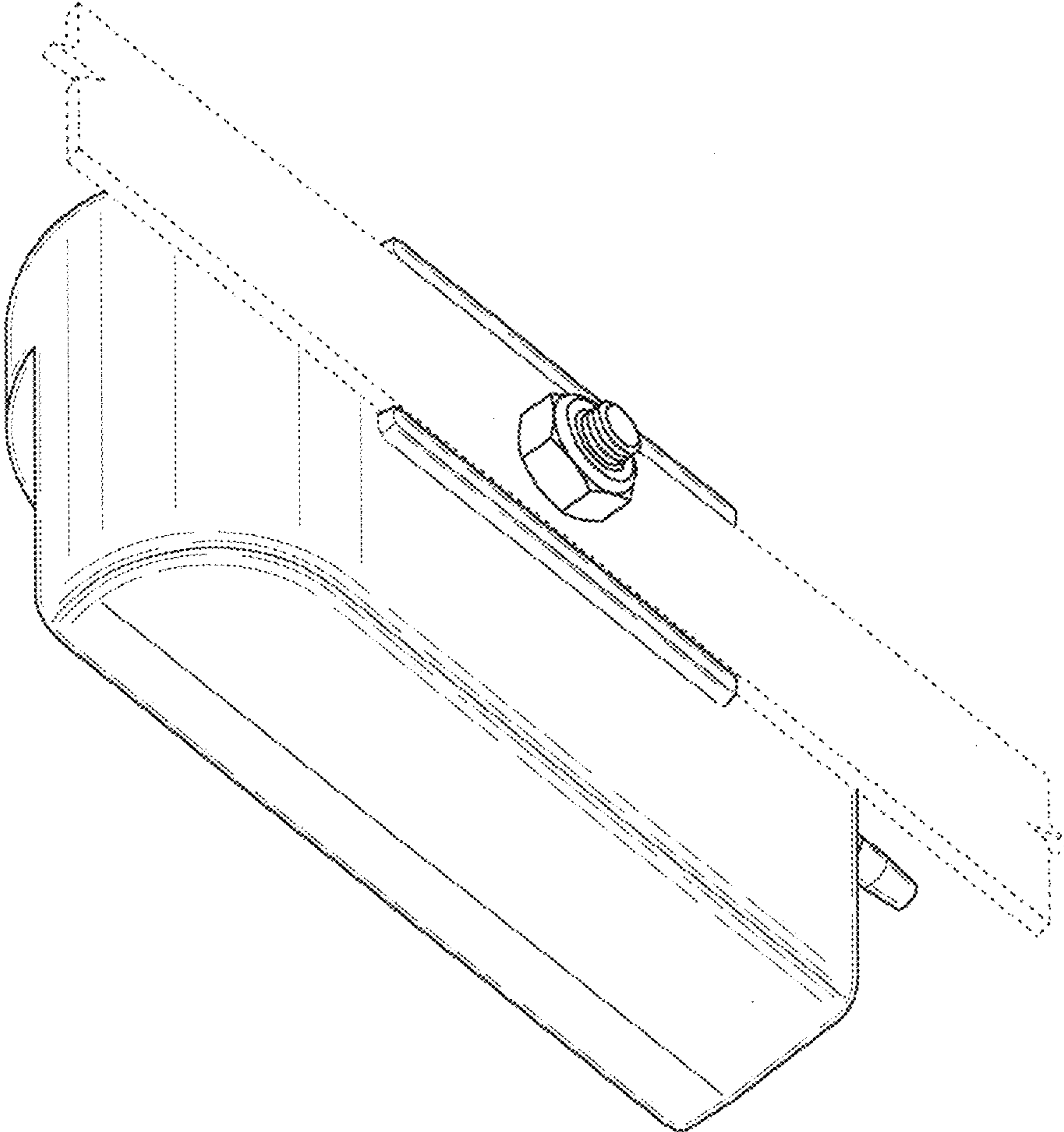


Fig. 10

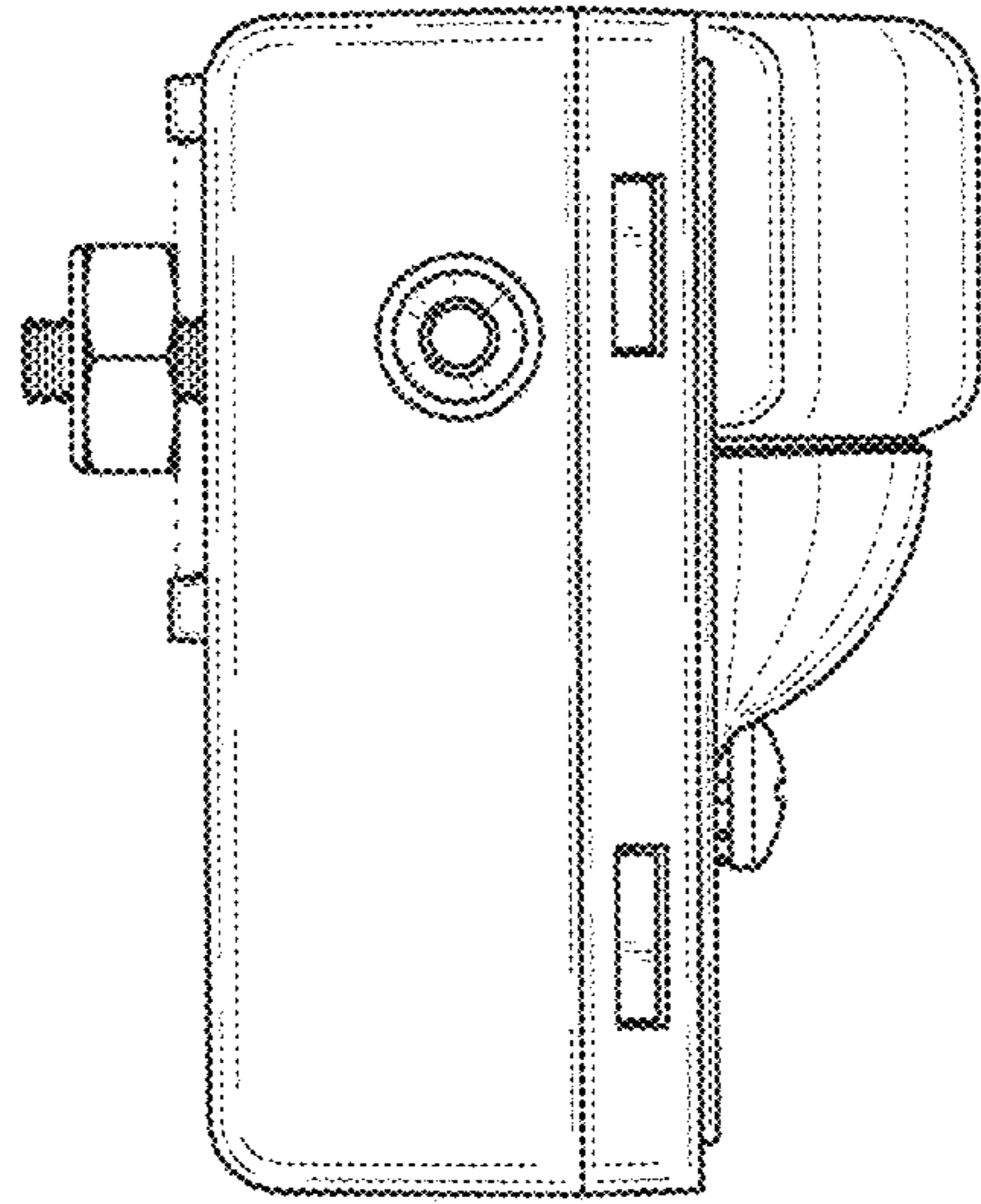


Fig. 11

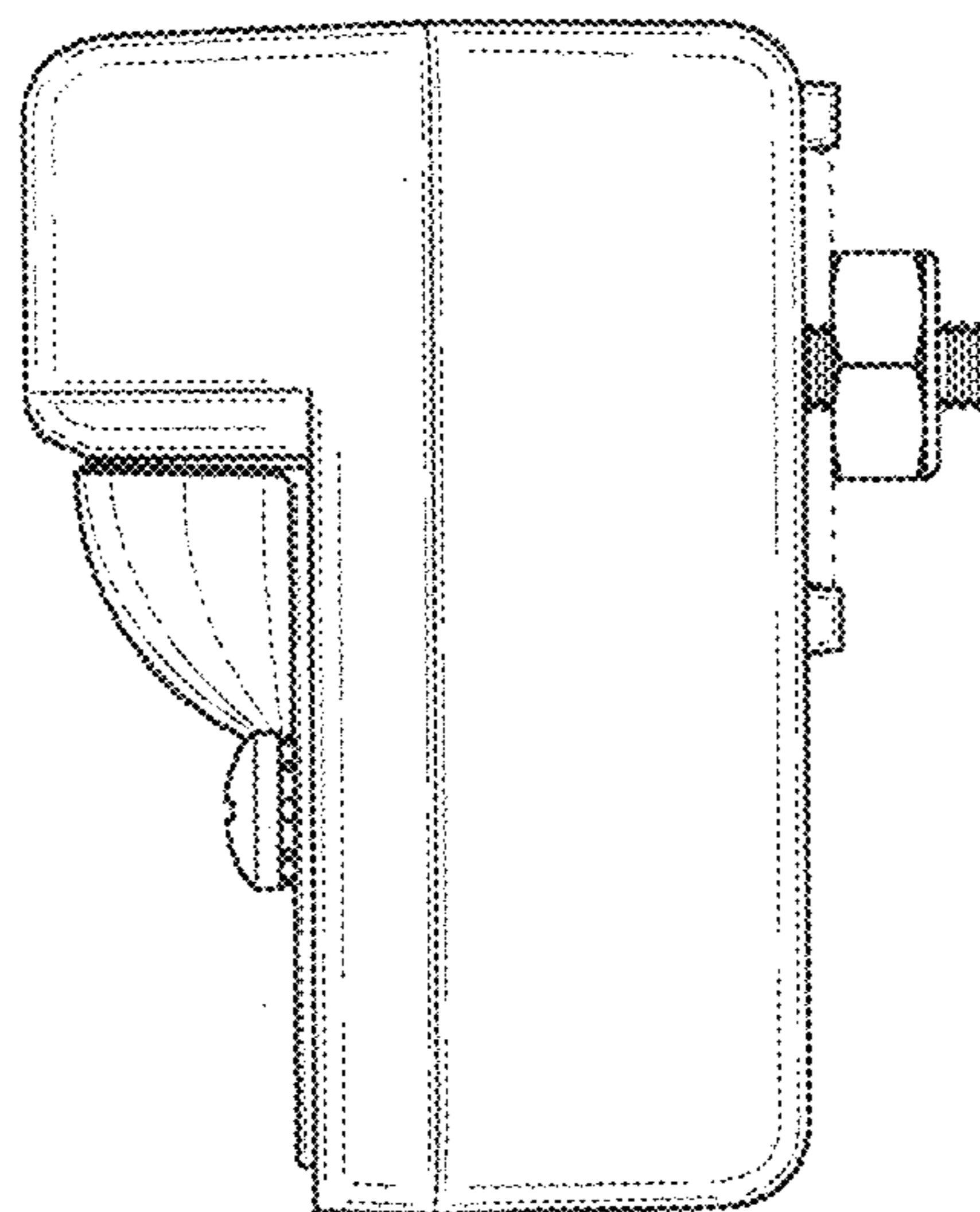


Fig. 12

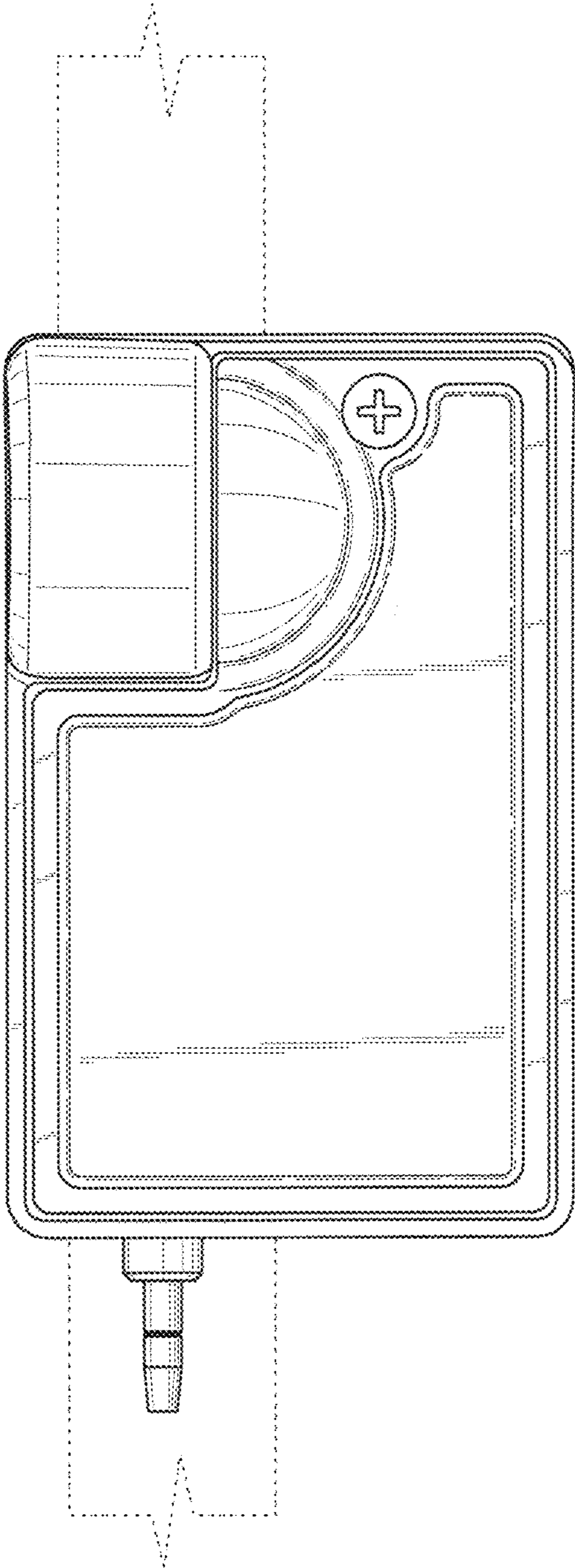


Fig. 13

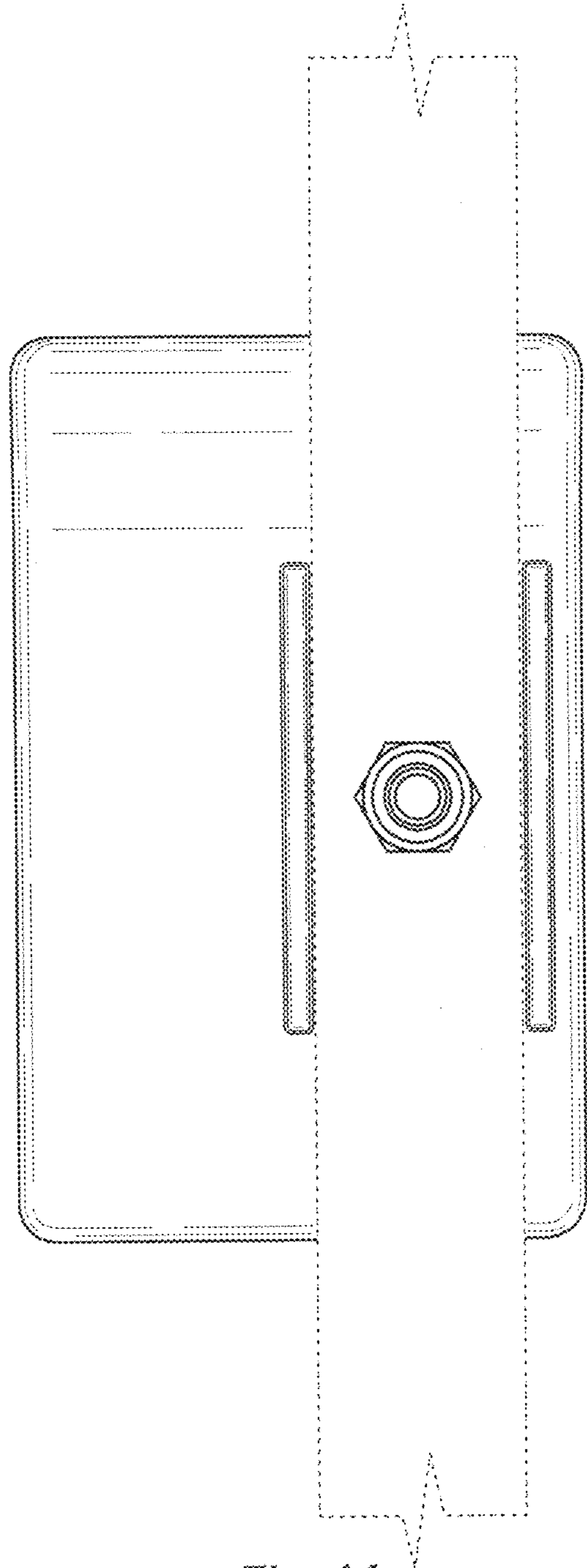


Fig. 14

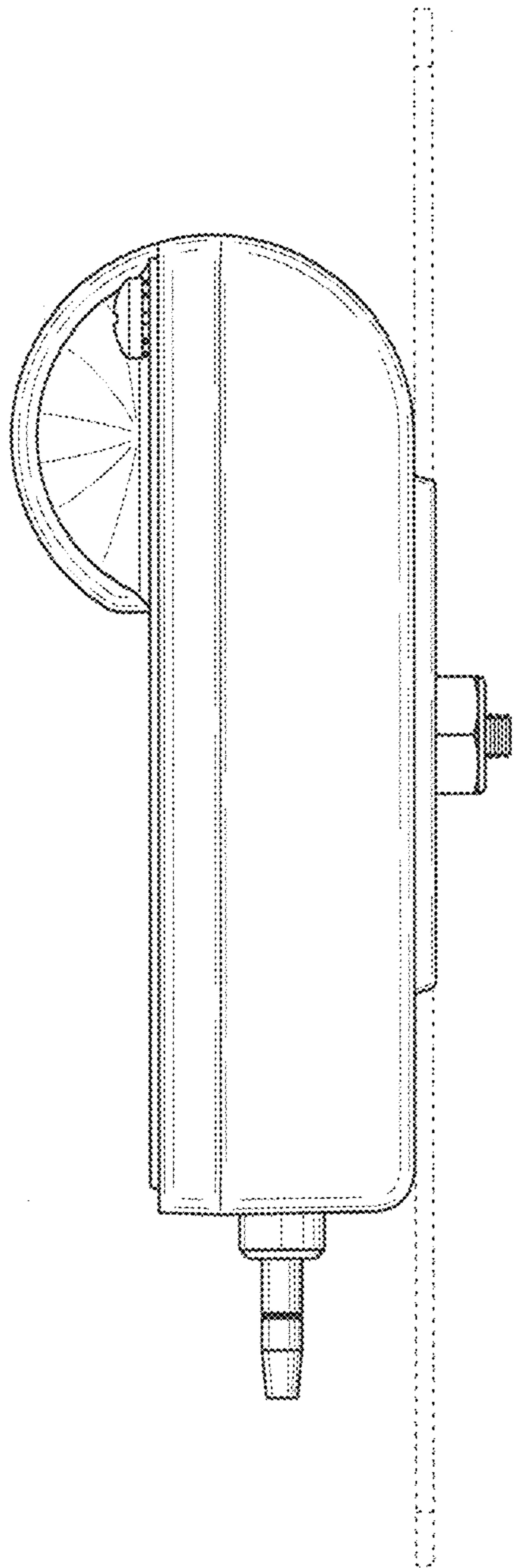


Fig. 15

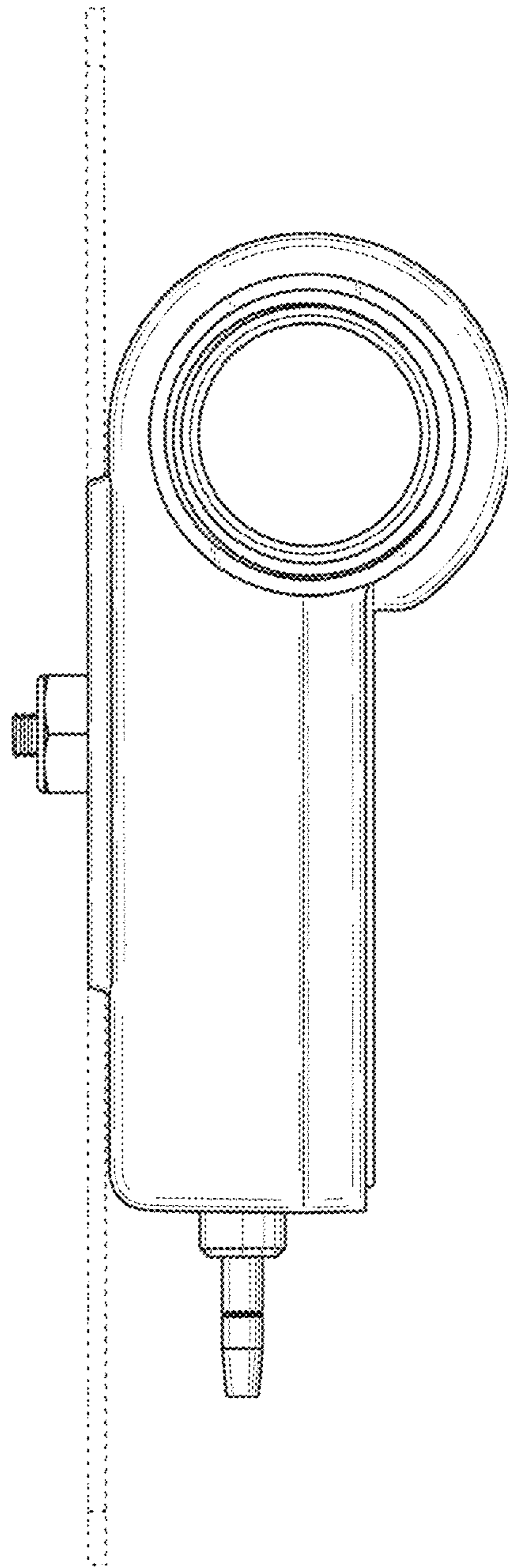


Fig. 16