



US00D784828S

(12) **United States Design Patent**
Silvera

(10) **Patent No.:** **US D784,828 S**

(45) **Date of Patent:** **** Apr. 25, 2017**

(54) **CLOCK HAVING TRAPEZOIDAL PROFILE**

(71) Applicant: **SDI Technologies, Inc.**, Rahway, NJ
(US)

(72) Inventor: **Isaac Silvera**, Brooklyn, NY (US)

(73) Assignee: **SDI TECHNOLOGIES, INC.**,
Rahway, NJ (US)

(**) Term: **15 Years**

(21) Appl. No.: **29/565,793**

(22) Filed: **May 24, 2016**

(51) **LOC (10) Cl.** **10-01**

(52) **U.S. Cl.**
USPC **D10/21**

(58) **Field of Classification Search**
USPC D10/30-39, 1-29, 122-132; D14/144,
D14/155, 162, 169, 170, 188, 208, 265
CPC G04B 17/00; G04B 17/02; G04B 17/005;
G04B 17/285; G04B 37/00; G04B
37/0008; G04B 37/0058; G04B 45/00;
G04B 45/038; G04B 45/0069; G04B
45/0076; G04B 45/02; G04B 29/00;
B60R 11/02; B60K 37/04; B60K 37/06
See application file for complete search history.

(56) **References Cited**

U.S. PATENT DOCUMENTS

D273,785 S *	5/1984	Davidson	D10/15
D572,702 S *	7/2008	Bart	D14/171
D577,709 S *	9/2008	Skurdal	D14/171
D583,358 S *	12/2008	Joseph	D10/2
D586,327 S *	2/2009	Shimizu	D14/188
D598,896 S *	8/2009	Garrett	D14/171
D600,251 S *	9/2009	Poandl	D14/168
D614,200 S *	4/2010	Skurdal	D14/496
D616,413 S *	5/2010	Poandl	D10/2
D622,258 S *	8/2010	Joseph	D10/2
D642,154 S *	7/2011	Poandl	D14/171

D645,841 S *	9/2011	Joseph	D14/171
D656,919 S *	4/2012	Skurdal	D14/171
D658,151 S *	4/2012	Joseph	D14/171
D666,577 S *	9/2012	Skurdal	D14/171
D676,412 S *	2/2013	Holzer	D14/171
D676,413 S *	2/2013	Poandl	D14/171
D709,856 S *	7/2014	Holzer	D14/171
D710,819 S *	8/2014	Poandl	D14/171
D721,350 S *	1/2015	Kim	D14/188
D726,682 S *	4/2015	Kim	D14/170
D730,865 S *	6/2015	Holzer	D14/171
D731,998 S *	6/2015	Holzer	D14/171
D748,605 S *	2/2016	McManigal	D14/214
D756,325 S *	5/2016	Poandl	D14/171
D761,227 S *	7/2016	Poandl	D14/171
D773,430 S *	12/2016	Holzer	D14/171

* cited by examiner

Primary Examiner — Susan Bennett Hattan

Assistant Examiner — Jennifer Wright

(74) *Attorney, Agent, or Firm* — Leason Ellis LLP

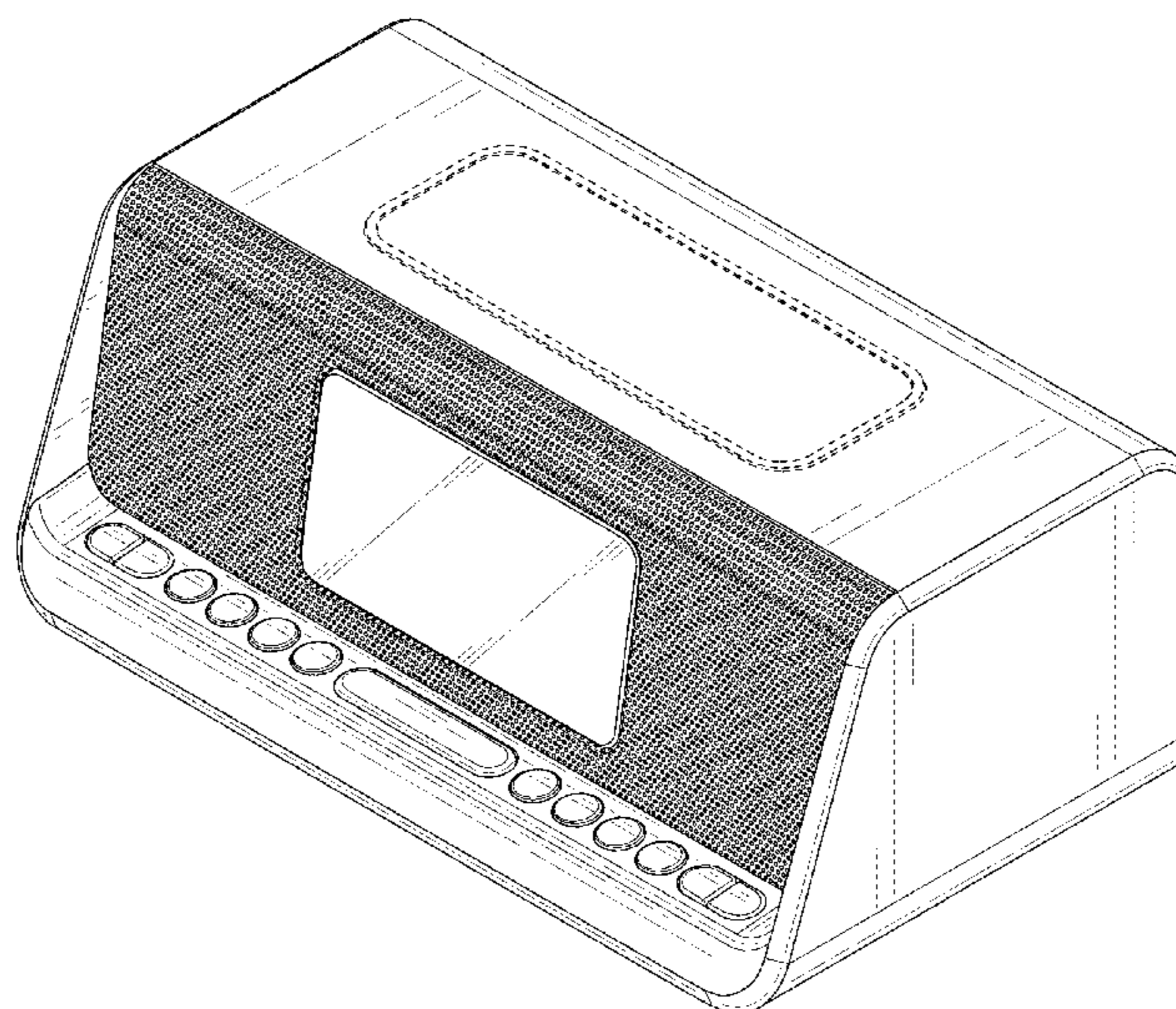
(57) **CLAIM**

The ornamental design for a clock having trapezoidal profile, as shown and described.

DESCRIPTION

FIG. 1 is a front perspective view of a clock having trapezoidal profile according to my new design; FIG. 2 is a front view of the design of FIG. 1; FIG. 3 is a rear view of the design of FIG. 1; FIG. 4 is a left side view of the design of FIG. 1; FIG. 5 is a right side view of the design of FIG. 1; FIG. 6 is a top view of the design of FIG. 1; and, FIG. 7 is a bottom view of the design of FIG. 1. The broken lines depict parts of the clock having trapezoidal profile that form no part of the claimed design. Conventional contour lines and shading are illustrated for purposes of highlighting the solid-rendering, but form no part of the claimed design.

1 Claim, 7 Drawing Sheets



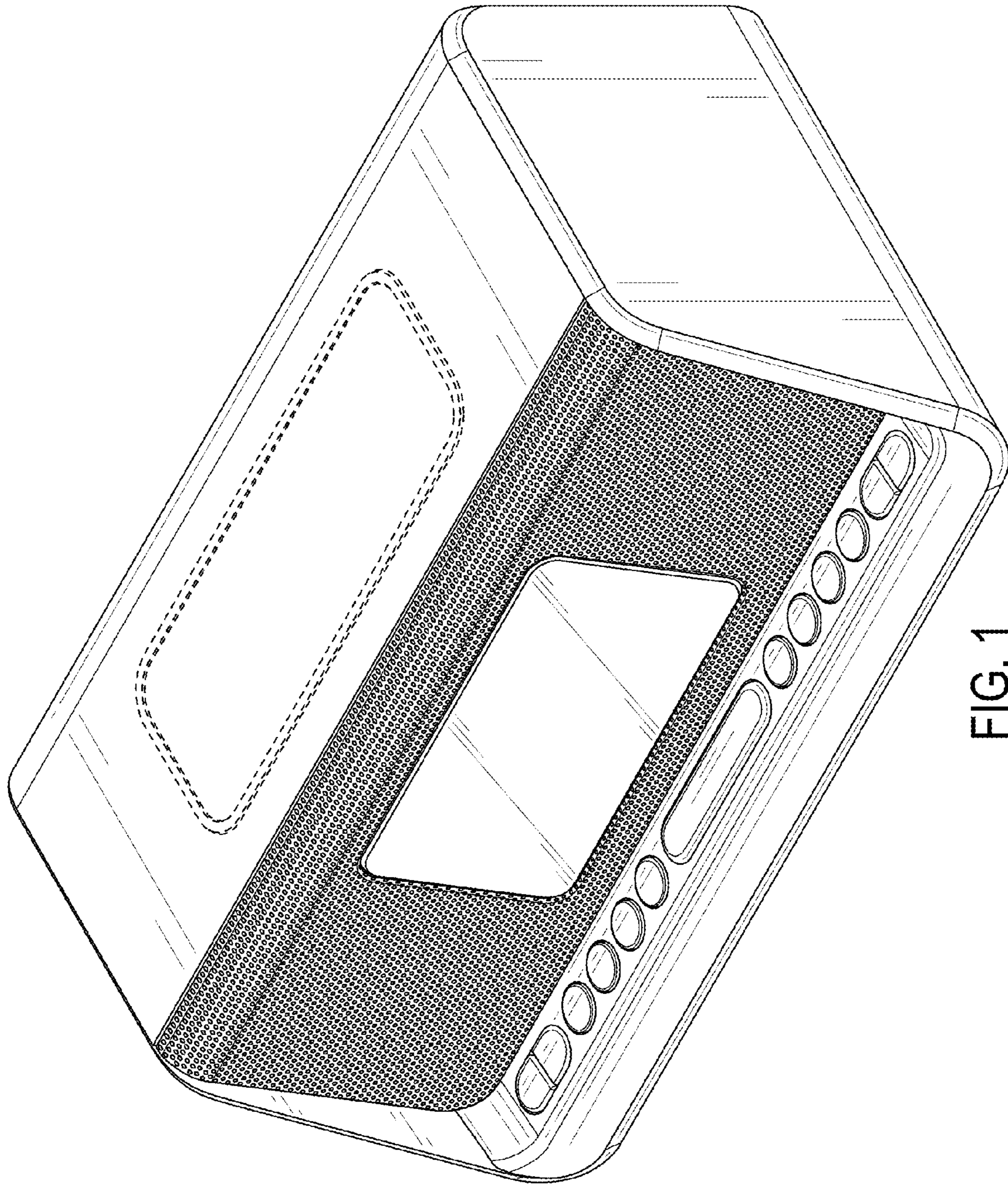


FIG. 1

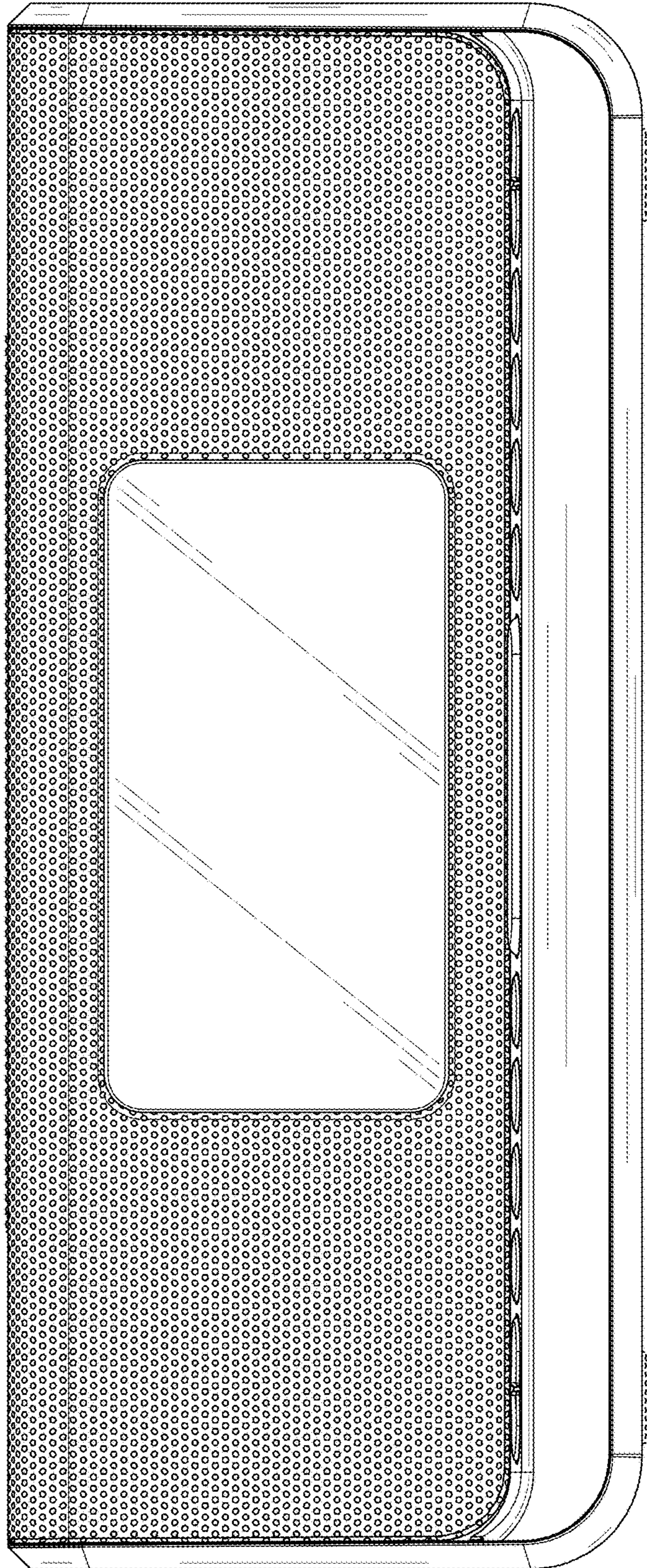


FIG. 2

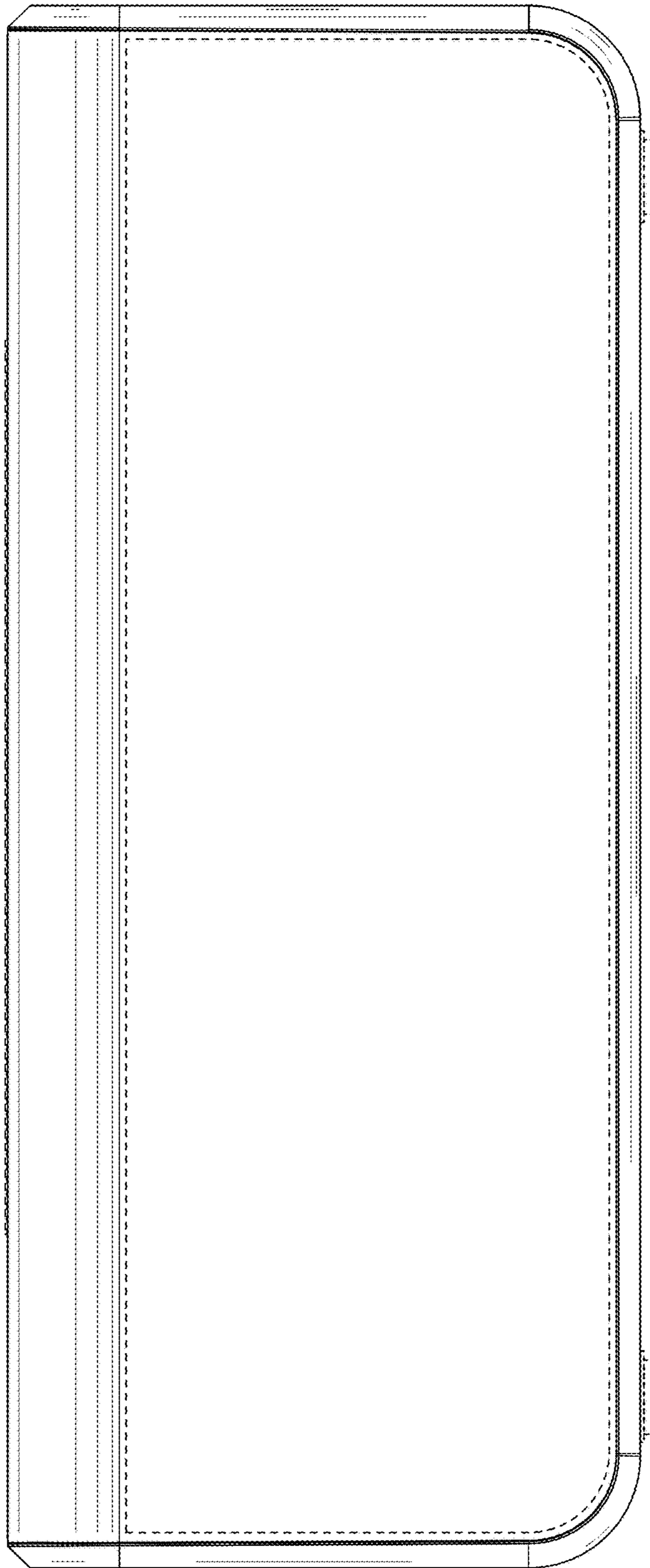


FIG. 3

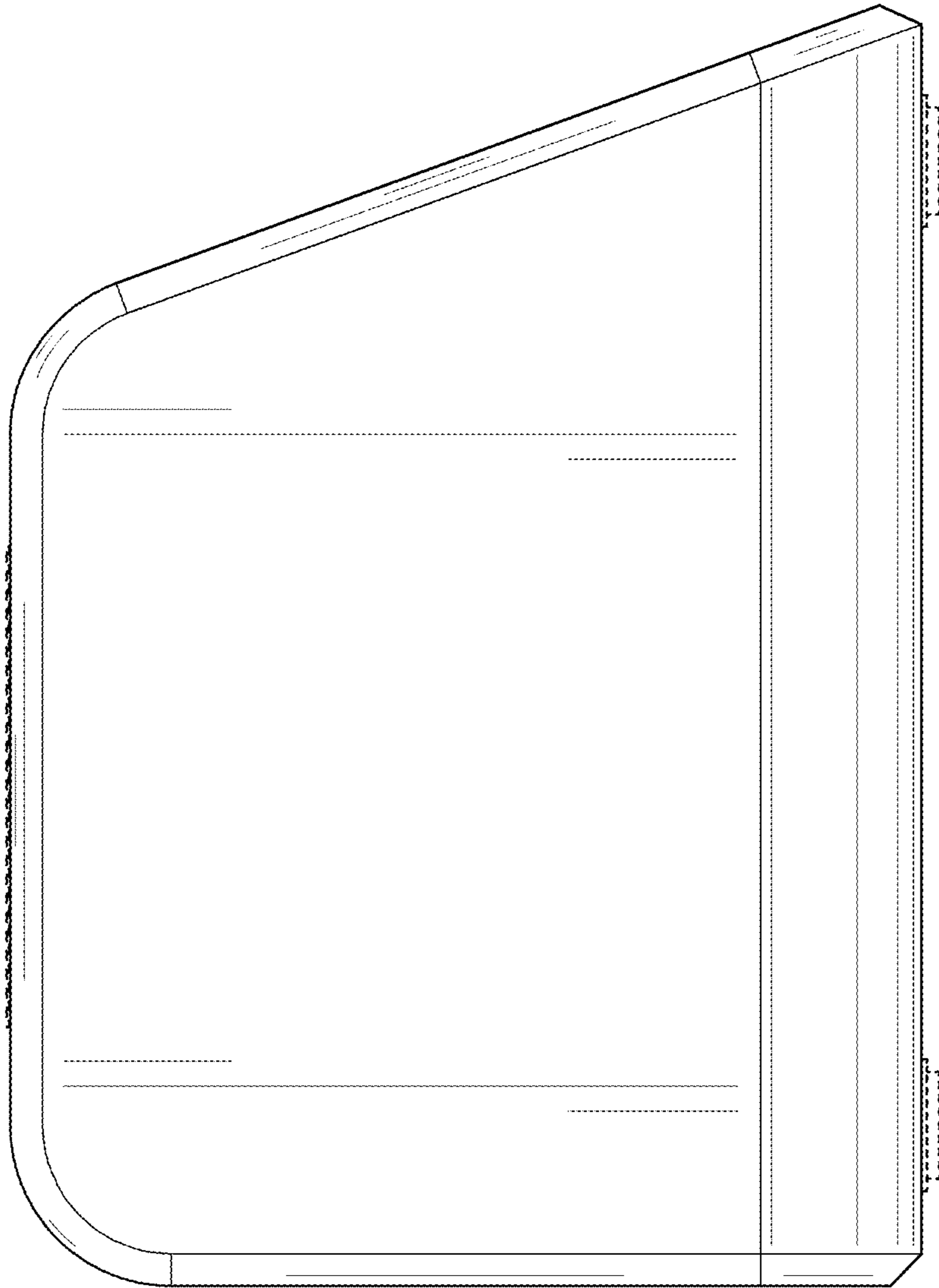


FIG. 4

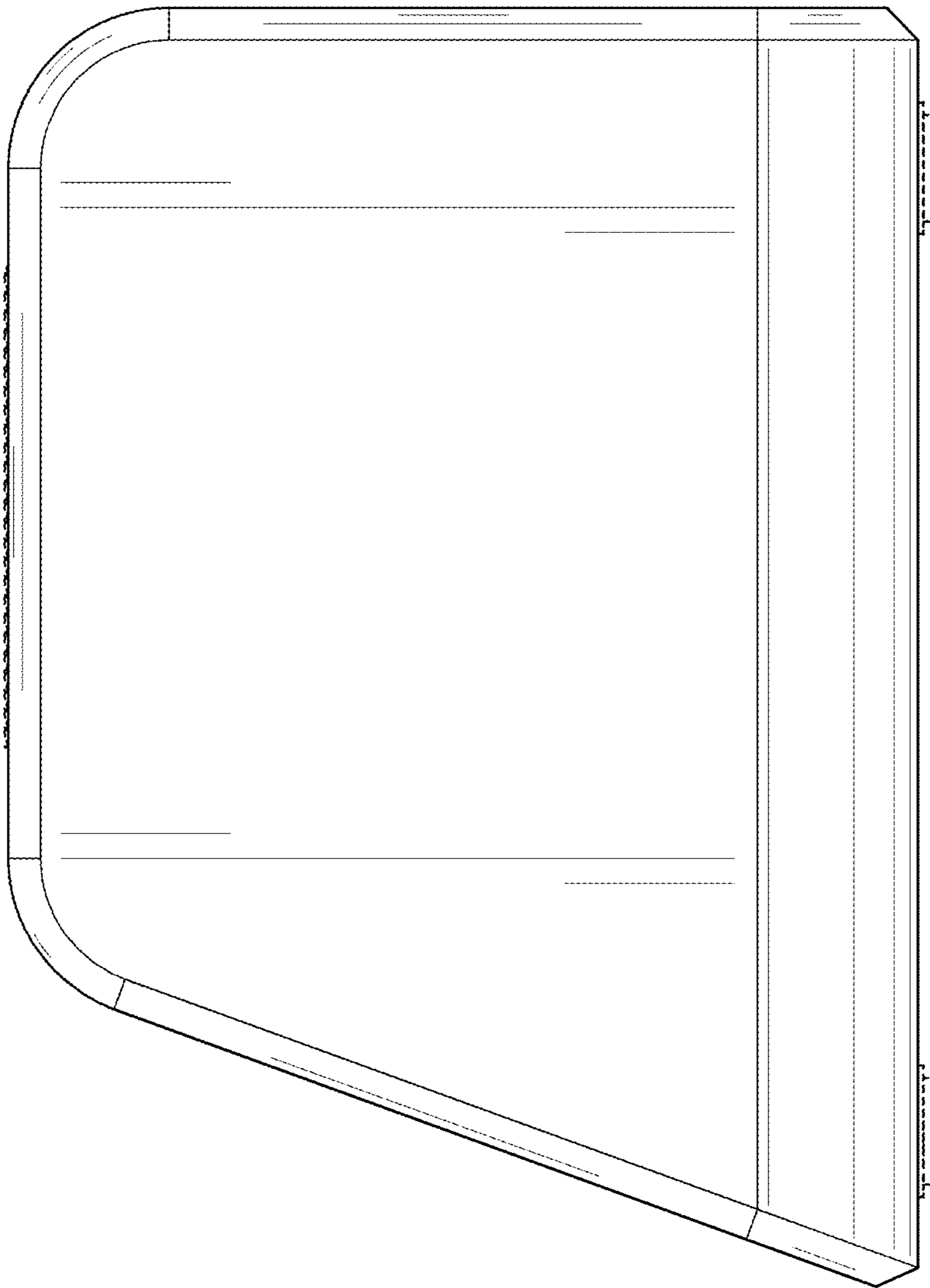


FIG. 5

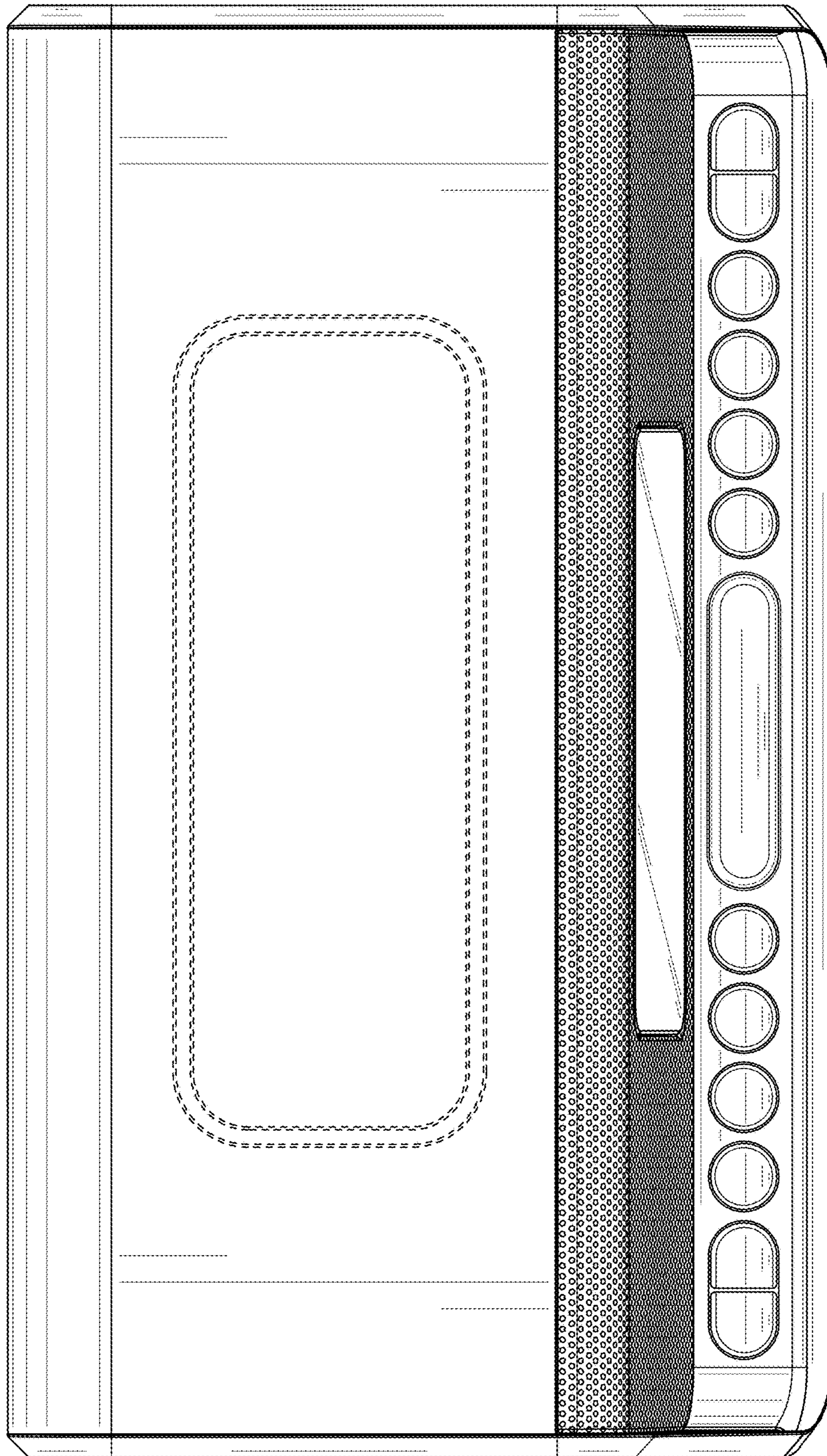


FIG. 6

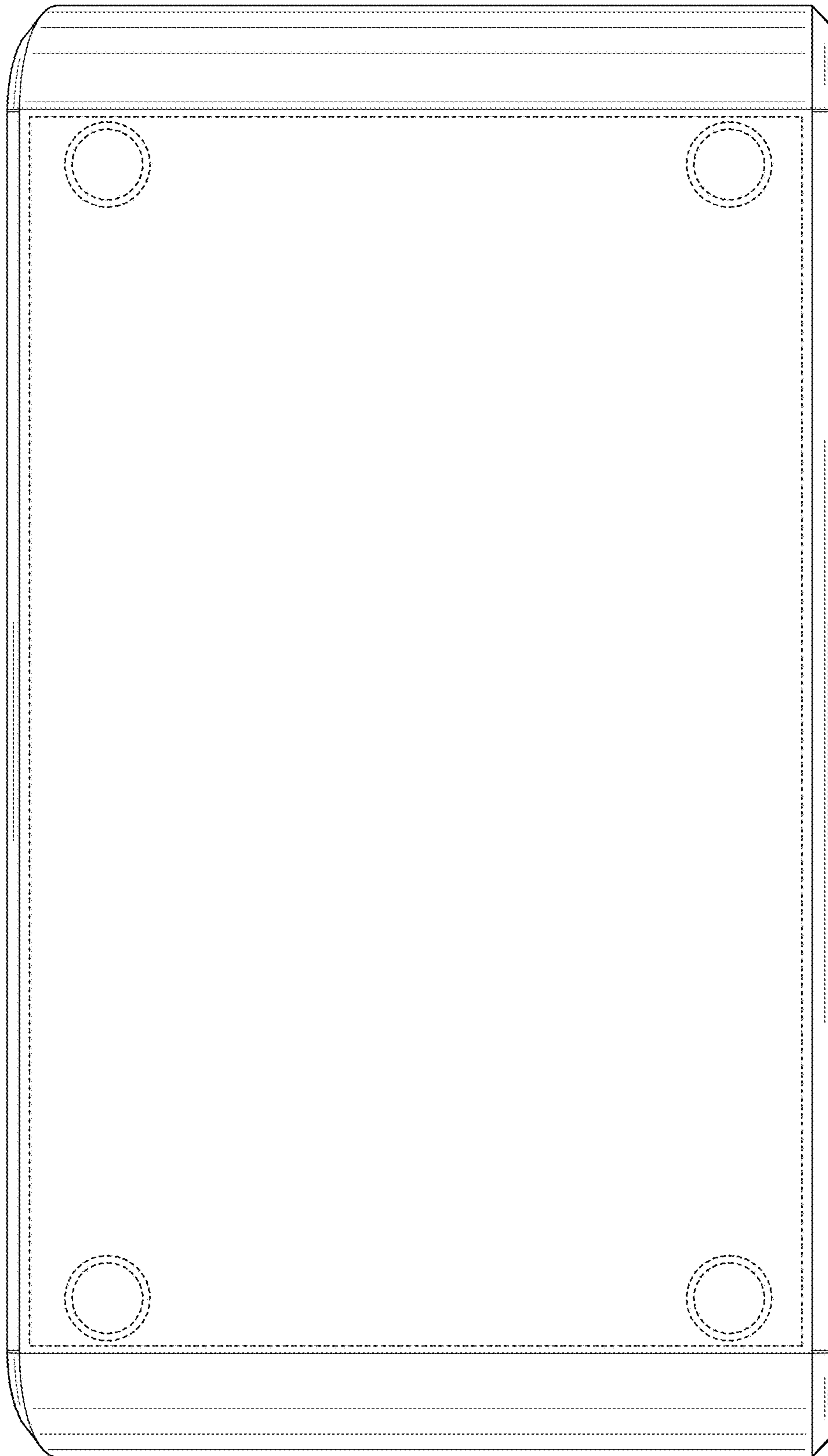


FIG. 7