



US00D784825S

(12) **United States Design Patent** (10) **Patent No.:** **US D784,825 S**
Cheich et al. (45) **Date of Patent:** **** Apr. 25, 2017**

(54) **DUNNAGE COVER**

1/32; H02B 1/34; H02B 1/38; H02B 1/40; H02B 1/46; H02B 1/52

(71) Applicant: **Ranpak Corp.**, Concord Township, OH (US)

See application file for complete search history.

(72) Inventors: **Robert C. Cheich**, Independence, OH (US); **Carrie Schlegel**, Ashtabula, OH (US)

(56) **References Cited**

U.S. PATENT DOCUMENTS

(73) Assignee: **Ranpak Corp.**, Concord Township, OH (US)

D315,078 S *	3/1991	Nikolaiczkyk	D7/300
D329,199 S *	9/1992	Corso	D9/418
D402,845 S *	12/1998	Hanzok	D6/610
D616,742 S *	6/2010	Lymn	D9/432
D618,091 S *	6/2010	Bizzell	D9/424
D619,891 S *	7/2010	Lymn	D9/432

(**) Term: **15 Years**

* cited by examiner

(21) Appl. No.: **29/532,629**

Primary Examiner — Abraham Bahta

(22) Filed: **Jul. 8, 2015**

(74) *Attorney, Agent, or Firm* — Renner, Otto, Boisselle and Sklar, LLP

(51) **LOC (10) Cl.** **09-05**

(52) **U.S. Cl.**
USPC **D9/708; D25/18**

(57) **CLAIM**

We claim the ornamental design for a dunnage cover, as shown and described.

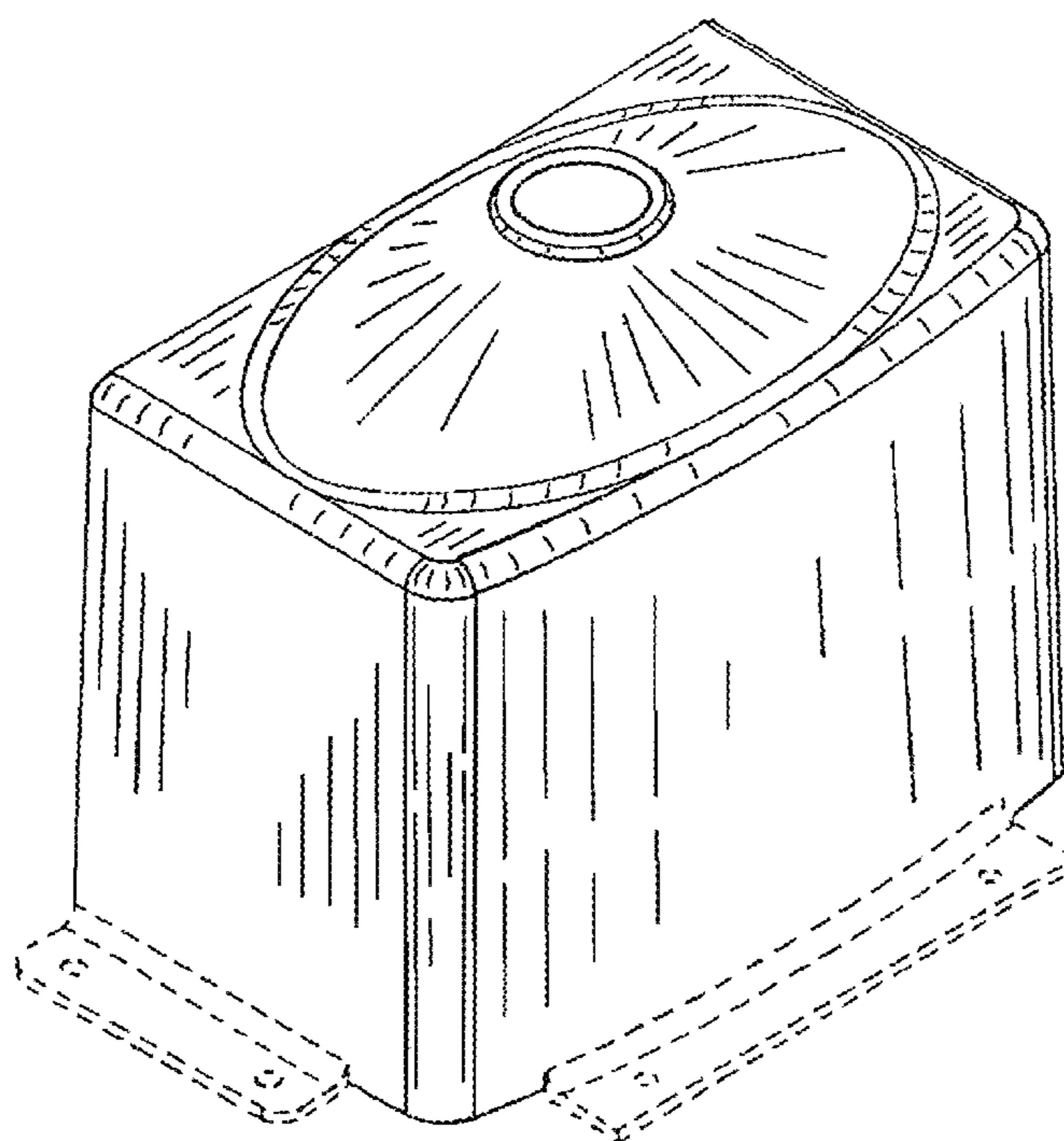
(58) **Field of Classification Search**

DESCRIPTION

USPC D9/702-714, 435, 443, 452, 453, 737, D9/499, 445, 721, 501, 436, 414-416, D9/424, 426, 428, 430-432; D3/304; D6/610, 616; D25/135, 18, 12, 15, 19, D25/31-33; 220/212, 213, 260, 287, 305, 220/660, 675, 700; 150/154, 165, 901
 CPC . B65D 1/00; B65D 1/22; B65D 1/225; B65D 5/00; B65D 5/0095; B65D 5/36; B65D 7/06; H02B 1/00; H02B 1/01; H02B 1/14; H02B 1/26; H02B 1/28; H02B 1/30; H02B 1/301; H02B 1/303; H02B 1/305; H02B 1/306; H02B 1/308; H02B

FIG. 1 is a perspective view of the dunnage cover showing our new design;
 FIG. 2 is a front view thereof;
 FIG. 3 is a right side view thereof;
 FIG. 4 is a rear view thereof;
 FIG. 5 is a left side view thereof,
 FIG. 6 is a top view thereof; and,
 FIG. 7 is a bottom view thereof.
 The broken lines shown form no part of our design.

1 Claim, 7 Drawing Sheets



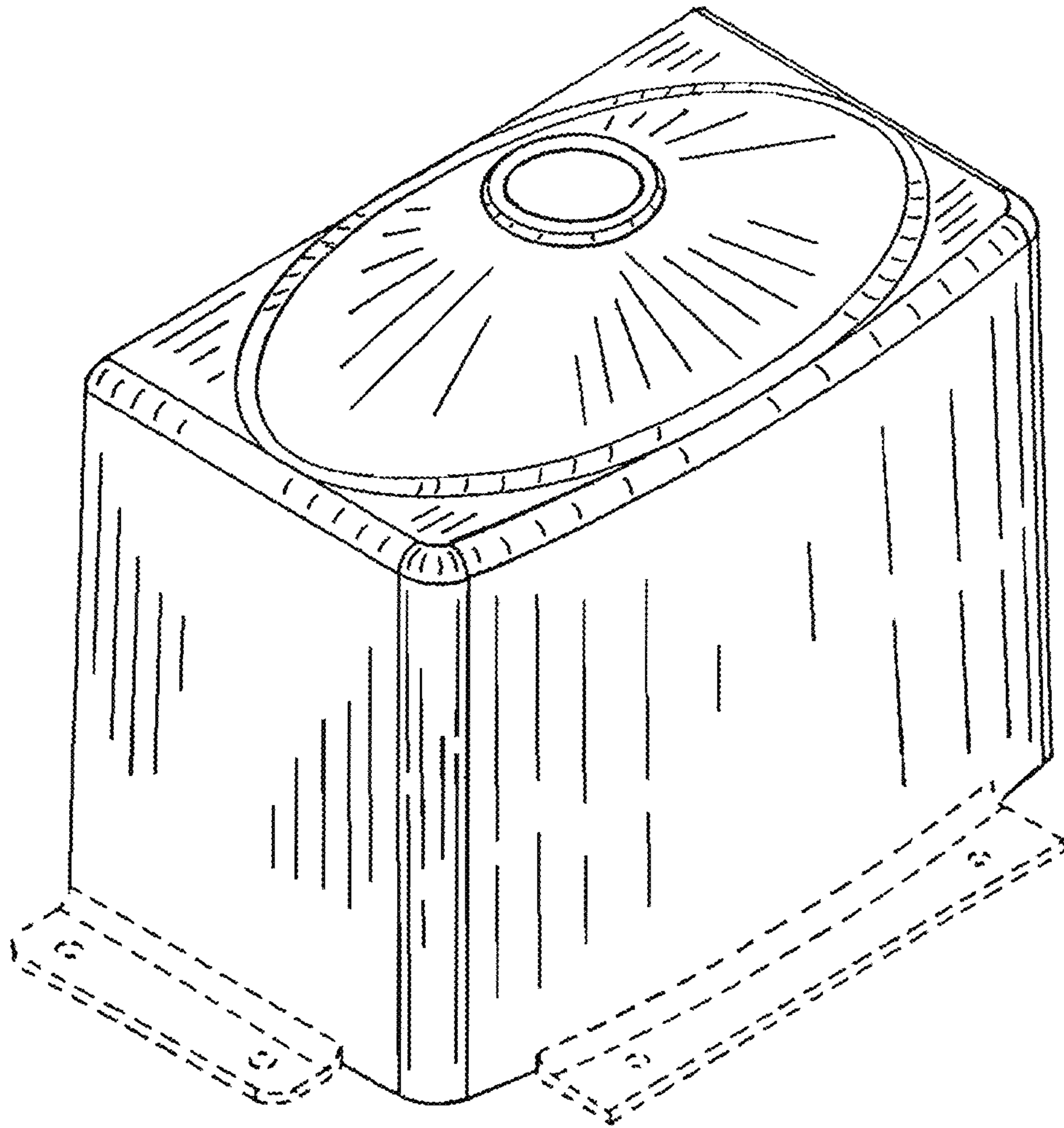


FIG. 1

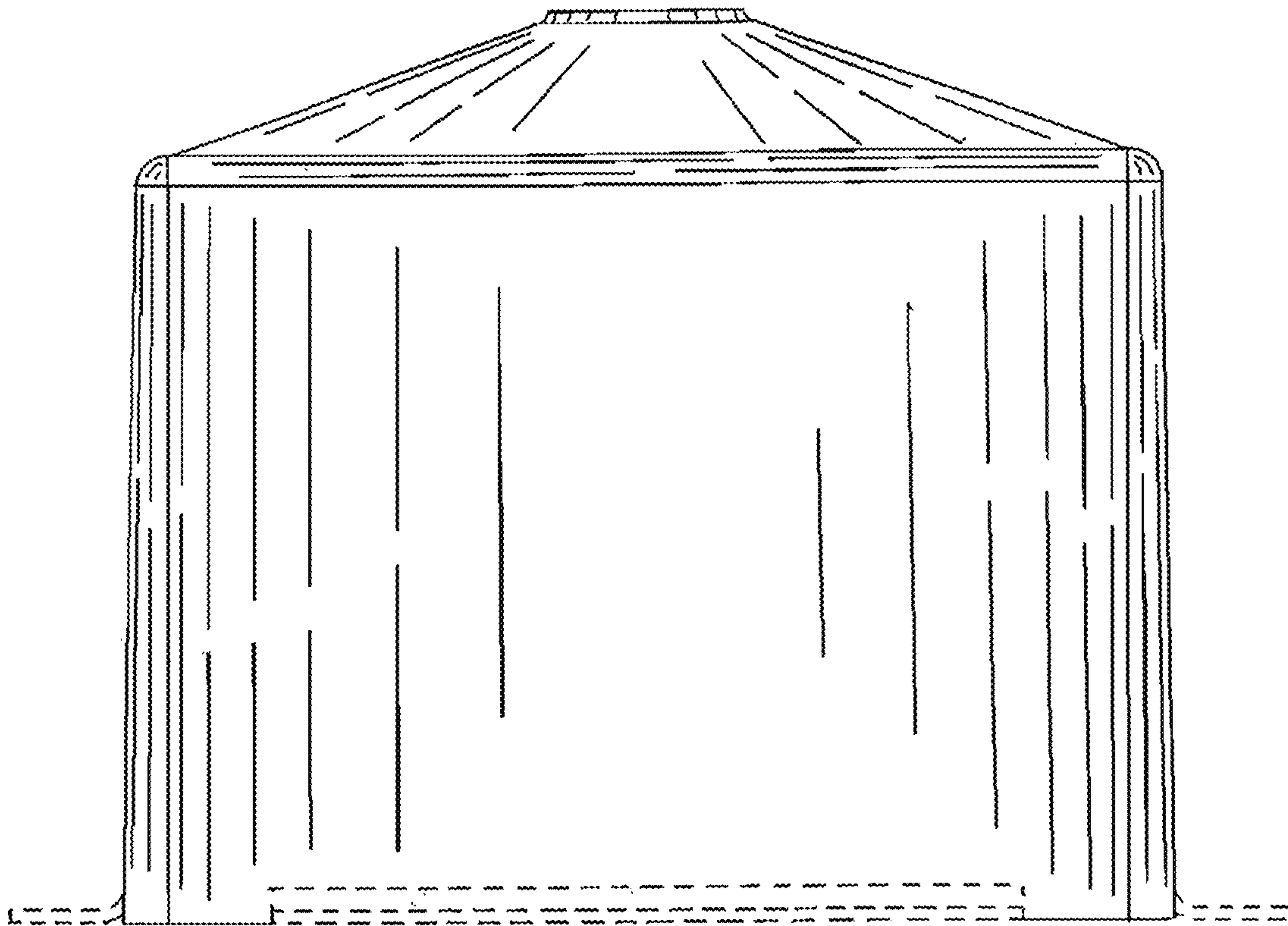


FIG. 2

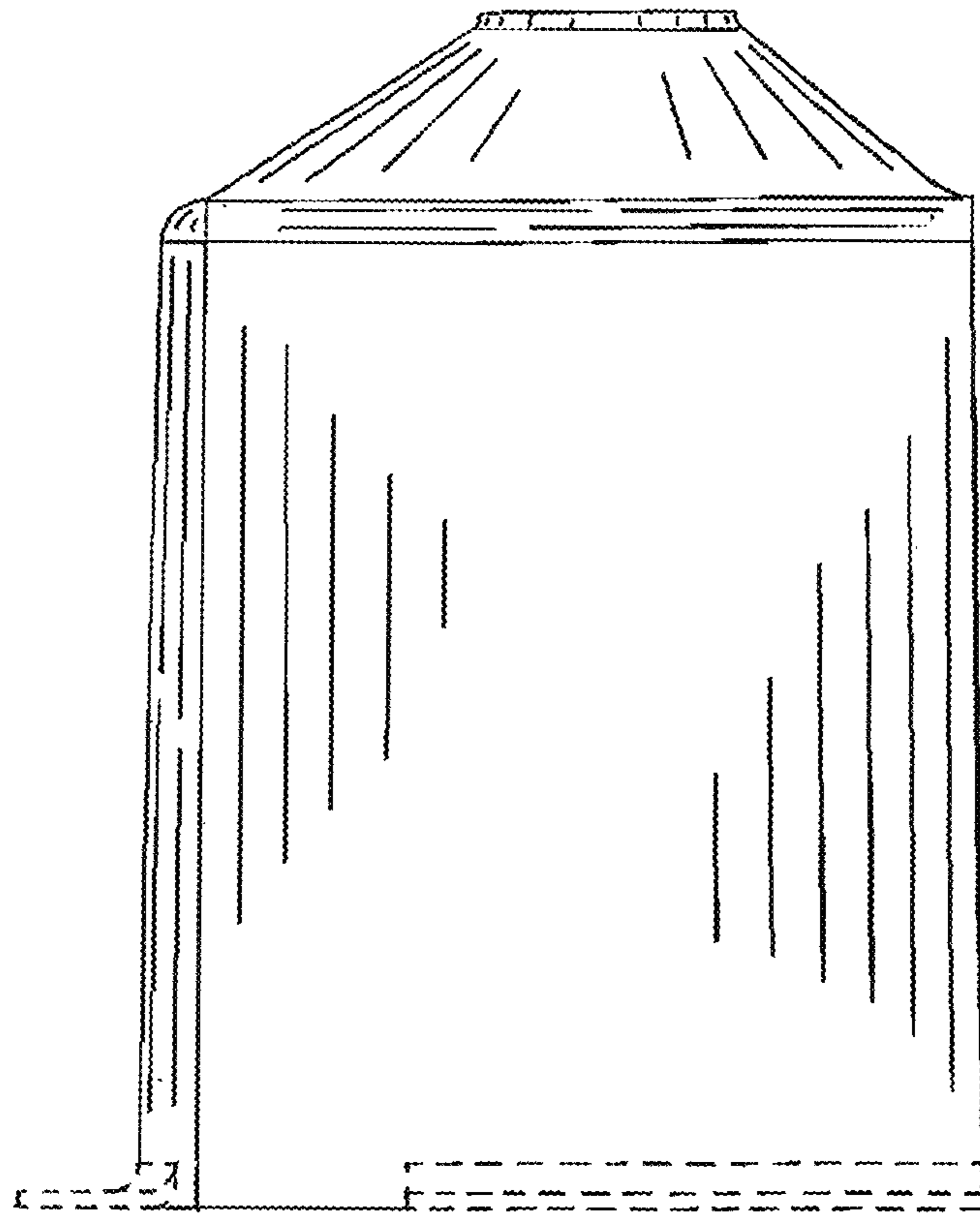


FIG. 3

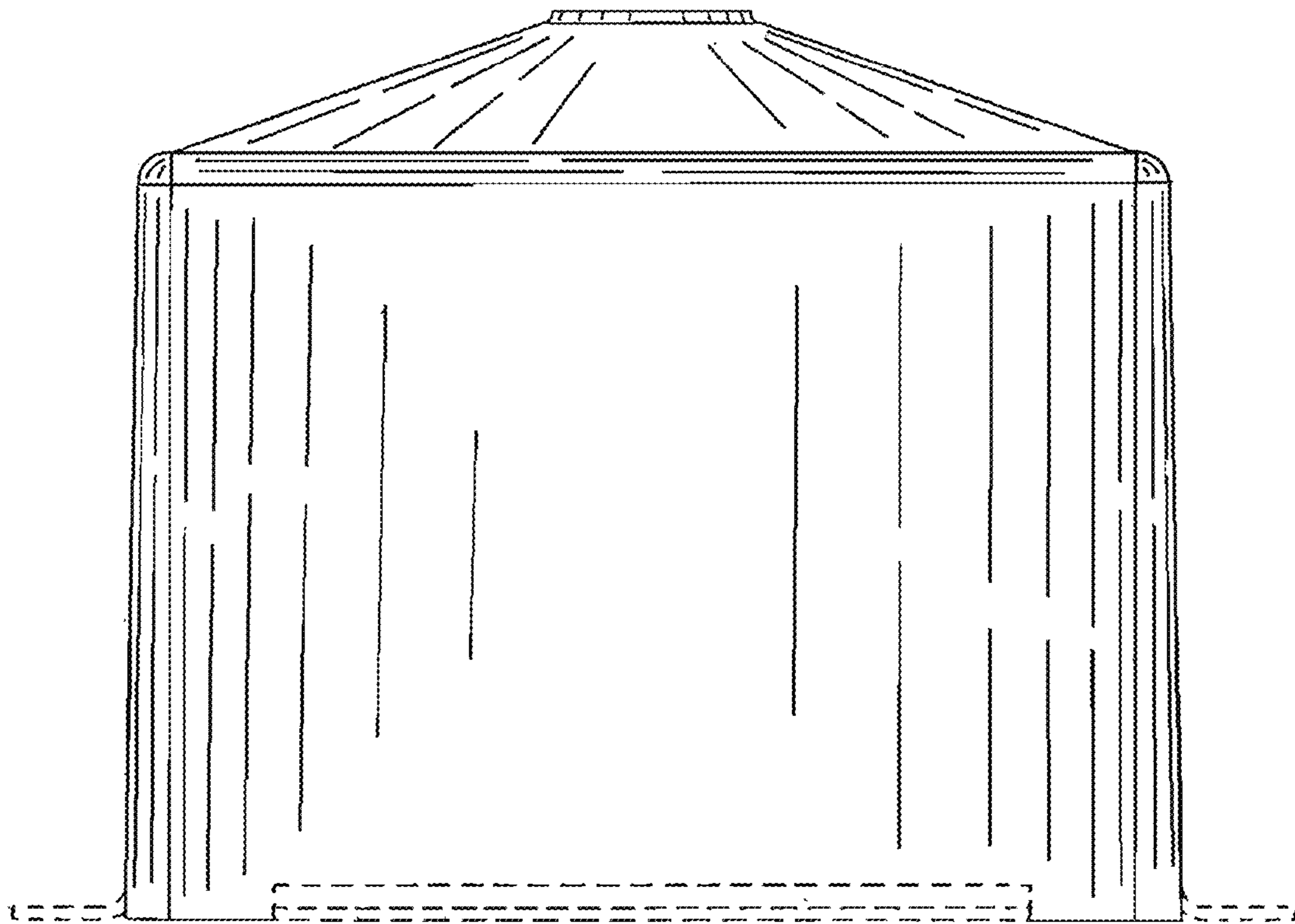


FIG. 4

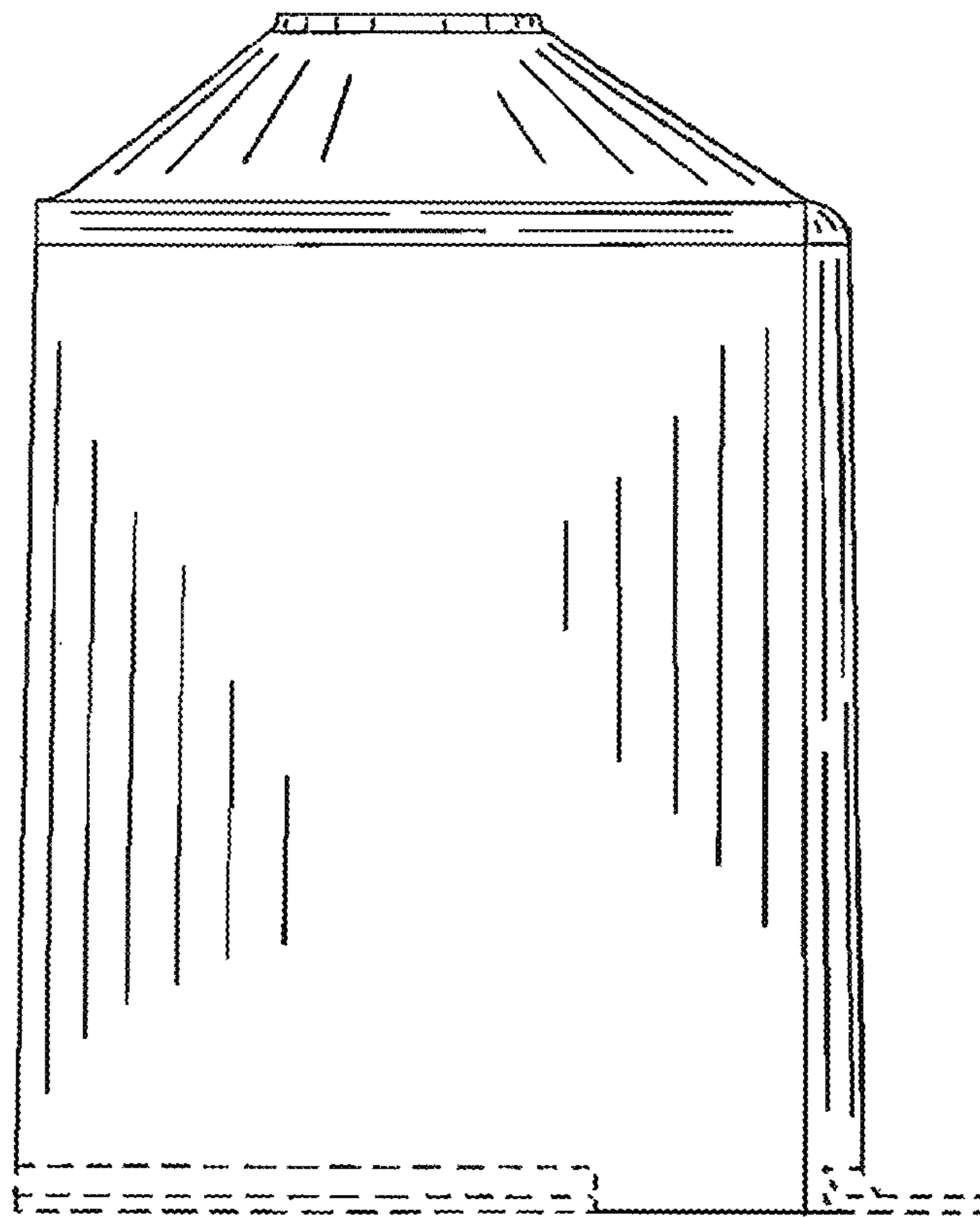


FIG. 5

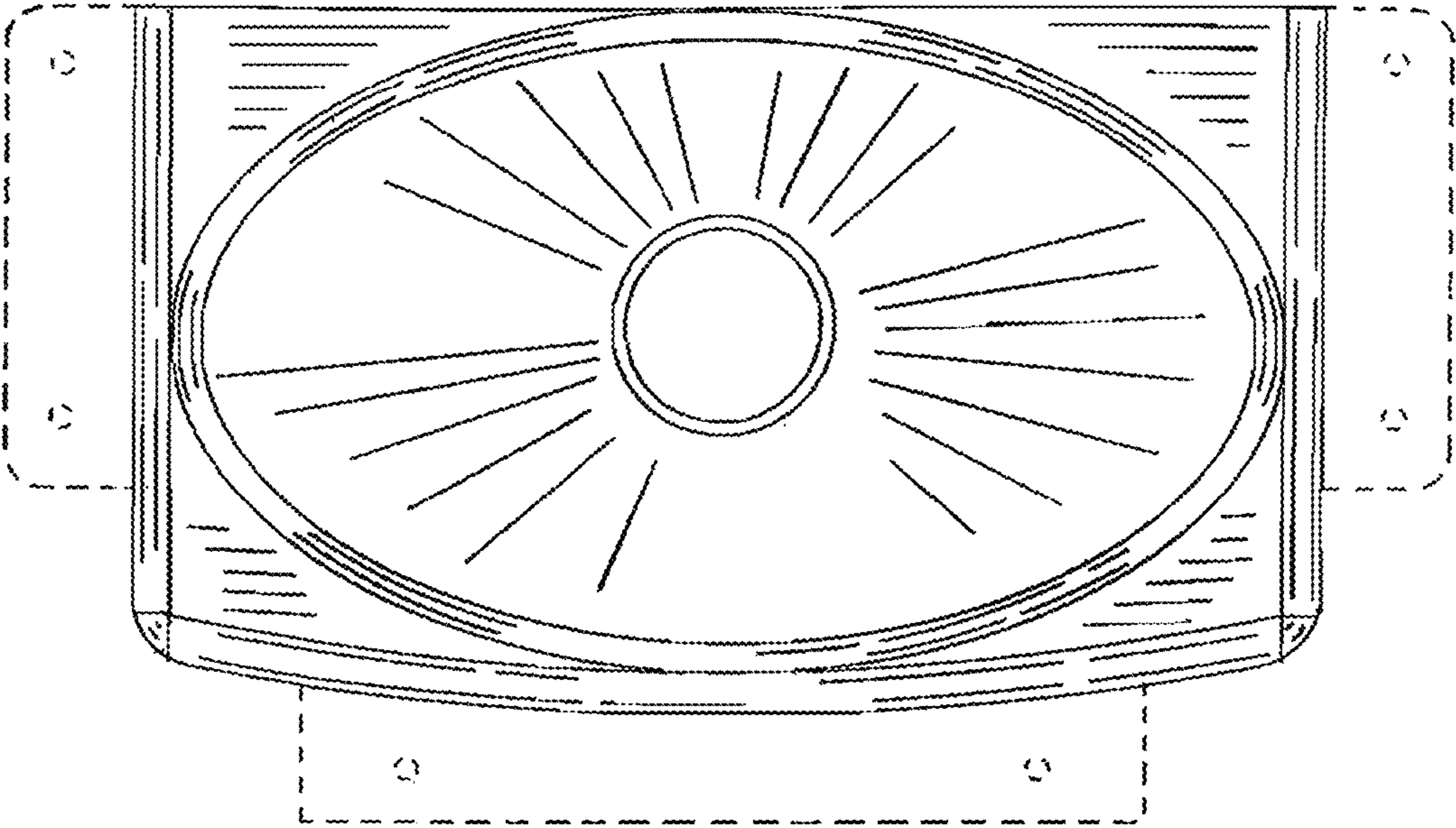


FIG. 6

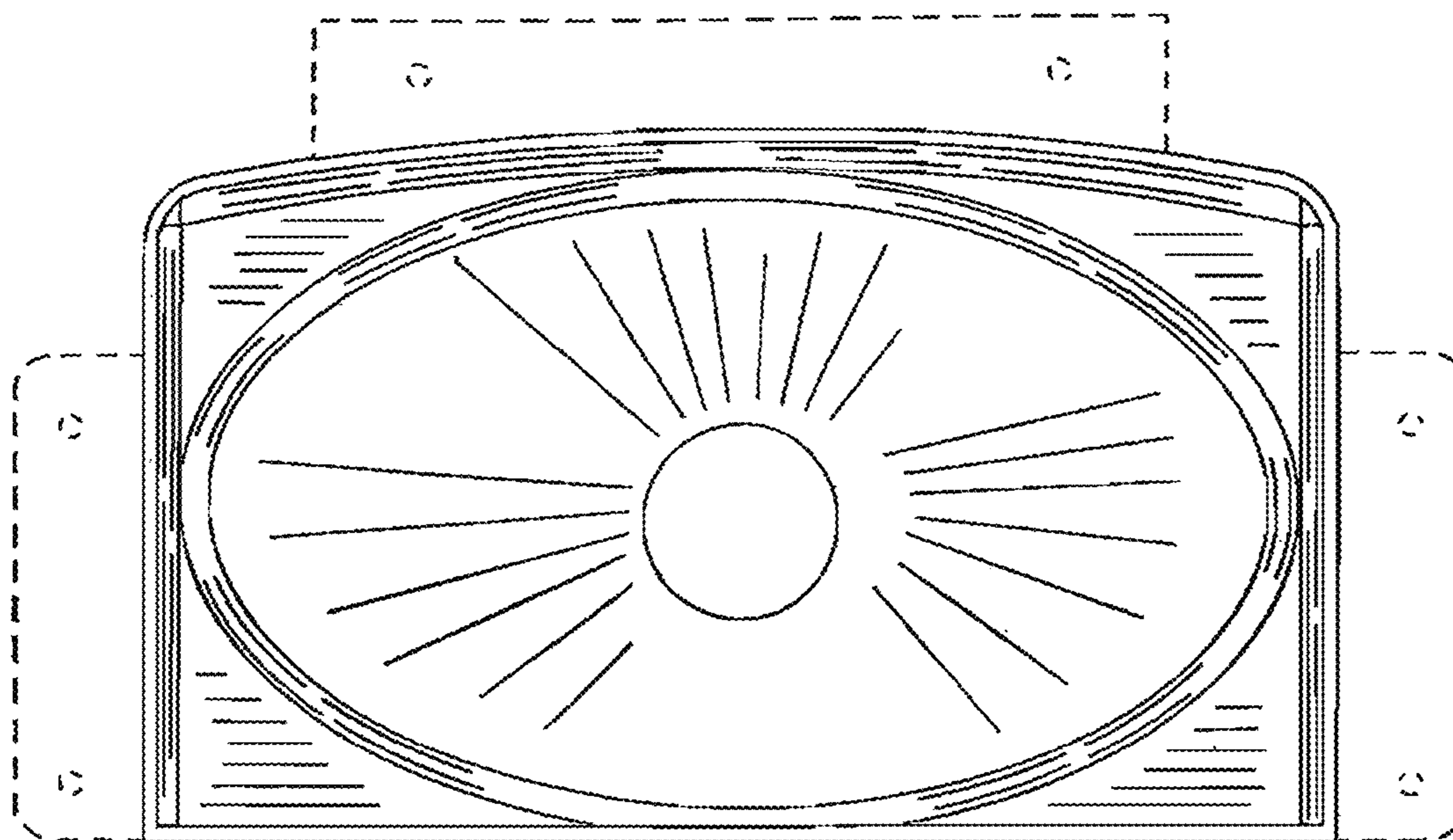


FIG. 7