



US00D784824S

(12) **United States Design Patent** (10) **Patent No.:** **US D784,824 S**  
**Ross** (45) **Date of Patent:** **\*\* Apr. 25, 2017**

(54) **RECLOSABLE SHOPPING BAG**  
(71) Applicant: **Poly-America, L.P.**, Grand Prairie, TX (US)  
(72) Inventor: **Michael A. Ross**, West Lake, TX (US)  
(73) Assignee: **Poly-America, L.P.**, Grand Prairie, TX (US)  
(\*\*) Term: **15 Years**  
(21) Appl. No.: **29/547,991**  
(22) Filed: **Dec. 9, 2015**  
(51) **LOC (10) Cl.** ..... **09-05**  
(52) **U.S. Cl.**  
USPC ..... **D9/705**  
(58) **Field of Classification Search**  
USPC ..... D9/702-714, 430-434, 423, 499;  
D3/303, 202, 205, 221, 226, 246, 240,  
D3/304-315, 201, 276; 383/6, 105-120,  
383/127, 10; 220/915.1, 915.2, 592.01,  
220/773, 755; D7/601, 605-607,  
D7/709-710, 393, 394, 395, 602, 622,  
D7/624.2; 206/139, 428, 488, 427, 433,  
206/434, 432; 229/117.19, 116.5, 923,  
229/87.03, 87.18, 87.19, 117.09;  
150/100, 107; 493/226; 215/399, 396  
CPC ... B65D 1/00; B65D 1/22; B65D 1/44; B65D  
33/00; B65D 33/12; B65D 33/16; B65D  
31/00; B65D 31/10; B65D 5/00; B65D  
5/06; A45C 1/00; A45C 1/02; A45C 3/06;  
A45C 3/00; A45C 3/10  
See application file for complete search history.

3,800,361 A \* 4/1974 Stauffer ..... A45F 5/10  
16/411  
4,125,220 A 11/1978 Suominen  
4,932,556 A 6/1990 Hui et al.  
5,135,464 A 8/1992 Buchanan  
D350,689 S \* 9/1994 Chao ..... D3/303  
5,350,240 A 9/1994 Billman  
5,547,284 A 8/1996 Imer  
5,772,332 A 6/1998 Geller  
5,788,378 A 8/1998 Thomas  
5,882,120 A 3/1999 Bell  
D451,794 S 12/2001 Ichikawa  
6,325,543 B1 12/2001 Ausnit  
6,332,712 B1 12/2001 Headley  
D458,121 S 6/2002 Ichikawa  
D472,139 S \* 3/2003 Rizzuto, Jr. .... D9/709  
D502,390 S \* 3/2005 Ouchi ..... D9/705  
D546,520 S \* 7/2007 Glas ..... D34/1  
D576,888 S \* 9/2008 Helfman ..... D9/601  
D597,851 S \* 8/2009 Rea ..... D9/703

(Continued)

*Primary Examiner* — Abraham Bahta  
(74) *Attorney, Agent, or Firm* — Daniel J. Layden;  
Brandon J. Lee

(57) **CLAIM**

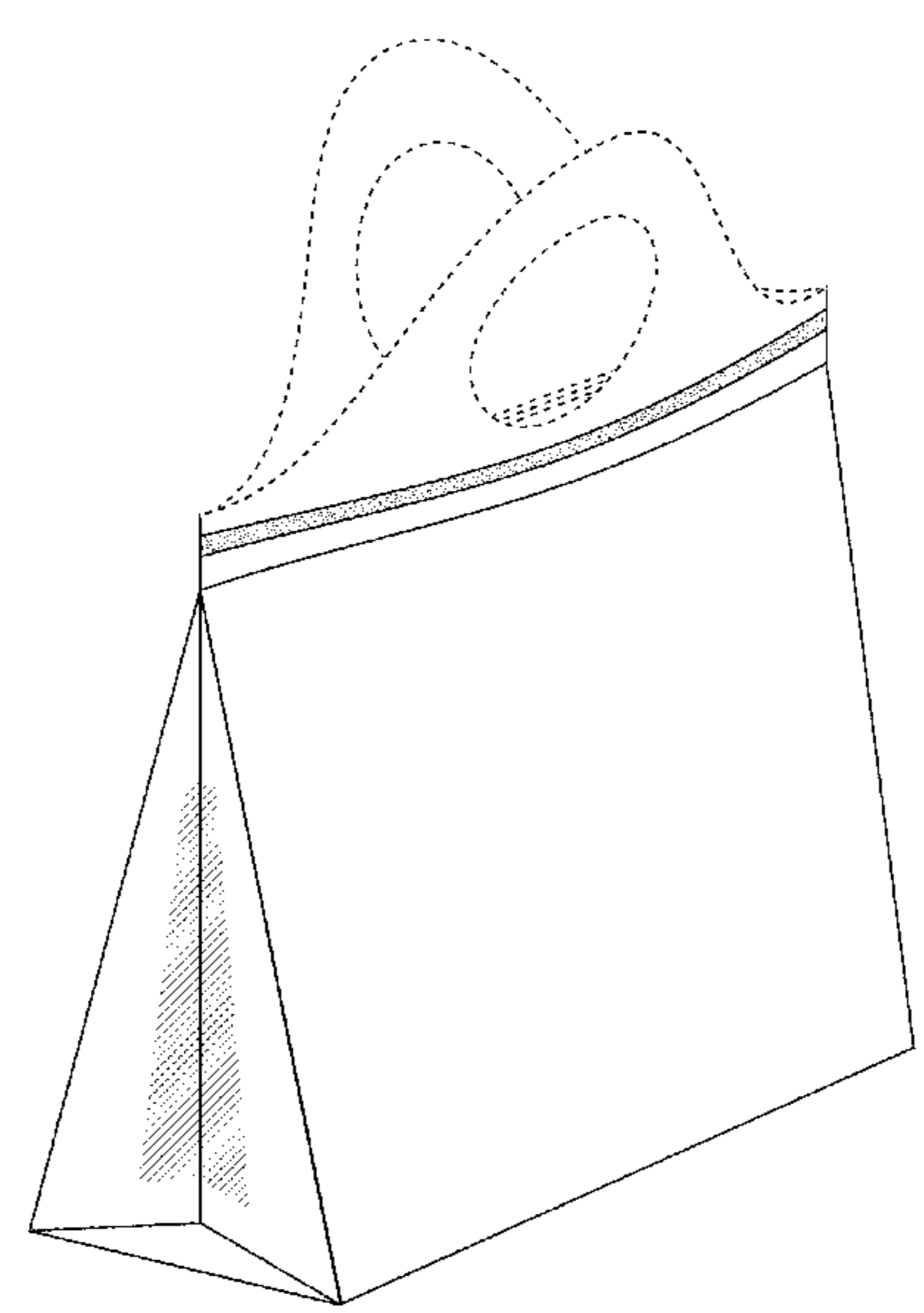
The ornamental design for a “reclosable shopping bag,” as shown and described.

**DESCRIPTION**

FIG. 1 is a front perspective view of a reclosable shopping bag embodying my new design;  
FIG. 2 is a top perspective view thereof;  
FIG. 3 is a front plan view thereof;  
FIG. 4 is a rear plan view thereof;  
FIG. 5 is a top plan view thereof; and,  
FIG. 6 is a bottom plan view thereof.  
The broken lines in the drawings are for illustrative purposes only and do not form a part of the claimed design. The stippling in the drawings disclose a contrasting surface.

**1 Claim, 5 Drawing Sheets**

(56) **References Cited**  
U.S. PATENT DOCUMENTS  
3,361,333 A 1/1968 Stuart  
3,402,749 A 9/1968 Kinzler



(56)

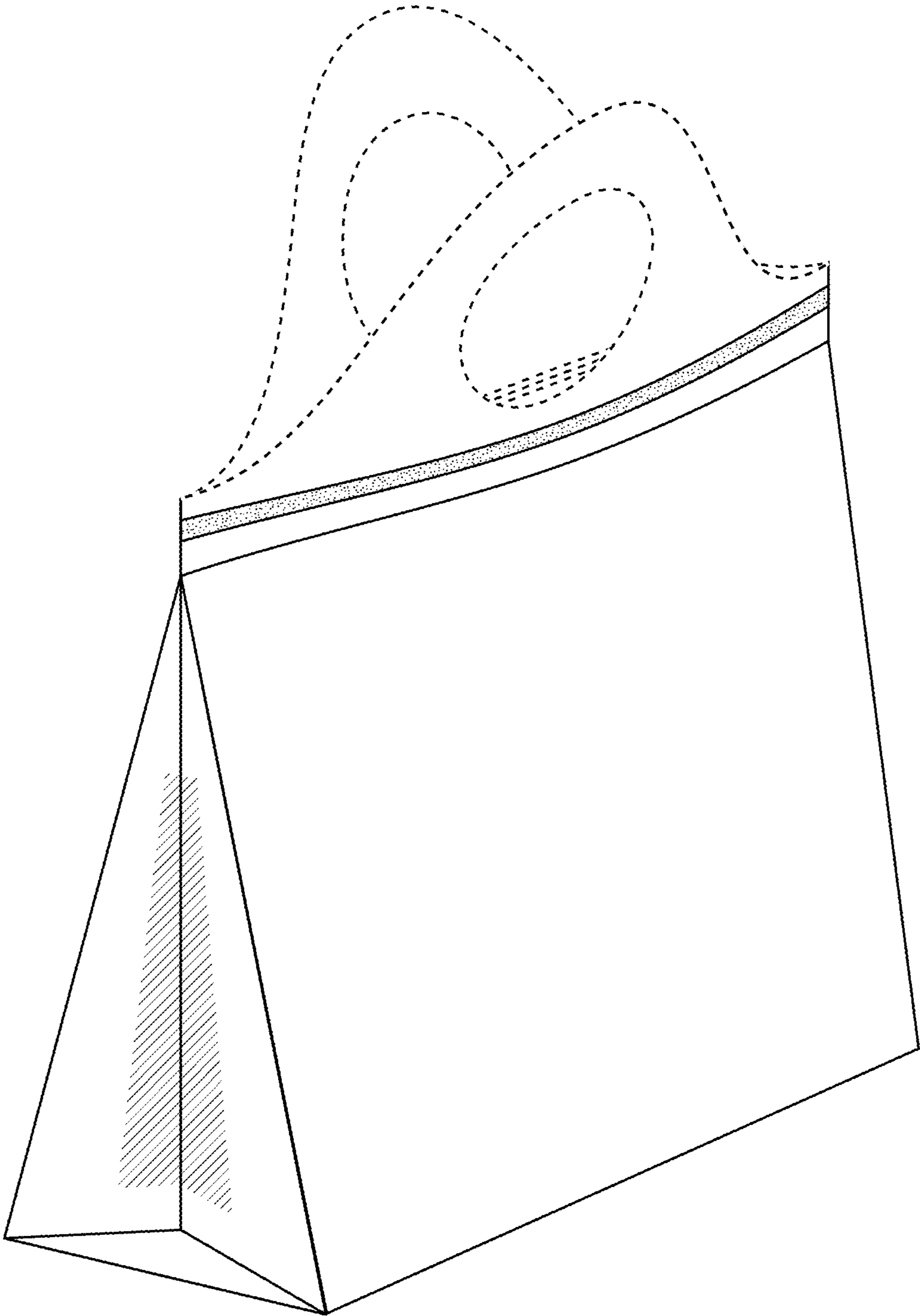
**References Cited**

U.S. PATENT DOCUMENTS

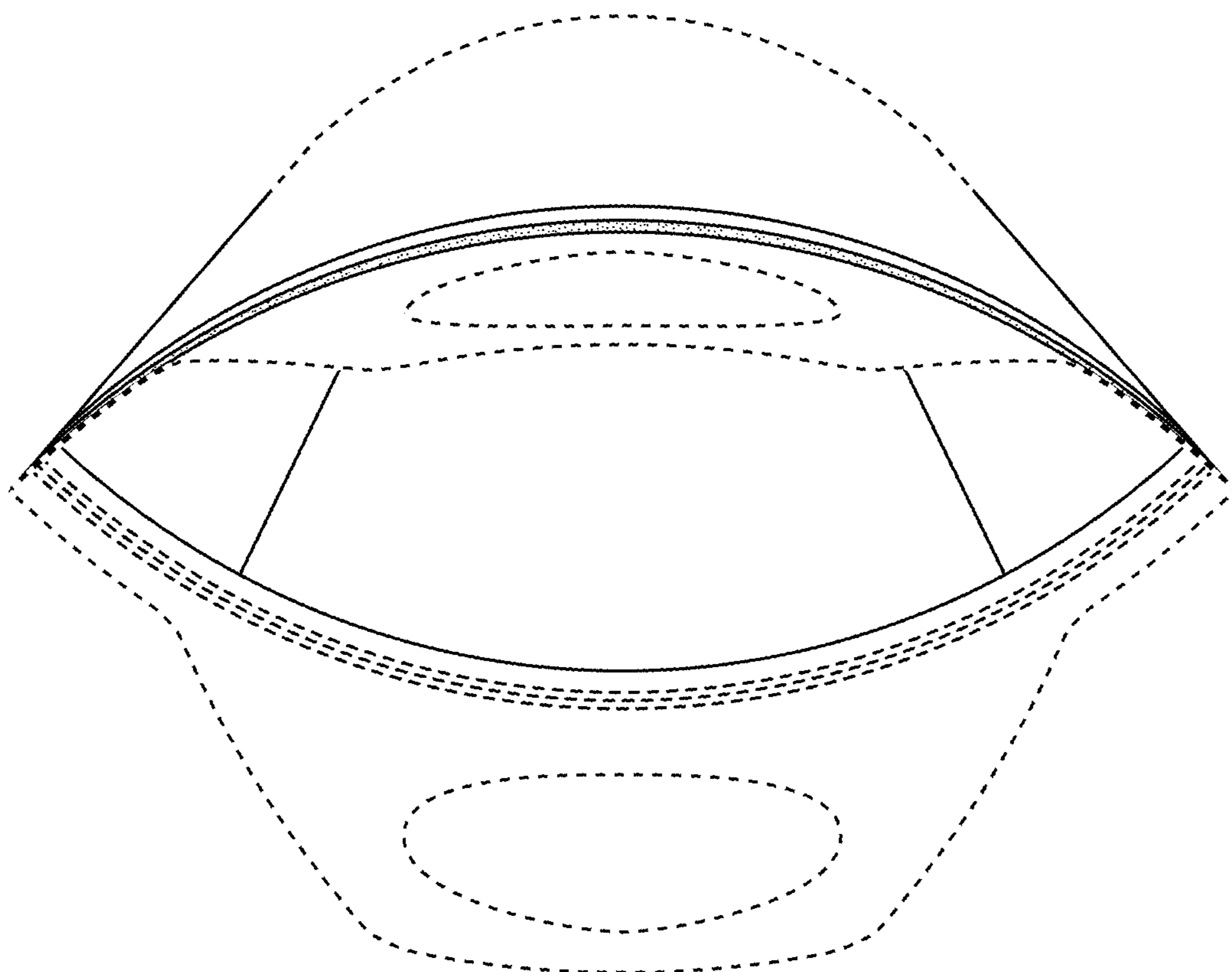
D625,613	S	*	10/2010	Cowan-Hughes	.....	D9/703
D698,133	S	*	1/2014	Callegarini	.....	D2/896
D730,745	S	*	6/2015	Cowan-Hughes	.....	D9/709
D752,988	S	*	4/2016	Brown	.....	D9/631
D760,597	S	*	7/2016	Cho	.....	D9/706
2002/0033396	A1		3/2002	Hupp et al.		
2004/0109617	A1		6/2004	Winiacki		
2004/0131284	A1		7/2004	Stolmeier		
2005/0041894	A1		2/2005	Hanson		
2005/0053315	A1		3/2005	Aasen		
2005/0238765	A1		10/2005	Weaver et al.		
2012/0292224	A1		11/2012	Matsushima et al.		
2013/0139473	A1		6/2013	Beer		

\* cited by examiner

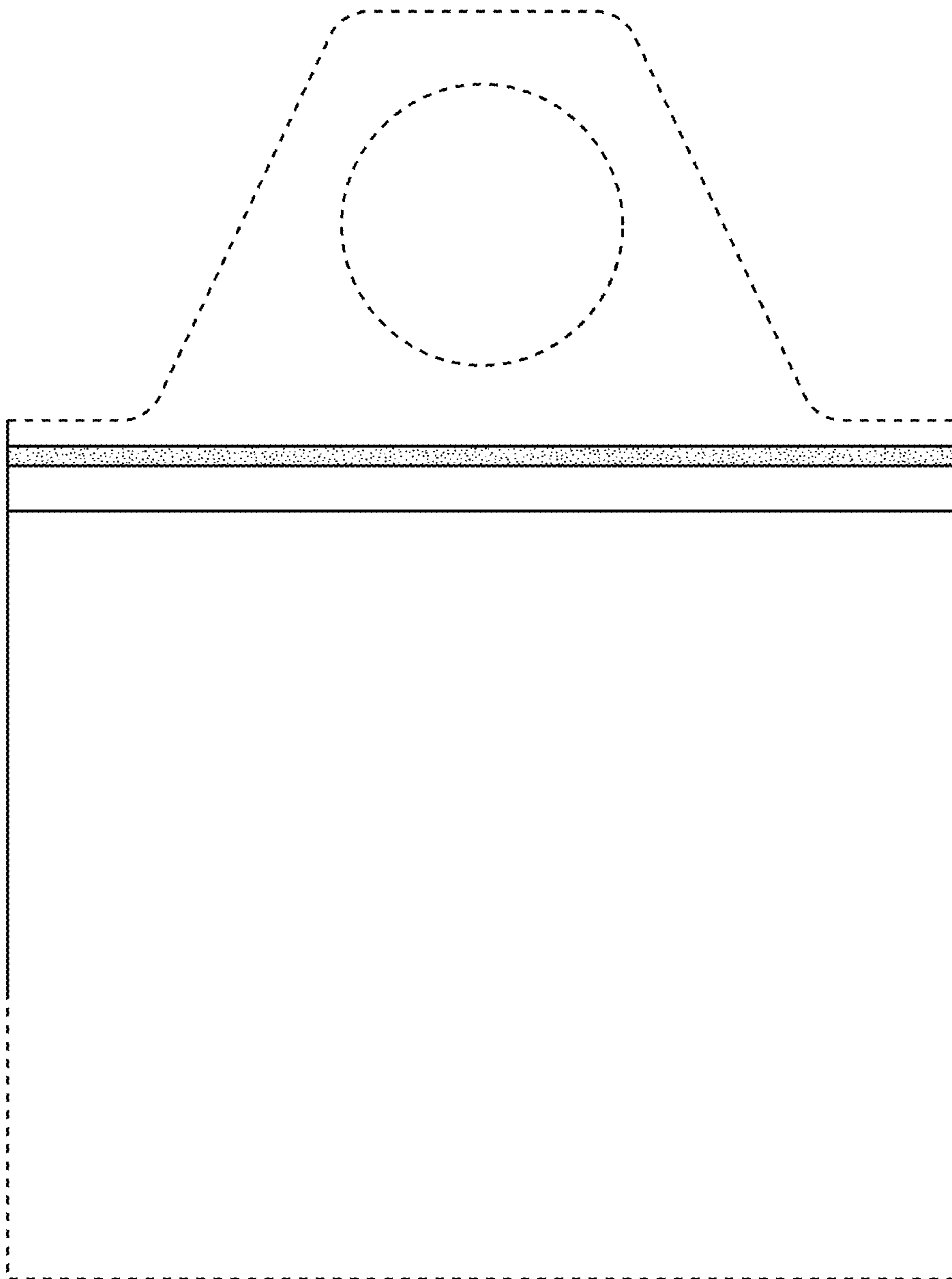
**Fig 1**



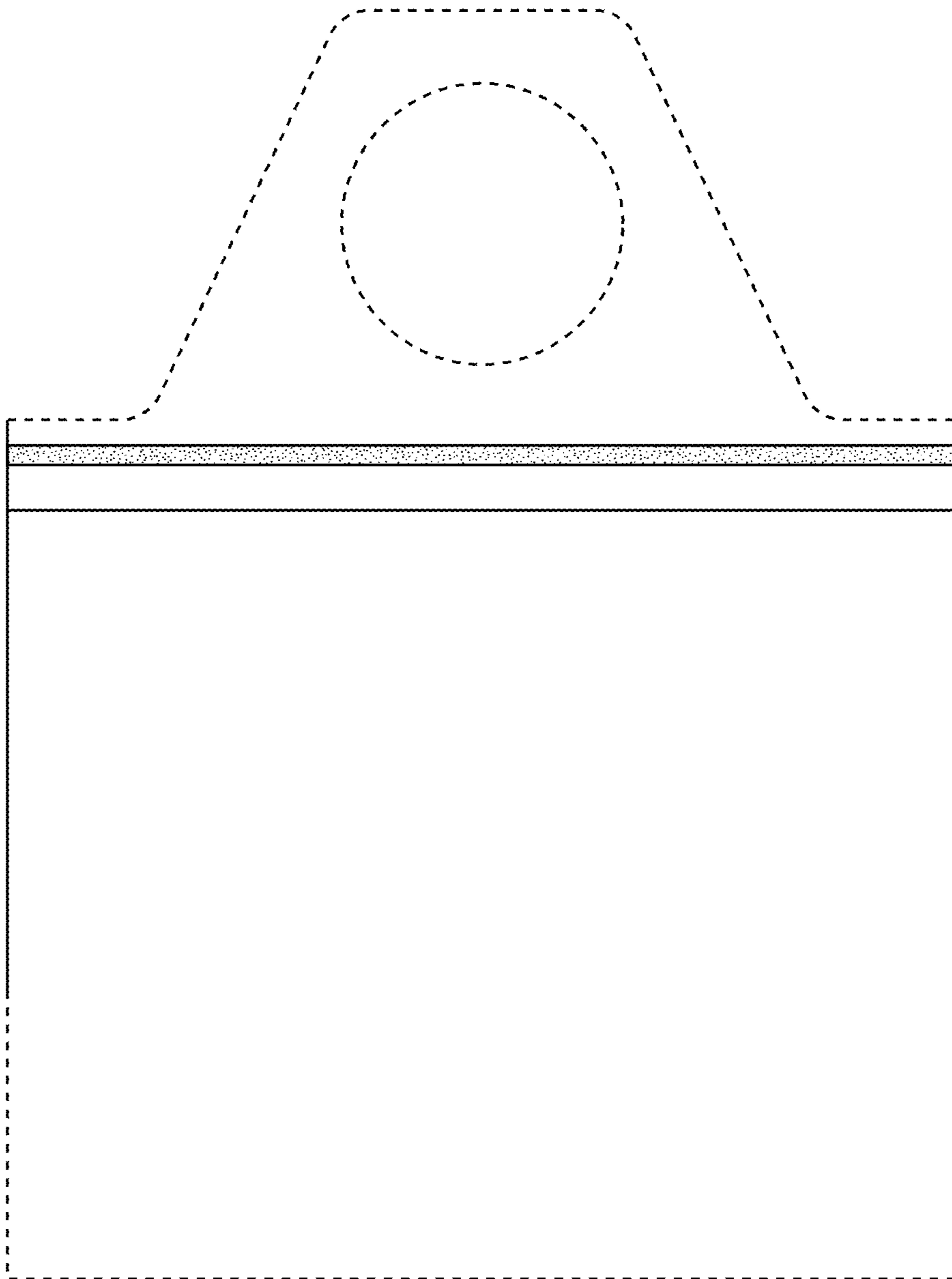
**Fig 2**



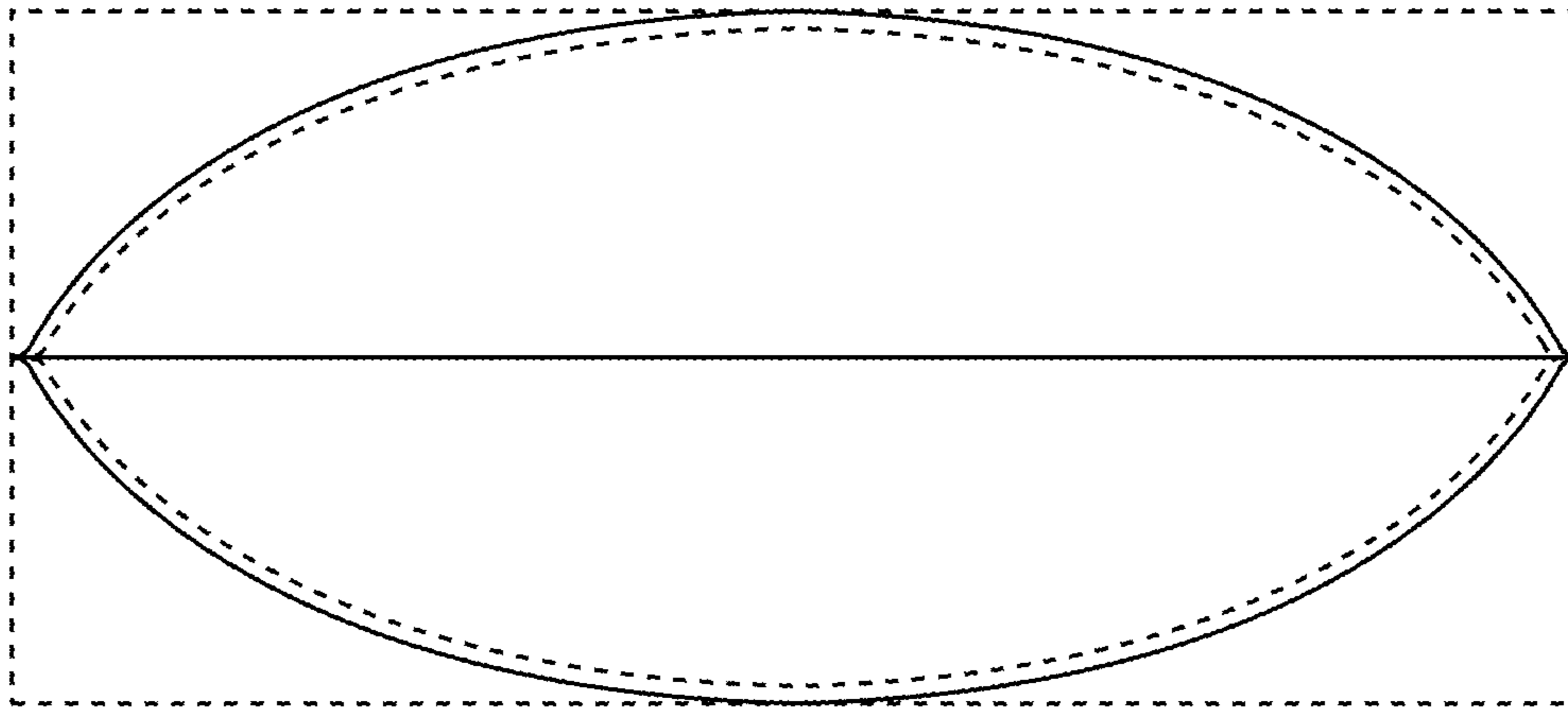
**Fig 3**



**Fig 4**



**Fig 5**



**Fig 6**

