



US00D784822S

(12) **United States Design Patent** (10) **Patent No.:** **US D784,822 S**
Yen et al. (45) **Date of Patent:** **** Apr. 25, 2017**

(54) **CONTAINER**

15/061; B65D 1/02; B65D 1/0223; B65D 1/40; B65D 2501/0081

(71) Applicant: **YUEN FOONG YU CONSUMER PRODUCTS CO., LTD.**, Taipei (TW)

See application file for complete search history.

(72) Inventors: **Ching-Wen Yen**, Taipei (TW); **Nelson Bilodeau**, Taipei (TW)

(56) **References Cited**

(73) Assignee: **YUEN FOONG YU CONSUMER PRODUCTS CO., LTD.**, Taipei (TW)

U.S. PATENT DOCUMENTS

(**) Term: **15 Years**

D101,919 S *	11/1936	Leach	D9/544
D104,881 S *	6/1937	Rosengart	604/301
D252,672 S *	8/1979	Aldrich, III	D9/542
D259,098 S *	5/1981	Lauren	D9/545
D337,496 S *	7/1993	Laubach	D9/448
D355,369 S *	2/1995	Lund	D9/558

(Continued)

(21) Appl. No.: **29/562,815**

FOREIGN PATENT DOCUMENTS

(22) Filed: **Apr. 29, 2016**

CN	302828936	*	5/2014
CN	303284653	*	7/2015

(Continued)

(30) **Foreign Application Priority Data**

Nov. 24, 2015 (TW) 104306537

(51) **LOC (10) Cl.** **09-01**

(52) **U.S. Cl.**
USPC **D9/574**

(58) **Field of Classification Search**
USPC D9/300, 318, 432, 447-448, 500, D9/502-504, 516, 520, 522, 523, 526, D9/528, 529, 530, 531, 533, 537, D9/538-540, 541-545, 549, 550-552, D9/556-559, 560, 563-565, 569, D9/570-575, 652, 682, 685-686, 715, D9/719; 215/379, 381-385, 387, 396, 215/398; 220/660, 662, 666, 669-675
CPC . B05B 11/001; B05B 11/007; B05B 11/0005; B05B 11/0037; B05B 11/0078; B05B 11/0097; B05B 11/3002; B05B 11/3009; B05B 11/3011; B05B 11/3012; B05B 11/3014; B05B 11/3015; B05B 11/3029; B05B 11/303; B05B 11/3032; B05B 11/3043; B05B 11/3045-11/3047; B05B 11/3049; B05B 11/3056; B05B 11/3057; B05B 11/3059; B05B 9/085; B05B 9/0861; B05B 9/0888; B05B 15/06; B05B

Primary Examiner — Catherine Tuttle

Assistant Examiner — Mary Malley

(74) *Attorney, Agent, or Firm* — Chieh-Mei Wang

(57) **CLAIM**

The ornamental design for a container, as shown and described.

DESCRIPTION

FIG. 1 is a perspective view of a container showing the new design;

FIG. 2 is a front view thereof;

FIG. 3 is a rear view thereof;

FIG. 4 is a right side view thereof;

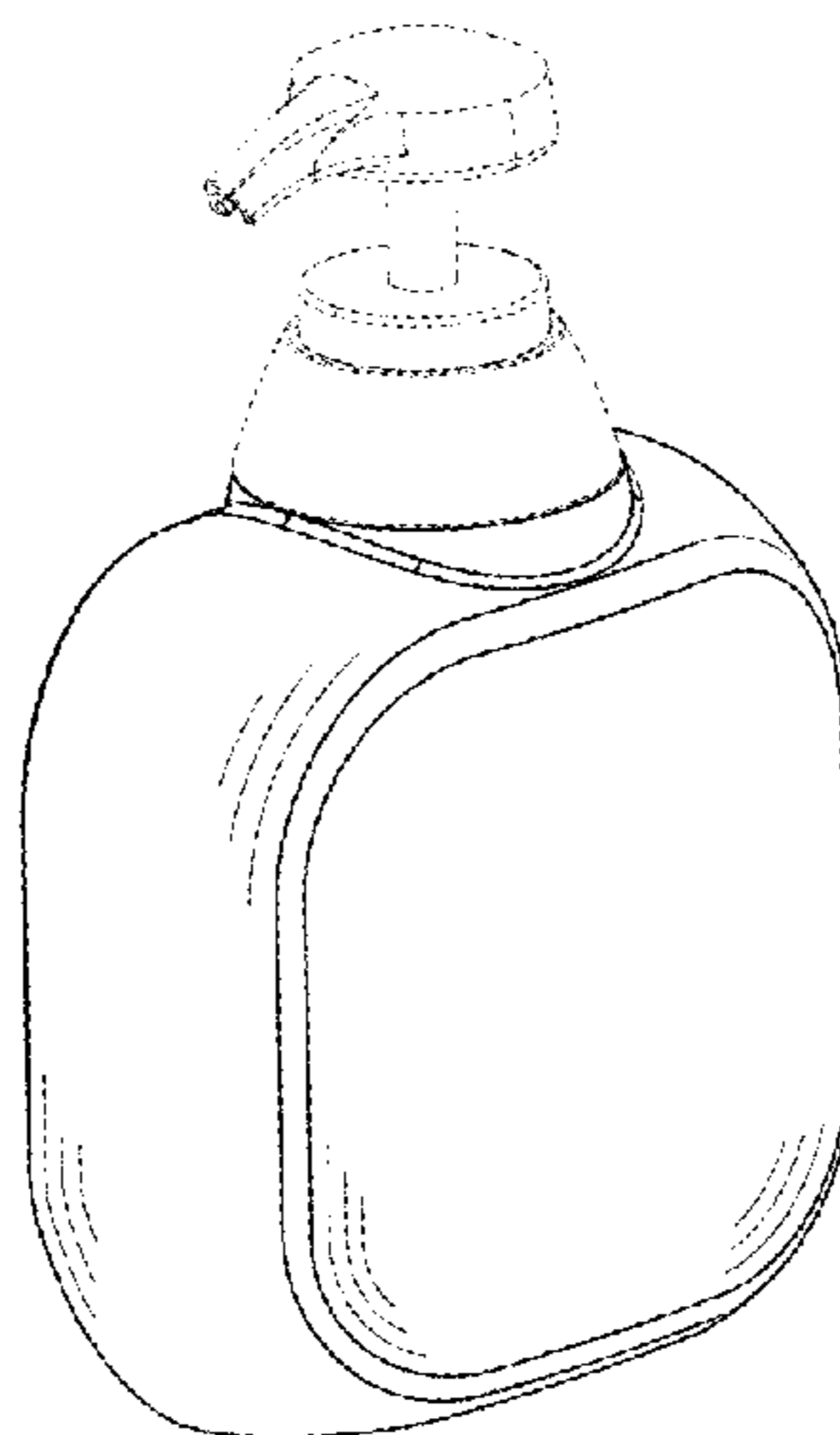
FIG. 5 is a left side view thereof;

FIG. 6 is a bottom view thereof; and,

FIG. 7 is a top view thereof.

The broken line showing environmental structure is included for illustrative purposes and forms no part of the claimed design.

1 Claim, 7 Drawing Sheets



(56)

References Cited

U.S. PATENT DOCUMENTS

D356,263	S	*	3/1995	Matsumoto	D9/552
D392,895	S	*	3/1998	Kuzma	D9/558
D414,103	S	*	9/1999	Crawford	D9/542
D421,215	S	*	2/2000	Crawford	D9/542
D433,623	S	*	11/2000	Crawford	D9/542
D434,663	S	*	12/2000	Jones	D9/516
D450,247	S	*	11/2001	Johnson	D9/542
D451,008	S	*	11/2001	Crawford	D9/560
D480,975	S	*	10/2003	de Baschmakoff	D9/563
D524,658	S	*	7/2006	Varlet	D9/544
D541,664	S	*	5/2007	Galdini	D9/574
D563,232	S	*	3/2008	Mongeon	D9/550
D584,634	S	*	1/2009	Perez	D9/542
D600,127	S	*	9/2009	Kuzma	D9/530
D635,464	S	*	4/2011	Kuzma	D9/563
D735,051	S	*	7/2015	Conway	D9/522
D742,240	S	*	11/2015	Santos	D9/544
2005/0189378	A1	*	9/2005	Eluck	B05B 11/0005 222/78
2007/0241135	A1	*	10/2007	Santagiuliana	B05B 11/3008 222/153.13

FOREIGN PATENT DOCUMENTS

CN	303436395	*	11/2015
CN	303539371	*	1/2016
CN	303768001	*	8/2016
GB	2065142	*	7/1997
TW	D147678		6/2012
TW	D148443		8/2012

* cited by examiner

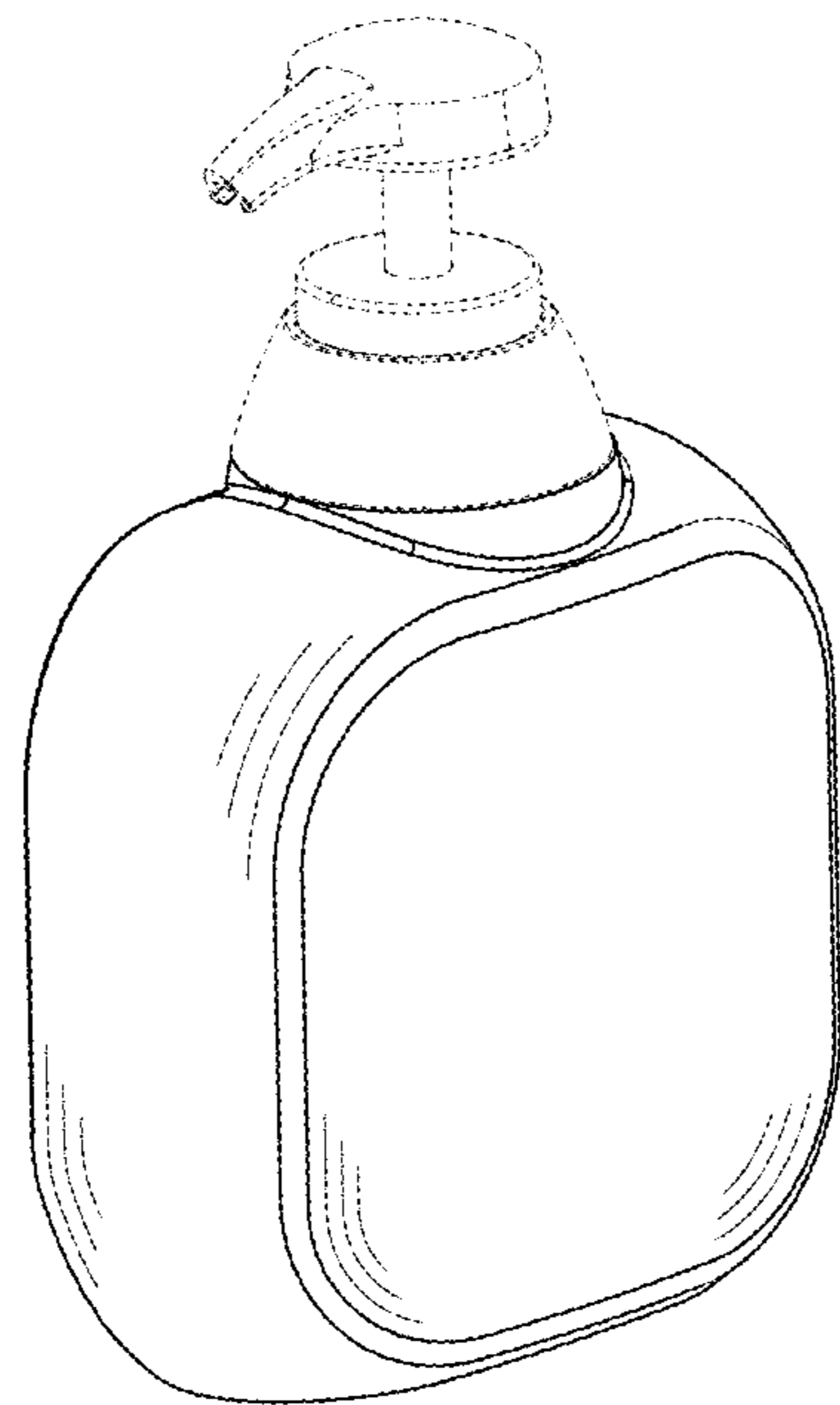


FIG. 1

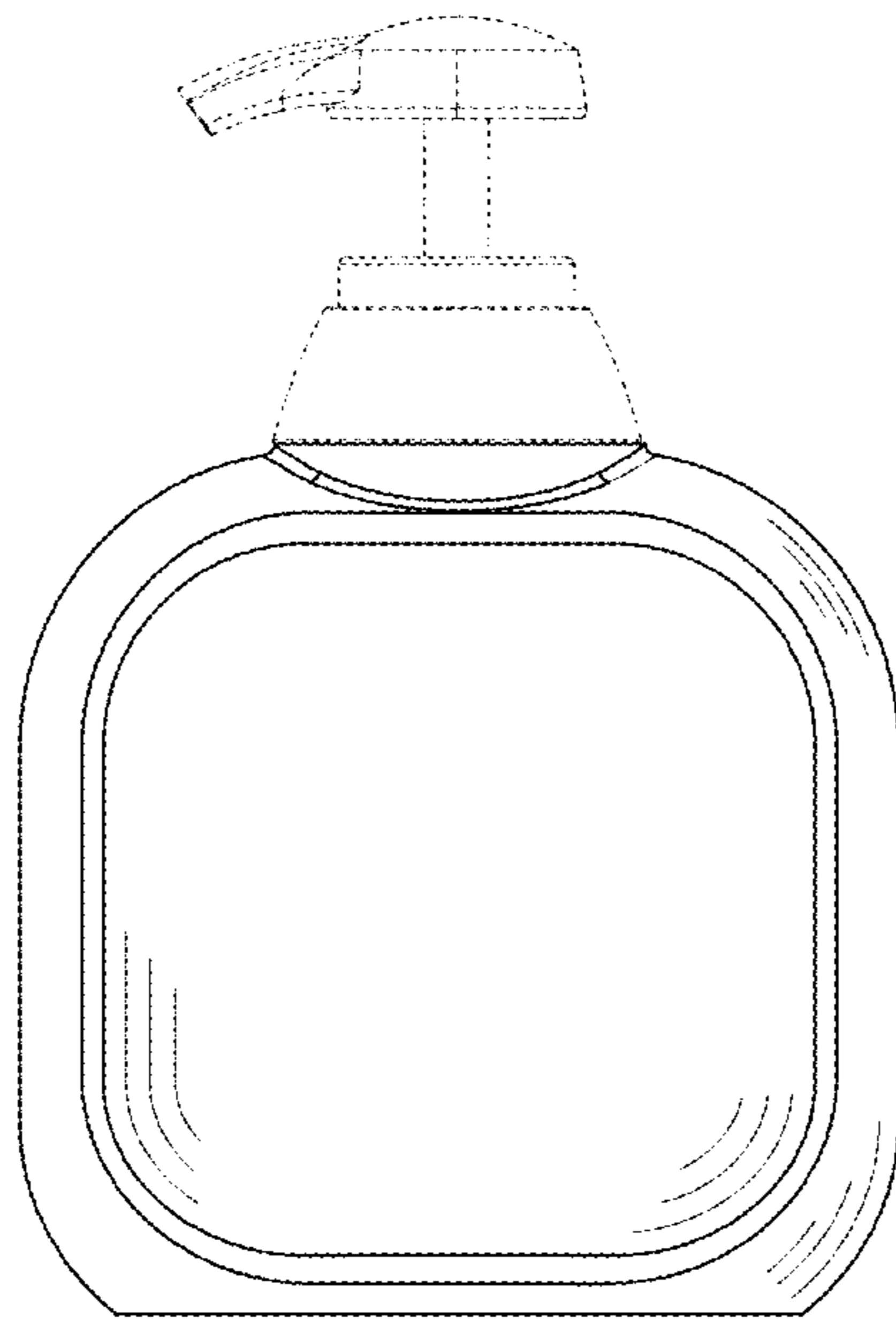


FIG. 2

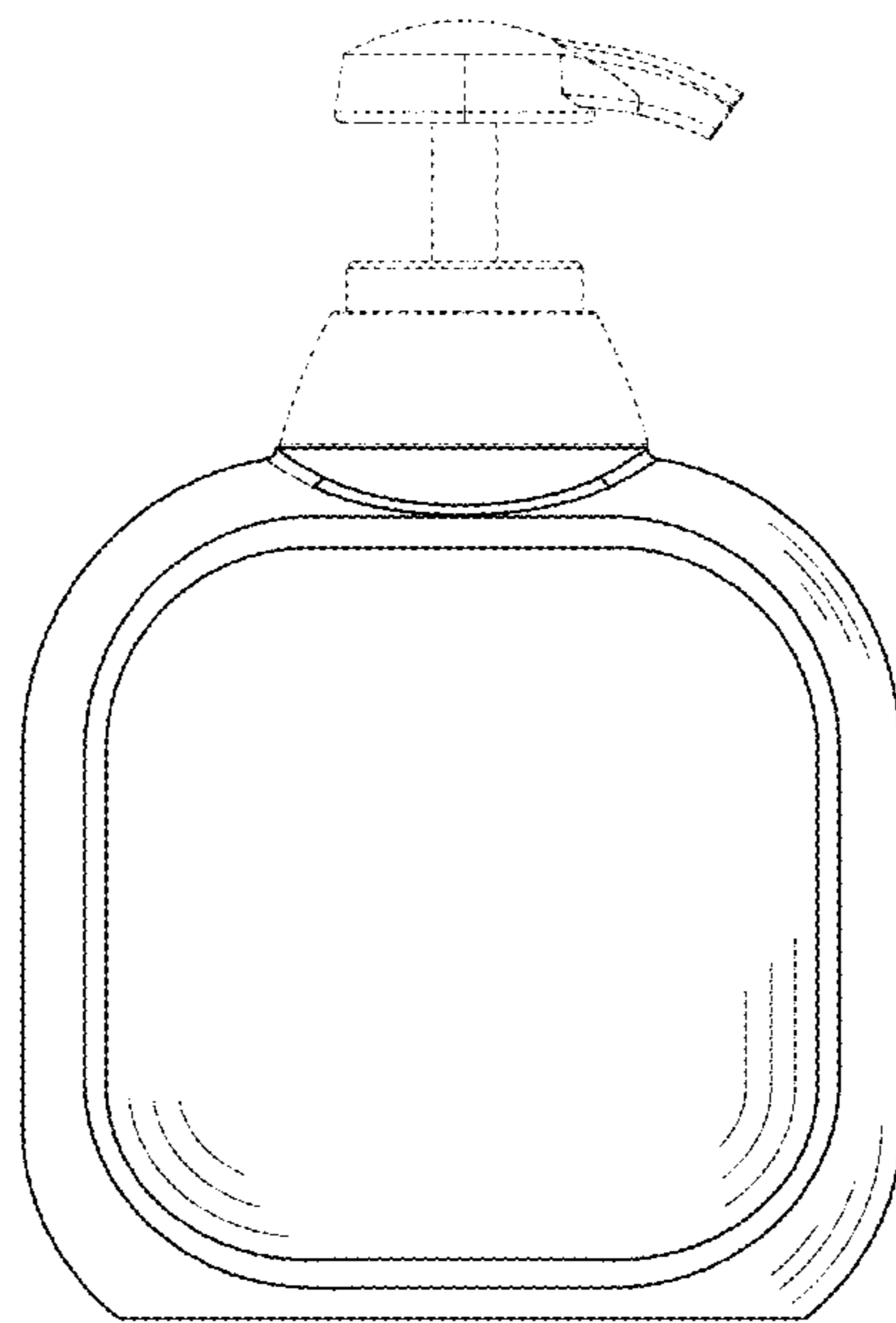


FIG. 3

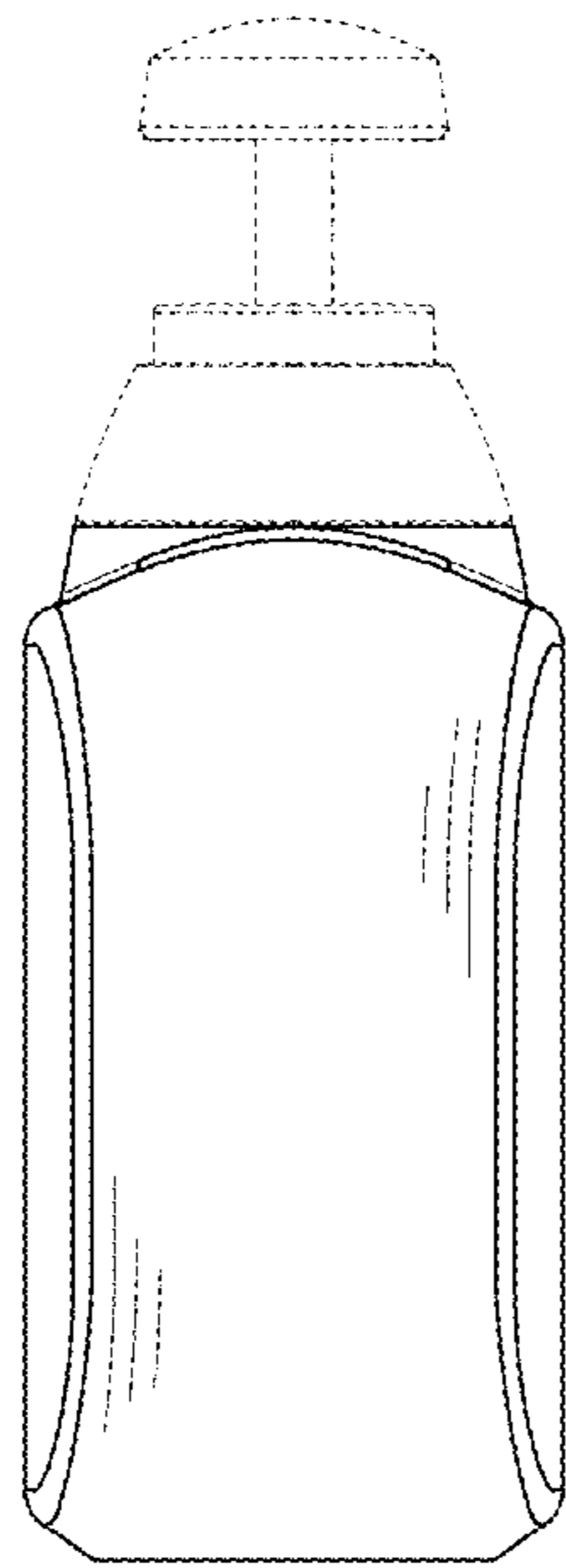


FIG. 4

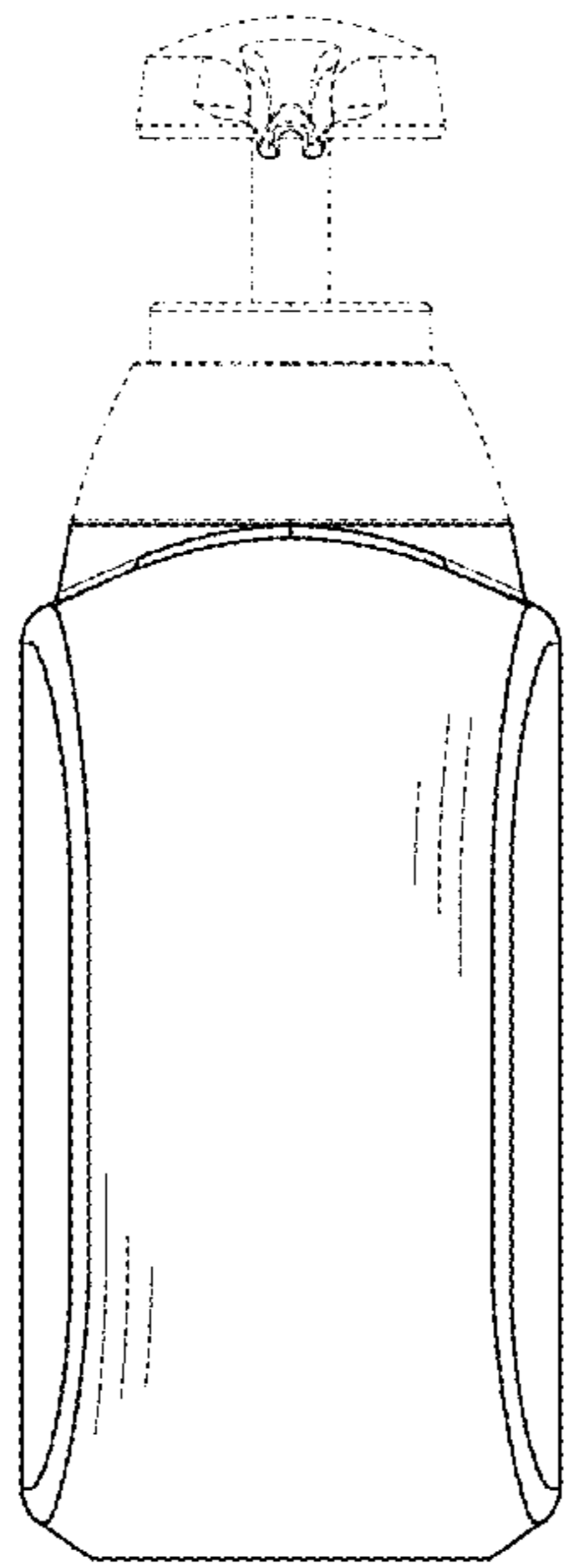


FIG. 5

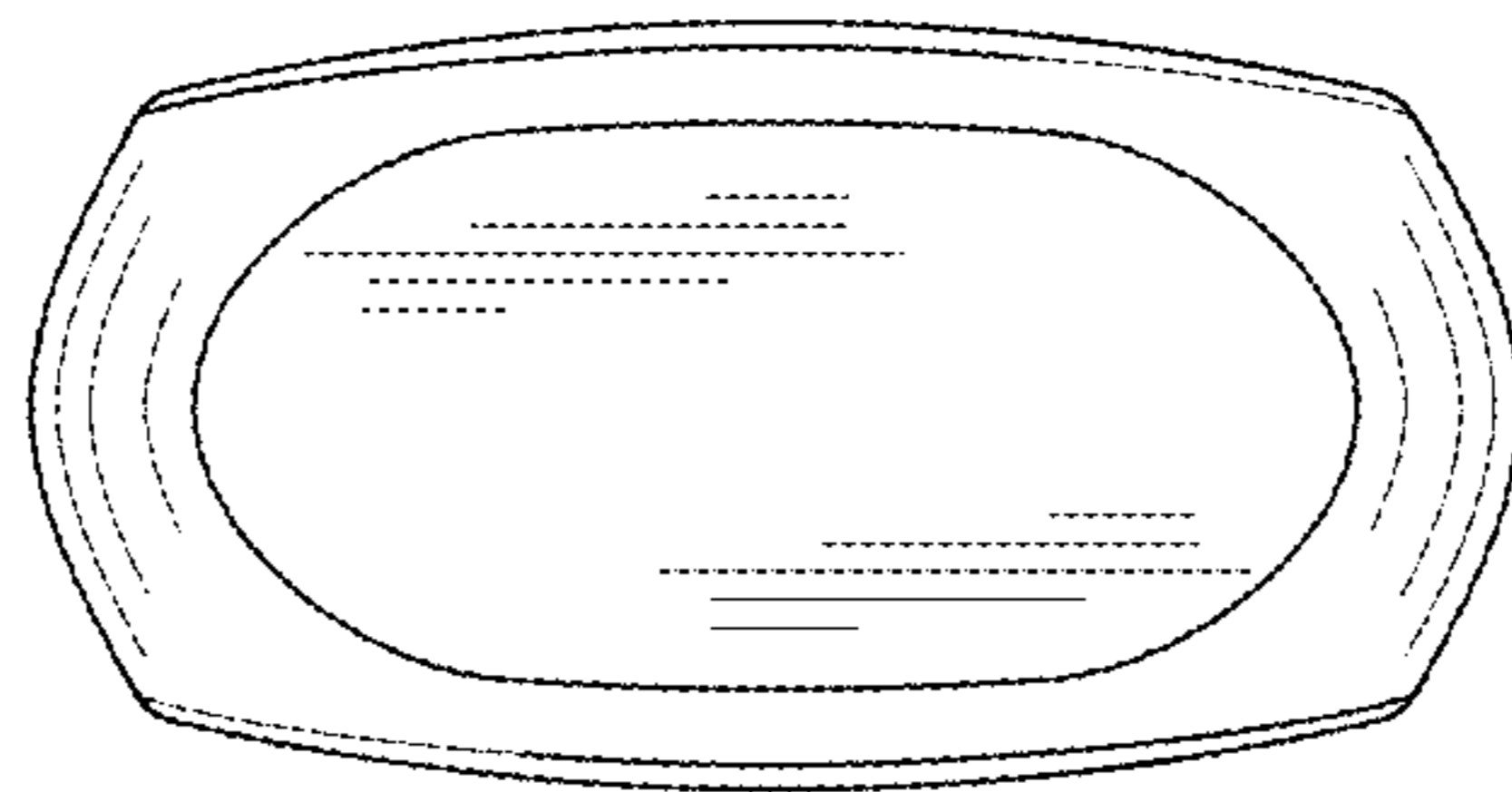


FIG. 6

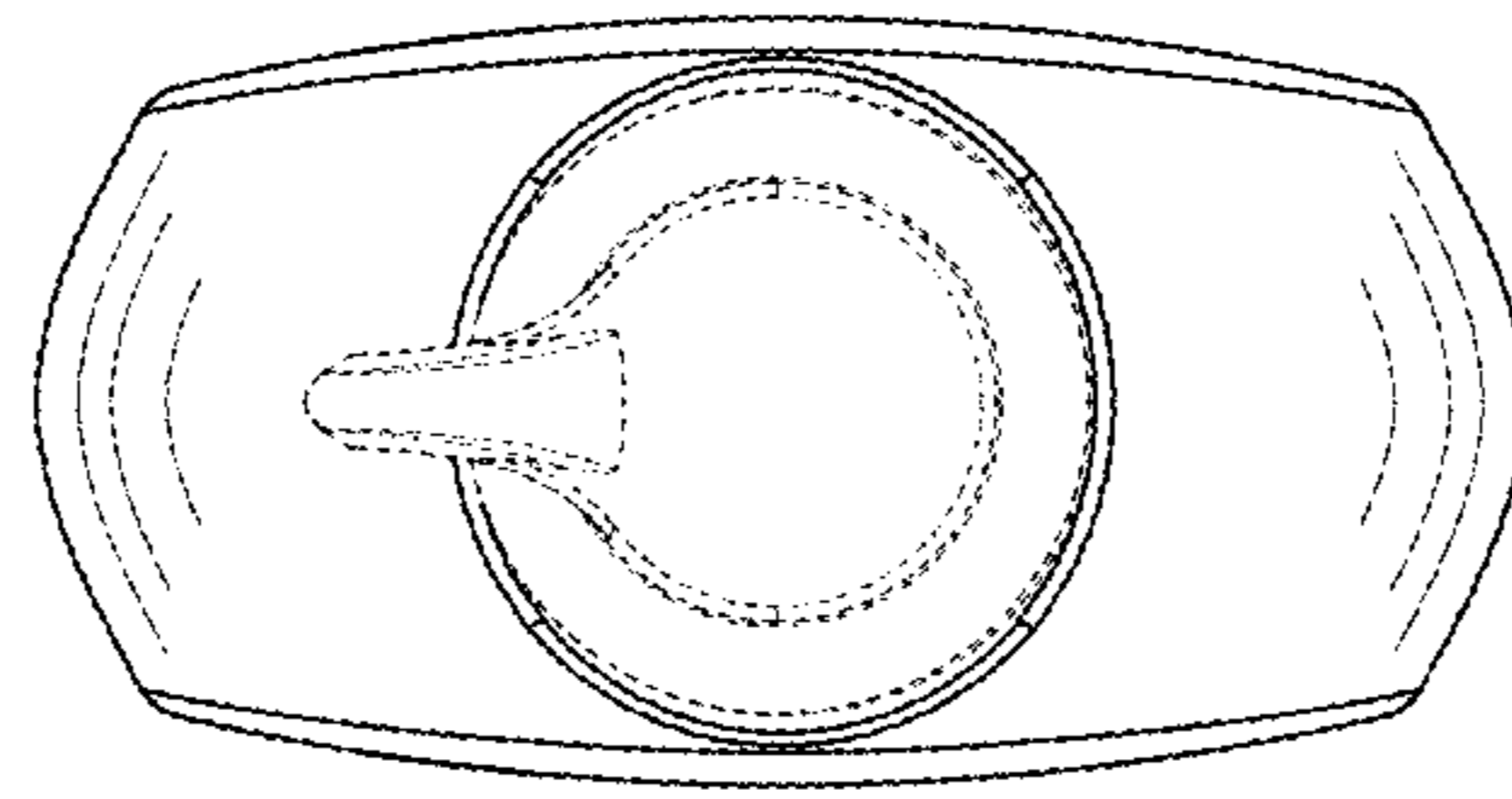


FIG. 7