



US00D784821S

(12) **United States Design Patent** (10) **Patent No.:** **US D784,821 S**
Kuzma et al. (45) **Date of Patent:** **** Apr. 25, 2017**

(54) **BOTTLE**
(71) Applicant: **GK Packaging, Inc.**, Plain City, OH (US)
(72) Inventors: **Gene J. Kuzma**, Powell, OH (US); **Tristan O. Herstol**, Dublin, OH (US)
(73) Assignee: **GK PACKAGING, INC.**, Plain City, OH (US)
(**) Term: **15 Years**
(21) Appl. No.: **29/542,250**
(22) Filed: **Oct. 13, 2015**
(51) **LOC (10) Cl.** **09-01**
(52) **U.S. Cl.**
USPC **D9/560**
(58) **Field of Classification Search**
USPC D9/541, 542, 543, 546, 552, 553, 557, D9/558, 559, 560
See application file for complete search history.

D106,370 S 10/1937 Pancoast
D106,628 S 10/1937 Leach, Jr.
D116,236 S 8/1939 Love
D143,421 S 1/1946 Gasner
D149,618 S 5/1948 D'Addario
D163,063 S 4/1951 Perkins, Jr.
2,586,687 A 2/1952 Mellon
D176,226 S 11/1955 Morris
(Continued)

OTHER PUBLICATIONS

Plastic Milk Bottles, 10 Plastic Milk Bottles With Colored Lids, posted on etsy.com, earliest product review on Apr. 20, 2016, no production date given, [online], [site visited Dec. 9, 2016], Available from Internet, <URL: <https://www.etsy.com/shop/ThePaperedTable/reviews?ref=pagination&page=4>>.*

(Continued)

Primary Examiner — Melanie H Tung
Assistant Examiner — Fritzgerald Butac
(74) *Attorney, Agent, or Firm* — Gallagher & Dawsey Co., LPA; Michael J. Gallagher; David J. Dawsey

CLAIM

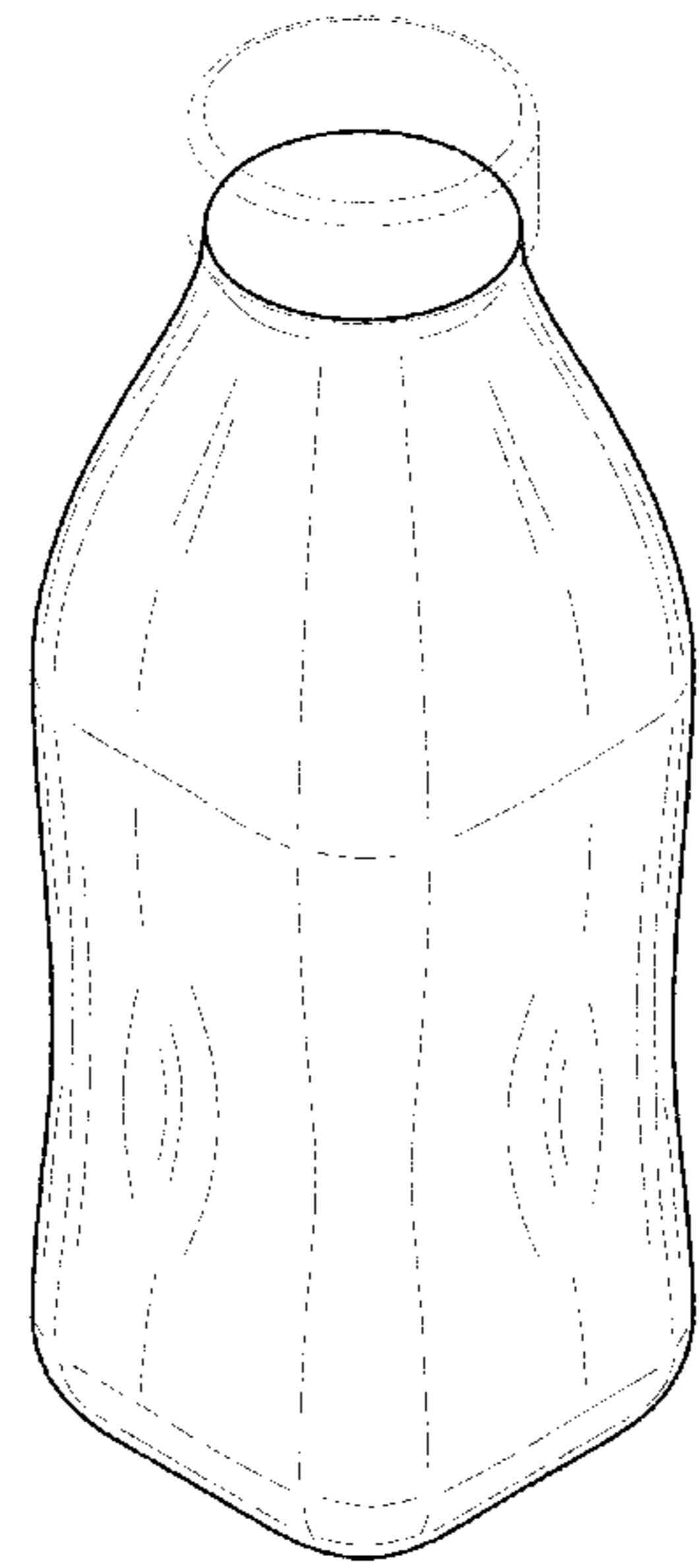
(57) The ornamental design for a bottle, as shown and described.

DESCRIPTION

FIG. 1 is a perspective view of a bottle showing our new design;
FIG. 2 is front elevation view thereof;
FIG. 3 a left side elevation view thereof;
FIG. 4 is a rear elevation view thereof;
FIG. 5 is a right side elevation view thereof;
FIG. 6 is a top plan view thereof; and,
FIG. 7 is a bottom plan view thereof.
The broken lines illustrate portions of the bottle that form no part of the claimed design.

1 Claim, 4 Drawing Sheets

(56) **References Cited**
U.S. PATENT DOCUMENTS
D21,382 S 3/1892 Hannold
D25,023 S 12/1895 Rankine
D28,182 S 1/1898 Whittall
D37,819 S 2/1906 Bradley
882,864 A 3/1908 Burke
D52,472 S 9/1918 Corey
D94,189 S 1/1925 Cassidy
D72,957 S 6/1927 Mas
D73,530 S 9/1927 Lyons
D75,448 S 6/1928 Root
D81,422 S 6/1930 Thomas
D97,176 S 10/1935 Chernow
D97,178 S 10/1935 Clevenger
D101,919 S 11/1936 Leach
D104,546 S 5/1937 Topping



(56)

References Cited

U.S. PATENT DOCUMENTS

| | | | | | |
|-------------|---------|-----------------|--------------|---------|------------------------|
| D189,460 S | 12/1960 | Richter | D328,420 S | 8/1992 | Miller |
| D192,535 S | 4/1962 | Laudano | D332,392 S | 1/1993 | Foster et al. |
| D193,311 S | 7/1962 | Buckley | D334,343 S | 3/1993 | Leslie et al. |
| D195,230 S | 5/1963 | Dubbs | D336,246 S | 6/1993 | Narvaez |
| D196,990 S | 11/1963 | Dubbs | D346,964 S | 5/1994 | Green |
| D198,405 S | 6/1964 | Racknagel | D347,388 S | 5/1994 | Crawford |
| D198,407 S | 6/1964 | Busch | D347,389 S | 5/1994 | Crawford |
| 3,147,876 A | 9/1964 | Lepore | D347,794 S | 6/1994 | Lewis |
| D201,997 S | 8/1965 | Ludetke | D348,606 S | 7/1994 | Edstrom |
| D204,707 S | 5/1966 | Abbott | D349,857 S | 8/1994 | Lonczak et al. |
| 3,258,288 A | 6/1966 | Courter | D350,691 S | 9/1994 | Simion |
| 3,342,379 A | 9/1967 | Foley | D352,462 S | 11/1994 | Rupert |
| D209,097 S | 10/1967 | Stehl | D353,775 S | 12/1994 | Thompson |
| D211,509 S | 6/1968 | Vanderhyde | 5,392,937 A | 2/1995 | Prevot et al. |
| D212,276 S | 9/1968 | Lodding | D356,038 S | 3/1995 | Biesecker |
| D213,355 S | 2/1969 | Kneapler | D356,264 S | 3/1995 | Praturlon et al. |
| D213,421 S | 3/1969 | Leary | D357,418 S | 4/1995 | Lonczak et al. |
| D214,554 S | 7/1969 | Ottman et al. | D360,831 S | 8/1995 | Boisset |
| 3,499,567 A | 3/1970 | Spotts | 5,480,204 A | 1/1996 | Erickson |
| D217,439 S | 5/1970 | Platte | D368,859 S | 4/1996 | LoPreto |
| 3,511,403 A | 5/1970 | Braun | D369,980 S | 5/1996 | Dinand |
| D219,366 S | 12/1970 | Smith | D370,849 S | 6/1996 | Asante |
| D222,530 S | 11/1971 | Luedtke | D372,873 S | 8/1996 | Lathrop et al. |
| D225,834 S | 1/1973 | Kneapler | 5,542,585 A | 8/1996 | Peters et al. |
| D226,303 S | 2/1973 | Kretz | D373,536 S | 9/1996 | Kokenge et al. |
| D227,344 S | 6/1973 | Lerner | D375,051 S | 10/1996 | Lathrop et al. |
| D234,077 S | 1/1975 | Peterson | D376,310 S | 12/1996 | Crawford |
| D234,493 S | 3/1975 | Schweizer | D377,755 S | 2/1997 | Kotyuk et al. |
| D234,682 S | 4/1975 | Quintal | 5,598,941 A | 2/1997 | Semersky et al. |
| 3,874,562 A | 4/1975 | Hazard | D378,665 S | 4/1997 | Fenton et al. |
| D238,555 S | 1/1976 | Blank | D380,681 S | 7/1997 | De Souza et al. |
| D240,592 S | 7/1976 | Koenigsberg | D381,895 S | 8/1997 | Cheng |
| 4,007,848 A | 2/1977 | Snyder | D382,209 S | 8/1997 | Fenton et al. |
| D246,953 S | 1/1978 | Britt | 5,676,270 A | 10/1997 | Roberts |
| D247,221 S | 2/1978 | Landor et al. | D386,090 S | 11/1997 | de Giovellina |
| D248,088 S | 6/1978 | Britt | D392,895 S | 3/1998 | Kuzma et al. |
| D250,393 S | 11/1978 | Shortino | D392,897 S | 3/1998 | Biesecker et al. |
| D254,651 S | 4/1980 | Shortino | 5,722,545 A | 3/1998 | Rinne |
| D254,652 S | 4/1980 | Shortino | D393,202 S | 4/1998 | Bertolini et al. |
| D254,711 S | 4/1980 | Shortino | D393,596 S | 4/1998 | Kotyuk |
| D254,713 S | 4/1980 | Shortino | D396,191 S | 7/1998 | Kuzma et al. |
| D255,543 S | 6/1980 | Shortino | D397,608 S | 9/1998 | Fiore |
| D255,652 S | 7/1980 | Kretz | D398,239 S | 9/1998 | Bertolini et al. |
| D256,555 S | 8/1980 | Beeman | D398,244 S | 9/1998 | Bertolini et al. |
| D257,504 S | 11/1980 | Weckman | D398,853 S | 9/1998 | Phillips |
| D258,117 S | 2/1981 | Bashour | 5,816,451 A | 10/1998 | Renault |
| D259,542 S | 6/1981 | Shortino | D403,592 S | 1/1999 | Everard et al. |
| D261,107 S | 10/1981 | Harris | D405,355 S | 2/1999 | Wawzonek |
| D263,281 S | 3/1982 | Smith | D408,740 S | 4/1999 | Jones et al. |
| D266,990 S | 11/1982 | Cook | D409,091 S | 5/1999 | Beaver et al. |
| D268,647 S | 4/1983 | Kingsford | D409,092 S | 5/1999 | Beasley |
| D272,889 S | 3/1984 | Walton | D411,457 S | 6/1999 | Ruda et al. |
| D273,564 S | 4/1984 | Spielhoff | D411,804 S | 7/1999 | Zaragoza |
| D281,863 S | 12/1985 | Beechuk et al. | D412,851 S | 8/1999 | Nosella |
| 4,564,106 A | 1/1986 | Shilcock | D413,265 S * | 8/1999 | Hestehave D9/541 |
| D287,227 S | 12/1986 | Turnbull | D413,807 S | 9/1999 | Mikla |
| D287,823 S | 1/1987 | Rosenwinkel | D414,417 S | 9/1999 | Alt |
| D288,905 S | 3/1987 | Platte, Sr. | 5,954,213 A | 9/1999 | Gerhart et al. |
| D291,778 S | 9/1987 | Rosenwinkel | D415,037 S | 10/1999 | Pritchard et al. |
| D297,089 S | 8/1988 | West | D417,624 S | 12/1999 | Herrmann et al. |
| D302,385 S | 7/1989 | Weiler | D419,887 S | 2/2000 | Dugan |
| D306,695 S | 3/1990 | Smith | D419,889 S | 2/2000 | Kuzma et al. |
| D308,337 S | 6/1990 | Weckman | D420,594 S | 2/2000 | Weinstein et al. |
| D310,169 S | 8/1990 | Kowollik et al. | D422,506 S | 4/2000 | Cummings |
| D310,329 S | 9/1990 | Schmidt | D423,366 S * | 4/2000 | Gans D9/541 |
| D310,964 S | 10/1990 | Weckman | D423,370 S | 4/2000 | Lewin |
| D312,779 S | 12/1990 | Taconelli | D424,448 S | 5/2000 | Weber |
| D317,259 S | 6/1991 | Schmidt | D425,408 S | 5/2000 | Bakic |
| D321,131 S | 10/1991 | Wiseman et al. | D425,429 S | 5/2000 | Weber |
| D321,322 S | 11/1991 | Fuchs | D425,431 S | 5/2000 | Omidian |
| D322,936 S | 1/1992 | Maginnis, Jr. | D427,073 S | 6/2000 | Gaffney et al. |
| D322,937 S | 1/1992 | Dinand | D427,914 S | 7/2000 | Croft et al. |
| D324,820 S | 3/1992 | Hayman et al. | D428,342 S | 7/2000 | Stoller |
| D324,821 S | 3/1992 | Solomon | D428,343 S | 7/2000 | Waitzenegger |
| D324,998 S | 3/1992 | Klapwald | D428,578 S | 7/2000 | Waitzenegger |
| | | | D429,159 S | 8/2000 | Feen |
| | | | D429,649 S | 8/2000 | Kotyuk |
| | | | D432,920 S | 10/2000 | Johnson et al. |
| | | | D433,637 S | 11/2000 | Hailey et al. |

(56)

References Cited

U.S. PATENT DOCUMENTS

| | | | | | |
|--------------|---------|----------------------|--------------|---------|-----------------------|
| D433,947 S | 11/2000 | Ewing, Jr. | D522,867 S | 6/2006 | Bakic |
| D433,948 S | 11/2000 | Stoller | D523,756 S | 6/2006 | Considine et al. |
| D437,559 S | 2/2001 | Fenton et al. | D524,657 S | 7/2006 | Harris et al. |
| D437,775 S | 2/2001 | Dalmau | D525,872 S | 8/2006 | Haubert et al. |
| D438,118 S | 2/2001 | Dalmau | D525,873 S | 8/2006 | Haubert et al. |
| D439,518 S | 3/2001 | Gavin | D526,200 S | 8/2006 | Bakic |
| D439,843 S | 4/2001 | Dalmau | D526,204 S | 8/2006 | Stolle |
| D441,293 S | 5/2001 | Togasawa | D526,569 S | 8/2006 | Wurster |
| D443,825 S | 6/2001 | Goettner | D527,636 S | 9/2006 | Bakic |
| D444,389 S | 7/2001 | Bakic | 7,108,128 B2 | 9/2006 | Borg |
| D444,390 S | 7/2001 | Kokenge et al. | D529,388 S | 10/2006 | Bakic |
| D444,708 S | 7/2001 | Cummings | D529,810 S | 10/2006 | Davies et al. |
| D446,128 S | 8/2001 | Adee et al. | D529,814 S | 10/2006 | Winkler et al. |
| D446,459 S | 8/2001 | Weber | D535,887 S | 1/2007 | Haubert, III et al. |
| D447,694 S | 9/2001 | Leggett | D535,888 S | 1/2007 | Kuzma et al. |
| D448,677 S | 10/2001 | Krich | D535,891 S | 1/2007 | Varlet |
| D448,678 S | 10/2001 | Bakic | D536,619 S | 2/2007 | Heisner |
| D448,999 S | 10/2001 | Weber | D538,678 S | 3/2007 | Cummings et al. |
| D450,247 S | 11/2001 | Johnson et al. | D540,185 S | 4/2007 | Cummings et al. |
| D450,597 S | 11/2001 | Bobchenok et al. | D541,162 S | 4/2007 | Pleines et al. |
| 6,321,923 B1 | 11/2001 | Wood | D542,661 S | 5/2007 | Adler et al. |
| D452,157 S | 12/2001 | White et al. | D547,190 S | 7/2007 | Kuzma et al. |
| D452,446 S | 12/2001 | Shear | D548,530 S | 8/2007 | Dien |
| 6,334,531 B1 | 1/2002 | Valkovich | D551,555 S | 9/2007 | Escobosa et al. |
| D455,648 S | 4/2002 | Cummings | D553,001 S | 10/2007 | Granitz |
| D455,655 S | 4/2002 | Bunce | D553,502 S | 10/2007 | Toh |
| D457,069 S | 5/2002 | Palaia | D555,500 S | 11/2007 | Johnston et al. |
| D458,149 S | 6/2002 | Cummings | D556,056 S | 11/2007 | Thomas et al. |
| D458,847 S | 6/2002 | Kuzma et al. | D557,140 S | 12/2007 | Voight et al. |
| D459,212 S | 6/2002 | Gobe | D558,575 S | 1/2008 | Van Der Krogt et al. |
| D459,659 S | 7/2002 | Chung | D558,580 S | 1/2008 | Kuzma et al. |
| D459,996 S | 7/2002 | Kuzma et al. | D559,109 S | 1/2008 | Feen |
| D463,747 S | 10/2002 | Peon et al. | D559,114 S | 1/2008 | Breitlander |
| D464,874 S | 10/2002 | Tune et al. | D562,139 S | 2/2008 | Crabtree et al. |
| D468,214 S | 1/2003 | Kuzma et al. | D562,140 S | 2/2008 | Crabtree et al. |
| D468,643 S | 1/2003 | Kuzma et al. | D563,227 S | 3/2008 | Feen |
| D468,644 S | 1/2003 | Kuzma et al. | D563,793 S | 3/2008 | Nomoto |
| D469,022 S | 1/2003 | Kuzma et al. | D563,798 S | 3/2008 | Gibson et al. |
| D469,214 S | 1/2003 | Balko | D567,662 S | 4/2008 | Feen et al. |
| D470,772 S | 2/2003 | Egger | D567,664 S | 4/2008 | Rica |
| D471,111 S | 3/2003 | Weaver et al. | D569,261 S * | 5/2008 | Sequeira D9/560 |
| D471,461 S | 3/2003 | McGowan | D569,730 S | 5/2008 | Crabtree et al. |
| D472,154 S | 3/2003 | Peon et al. | D578,395 S | 10/2008 | Kuzma et al. |
| D475,298 S | 6/2003 | Corrigan et al. | D578,398 S | 10/2008 | Kuzma et al. |
| D480,002 S | 9/2003 | Canepa | D578,406 S | 10/2008 | Kuzma et al. |
| D481,950 S | 11/2003 | Bakic | D581,276 S | 11/2008 | Kuzma et al. |
| 6,659,294 B1 | 12/2003 | Simard | D582,784 S * | 12/2008 | Boiros D9/560 |
| D486,065 S | 2/2004 | Hutchinson et al. | D584,953 S | 1/2009 | Rica |
| D489,267 S | 5/2004 | Rennie et al. | D585,750 S | 2/2009 | Kuzma et al. |
| D489,626 S | 5/2004 | Pitassi | D590,717 S | 4/2009 | Weber |
| D491,069 S * | 6/2004 | Heliste D9/560 | D591,161 S | 4/2009 | Trollope et al. |
| D495,609 S | 9/2004 | Wurster | D593,416 S | 6/2009 | Medema |
| D495,959 S | 9/2004 | Hogan et al. | D594,339 S | 6/2009 | Geeraert et al. |
| D495,960 S | 9/2004 | Hogan et al. | D600,558 S | 9/2009 | Isono |
| D496,264 S | 9/2004 | Eaton et al. | D601,427 S | 10/2009 | Miller et al. |
| D496,283 S | 9/2004 | Busa, Jr. | D605,518 S | 12/2009 | Desjardins |
| D496,867 S | 10/2004 | Kuzma et al. | D607,742 S | 1/2010 | Kuzma et al. |
| D497,312 S | 10/2004 | Anderson et al. | D608,213 S | 1/2010 | Kuzma et al. |
| D498,146 S | 11/2004 | Densky et al. | D610,012 S | 2/2010 | MacDonald et al. |
| D498,670 S | 11/2004 | Cummings et al. | D610,912 S | 3/2010 | Boesch et al. |
| D500,447 S | 1/2005 | Snyder | D614,039 S | 4/2010 | Arnell |
| D500,954 S | 1/2005 | Kuzma et al. | D615,411 S | 5/2010 | Kuzma et al. |
| D501,141 S | 1/2005 | Bakic | D615,871 S | 5/2010 | Renz et al. |
| D502,400 S | 3/2005 | Cinquino et al. | D617,646 S | 6/2010 | Kuzma et al. |
| D505,079 S | 5/2005 | Mulder et al. | D621,267 S | 8/2010 | Arnell |
| D507,187 S | 7/2005 | Yourist | D621,272 S | 8/2010 | Carnduff et al. |
| D509,148 S | 9/2005 | Wilson et al. | D622,146 S | 8/2010 | Wheaton et al. |
| D510,030 S | 9/2005 | Storz et al. | D623,066 S | 9/2010 | Mongeon et al. |
| D510,705 S | 10/2005 | Crawfors | D623,532 S | 9/2010 | Kuzma et al. |
| D510,869 S | 10/2005 | Gross et al. | D626,002 S | 10/2010 | Charyszyn et al. |
| D513,993 S | 1/2006 | Boyd | D626,423 S | 11/2010 | Lauret |
| 6,984,640 B1 | 1/2006 | Haynes et al. | D632,581 S | 2/2011 | Kuzma et al. |
| D514,448 S | 2/2006 | Kuzma et al. | D632,967 S * | 2/2011 | Hughes D9/542 |
| D515,430 S | 2/2006 | Venkataraman et al. | D636,269 S | 4/2011 | Arnell et al. |
| D521,386 S | 5/2006 | Priestman | D641,247 S | 7/2011 | Kuzma et al. |
| | | | D642,066 S | 7/2011 | Kuzma et al. |
| | | | D642,922 S | 8/2011 | Kuzma et al. |
| | | | D643,736 S | 8/2011 | Lagerqvist |
| | | | D644,519 S | 9/2011 | Howell et al. |

(56)

References Cited

U.S. PATENT DOCUMENTS

D644,529 S 9/2011 Padain et al.
 D644,530 S 9/2011 Padain et al.
 D644,531 S 9/2011 Padain et al.
 D646,171 S 10/2011 Howell et al.
 D649,058 S 11/2011 Kuzma et al.
 D650,281 S 12/2011 Padain et al.
 D650,282 S 12/2011 Padain et al.
 D651,518 S 1/2012 Padain et al.
 D652,735 S * 1/2012 Chen D9/542
 D656,405 S * 3/2012 Byron D9/560
 D656,666 S 3/2012 McGregor et al.
 D669,359 S 10/2012 Kuzma et al.
 D669,360 S 10/2012 Kuzma et al.
 D670,173 S 11/2012 Kuzma et al.
 D735,046 S * 7/2015 De Lorme D9/560
 D736,641 S * 8/2015 Manne D9/560
 D752,443 S * 3/2016 Schlies D9/530
 D752,444 S * 3/2016 Schlies D9/530
 D762,480 S * 8/2016 Yourist D9/542
 2005/0263476 A1 12/2005 Harrison et al.
 2007/0205175 A1 9/2007 Darr et al.
 2008/0257849 A1 10/2008 Farrar et al.

2008/0314856 A1 12/2008 Penny et al.
 2011/0226791 A1 9/2011 Kuzma et al.
 2012/0305516 A1 12/2012 Kuzma et al.

OTHER PUBLICATIONS

Clear Glass Milk Bottles with Lid, posted on orientaltrading.com, earliest product review on Mar. 2, 2015, no production date given, [online], [site visited Dec. 9, 2016], Available from Internet, <URL: http://www.orientaltrading.com/web/browse/processProducts-Catalog?Nrpp=10000&sku=13648571&BP=PS525&ms=search&source=google&cm_mmc=Google_-_242030648->.*
 Milk Bottles Set of 3, posted on store.lovelesscafe.com, earliest review on Dec. 29, 2013, no production date given, [online], [site visited Dec. 9, 2016], Available from Internet, <URL: http://store.lovelesscafe.com/product/milk-bottles/loveless_glassware?gclid=CNL5uvS559ACFca4wAodIEUN3w>.*
 Glass Pint Milk Bottles, posted on lehmans.com, earliest review posted Sep. 9, 2015, no production date given, [online], [site visited Dec. 9, 2016], Available from Internet, <URL: https://www.lehmans.com/product/glass-pint-milk-bottles/canning?utm_medium=shoppingengine&utm_source=googlebase&utm_campaign=100005697&zmam=32933335&zmas=1&zmac=1&zma>.*

* cited by examiner

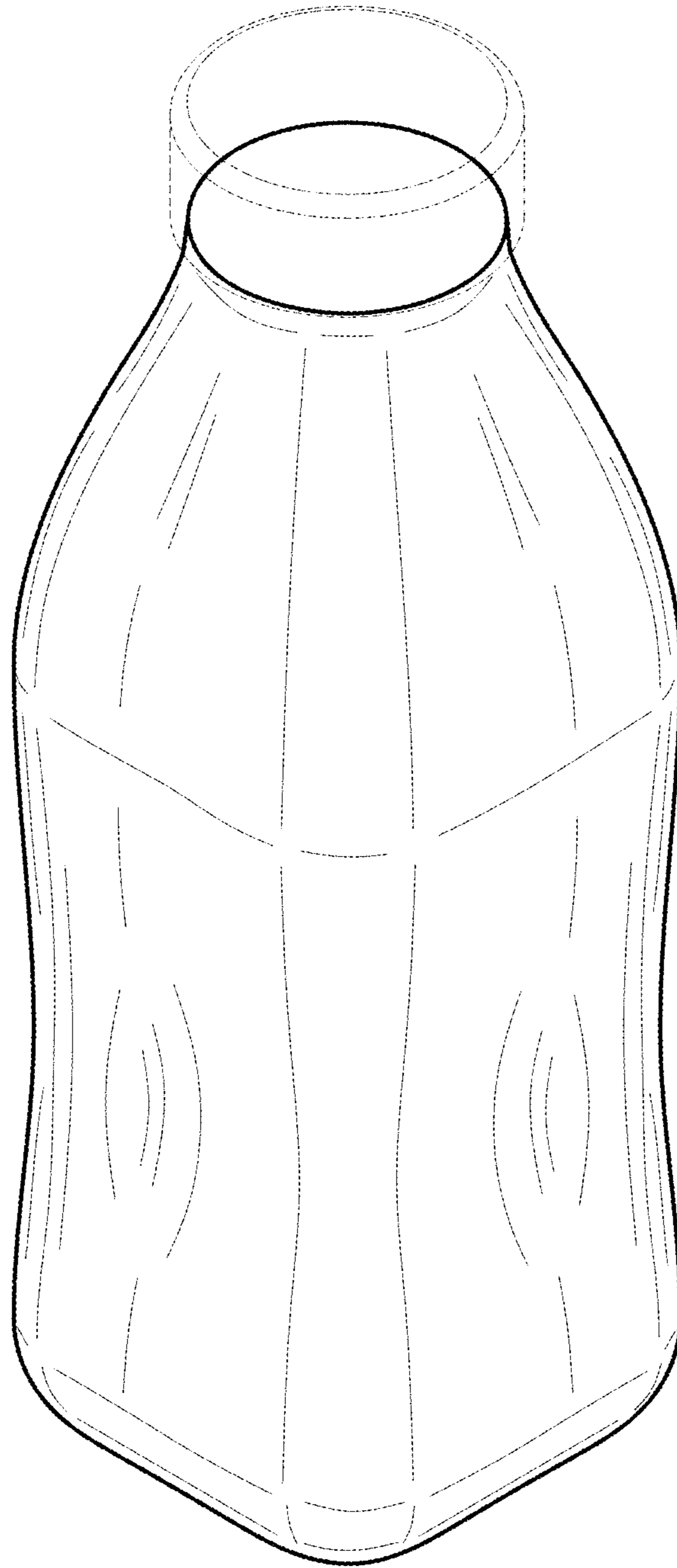


FIG. 1

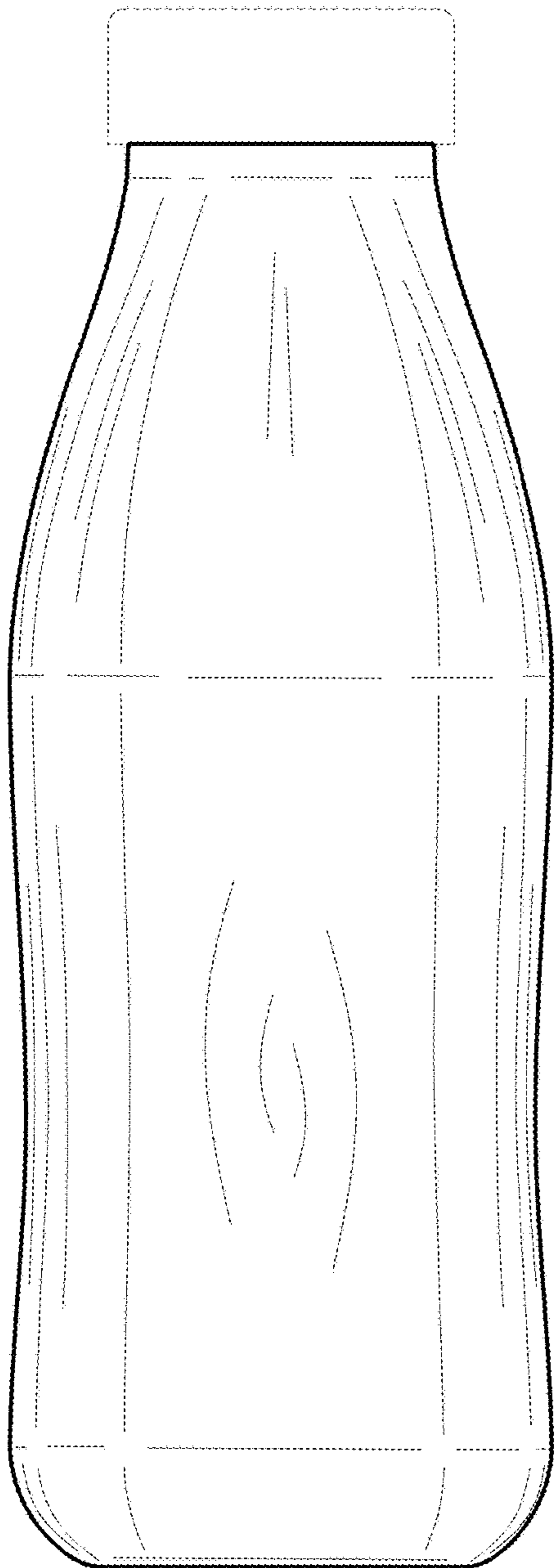


FIG. 2

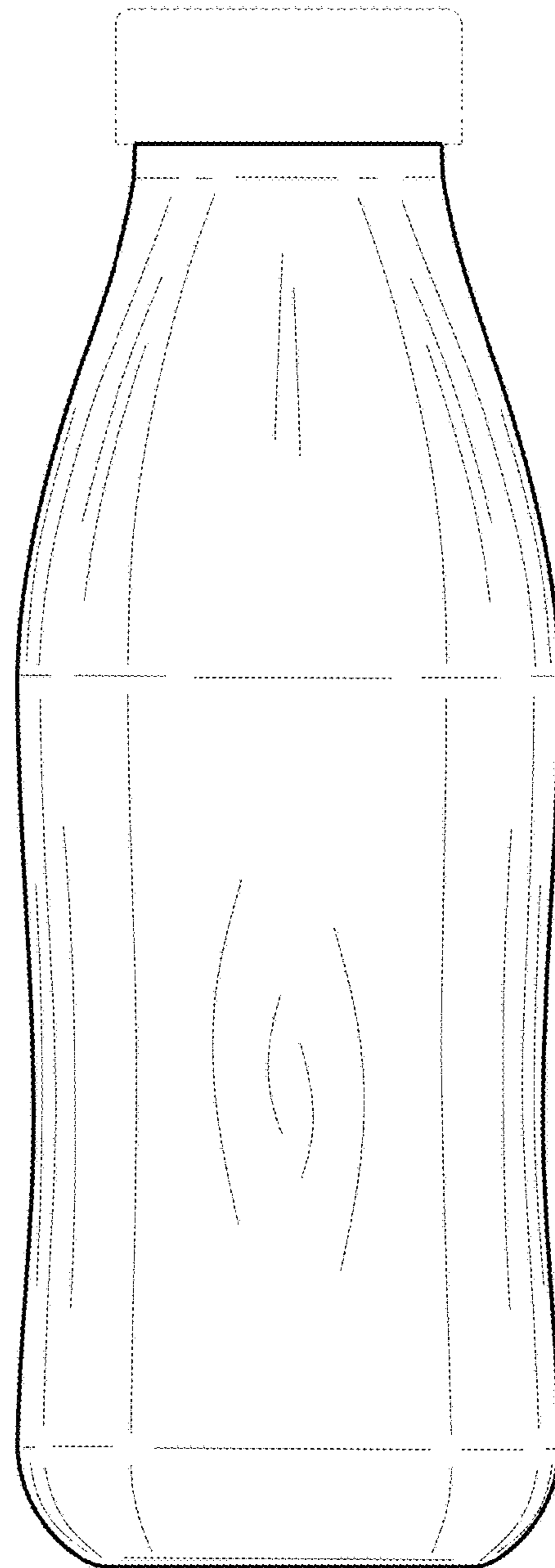


FIG. 3

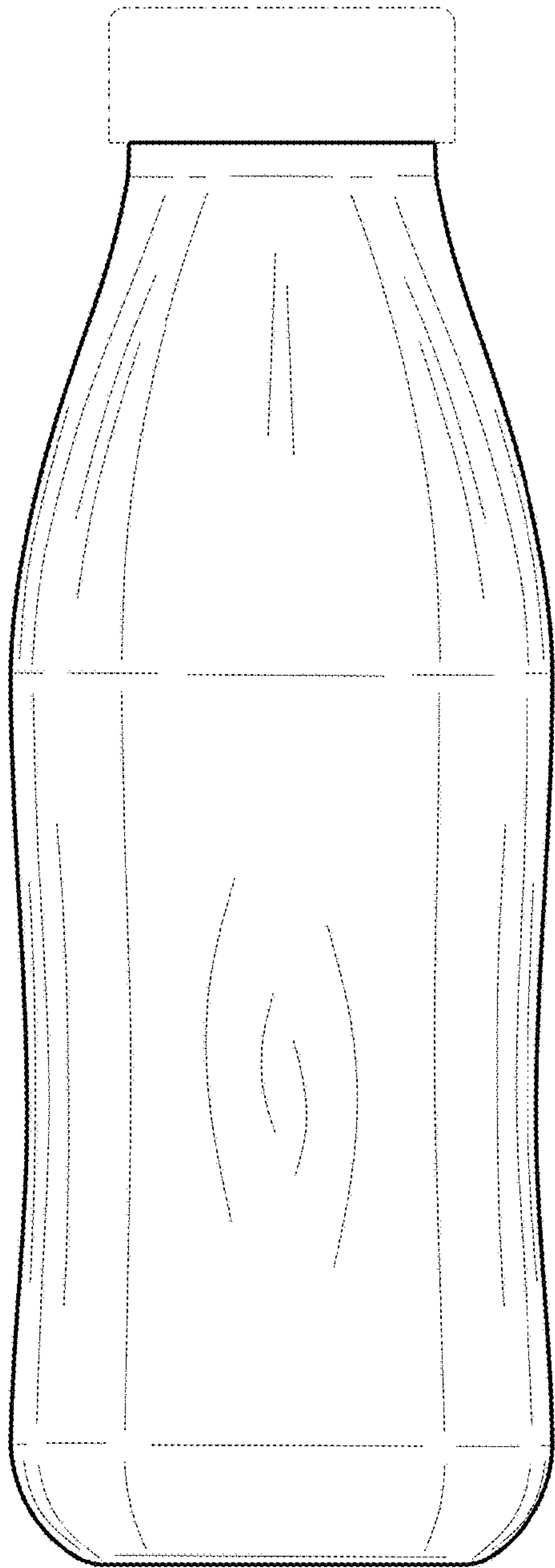


FIG. 4

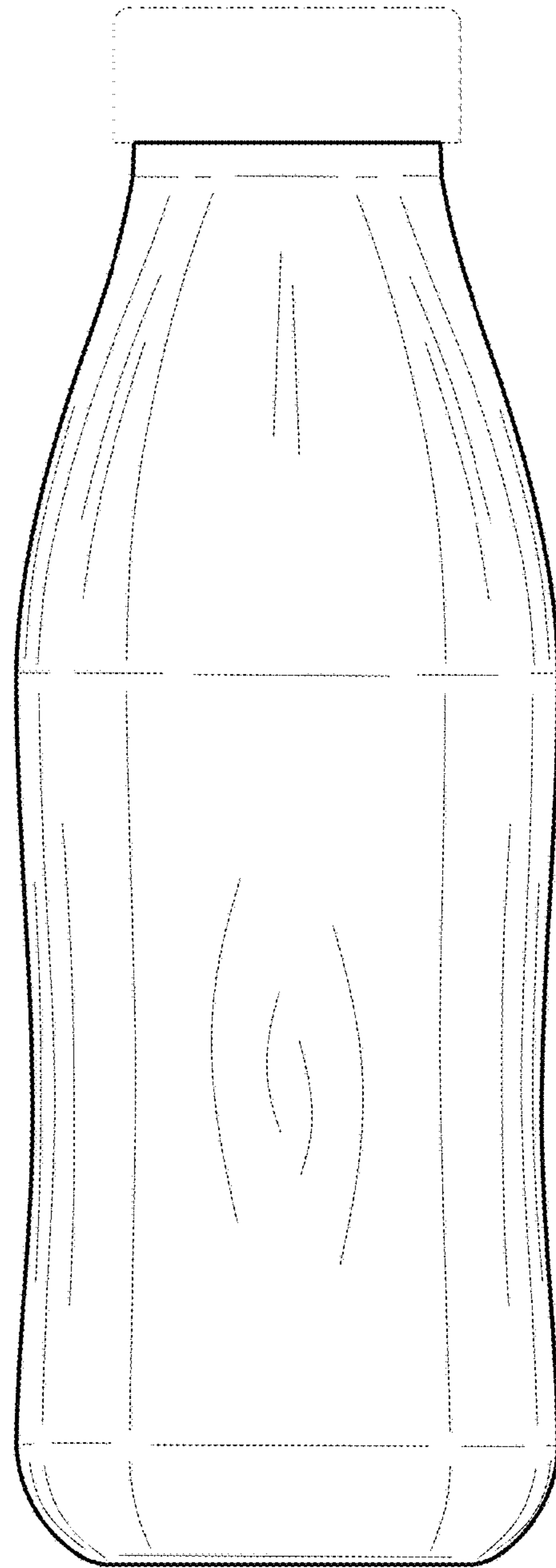


FIG. 5

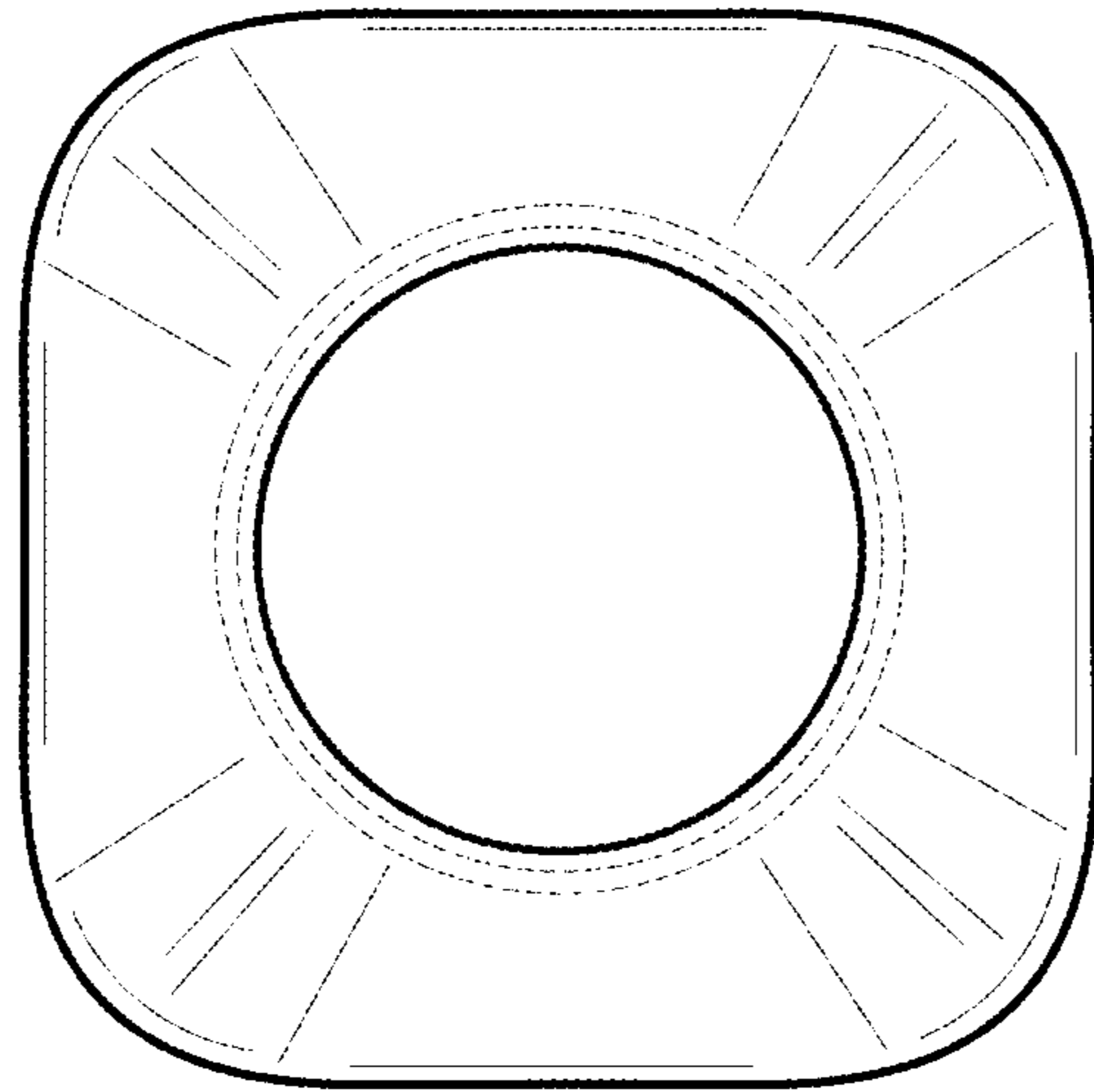


FIG. 6

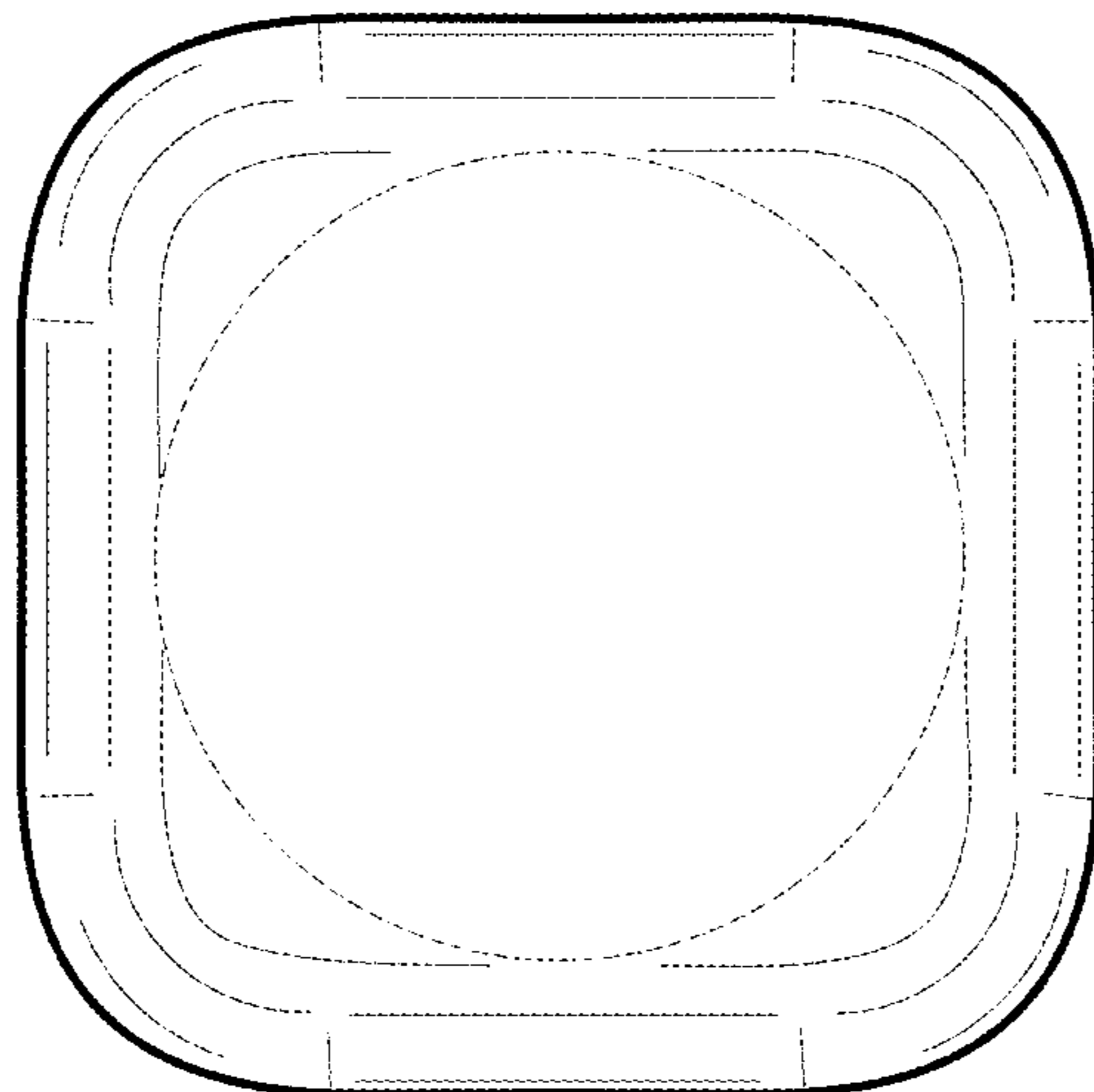


FIG. 7