



US00D784812S

(12) **United States Design Patent**
Miller

(10) **Patent No.:** **US D784,812 S**

(45) **Date of Patent:** **** *Apr. 25, 2017**

(54) **CAP FOR A BOTTLE**

(71) Applicant: **IGNITE USA, LLC**, Chicago, IL (US)

(72) Inventor: **Blair Miller**, Chicago, IL (US)

(73) Assignee: **IGNITE USA, LLC**, Chicago, IL (US)

(*) Notice: This patent is subject to a terminal disclaimer.

(**) Term: **15 Years**

(21) Appl. No.: **29/535,170**

(22) Filed: **Aug. 4, 2015**

(51) **LOC (10) Cl.** **09-07**

(52) **U.S. Cl.**
USPC **D9/454**; D9/435; D9/436

(58) **Field of Classification Search**

USPC D3/202, 203.1, 203.2, 273, 275, 294,
D3/318; D4/116; D7/300, 300.1, 316,
D7/317, 387, 391, 392.1, 393, 396.2, 398,
D7/509, 510, 511, 523-531, 538, 541,
D7/549, 629, 703, 900; D9/434, 435,
D9/436, 438, 439, 440, 443, 446-450,
D9/452, 453, 454, 502, 503, 504, 516,
D9/517, 529; D10/123, 126; D8/349,
D8/350, 352; D19/70, 71, 115, 162, 163,
D19/165, 192, 194; D24/121, 127, 197,
D24/224; D26/36, 123, 124; D28/7, 76,
D28/78, 82, 85, 91; D34/7, 10, 11, 39;
206/503, 504, 534, 459.1, 509, 549, 501,
206/545; 215/201, 205, 206, 209, 211,
215/216, 217, 218, 222, 228, 230, 232,
215/236, 252, 270, 295, 341, 344, 350,
215/381-385; 220/212.5, 236, 293, 294,

220/300, 324, 326, 253, 254.3, 288, 574,
220/575, 705, 709, 713, 714, 915;
222/212, 213, 215, 239.4, 259.3, 288,
(Continued)

(56) **References Cited**

U.S. PATENT DOCUMENTS

2,880,899 A * 4/1959 Bramming A47J 41/02
215/12.1
4,565,293 A * 1/1986 Jonas B65D 41/3466
215/246

(Continued)

OTHER PUBLICATIONS

Thermos® Brand, Vacuum Insulated, 16 oz., Stainless Steel Compact Beverage Bottle. Retrieved from the Internet on Mar. 24, 2016: <<<http://www.thermos.com/products/vacuum-insulated-16-oz-stainless-steel-compact-beverage-bottle.aspx>>>.

(Continued)

Primary Examiner — Thomas Johannes

Assistant Examiner — Catherine Posthauer

(74) *Attorney, Agent, or Firm* — Marshall, Gerstein & Borun LLP

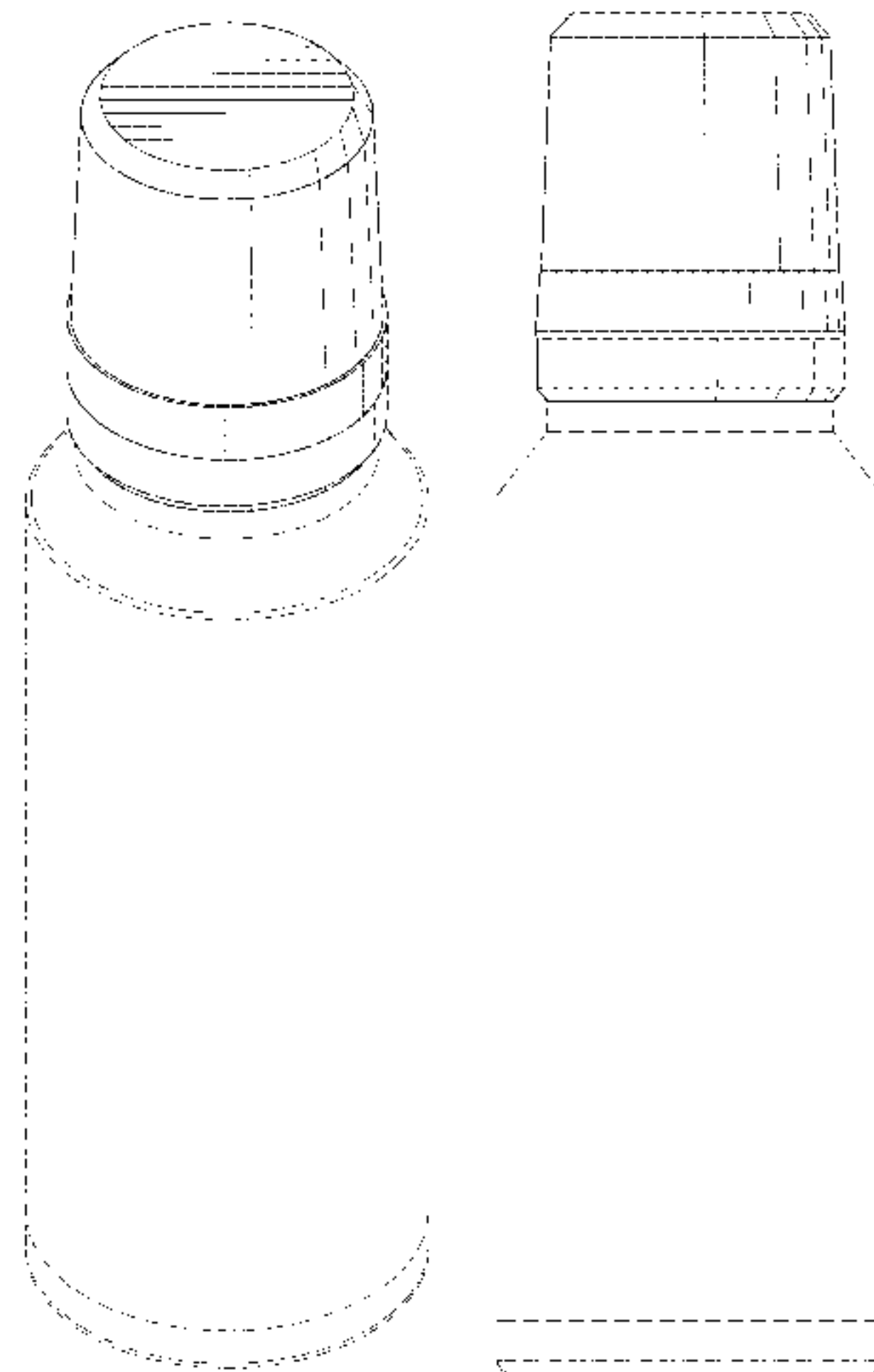
(57) **CLAIM**

The design for a cap for a bottle, as shown and described.

DESCRIPTION

FIG. 1 is a top perspective view of a cap for a bottle showing our new design;
FIG. 2 is a bottom perspective view thereof;
FIG. 3 is a front view thereof;
FIG. 4 is a right side view thereof;
FIG. 5 is rear view thereof;
FIG. 6 is a left side view thereof;
FIG. 7 is a top view thereof; and,
FIG. 8 is a bottom view thereof.

(Continued)



The broken lines shown in the drawings are included for the purpose of illustrating environmental structure and form no part of the claimed design.

1 Claim, 7 Drawing Sheets

(58) **Field of Classification Search**

USPC 222/490, 548, 793, 903; D13/118, 133, D13/154, 158, 183, 703
 CPC . B65D 23/00; B65D 1/00; B65D 1/02; B65D 1/0223; B65D 2501/00; B65D 2501/0009; B65D 50/041; A47G 18/22; A47G 18/23
 See application file for complete search history.

(56) **References Cited**

U.S. PATENT DOCUMENTS

4,667,836	A *	5/1987	McLaren	B65D 41/3414	215/216
D409,451	S *	5/1999	Kato	D7/608	
6,321,924	B1 *	11/2001	Yurkewicz	B65D 41/32	215/251
D481,801	S *	11/2003	Whitley	D24/224	
D486,270	S *	2/2004	Kurumada	D28/76	
D540,625	S *	4/2007	Sandberg	D7/608	
D553,914	S *	10/2007	Wahl	D7/608	
D557,994	S *	12/2007	Wahl	D7/608	
D619,004	S *	7/2010	Fallat, II	D9/454	
D620,358	S *	7/2010	Jewett	D9/439	
D648,984	S *	11/2011	Gullickson	D7/510	
D655,134	S *	3/2012	Gilbert	D7/510	
8,387,786	B2 *	3/2013	Fontana	206/219	
8,701,906	B1 *	4/2014	Anderson	B65D 41/20	206/220
D759,487	S *	6/2016	Jayakaran	D9/453	
2003/0155323	A1 *	8/2003	Ekkert	B65D 51/1622	215/344

2012/0305559	A1 *	12/2012	Steininger	B65D 47/065	220/253
2013/0306642	A1 *	11/2013	Dabah	B65D 51/28	220/521
2013/0336085	A1 *	12/2013	Drake	A23L 2/385	366/348
2014/0014611	A1 *	1/2014	Buehler	B65D 50/041	215/217
2016/0069378	A1 *	3/2016	Zook	B64D 45/02	215/341

OTHER PUBLICATIONS

Thermos® Brand, Vacuum Insulated Compact Bottle with Black Lid. Retrieved from the Internet on Mar. 24, 2016: <<<http://www.thermos.com/products/vacuum-insulated-compact-bottle-with-black-lid.aspx>>>.

Thermos® Brand, Vacuum Insulated 16 oz. Stainless King Beverage Bottle. Retrieved from the Internet on Mar. 24, 2016: <<<http://www.thermos.com/products/vacuum-insulated-16-oz-stainless-king-beverage-bottle.aspx>>>.

Thermos® Brand, Blue 35 oz. Arc Series Beverage Bottle. Retrieved from the Internet on Mar. 24, 2016: <<<http://www.thermos.com/products/blue-35-oz-arc-series-beverage-bottle.aspx>>>.

Stanley®, A Brand of PMI, Classic Original Vacuum Bottle 1.1 Qt. Retrieved from the Internet on Mar. 24, 2016: <<<http://www.shopstanley-pmi.com/product/classic-vacuum-bottle-11qt-ham-mertone-green>>>.

Thermos® Brand, Beverage Bottles. Retrieved from the Internet on Mar. 24, 2016: <<http://www.thermos.com/product_catalog.aspx?CatCode=BEVG>>.

Thermos® Brand, Floating Beverage Bottle. <<<http://www.thermos.com/products/floating-beverage-bottle.aspx>, May 2, 2015, retrieved from the Internet Archive Wayback Machine on May 17, 2016: <<<https://web.archive.org/web/20150502204500/http://www.thermos.com/products/floating-beverage-bottle.aspx>>>.

* cited by examiner

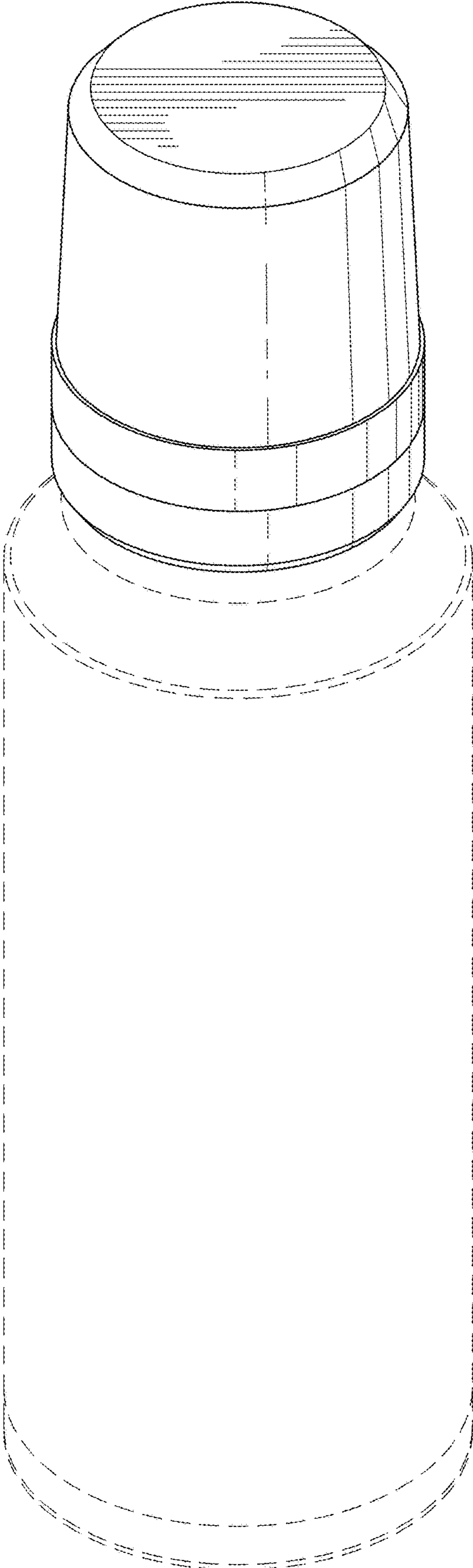


FIG. 1

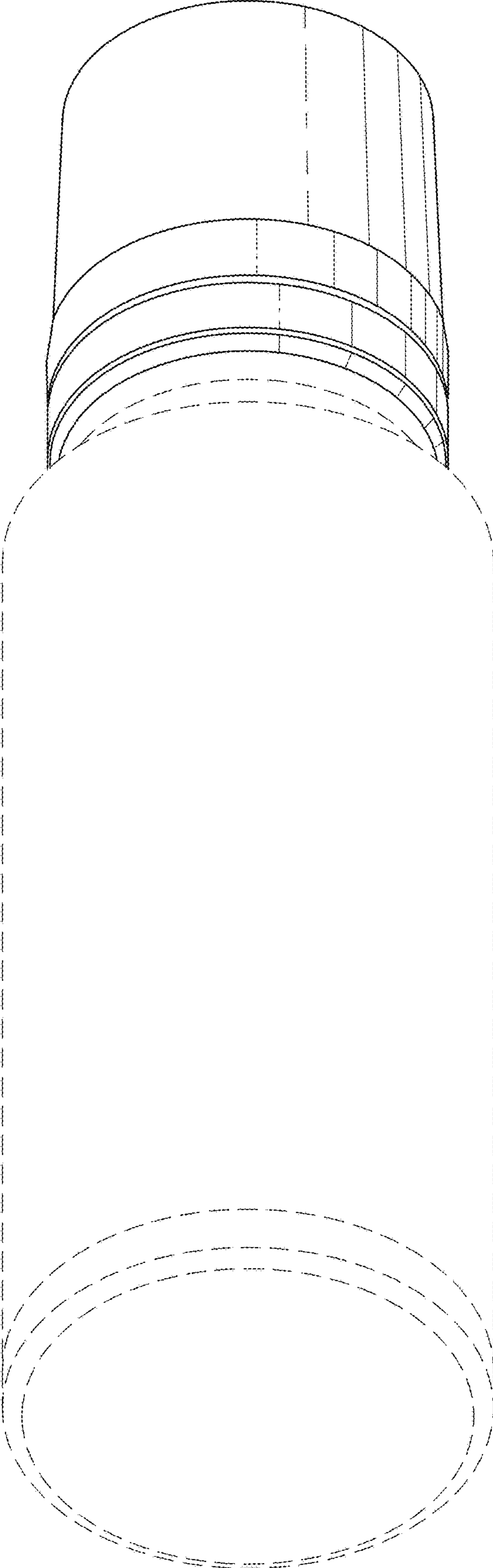


FIG. 2



FIG. 3

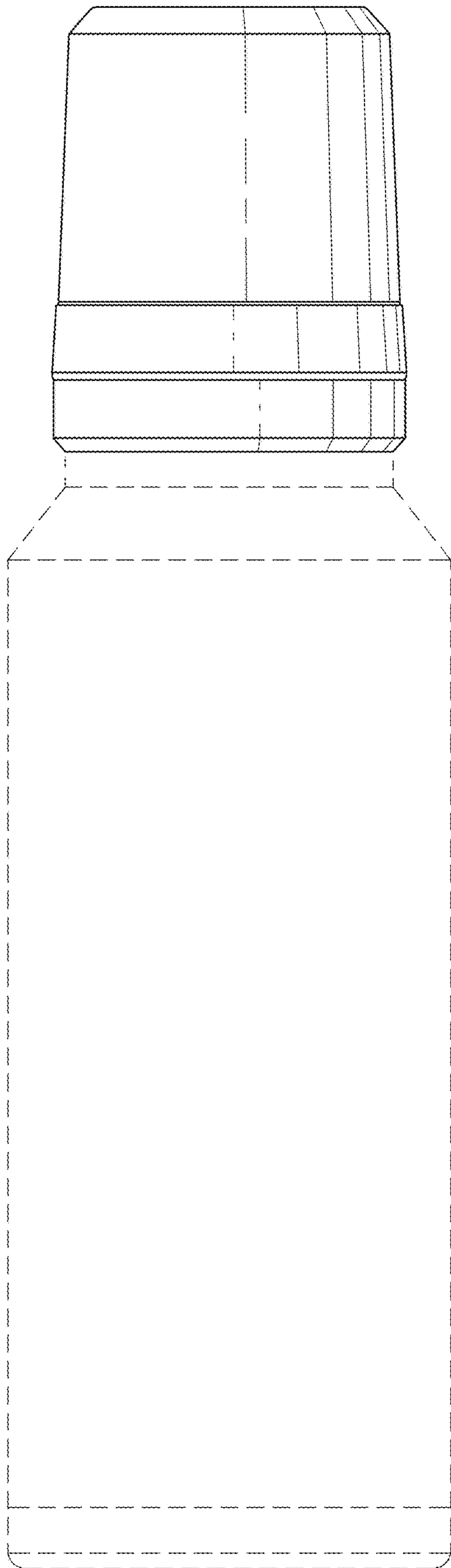


FIG. 4



FIG. 5

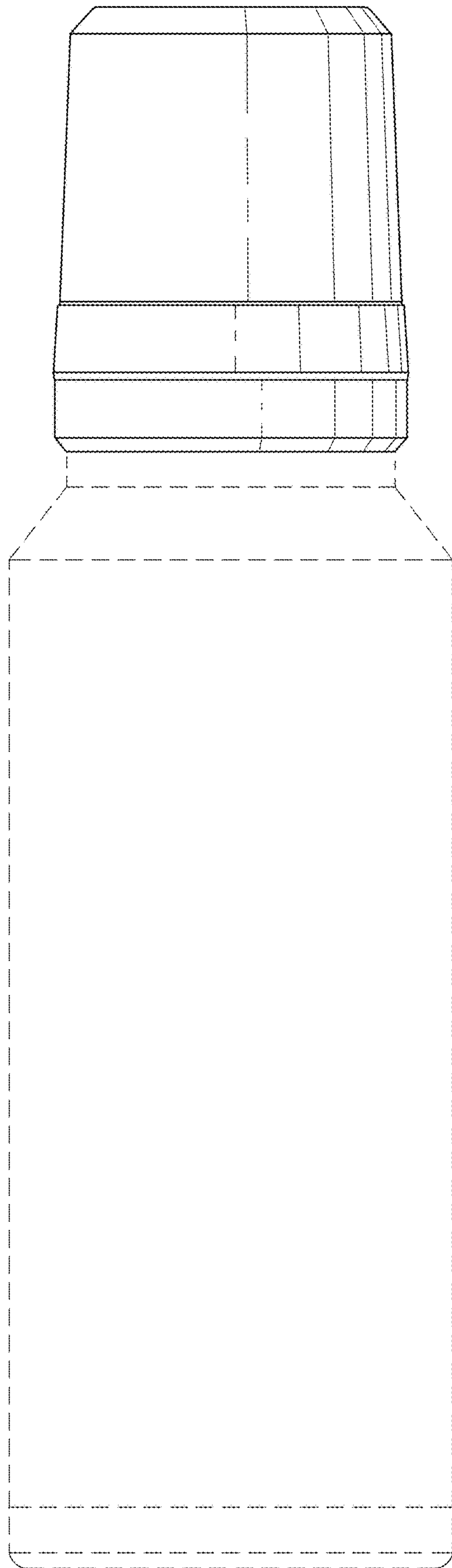


FIG. 6

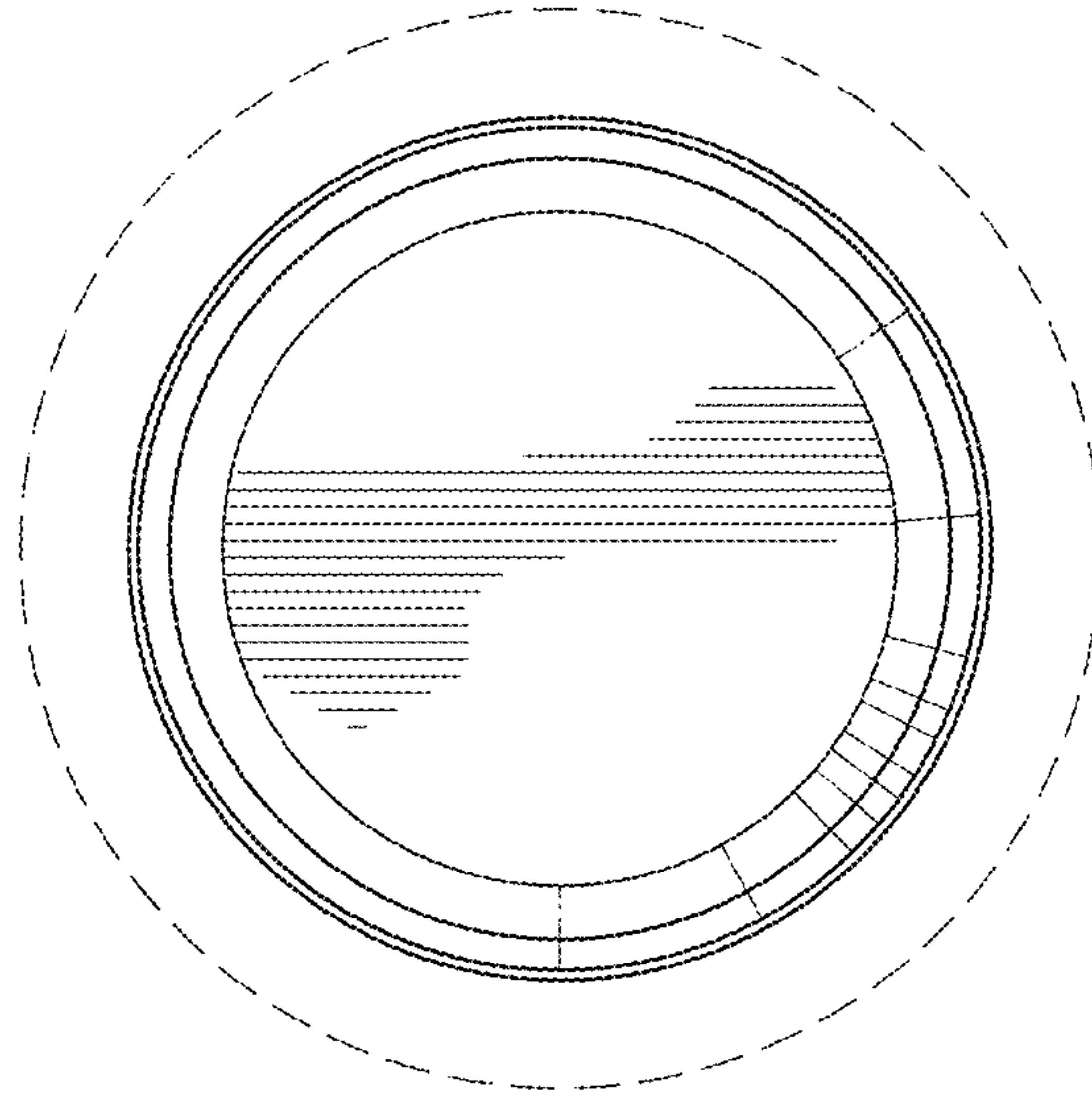


FIG. 7

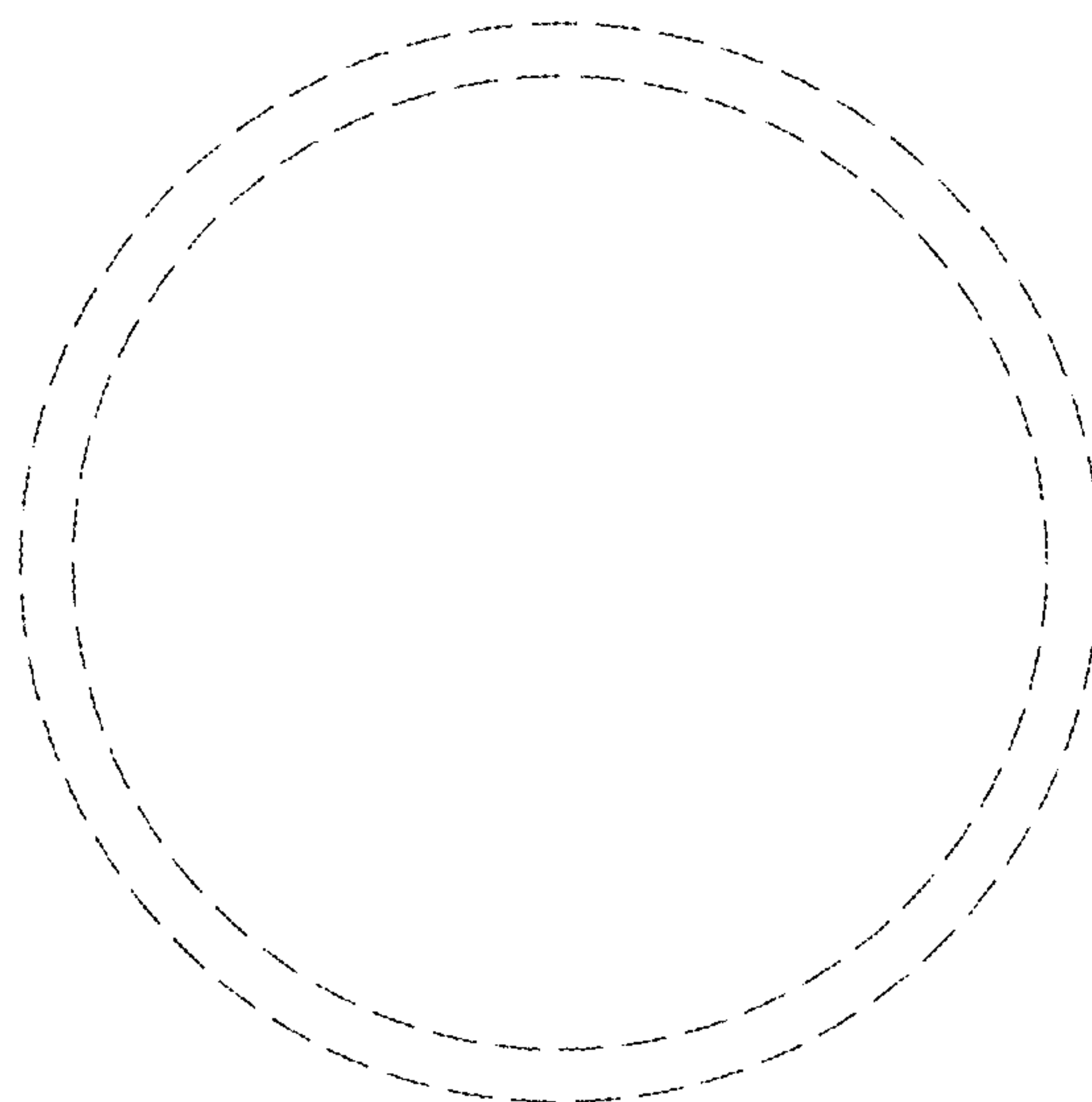


FIG. 8