



US00D784811S

(12) **United States Design Patent**
Scevola

(10) **Patent No.:** **US D784,811 S**
(45) **Date of Patent:** **** Apr. 25, 2017**

(54) **CONTAINER LID**

215/306, 321, 382; 220/254.2, 254.3,
220/254.5, 254.7, 254.9, 260, 264, 266,
220/285, 368, 521, 711, 714, 811, 812,
220/835, 837

(71) Applicant: **EVINE Live Inc.**, Eden Prairie, MN
(US)

(Continued)

(72) Inventor: **Brian Scevola**, Palm Harbor, FL (US)

(56)

References Cited

(73) Assignee: **EVINE Live Inc.**, Eden Prairie, MN
(US)

U.S. PATENT DOCUMENTS

1,686,955 A * 10/1928 Edward B65D 43/00
126/33
2,952,377 A * 9/1960 Brown B65D 9/04
217/57

(**) Term: **14 Years**

(Continued)

(21) Appl. No.: **29/518,178**

OTHER PUBLICATIONS

(22) Filed: **Feb. 20, 2015**

Round Plastic Snack Containers with Flip Top Lids: Announced
Oct. 15, 2015 [online], site visited [Dec. 15, 2015]. Available from
Internet URL: https://www.dollartree.com/Round-Plastic-Snack-Containers-with-Flip-Top-Lids-2-ct-Packs/p357583/index.pro#BVRRWidgetID.*

(51) **LOC (10) Cl.** **09-07**

(Continued)

(52) **U.S. Cl.**

USPC **D9/454**; D9/434; D9/435; D7/387;
D7/900

Primary Examiner — Sheryl Lane

Assistant Examiner — Catherine Posthauer

(74) *Attorney, Agent, or Firm* — Bejin Bieneman PLC

(58) **Field of Classification Search**

USPC D3/202, 273, 275, 294; D6/516;
D7/300, 300.1, 316, 317, 387, 391, 392.1,
D7/393, 396.2, 509, 510, 511, 531, 538,
D7/541, 549, 629, 703, 900; D9/434,
D9/435, 438, 439, 440, 443, 446, 447,
D9/448, 449, 450, 452, 453, 454, 502,
D9/503, 504, 529; D19/70, 71, 93, 163,
D19/194; D23/260; D26/36, 123, 124;
D28/7, 76, 78, 82, 91; 206/216, 538,
206/539, 546; 215/12.1, 42, 200, 217,
215/225, 226, 228, 230, 233, 235, 236,
215/237, 238, 249, 251, 253, 254, 305,

(57)

CLAIM

I claim the ornamental design for a container lid, as shown
and described.

DESCRIPTION

FIG. 1 is a perspective view of a container lid;
FIG. 2 is a side view thereof;
FIG. 3 is a top view thereof;
FIG. 4 is a bottom view thereof;
FIG. 5 is a perspective view thereof with one side shown in
an open position;
FIG. 6 is perspective view thereof with the other side shown
in an open position;

(Continued)

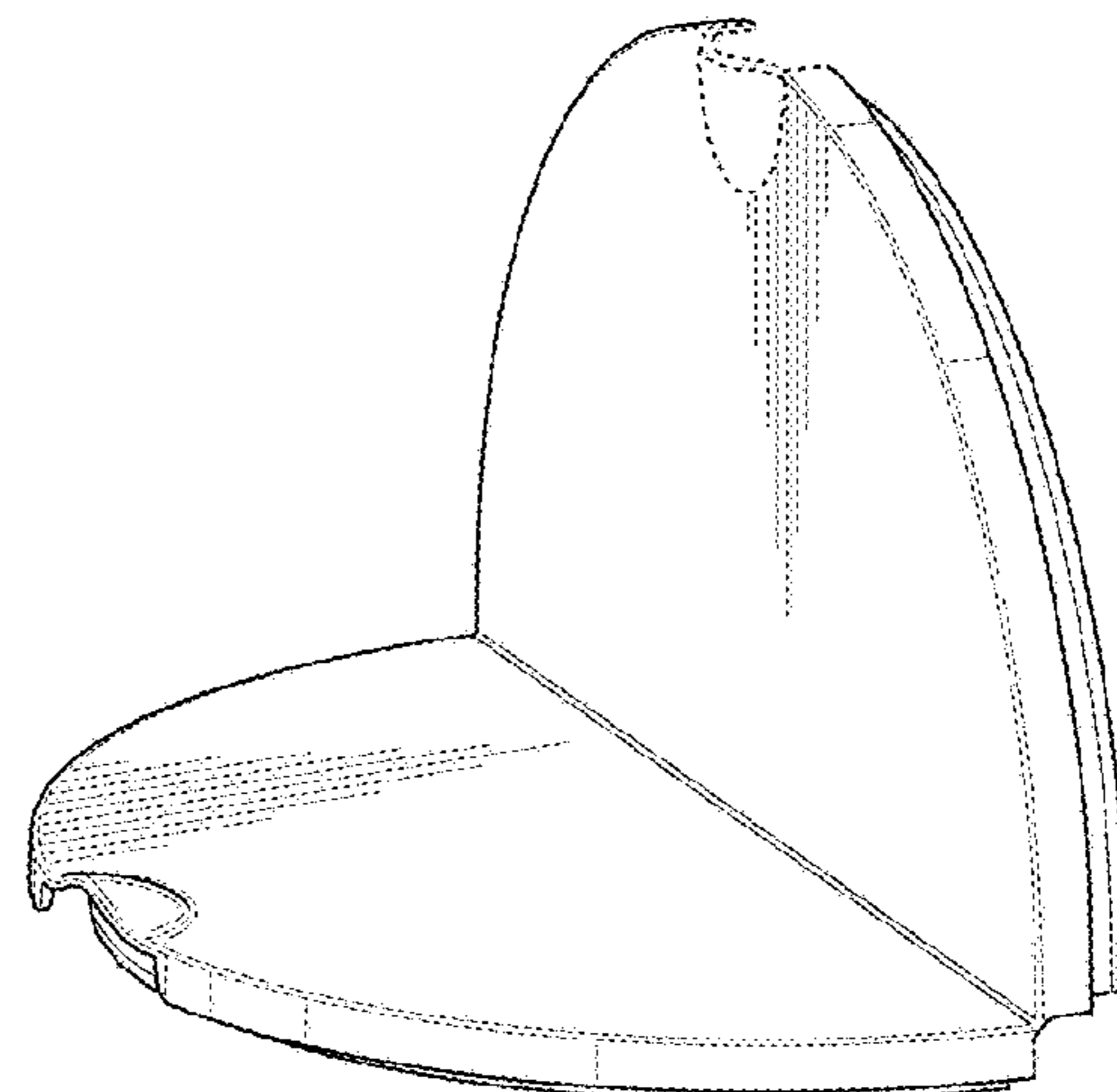
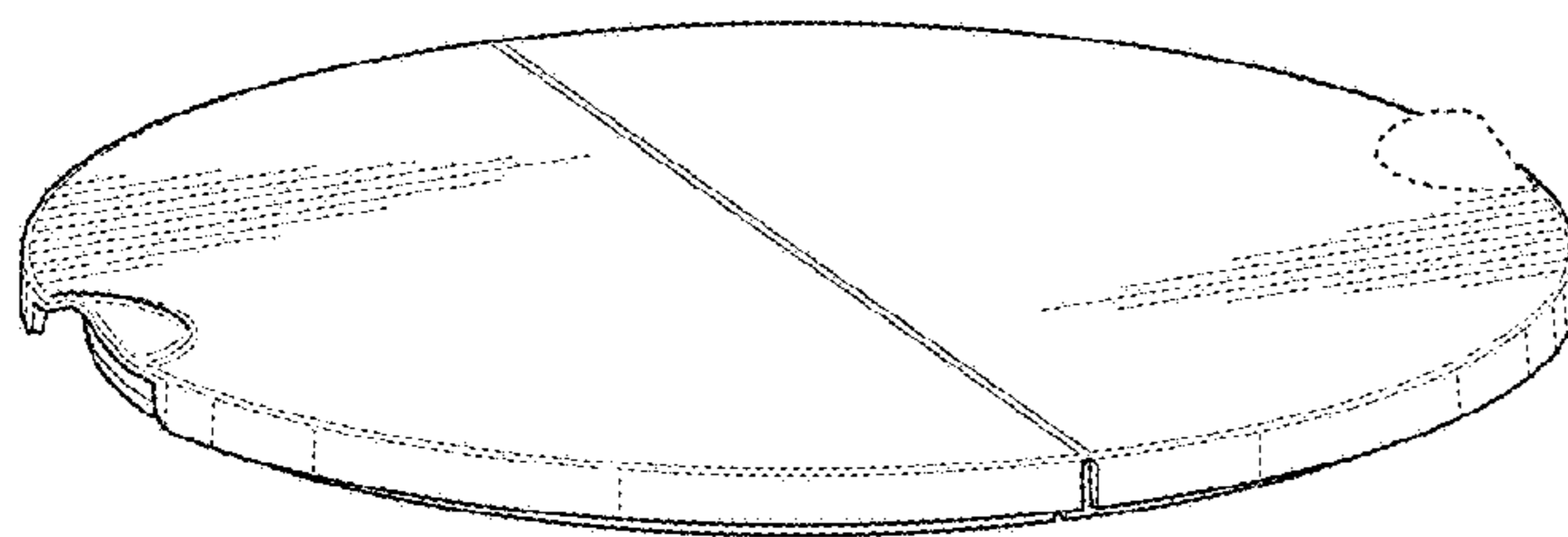


FIG. 7 is a perspective view of the container lid shown in a usage environment forming no part of the claimed design; and,

FIG. 8 is a perspective view thereof with one side in an open position.

The dash-dash broken lines represent parts of the container lid and form no part of the claimed design. The dot-dot-dash broken lines represent environmental subject matter and form no part of the claimed design.

1 Claim, 6 Drawing Sheets

(58) **Field of Classification Search**

CPC A62C 31/02; B65D 1/02; B65D 1/0233; B65D 1/08; B65D 1/10; B65D 23/00; B65D 23/08; B65D 23/10; B65D 25/00; B65D 25/40; B65D 25/42; B65D 25/46; B65D 25/48; B65D 25/77; B65D 39/00; B65D 39/0047; B65D 41/00; B65D 43/00; B65D 43/02; B65D 51/02; B65D 51/04; B05B 17/00; B05B 15/002; A45D 34/00; A45D 34/042; A45D 2040/0006; A45D 2040/093

See application file for complete search history.

(56) **References Cited**

U.S. PATENT DOCUMENTS

D271,554 S	11/1983	Grusin	
D289,719 S	5/1987	Daenen	
D318,234 S *	7/1991	Lillelund	D9/454
5,064,088 A	11/1991	Steffes	
D426,362 S *	6/2000	Kent	D32/53
D439,022 S *	3/2001	Brandeis	D3/308
D448,295 S	9/2001	Mozes	
D448,296 S *	9/2001	Bried	D9/449
D462,613 S *	9/2002	Bried	D3/294

D484,409 S	12/2003	Haggerty	
D522,362 S *	6/2006	Liebe	D9/449
D526,157 S	8/2006	Laib	
D529,800 S *	10/2006	Liebe	D9/449
D532,691 S *	11/2006	Vogel	D9/435
D535,877 S *	1/2007	Tanninen	D9/438
D547,648 S *	7/2007	Solowiejko	D9/421
D552,989 S *	10/2007	Vogel	D9/435
D581,786 S	12/2008	Scheve	
D582,274 S *	12/2008	Vogel	D9/435
D584,612 S	1/2009	Ianello	
D623,064 S *	9/2010	Salmon	D9/524
D628,020 S	11/2010	Lim	
D656,789 S	4/2012	Locke	
D666,878 S	9/2012	Siegel	
D686,491 S	7/2013	Kuo	
D712,263 S *	9/2014	Humm	D9/449
D733,503 S	7/2015	Bagley	
2002/0125203 A1 *	9/2002	Bried	B65D 47/0833 215/235
2004/0118846 A1 *	6/2004	Merolla	B65D 47/08 220/254.2
2013/0068765 A1 *	3/2013	Procter	B65D 43/0212 220/254.3
2014/0326273 A1 *	11/2014	Kalyanpur	A45D 40/24 132/314

OTHER PUBLICATIONS

Bradbury Barrel Acrylic Lid: Announced Oct. 5, 2011 [online], site visited [Dec. 15, 2015]. Available from Internet URL: <https://www.dollartree.com/Round-Plastic-Snack-Containers-with-Flip-Top-Lids-2-ct-Packs/p357583/index.pro#BVRRWidgetID>.
 “32 Litre Coloured Boxes with Wheels and Folding Lid”. Found online Feb. 16, 2016 at [packingboxes.co.uk](http://www.packingboxes.co.uk). Page dated Sep. 26, 2014. Retrieved from <http://www.packingboxes.co.uk/32-litre-coloured-boxes-with-wheels-and-folding-lids/>.
 “50 Litre Smart Storage Box with Folding Lid”. Found online Feb. 16, 2016 at [packingboxes.co.uk](http://www.packingboxes.co.uk). Page dated Jan. 22, 2013. Retrieved from <http://www.packingboxes.co.uk/50l-smart-storage-box-with-folding-lid/>.

* cited by examiner

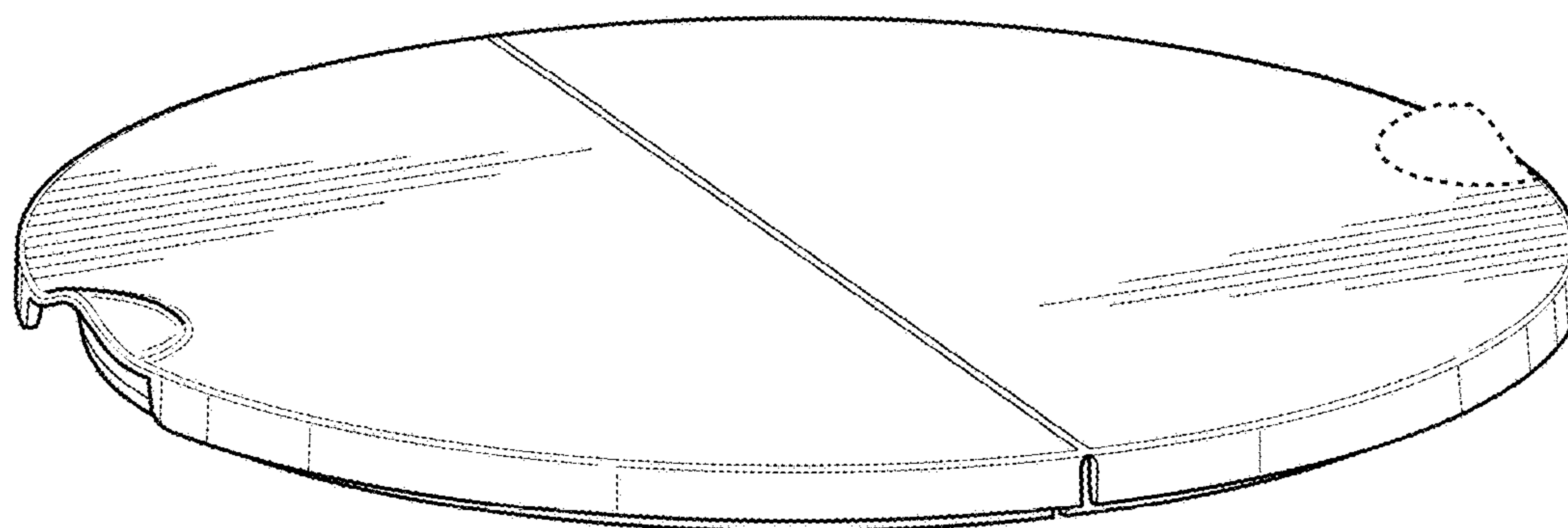


FIG. 1

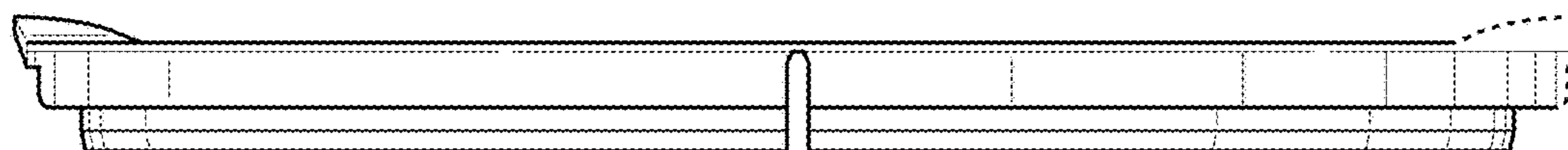


FIG. 2

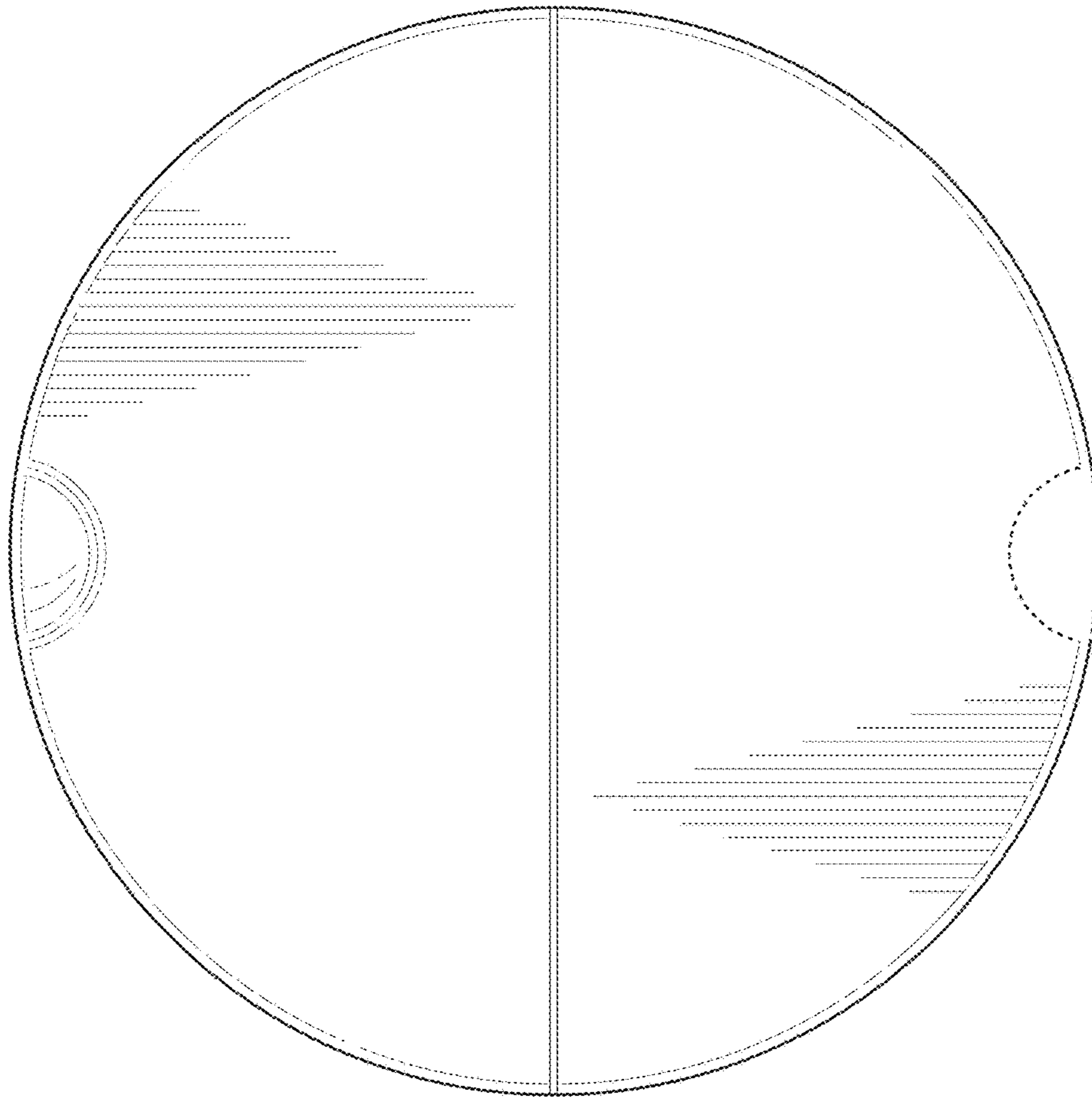


FIG. 3

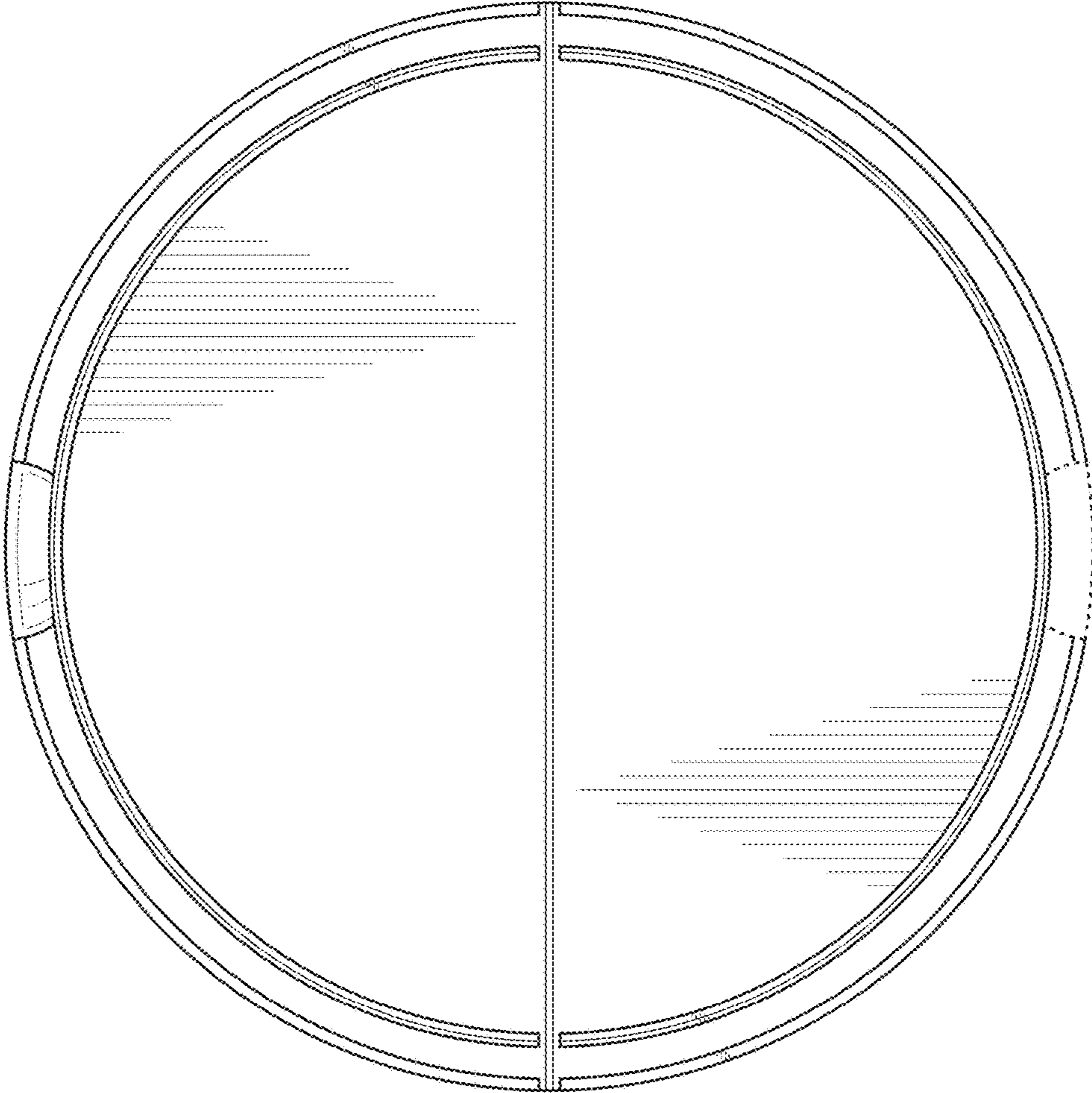


FIG. 4

FIG. 5

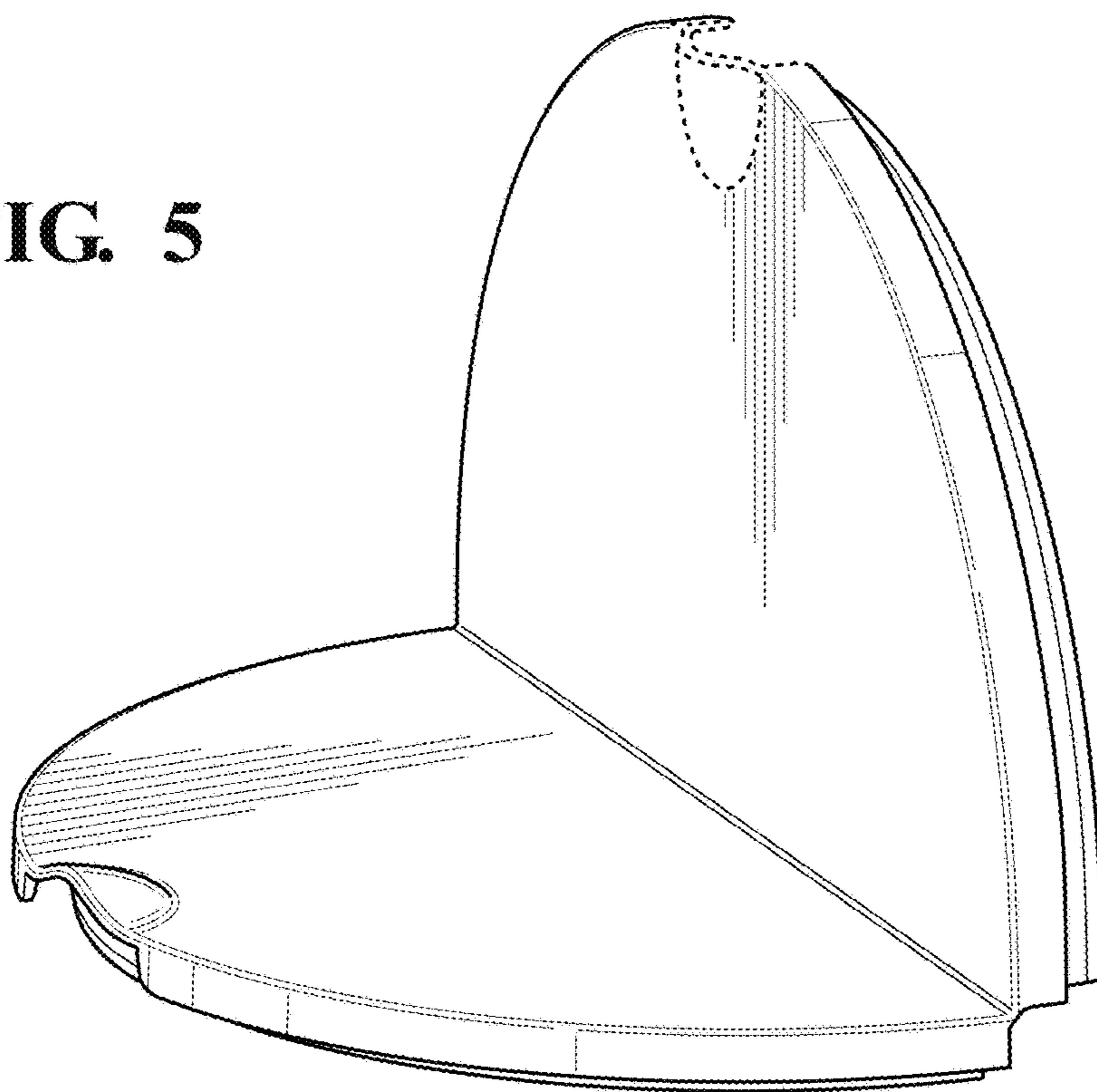
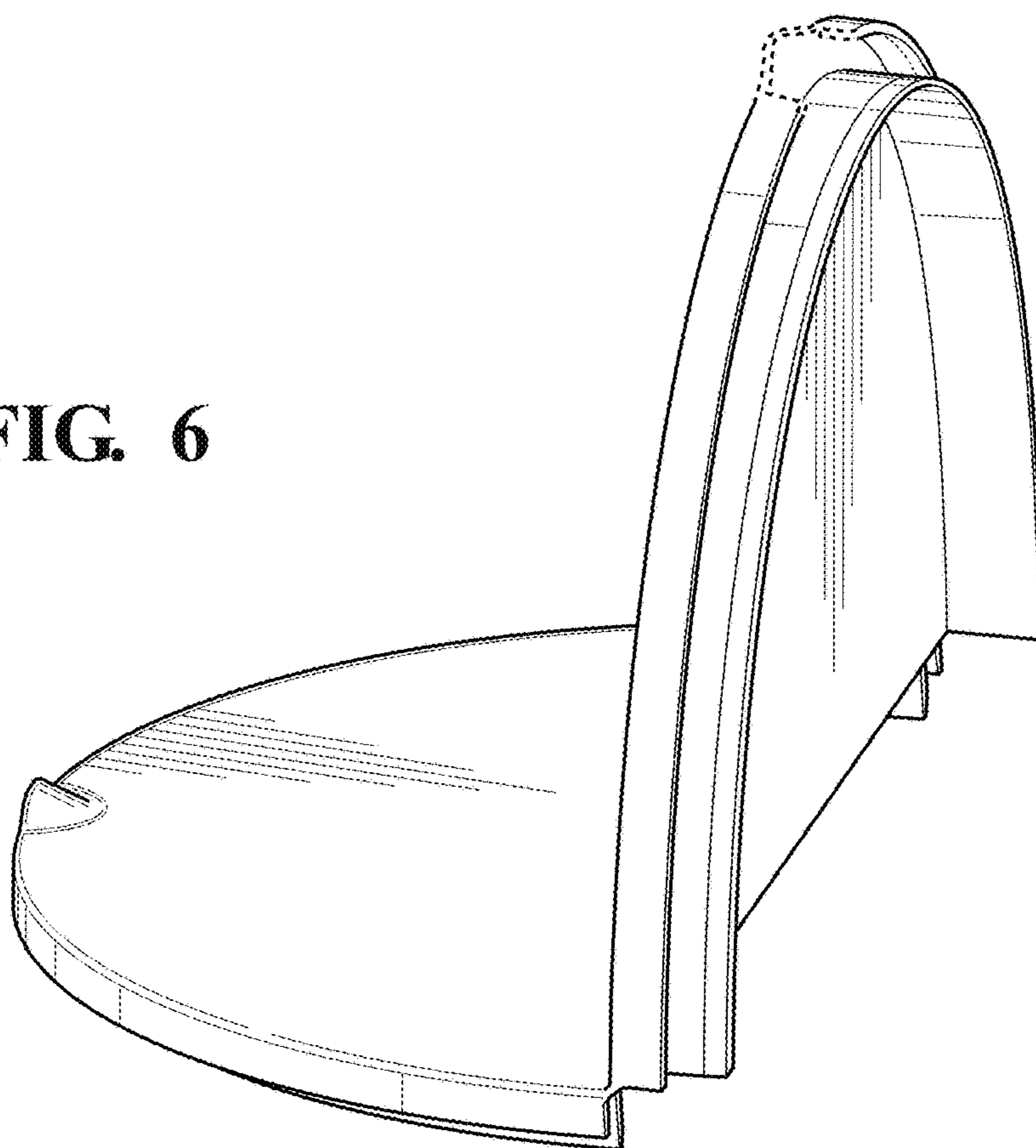


FIG. 6



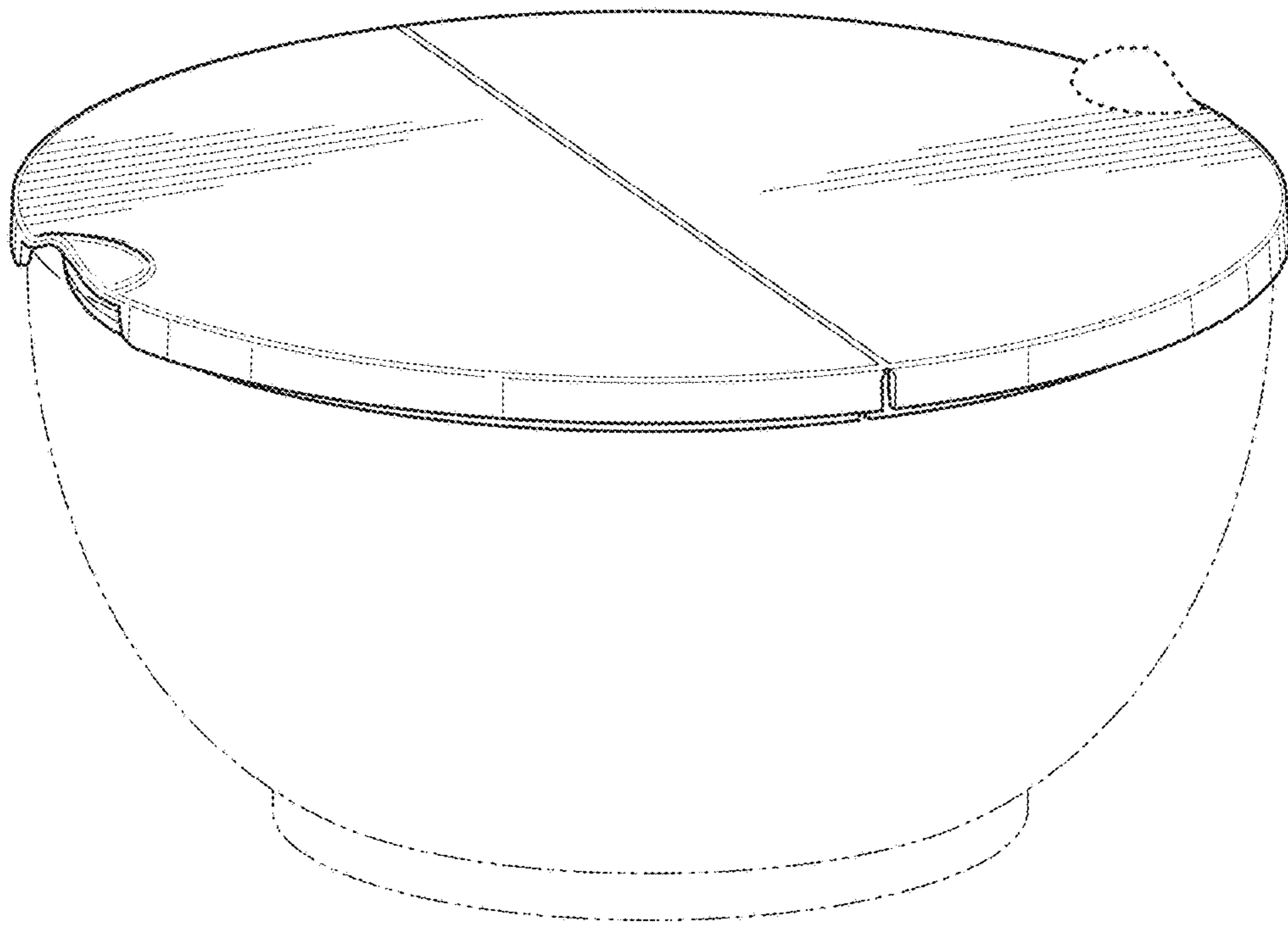


FIG. 7

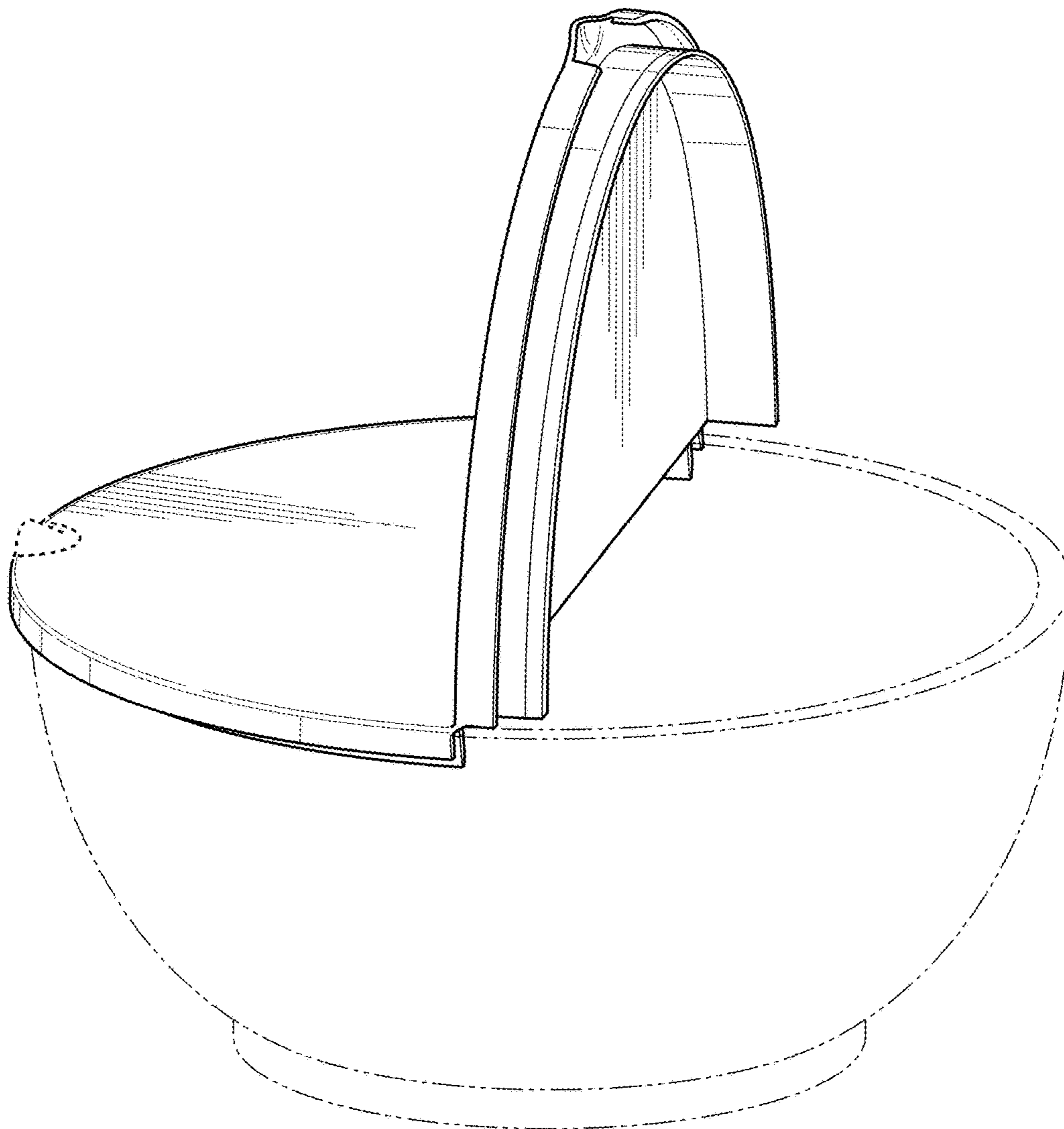


FIG. 8