



US00D784810S

(12) **United States Design Patent** (10) **Patent No.:** **US D784,810 S**
Ozamiz et al. (45) **Date of Patent:** **** Apr. 25, 2017**

(54) **CONTAINER CLOSURE** 2543/00138; B65D 2543/00074; A45D 33/26; A45D 33/28; A45D 33/18

(71) Applicant: **Berlin Packaging, LLC**, Chicago, IL (US) See application file for complete search history.

(72) Inventors: **Katie Ozamiz**, Chicago, IL (US);
Andrew Sanguinet, La Grange Park, IL (US); **Brett Niggel**, Corry, PA (US)

(73) Assignee: **Berlin Packaging, LLC**, Chicago, IL (US)

(**) Term: **14 Years**

(21) Appl. No.: **29/509,788**

(22) Filed: **Nov. 21, 2014**

(51) **LOC (10) Cl.** **09-07**

(52) **U.S. Cl.**
USPC **D9/449; D9/434; D9/435; D9/440**

(58) **Field of Classification Search**
USPC D3/201, 202, 203.1, 318, 273, 294;
D7/300, 300.1, 316, 317, 387, 391, 392.1,
D7/393, 396.2, 509, 510, 511, 531, 538,
D7/541, 549, 629, 703, 900; D34/1, 7,
D34/10, 11, 39; D9/416, 417, 420, 434,
D9/435, 436, 438, 440, 443, 447, 449,
D9/454; D19/70, 71, 93, 163, 194;
D24/121, 182, 194, 197, 199, 224;
D26/36, 123, 124; D28/7, 76, 78, 82, 91;
206/216, 538, 539, 546; 215/12.1, 42,
215/200, 217, 225, 226, 228, 230, 233,
215/235, 236, 237, 238, 249, 251, 253,
215/254, 305, 306, 321, 382; 220/254.2,
220/254.3, 254.5, 254.7, 254.9, 260, 264,
220/266, 285, 368, 521, 711, 714, 811,
220/812, 835, 837; 222/212, 254.5, 375,
222/484, 492, 494, 472, 480, 521, 544,
222/556, 810, 813, 835, 837
CPC B65D 51/20; B65D 47/0847; B65D 47/0804;
B65D 43/161; B65D 43/0212; B65D
47/40; B65D 2543/00269; B65D

(56) **References Cited**

U.S. PATENT DOCUMENTS

D276,597 S * 12/1984 Harris D9/435
D439,516 S * 3/2001 Bakic D9/440
D466,015 S * 11/2002 Faucon D9/435
D505,327 S * 5/2005 Bakic D9/449

(Continued)

FOREIGN PATENT DOCUMENTS

MX 026034-0001 * 9/2008
MX 030109-0001 * 3/2010

Primary Examiner — Thomas Johannes

Assistant Examiner — Catherine Posthauer

(74) *Attorney, Agent, or Firm* — Adam K. Sacharoff;
Much Shelist

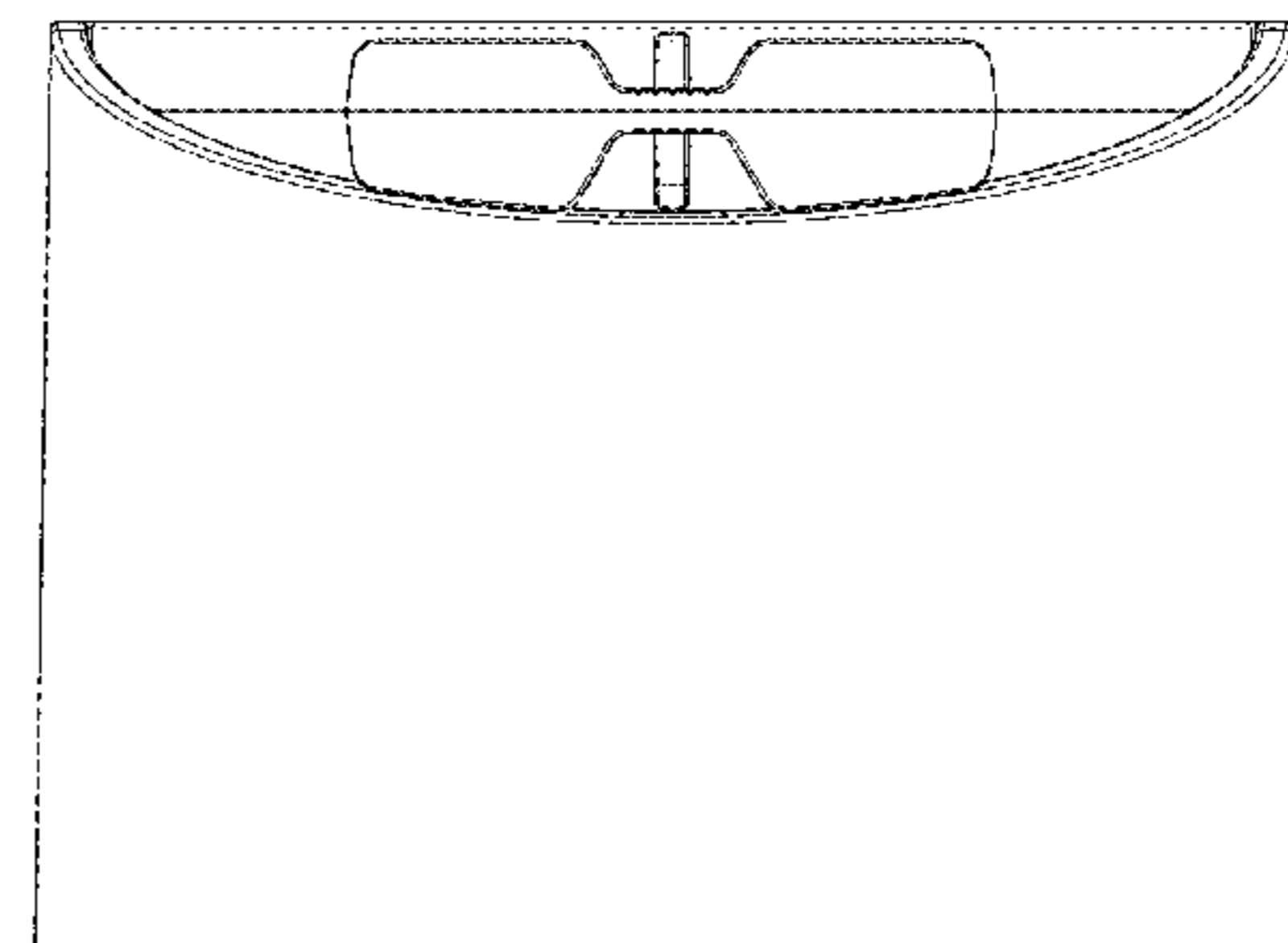
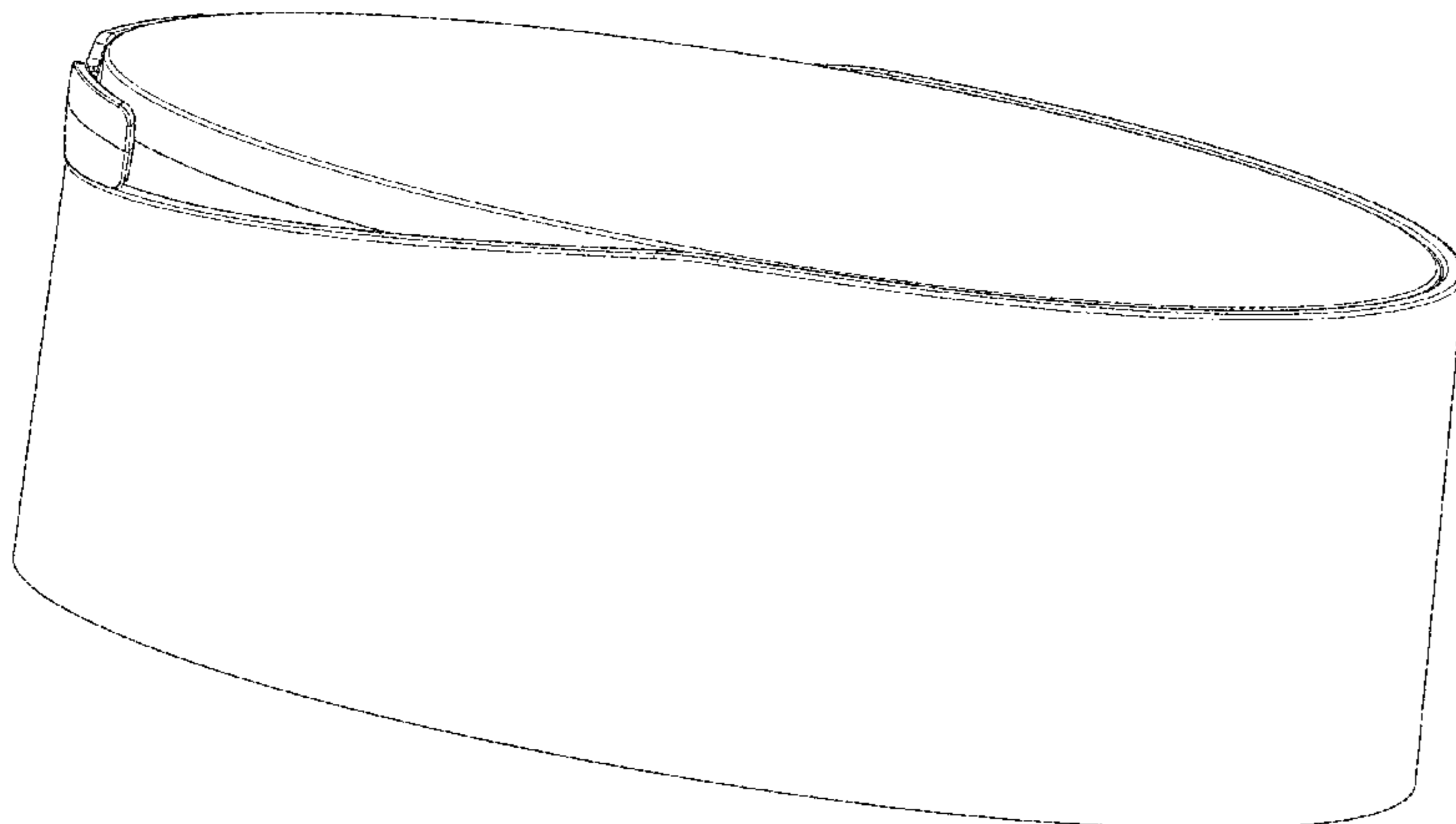
(57) **CLAIM**

The ornamental design for a container closure, as shown and described.

DESCRIPTION

FIG. 1 is a right side perspective view showing the new design;
FIG. 2 is a rear left perspective view thereof;
FIG. 3 is a bottom right side perspective view thereof;
FIG. 4 is a bottom left side perspective view thereof;
FIG. 5 is a right side view thereof;
FIG. 6 is a left side view thereof;
FIG. 7 is a front elevation view thereof;
FIG. 8 is a rear elevation view thereof;
FIG. 9 is a top plan view of FIG. 1; and,
FIG. 10 is a bottom plan view thereof.
The broken lines are shown for the purpose of illustrating parts of the container closure that form no part of the claim.

1 Claim, 10 Drawing Sheets



(56)

References Cited

U.S. PATENT DOCUMENTS

D506,390	S	*	6/2005	Bakic	D9/449
D532,691	S	*	11/2006	Vogel	D9/435
D533,452	S	*	12/2006	Vogel	D9/447
D534,426	S	*	1/2007	Bakic	D9/435
D537,341	S	*	2/2007	Liebe	D9/447
D537,342	S	*	2/2007	Smith	D9/435
D538,160	S	*	3/2007	Liebe	D9/447
D576,038	S	*	9/2008	Mazurkiewicz	D9/449
D576,489	S	*	9/2008	Mazurkiewicz	D9/449
D576,490	S	*	9/2008	Mazurkiewicz	D9/449
D588,913	S	*	3/2009	Bakic	D9/435
D602,354	S	*	10/2009	Dibnah	D9/435
D603,703	S	*	11/2009	Daggett	B65D 43/161
						D9/449
D607,726	S	*	1/2010	Wisniewski	D9/449
D608,639	S	*	1/2010	Jackel	D9/449
D609,568	S	*	2/2010	Mazurkiewicz	D9/449
D612,728	S	*	3/2010	Borstel	D9/449
D648,626	S	*	11/2011	Oates	D9/435
D711,746	S	*	8/2014	Humm	D9/449
D712,262	S	*	9/2014	Humm	D9/449
D755,048	S	*	5/2016	Baissero	D9/449
2015/0320174	A1	*	11/2015	Kim	A45D 33/006
						132/295

* cited by examiner



FIG. 1

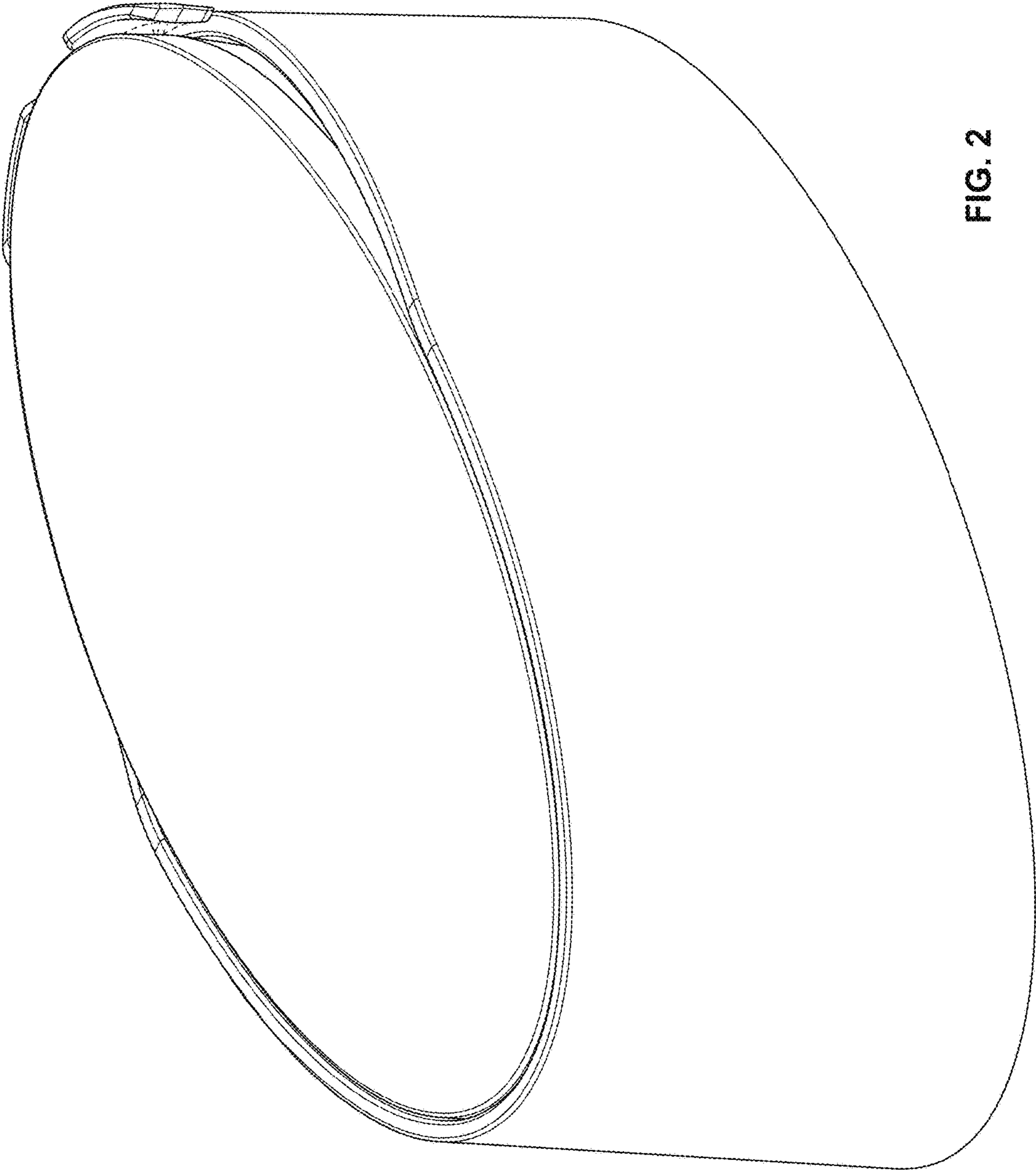


FIG. 2

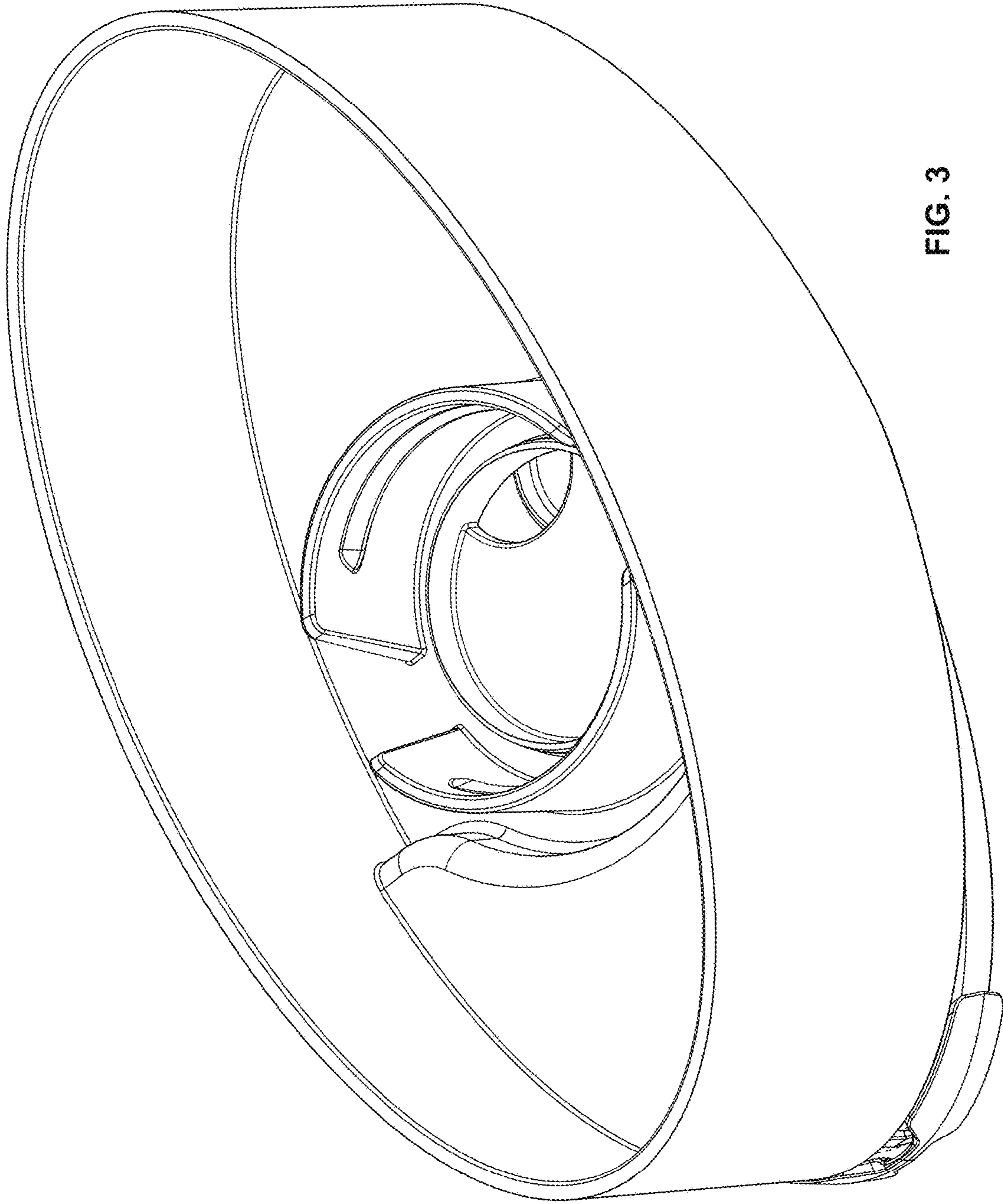


FIG. 3

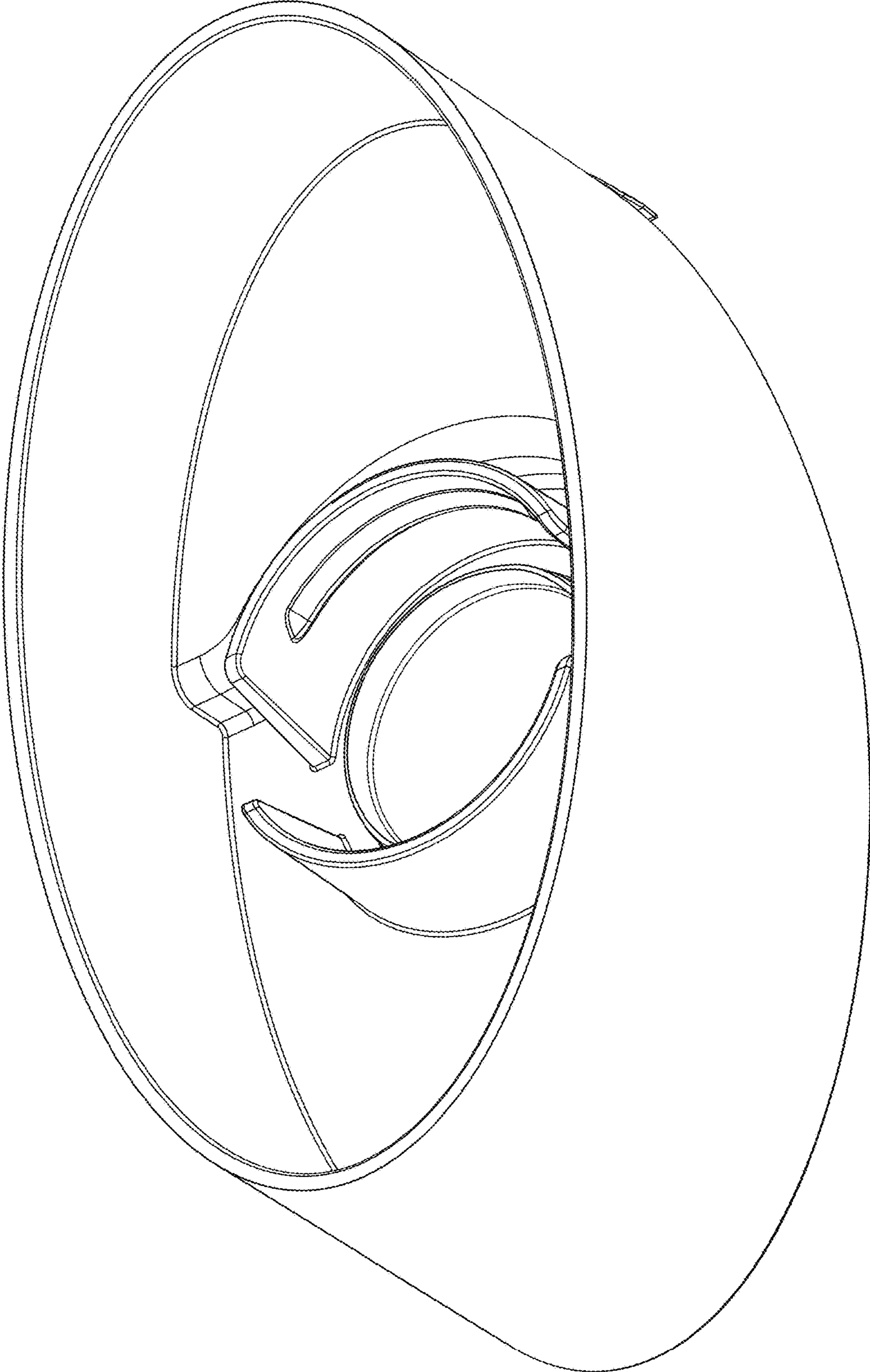


FIG. 4

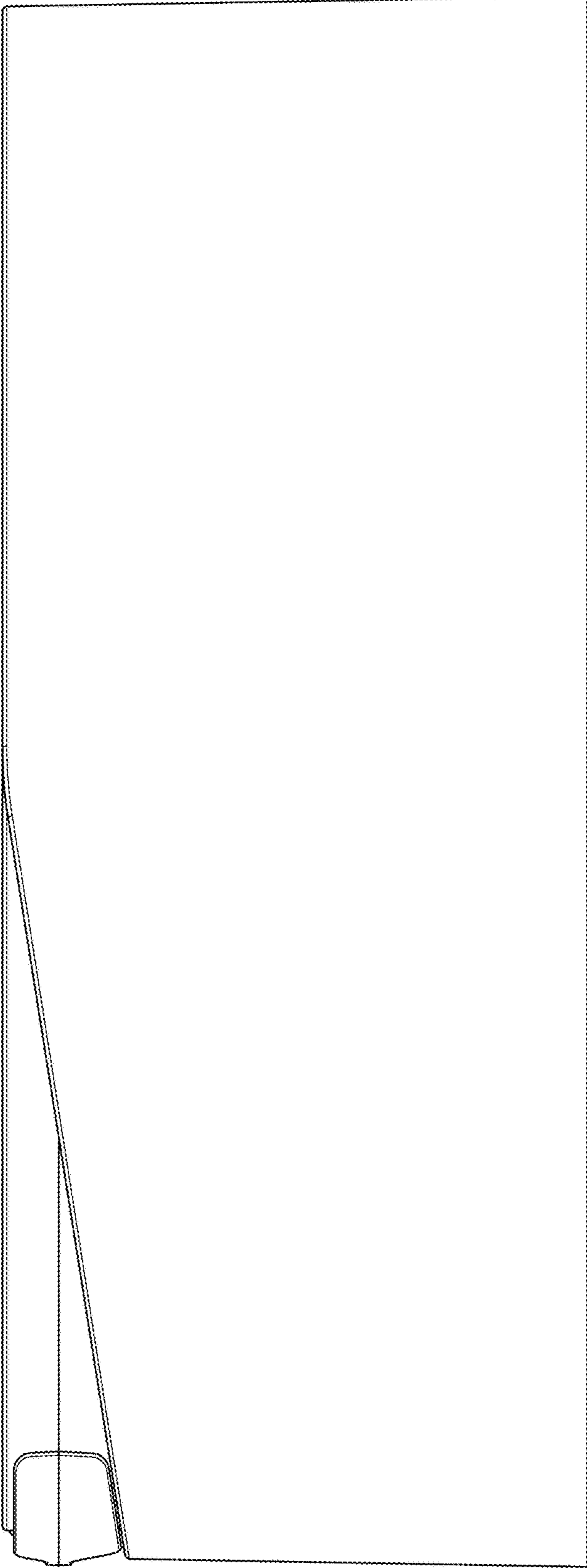


FIG. 5

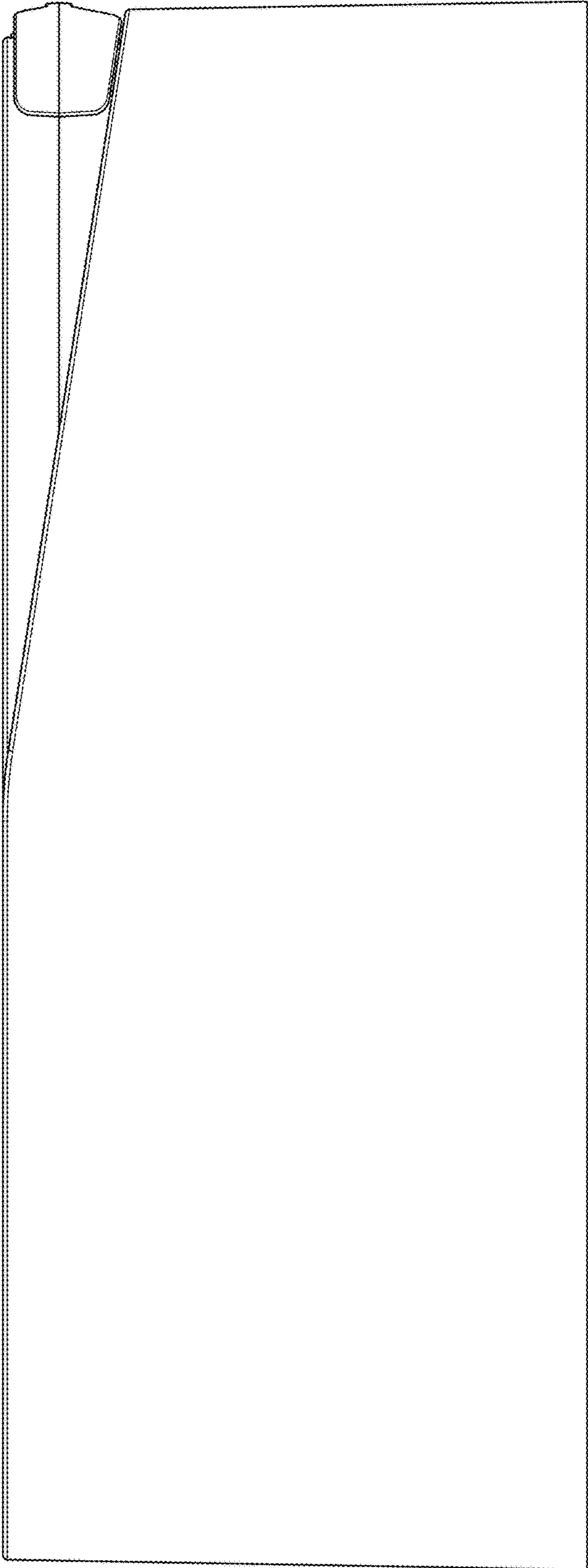


FIG. 6

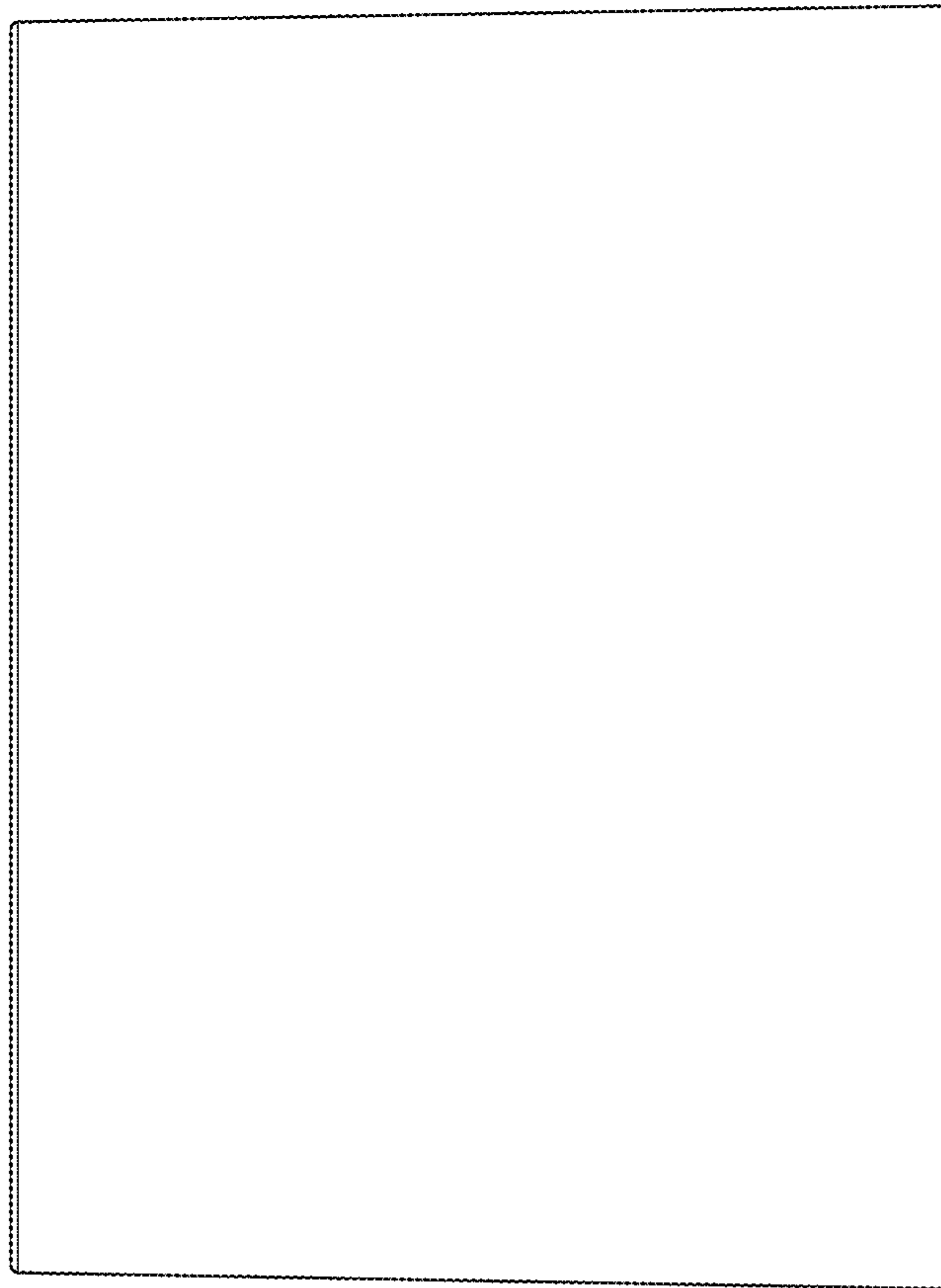


FIG. 7

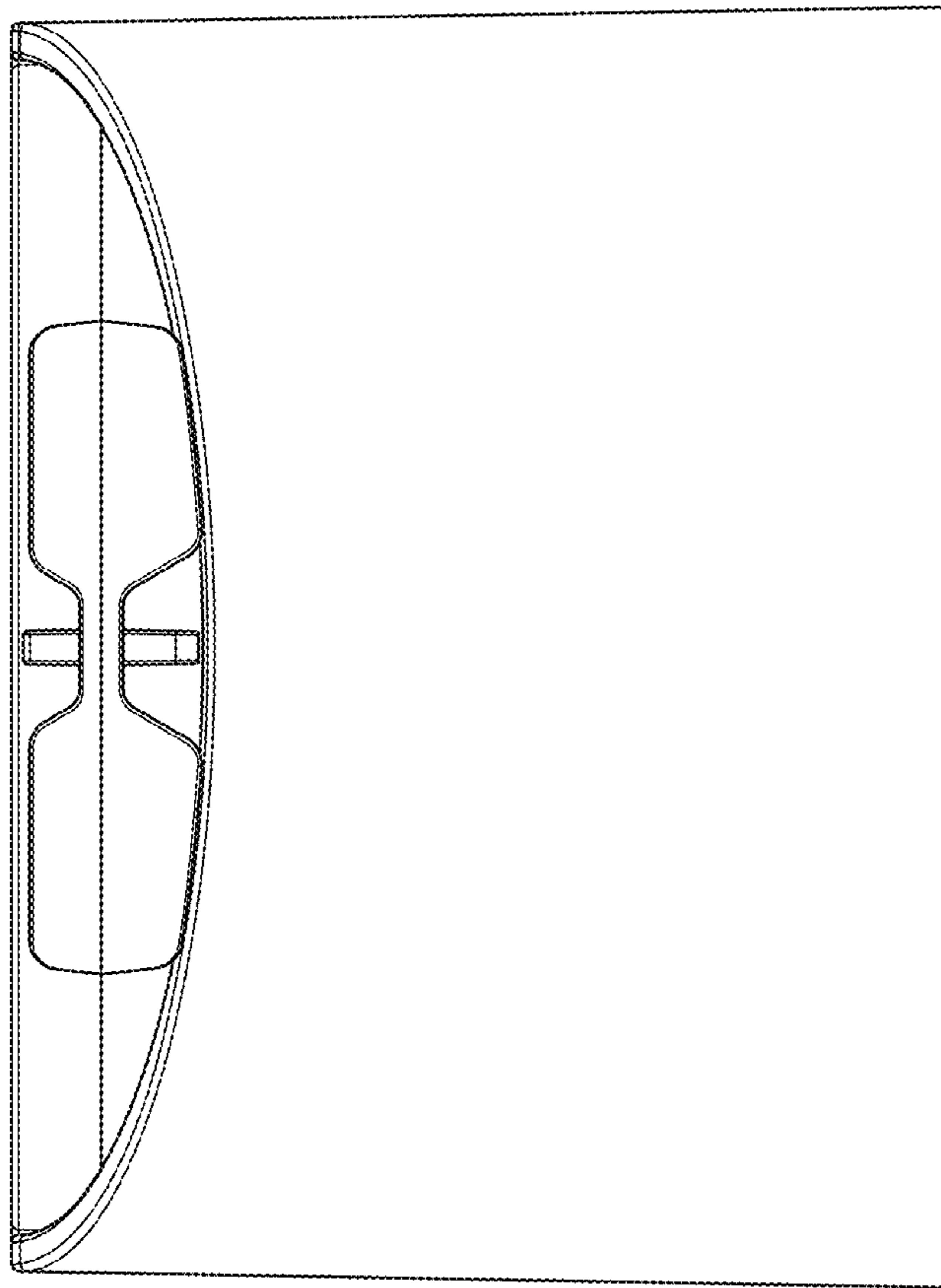


FIG. 8

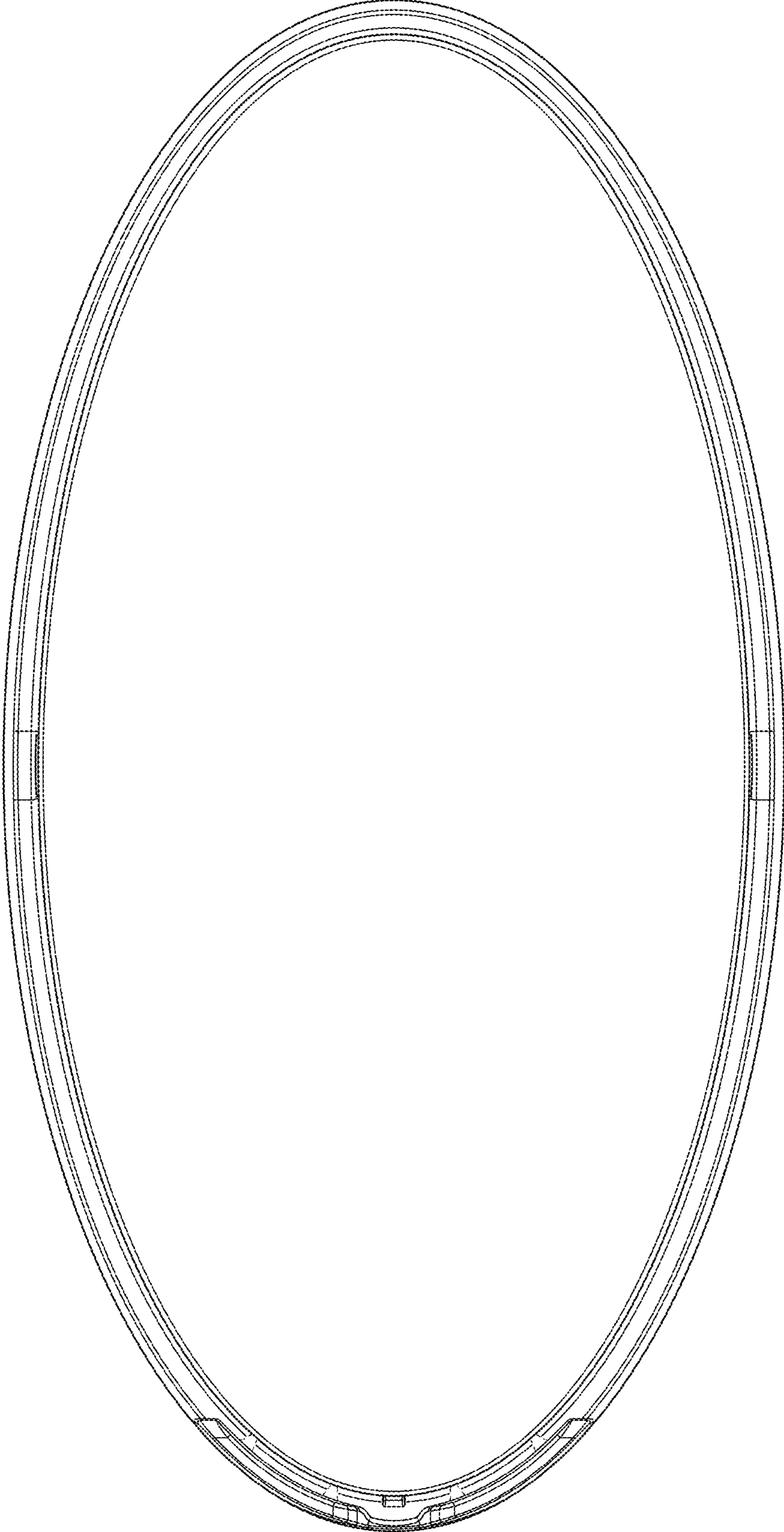


FIG. 9

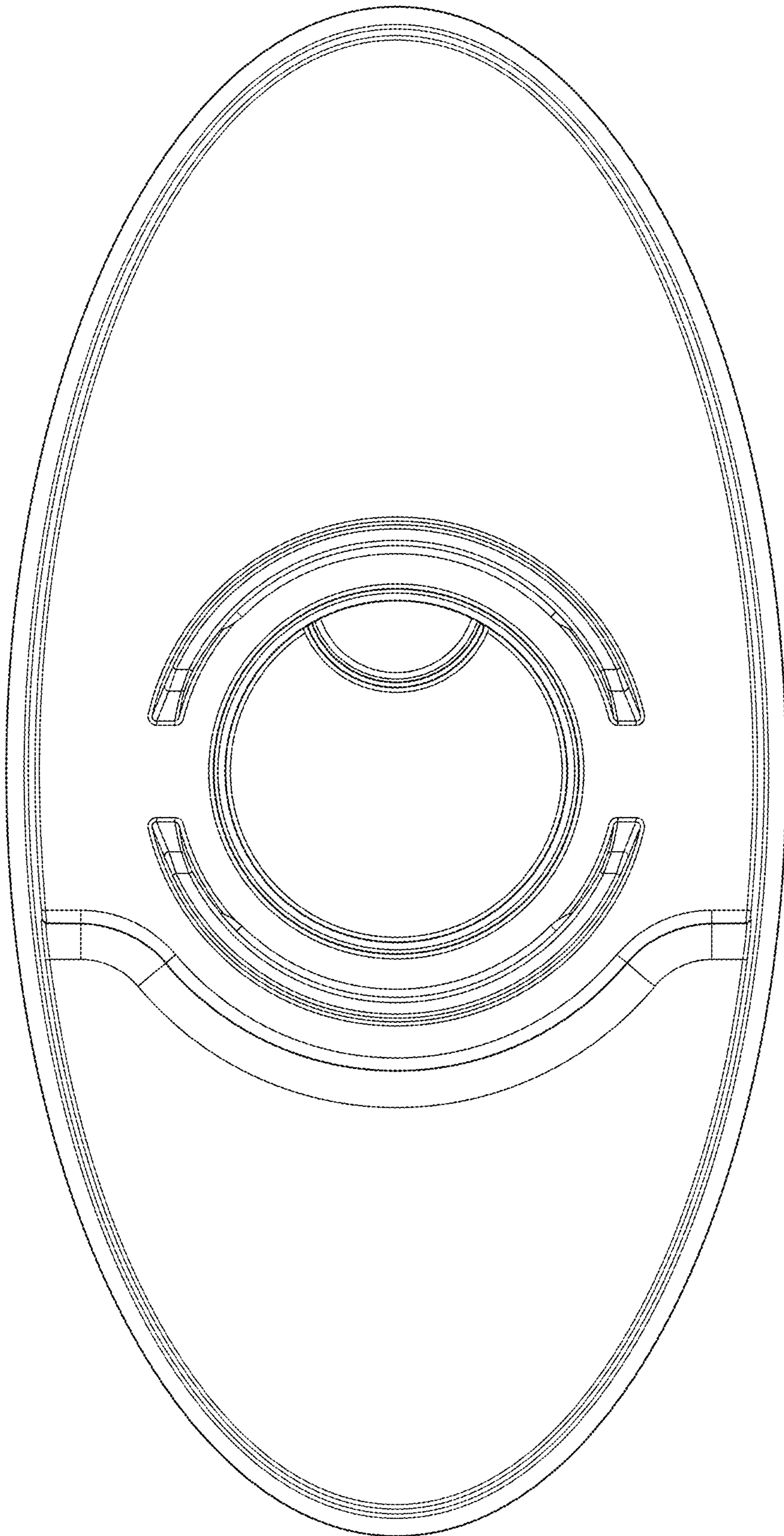


FIG. 10