



US00D784808S

(12) **United States Design Patent**
Berroa Garcia

(10) **Patent No.:** **US D784,808 S**

(45) **Date of Patent:** **** Apr. 25, 2017**

(54) **BOTTLE TOP**

(71) Applicant: **BETAPACK, S.A.U.**, Irun (Guipúzcoa)
(ES)

(72) Inventor: **Francisco Javier Berroa Garcia**, Irun
(ES)

(73) Assignee: **BETAPACK, S.A.U.** (ES)

(**) Term: **15 Years**

(21) Appl. No.: **29/541,584**

(22) Filed: **Oct. 6, 2015**

(51) **LOC (10) Cl.** **09-07**

(52) **U.S. Cl.**
USPC **D9/435; D9/434**

(58) **Field of Classification Search**
USPC D3/202, 203.1, 203.2, 273, 275, 294,
D3/318; D6/516; D7/300, 300.1, 316,
D7/317, 387, 391, 392, 392.1, 393, 396.2,
D7/509, 510, 511, 531, 538, 541, 549,
D7/629, 703, 900; D9/434, 435, 438,
D9/439, 440, 443, 446, 447, 448, 449,
D9/450, 452, 453, 454, 502, 503, 504,
D9/529; D19/70, 71, 93, 163, 194;
D26/36, 123, 124; D28/7, 76, 78, 82, 91;
206/216, 538, 539, 546; 215/12.1, 42,
215/200, 217, 225, 226, 228, 230, 233,
215/235, 236, 237, 238, 249, 251, 253,
215/254, 305, 306, 321, 382; 220/254.2,
220/254.3, 254.4, 254.5, 254.7, 254.9,
220/260, 264, 266, 285, 368, 521, 711,
220/714, 811, 812, 835, 837; 222/212,
222/254.5, 375, 484, 492, 494, 472, 480,
222/521, 544, 556, 810, 813, 835, 837;
D24/121, 127, 194, 224; D8/349, 350,
D8/352
CPC A45D 34/00; A45D 34/042; A45D 40/22;
A45D 2040/0006; A45D 2040/0093;
A47G 19/22; A47G 19/2205; A47G
19/2255; A47G 19/2266; A62C 31/02;

B65D 1/02; B65D 1/0233; B65D 1/08;
B65D 1/10; B65D 23/00; B65D 23/08;
B65D 25/00; B65D 25/40; B65D 25/42;
B65D 25/46; B65D 25/48; B65D 25/77;
B65D 39/00; B65D 39/0047; B65D
41/00; B65D 43/02; B65D 51/02; B65D
51/04; B05B 17/00; B05B 15/002

See application file for complete search history.

(56) **References Cited**

U.S. PATENT DOCUMENTS

D322,940 S *	1/1992	Rivera	D9/435
5,197,618 A *	3/1993	Goth	B65D 51/20 206/484.2
D339,958 S *	10/1993	Olsen	D7/392.1
D359,451 S *	6/1995	Dees	D9/443
5,593,054 A *	1/1997	Glynn	B65D 50/062 215/206

(Continued)

Primary Examiner — Thomas Johannes

Assistant Examiner — Catherine Posthauer

(74) *Attorney, Agent, or Firm* — Hayes Soloway PC

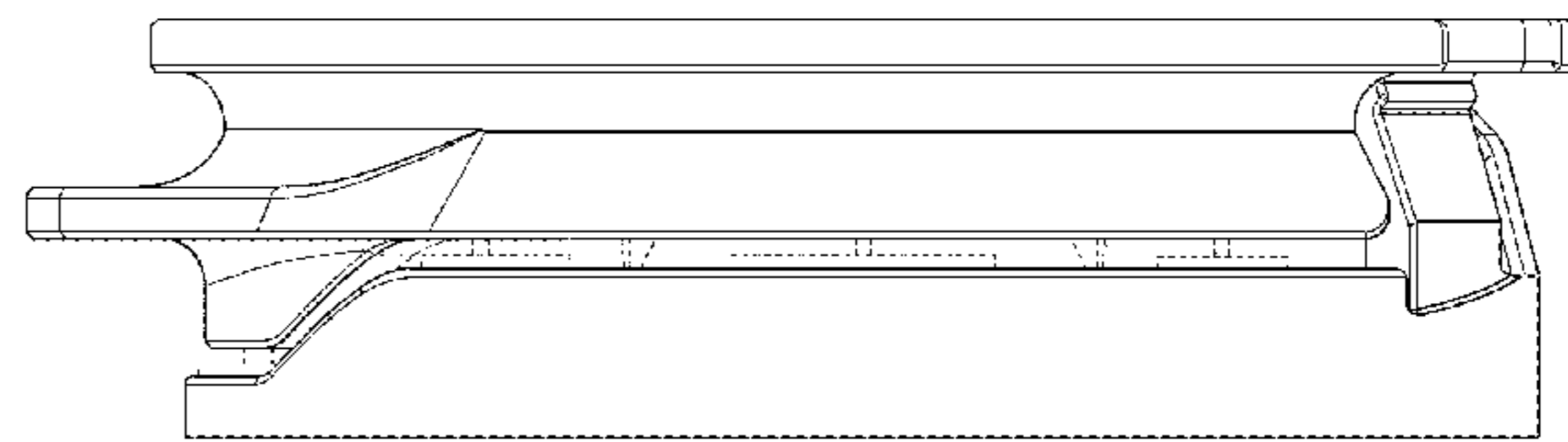
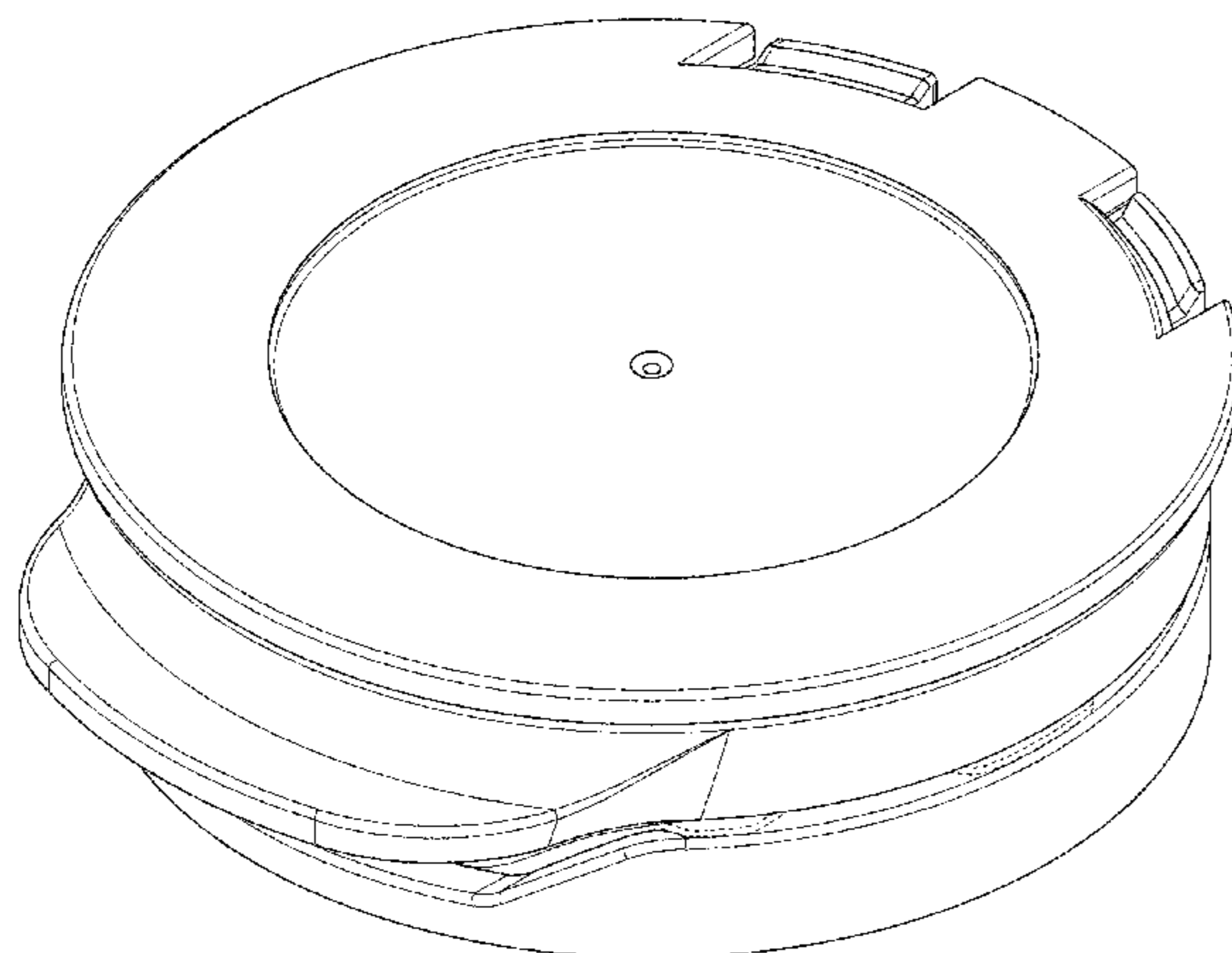
(57) **CLAIM**

I claim the ornamental design for a bottle top, as shown and described.

DESCRIPTION

FIG. 1 is a top perspective view showing my new design;
FIG. 2 is a right side view thereof;
FIG. 3 is a top view thereof;
FIG. 4 is a front side view thereof;
FIG. 5 is a left side view thereof;
FIG. 6 is a bottom side view thereof;
FIG. 7 is a rear view thereof; and,
FIG. 8 is a bottom perspective view thereof.
The broken lines are shown for the purpose of illustrating parts of the article that form no part of the claim.

1 Claim, 8 Drawing Sheets



(56)

References Cited

U.S. PATENT DOCUMENTS

D390,461	S *	2/1998	Piselli	D9/435
D436,034	S *	1/2001	Wolff	D9/417
D445,687	S *	7/2001	Gilbertson	D7/392.1
D472,145	S *	3/2003	Nottingham	D9/443
D526,562	S *	8/2006	Jelich	D9/435
D527,261	S *	8/2006	Hornke	D9/454
D528,359	S *	9/2006	Laib	D7/392.1
D535,880	S *	1/2007	Penfold	D9/454
D558,513	S *	1/2008	Scholze	D7/392.1
D595,899	S *	7/2009	Krause-Neufeldt	D28/82
D628,894	S *	12/2010	Pontes	D9/454
D632,563	S *	2/2011	Sitabkhan	D9/435
D640,556	S *	6/2011	Bragg	D9/449
D651,508	S *	1/2012	Layfield	D9/416
D663,202	S *	7/2012	Biesecker	D9/449
D677,398	S *	3/2013	Belfance	D24/224
2006/0219652	A1 *	10/2006	Grant	B65D 55/16 215/237
2008/0173647	A1 *	7/2008	Ochoa Laburu	B65D 47/08 220/282
2008/0237178	A1 *	10/2008	Ochoa Laburu	B65D 23/065 215/245
2011/0068079	A1 *	3/2011	Luzatto	B65D 41/185 215/253
2015/0129531	A1 *	5/2015	Gatton	B65D 50/041 215/201

* cited by examiner

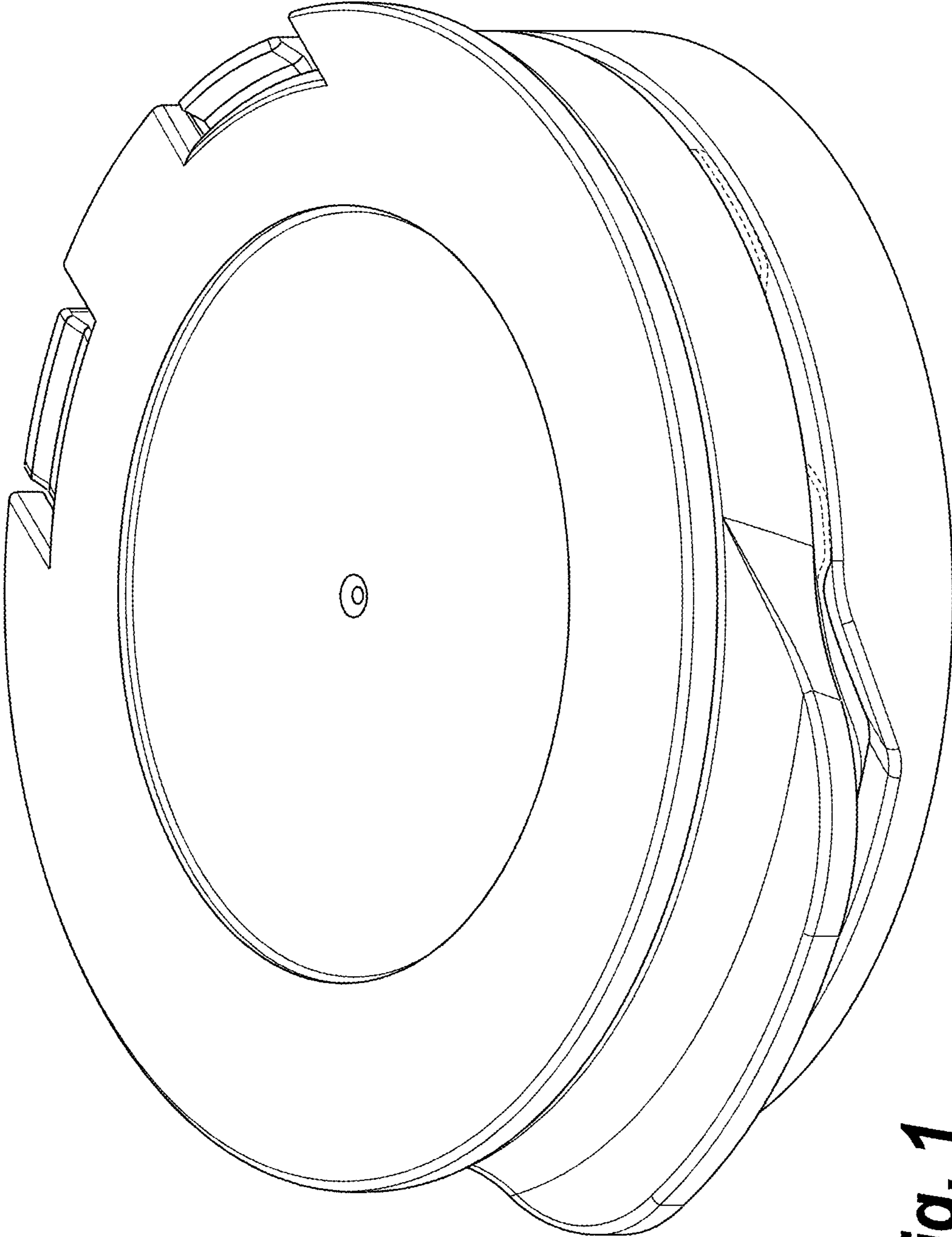


Fig. 1

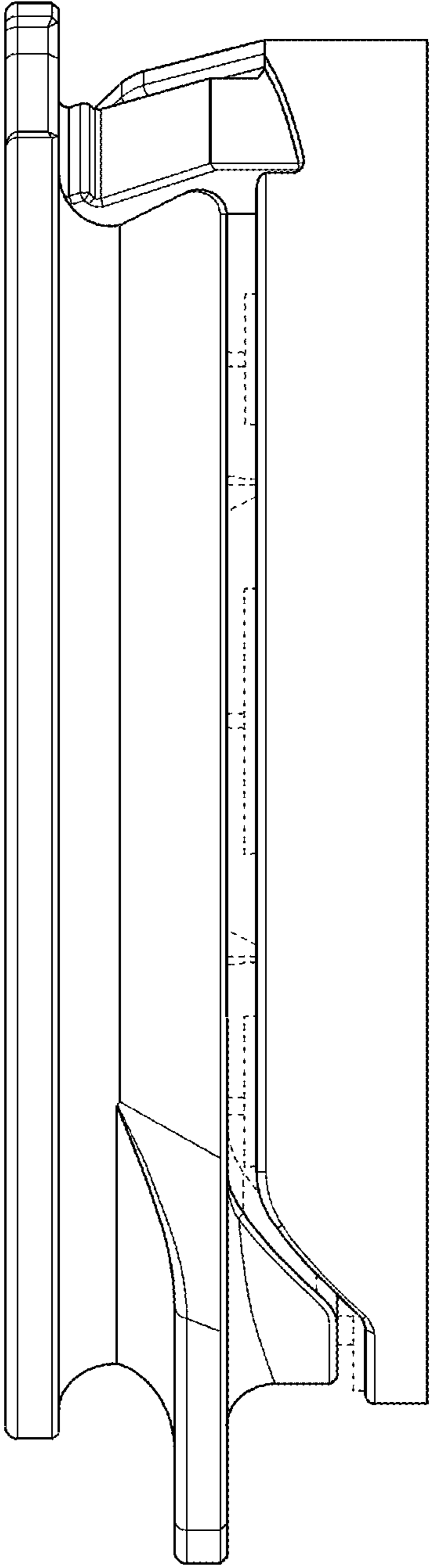


Fig. 2

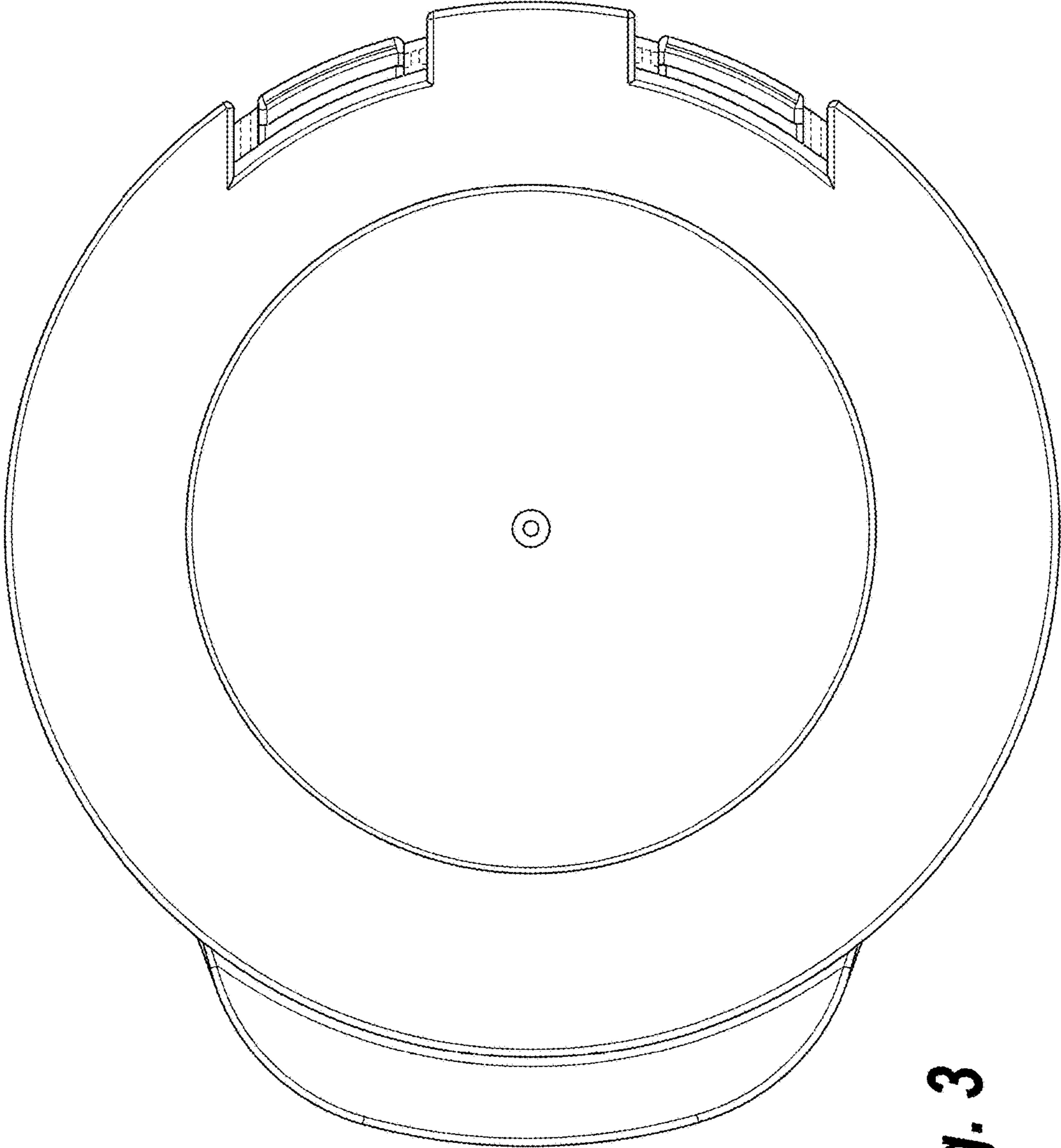


Fig. 3

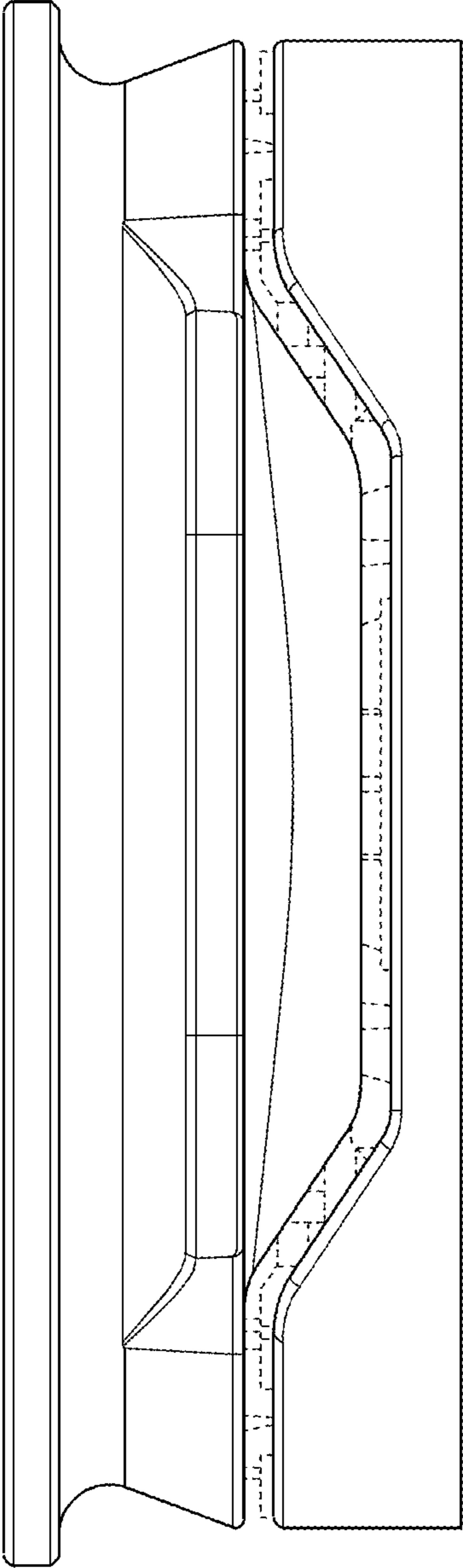


Fig. 4

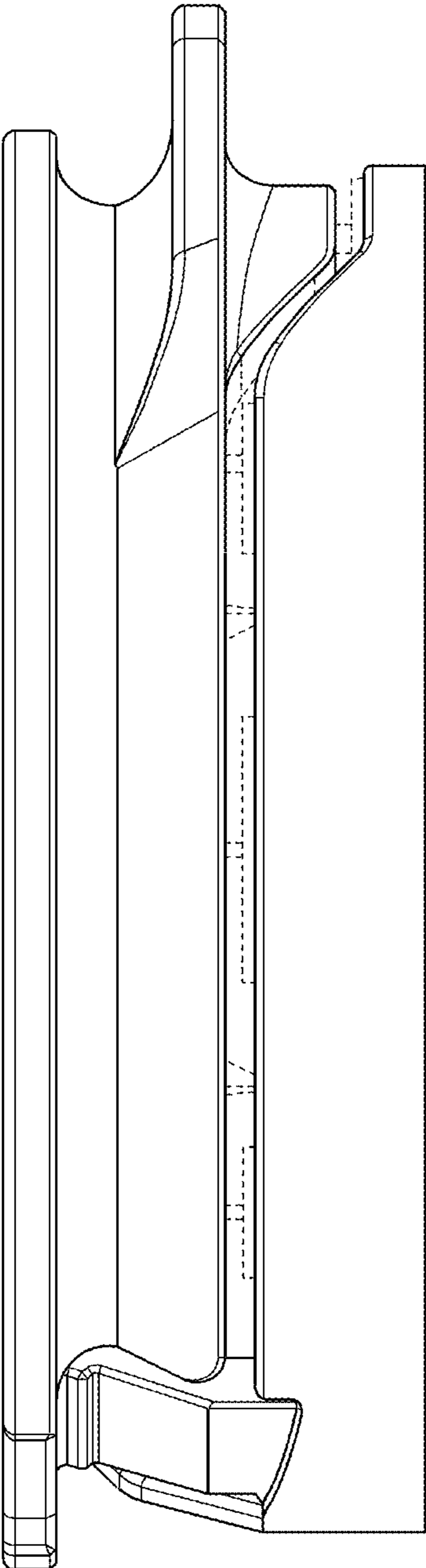


Fig. 5

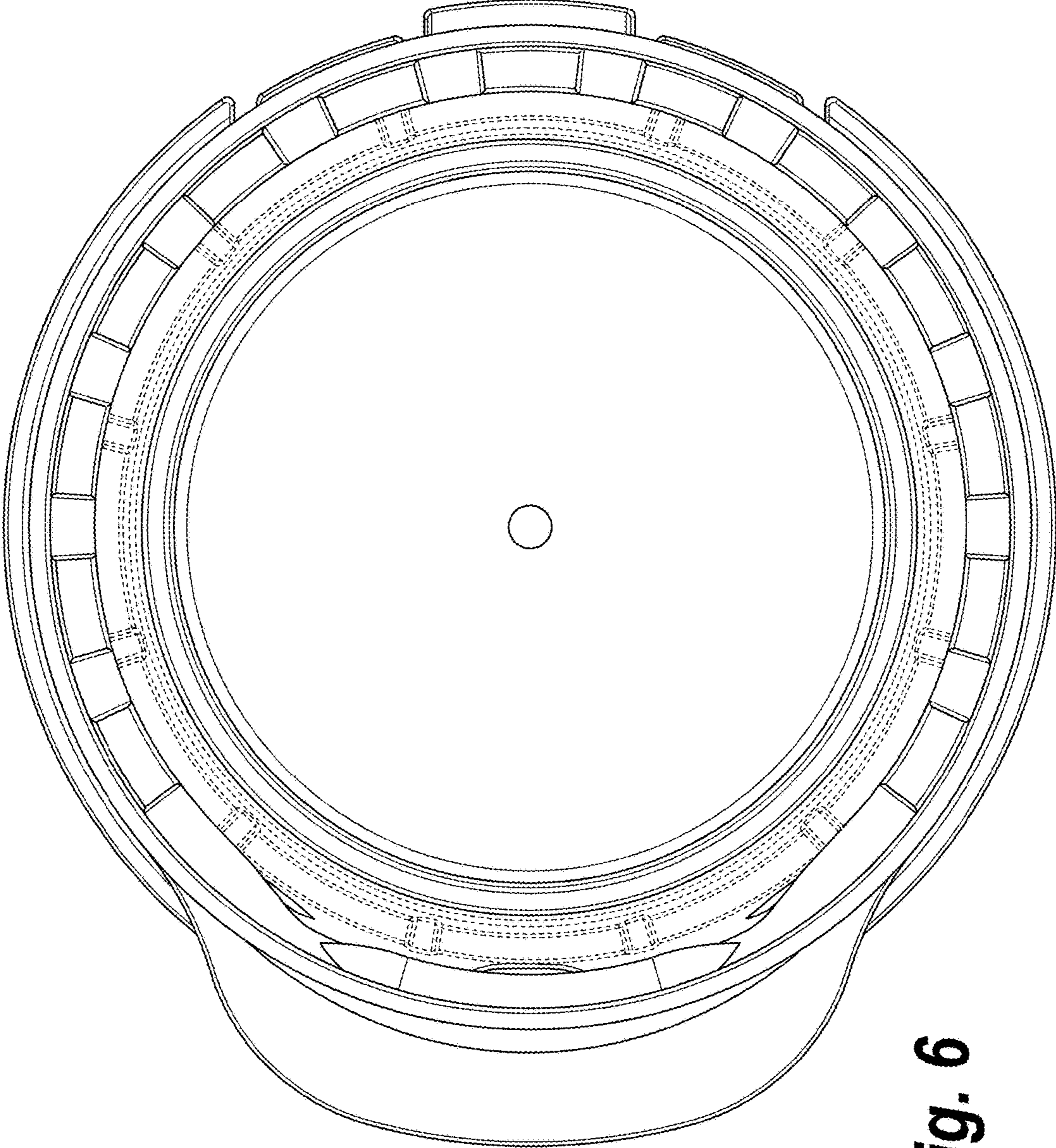


Fig. 6

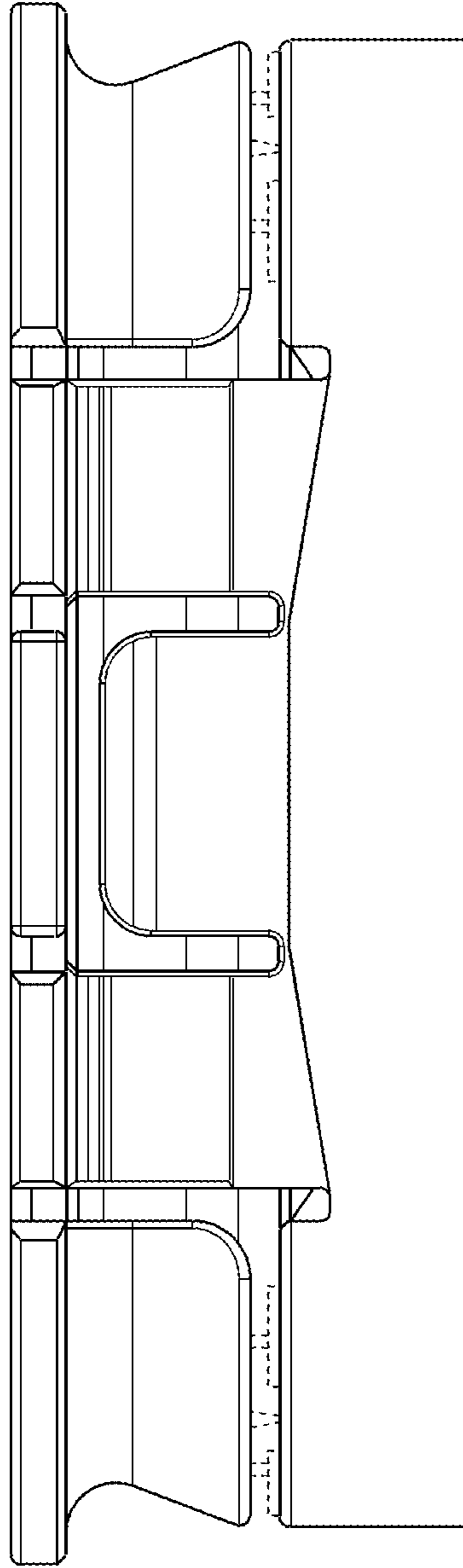


Fig. 7

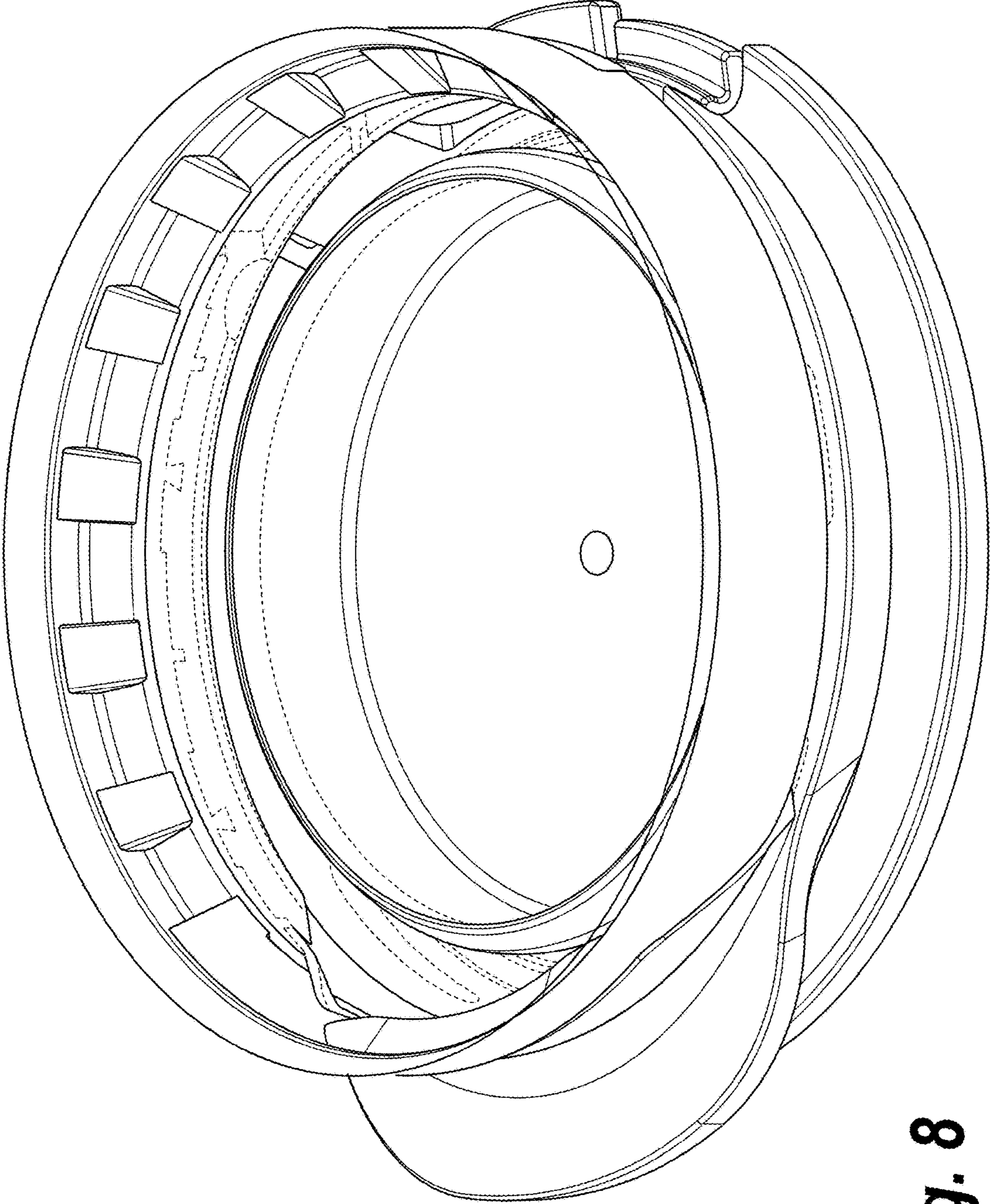


Fig. 8