



US00D784799S

(12) **United States Design Patent** (10) **Patent No.:** **US D784,799 S**
Toll et al. (45) **Date of Patent:** **** Apr. 25, 2017**

(54) **ADJUSTABLE P-CLAMP**

D625,585 S * 10/2010 Kramer D8/380
D672,229 S * 12/2012 Reid D8/396
D711,730 S * 8/2014 Mckiernan D8/396

(71) Applicant: **HellermannTyton Corporation,**
Milwaukee, WI (US)

(Continued)

(72) Inventors: **Michael Toll**, Whitefish Bay, WI (US);
Gerard G. Geiger, Jackson, WI (US);
Christopher J. Rohde, West Allis, WI
(US); **Jonathan Zick**, Waukesha, WI
(US); **Walter Patrick Trautfield**,
Milwaukee, WI (US)

FOREIGN PATENT DOCUMENTS

CN 3495030 * 12/2005
CN 303223493 * 5/2015
KR 300825369.0000 * 11/2015

(73) Assignee: **Hellermann Tyton Corporation,**
Milwaukee, WI (US)

OTHER PUBLICATIONS

HellermannTyton, P-clamp, article date Feb. 2, 2016, <http://www.hellermanntyton.us/news.aspx?n=3801>, [site visited Nov. 30, 2016 6:20:38 PM].*

(**) Term: **15 Years**

(Continued)

(21) Appl. No.: **29/560,432**

Primary Examiner — John Windmuller

(22) Filed: **Apr. 6, 2016**

Assistant Examiner — John R Yeh

(51) **LOC (10) Cl.** **08-08**

(74) *Attorney, Agent, or Firm* — Ryan Kromholz & Manion, S.C.

(52) **U.S. Cl.**

USPC **D8/396**

(58) **Field of Classification Search**

USPC D8/382, 394–396, 71–74, 354–355, 380

CPC F16B 2/10; B64D 37/005; B64D 47/00;

F16L 3/237; A43D 79/00; A41B 3/08

See application file for complete search history.

(57) **CLAIM**

The ornamental design for an adjustable P-clamp, as shown and described.

DESCRIPTION

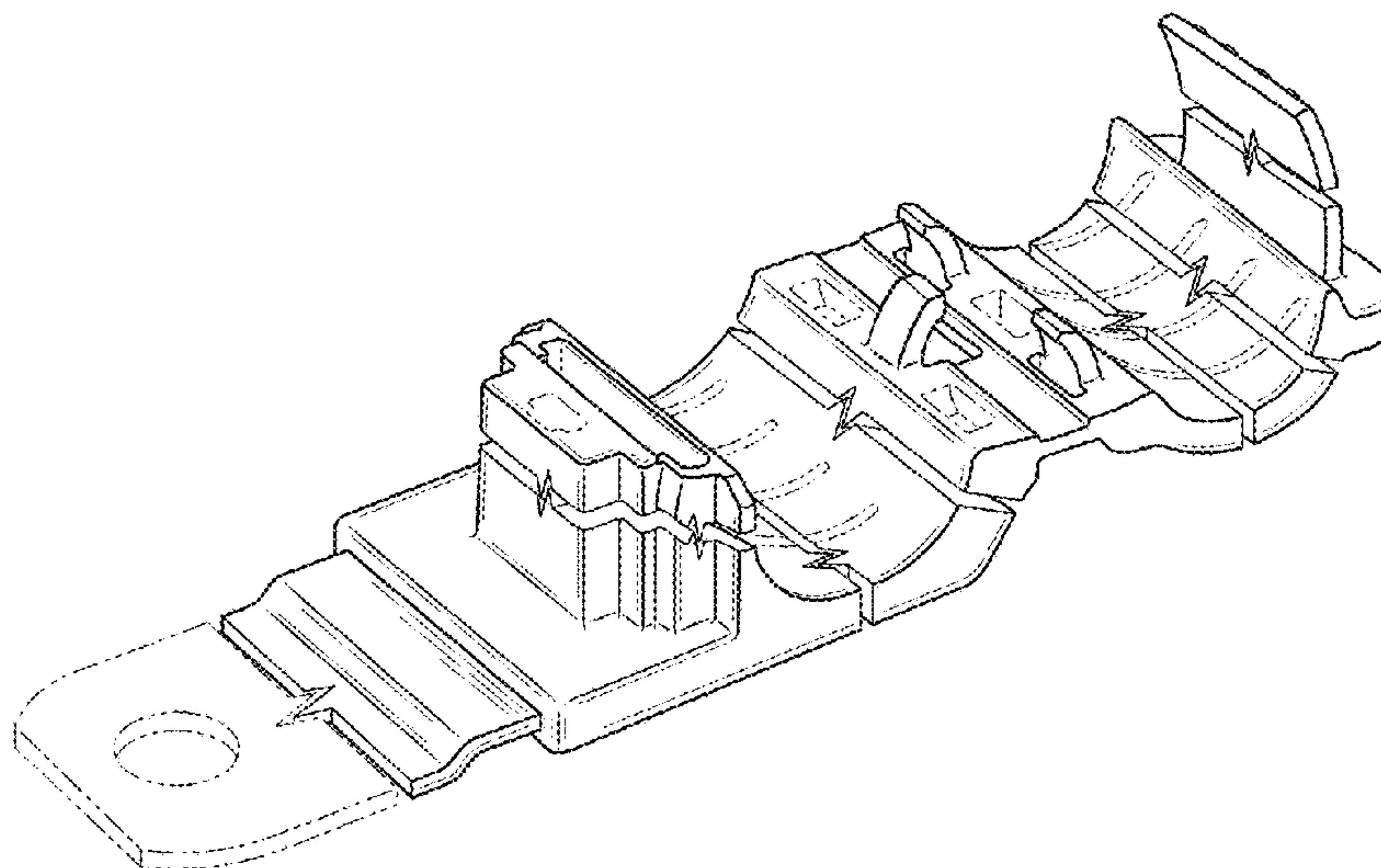
(56) **References Cited**

U.S. PATENT DOCUMENTS

D263,332 S * 3/1982 Butterfield D8/396
D305,099 S * 12/1989 Naruse D8/382
5,020,749 A 6/1991 Kraus
D380,144 S * 6/1997 Lew D8/380
D411,440 S * 6/1999 Stahel D8/396
D414,404 S * 9/1999 van de Lande D8/396
D516,903 S * 3/2006 Friedline D8/380
7,284,728 B2 * 10/2007 Connolly F16L 3/11
248/58
D562,677 S * 2/2008 Farber D8/380
D577,423 S * 9/2008 Dole D23/265
D614,947 S * 5/2010 Hennon D8/380

FIG. 1 is a perspective view of a first embodiment;
FIG. 2 is a front elevation view thereof;
FIG. 3 is a back elevation view thereof;
FIG. 4 is a top plan view thereof;
FIG. 5 is a bottom plan view thereof;
FIG. 6 is a left elevation view thereof; and,
FIG. 7 is a right elevation view thereof.
The broken away symbols indicate that any portion of the adjustable P-clamp beyond what is shown forms no part of the claimed design.
The broken lines show portions of the adjustable P-clamp that form no part of the claimed design.

1 Claim, 2 Drawing Sheets



(56)

References Cited

U.S. PATENT DOCUMENTS

9,127,740 B2 * 9/2015 Shinoda F16F 7/12
D762,463 S * 8/2016 Espinosa, Jr. D8/382
D770,885 S * 11/2016 Miros D8/382
2013/0193289 A1 * 8/2013 Goffman B62J 11/00
248/231.51
2015/0304487 A1 * 10/2015 Chaput F16B 2/10
248/550
2016/0178090 A1 * 6/2016 Schilling F16L 3/237
248/68.1
2016/0318624 A1 * 11/2016 Skibba B64D 45/02

OTHER PUBLICATIONS

Rubber Lined P-Clip | P Clamps | Kainuo, website 2016, <http://clampcoupling.com/4-7-rubber-lined-p-clip/222379>, [site visited Nov. 30, 2016 7:22:01 PM].*

* cited by examiner

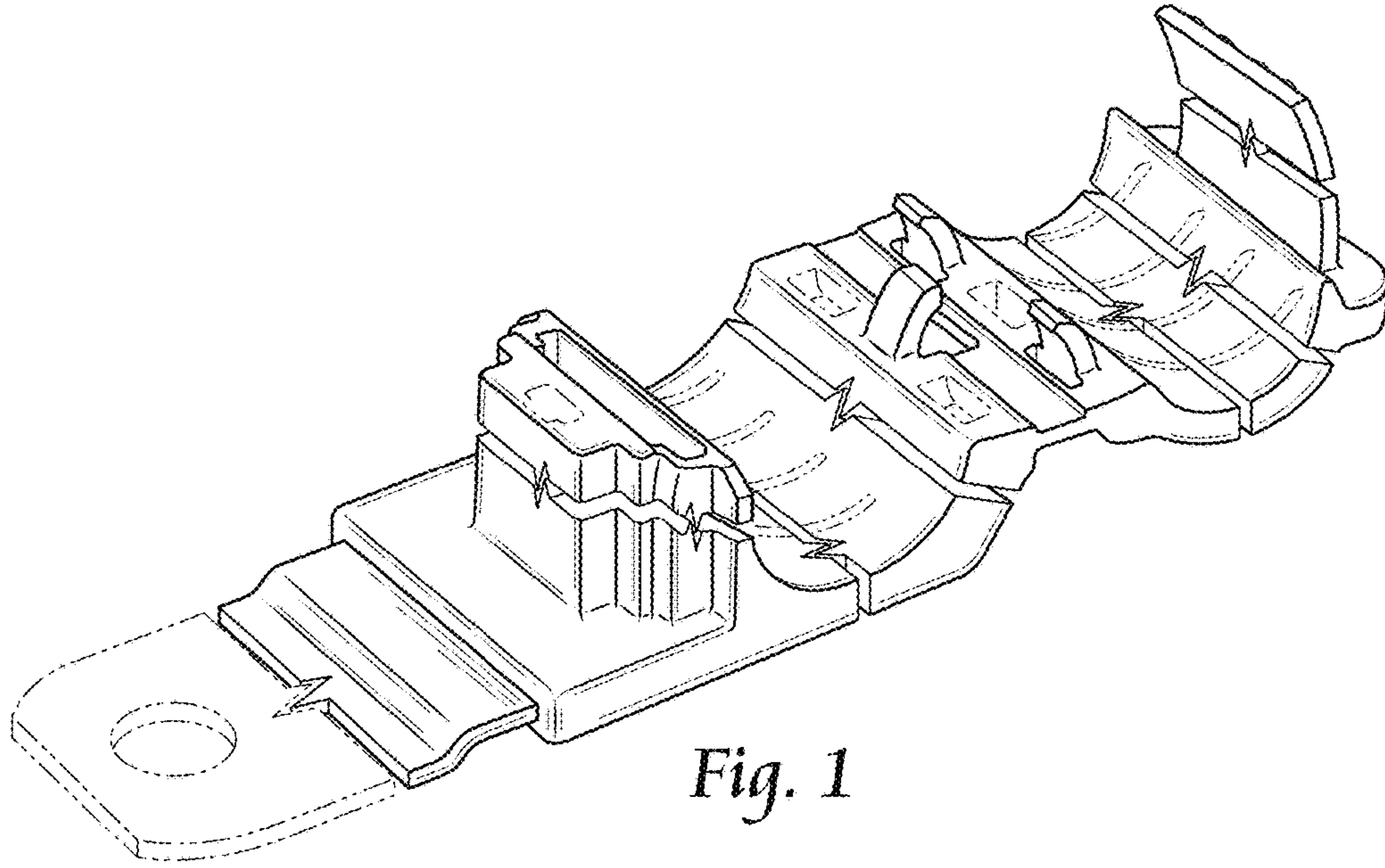


Fig. 1

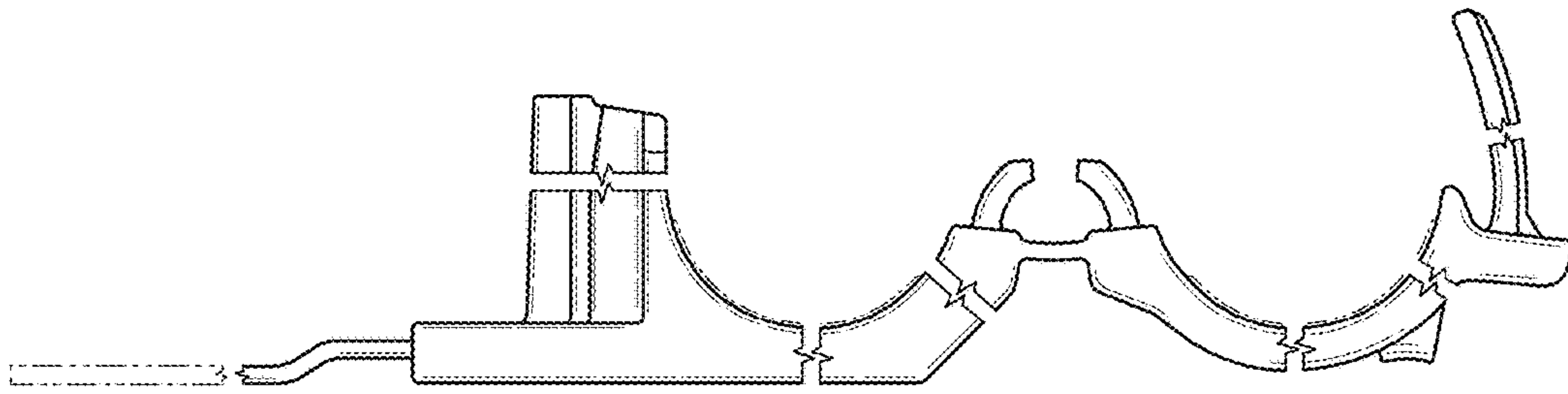


Fig. 2

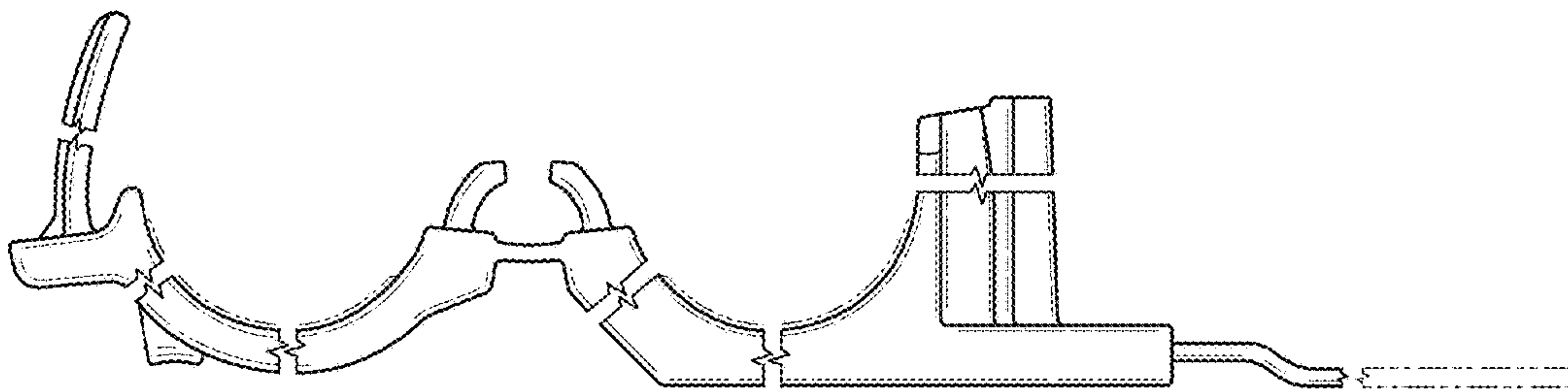


Fig. 3

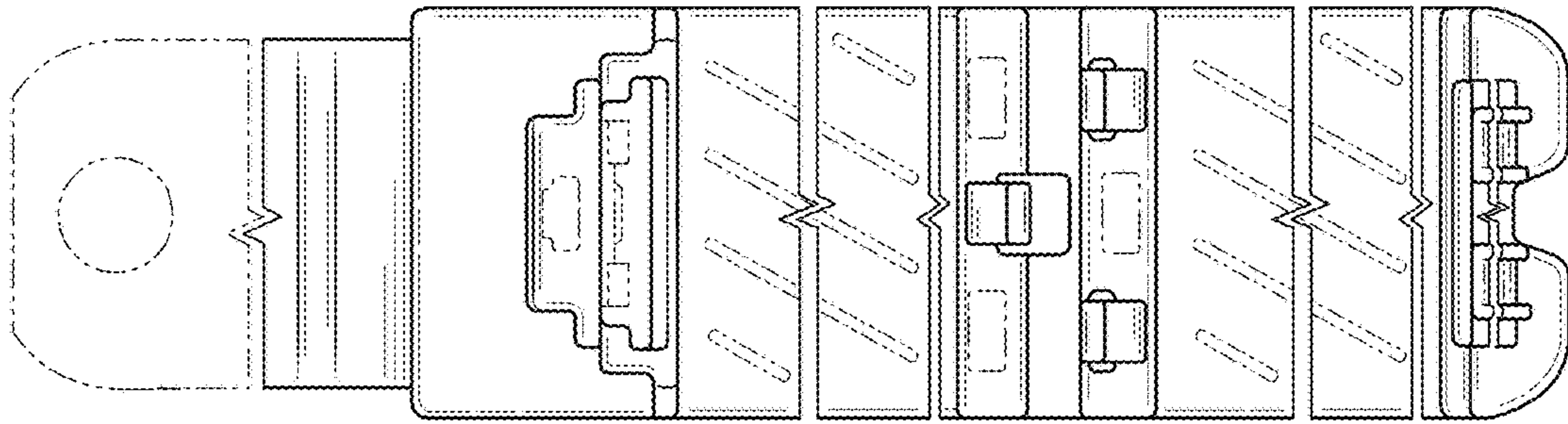


Fig. 4

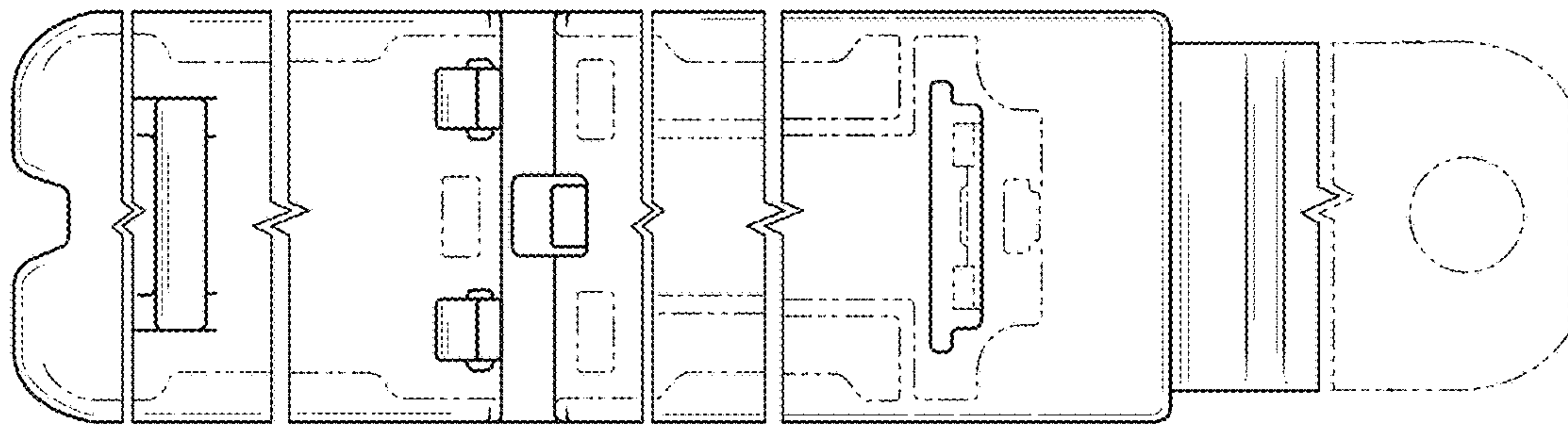


Fig. 5

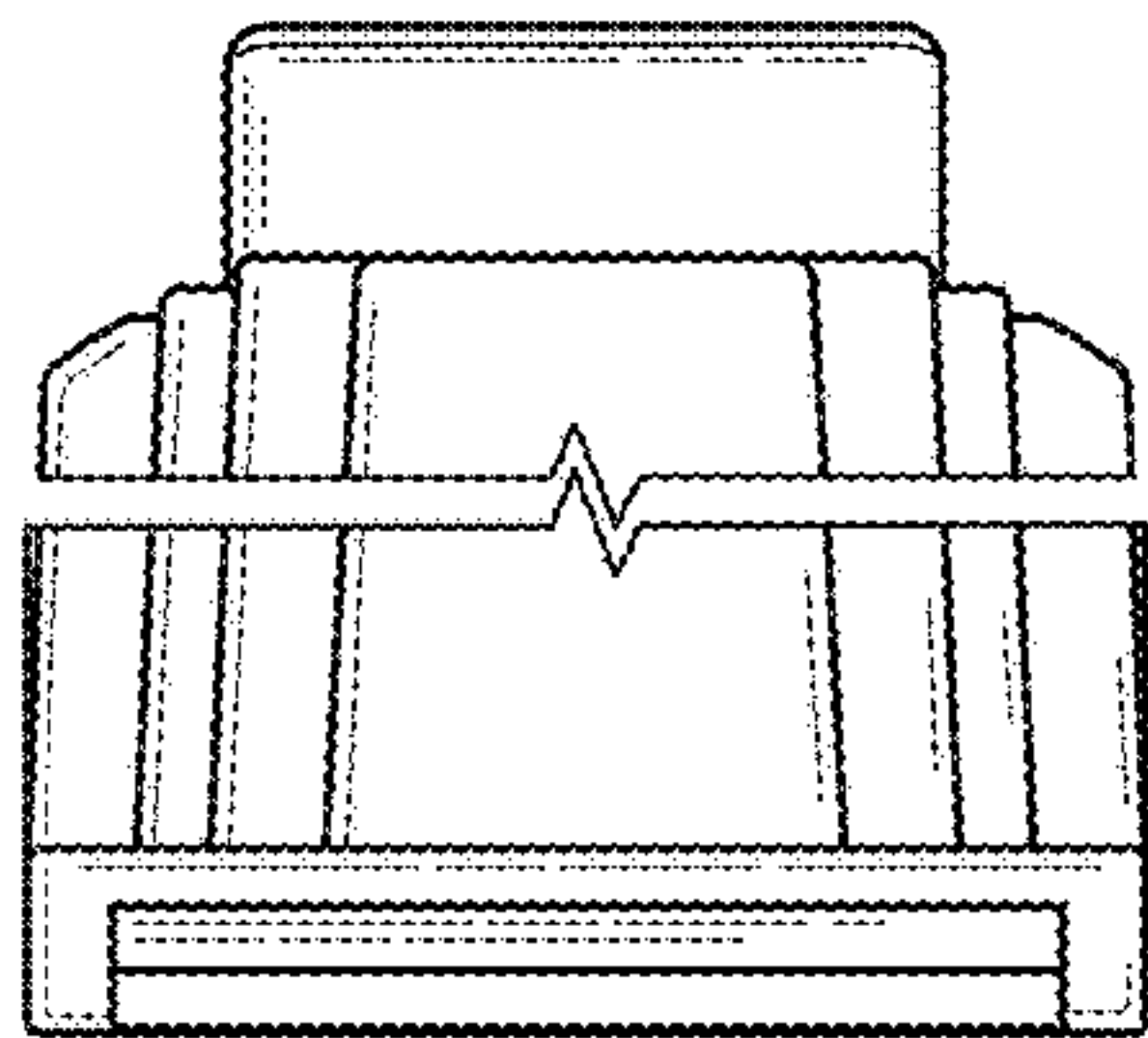


Fig. 6

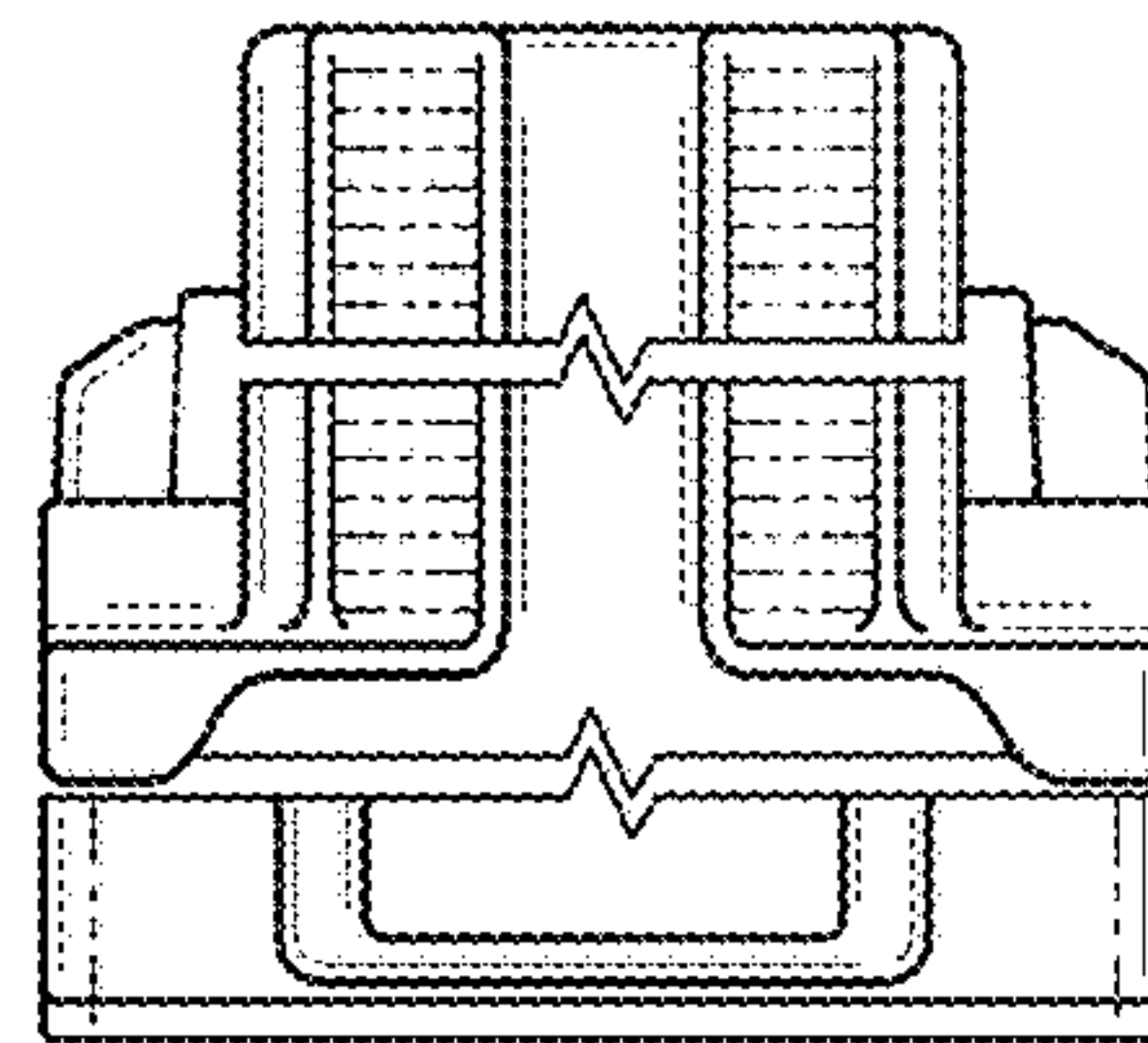


Fig. 7