



US00D784795S

(12) **United States Design Patent**
Ravaioli

(10) **Patent No.:** **US D784,795 S**
(45) **Date of Patent:** **** Apr. 25, 2017**

(54) **HOLDERS FOR RECLINER FURNITURE PARTS WITH BLADE ATTACHMENT**

(71) Applicant: **Elio Ravaioli**, Forli (IT)

(72) Inventor: **Elio Ravaioli**, Forli (IT)

(**) Term: **14 Years**

(21) Appl. No.: **29/511,740**

(22) Filed: **Dec. 12, 2014**

(51) **LOC (10) Cl.** **08-05**

(52) **U.S. Cl.**
USPC **D8/355**

(58) **Field of Classification Search**
USPC D8/323, 328, 354, 355; 16/250, 338, 227
CPC E05D 5/12; E05D 11/082; E05D 1/02; B64G
1/222

See application file for complete search history.

(56) **References Cited**

U.S. PATENT DOCUMENTS

D140,298 S	*	2/1945	Wilson	D8/323
D717,633 S	*	11/2014	Lu	D8/323
D717,634 S	*	11/2014	Lu	D8/323
D719,810 S	*	12/2014	Lu	D8/323

(Continued)

Primary Examiner — Lakiya Rogers

Assistant Examiner — Harold Blackwell, II

(74) *Attorney, Agent, or Firm* — Felix L. Fischer

(57) **CLAIM**

The ornamental design for holders for recliner furniture parts with blade attachment, as shown and described.

DESCRIPTION

FIG. 1 is a right side view of a first embodiment of a holders for recliner furniture parts with blade attachment in a retracted position;

FIG. 2 is a left side view of the first embodiment of a holders for recliner furniture parts with blade attachment in the retracted position;

FIG. 3 is a left isometric view of the first embodiment of a holders for recliner furniture parts with blade attachment in an extended position;

FIG. 4 is a right isometric view of the first embodiment of a holders for recliner furniture parts with blade attachment in an extended position;

FIG. 5 is a top view of the first embodiment of a holders for recliner furniture parts with blade attachment in the retracted position;

FIG. 6 is a top view of the first embodiment of a holders for recliner furniture parts with blade attachment in the extended position;

FIG. 7 is a right isometric view of the first embodiment of a holders for recliner furniture parts with blade attachment in the retracted position;

FIG. 8 is a right side view of a second embodiment of a holders for recliner furniture parts with blade attachment in a retracted position;

FIG. 9 is a left side view of the second embodiment of a holders for recliner furniture parts with blade attachment in the retracted position;

FIG. 10 is a left isometric view of the second embodiment of a holders for recliner furniture parts with blade attachment in an extended position;

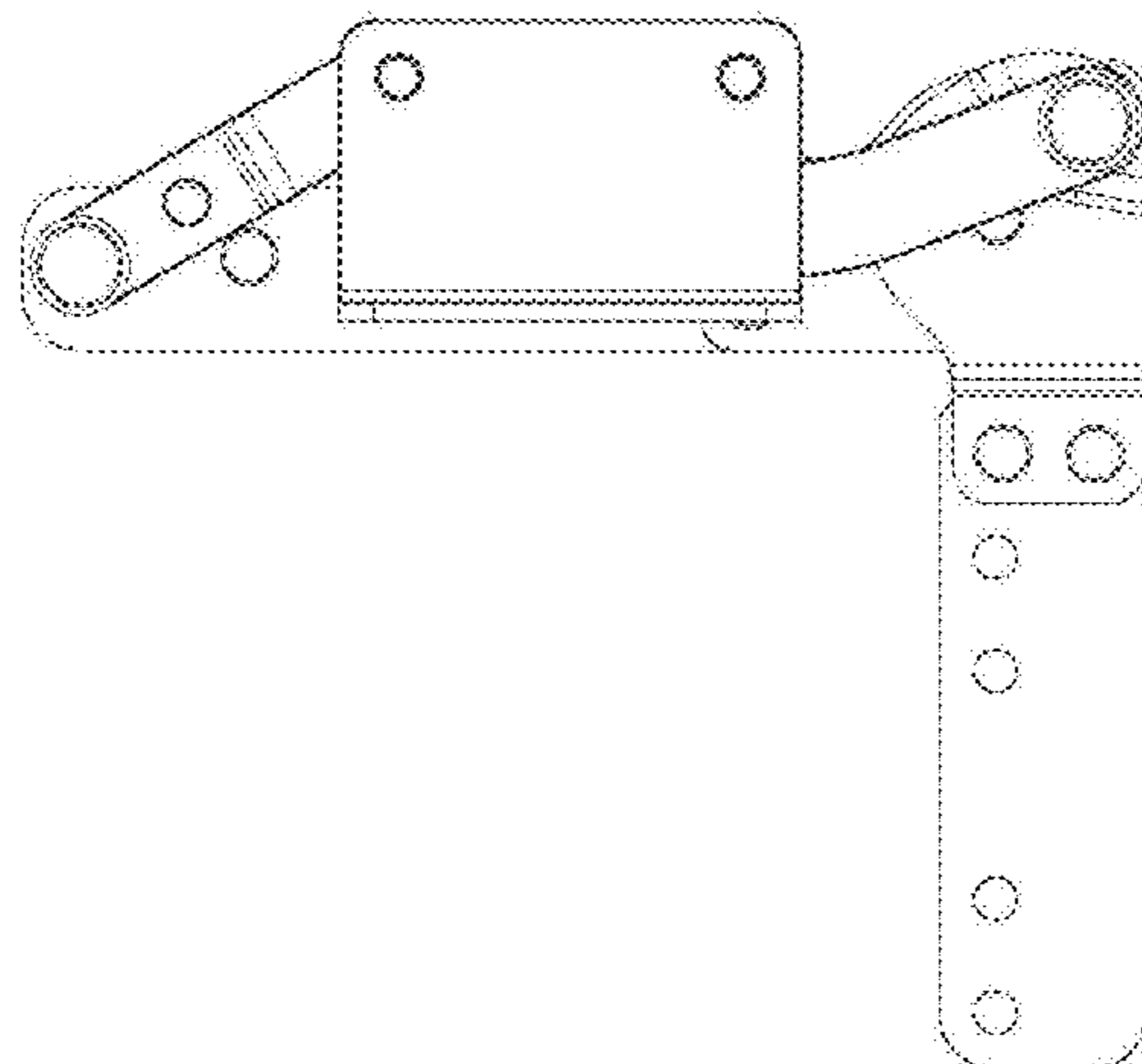
FIG. 11 is a right isometric view of the second embodiment of a holders for recliner furniture parts with blade attachment in an extended position;

FIG. 12 is a top view of the second embodiment of a holder for holders for recliner furniture parts with blade attachment in the retracted position;

FIG. 13 is a top view of the second embodiment of a holders for recliner furniture parts with blade attachment in the extended position; and,

FIG. 14 is a right isometric view of the second embodiment of a holders for recliner furniture parts with blade attachment in the retracted position.

1 Claim, 14 Drawing Sheets



(56)

References Cited

U.S. PATENT DOCUMENTS

D744,313 S * 12/2015 Lu D8/323
D758,164 S * 6/2016 Lu D8/323

* cited by examiner

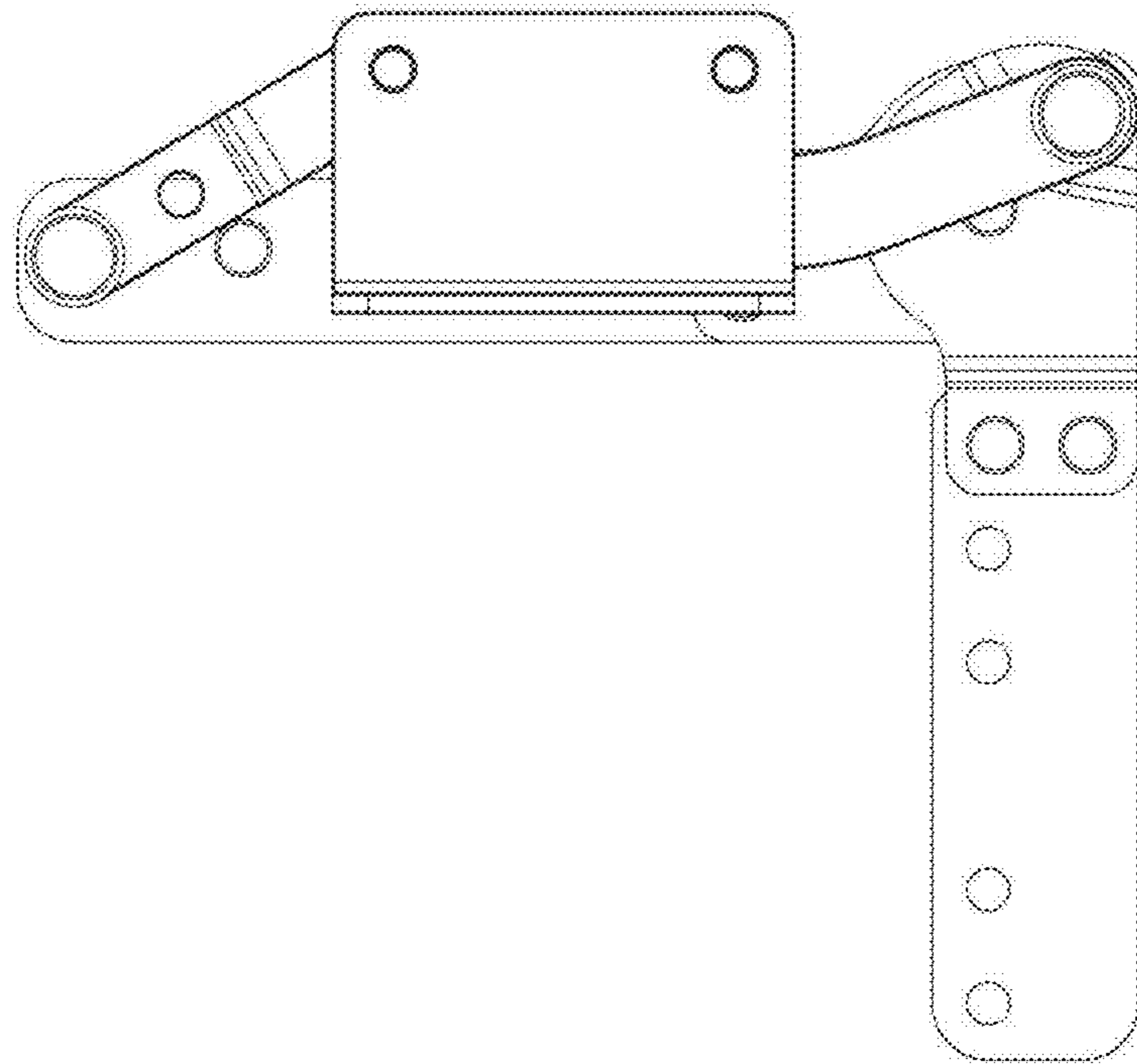


FIG. 1

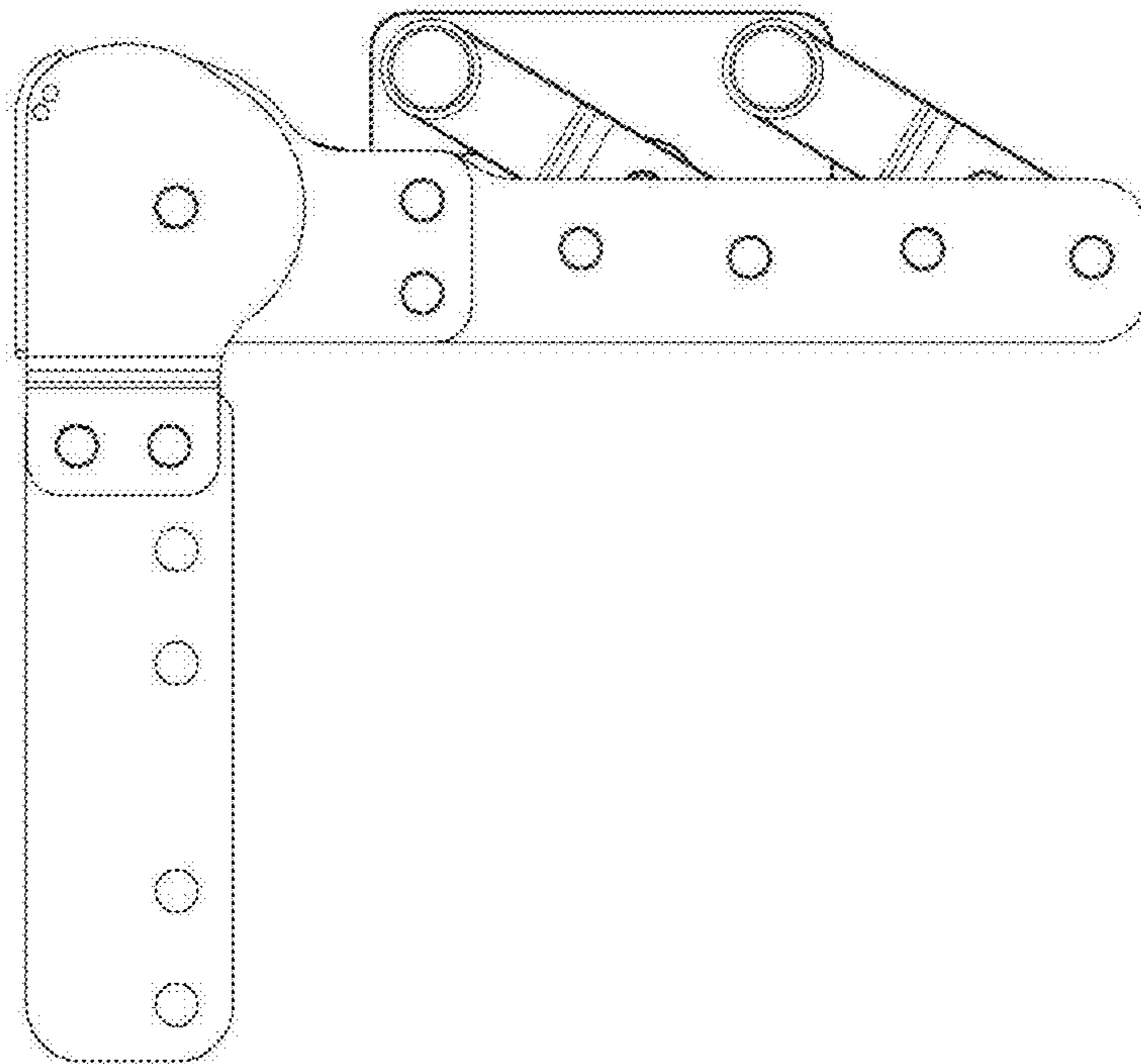


FIG. 2

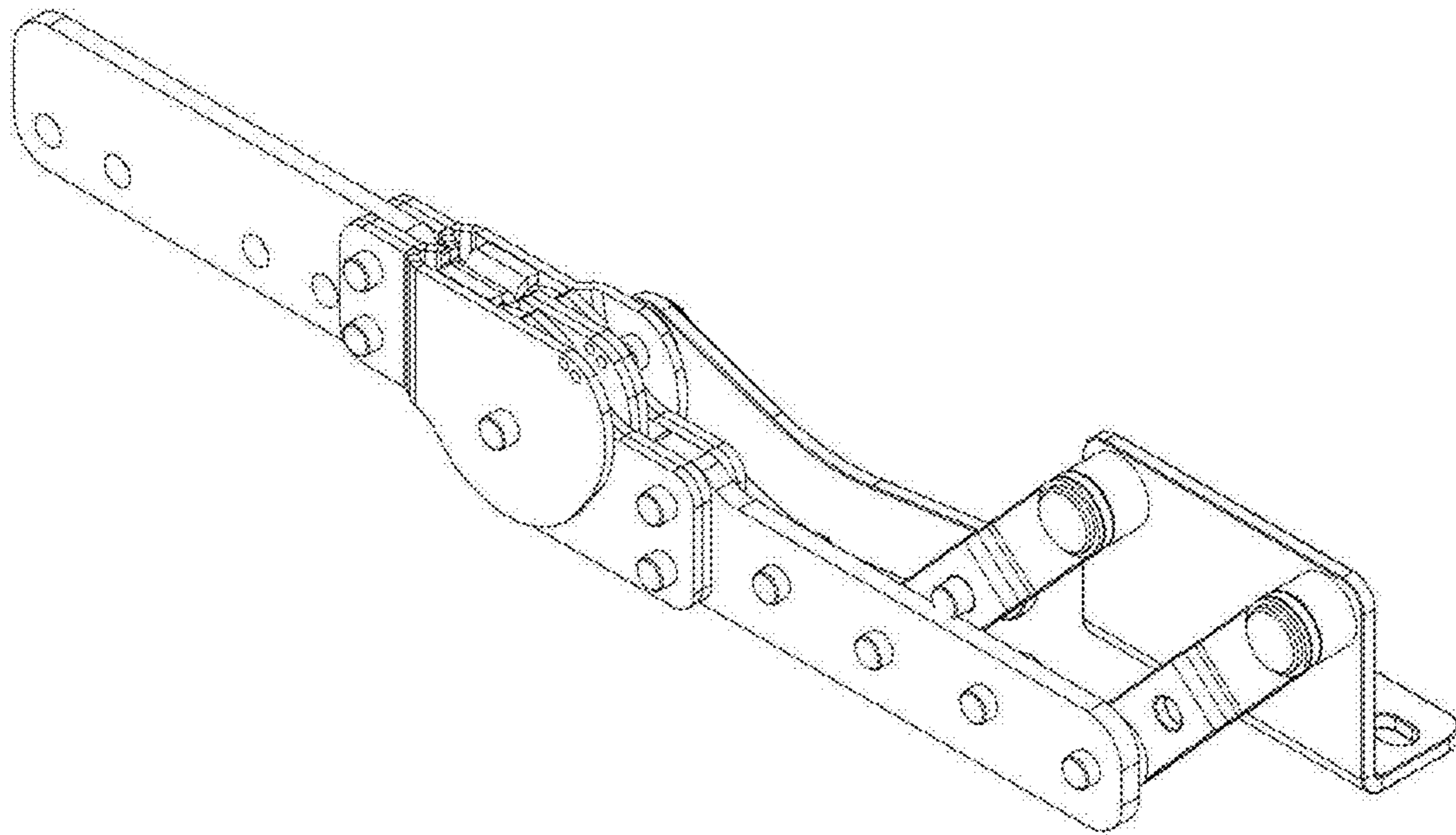


FIG. 3

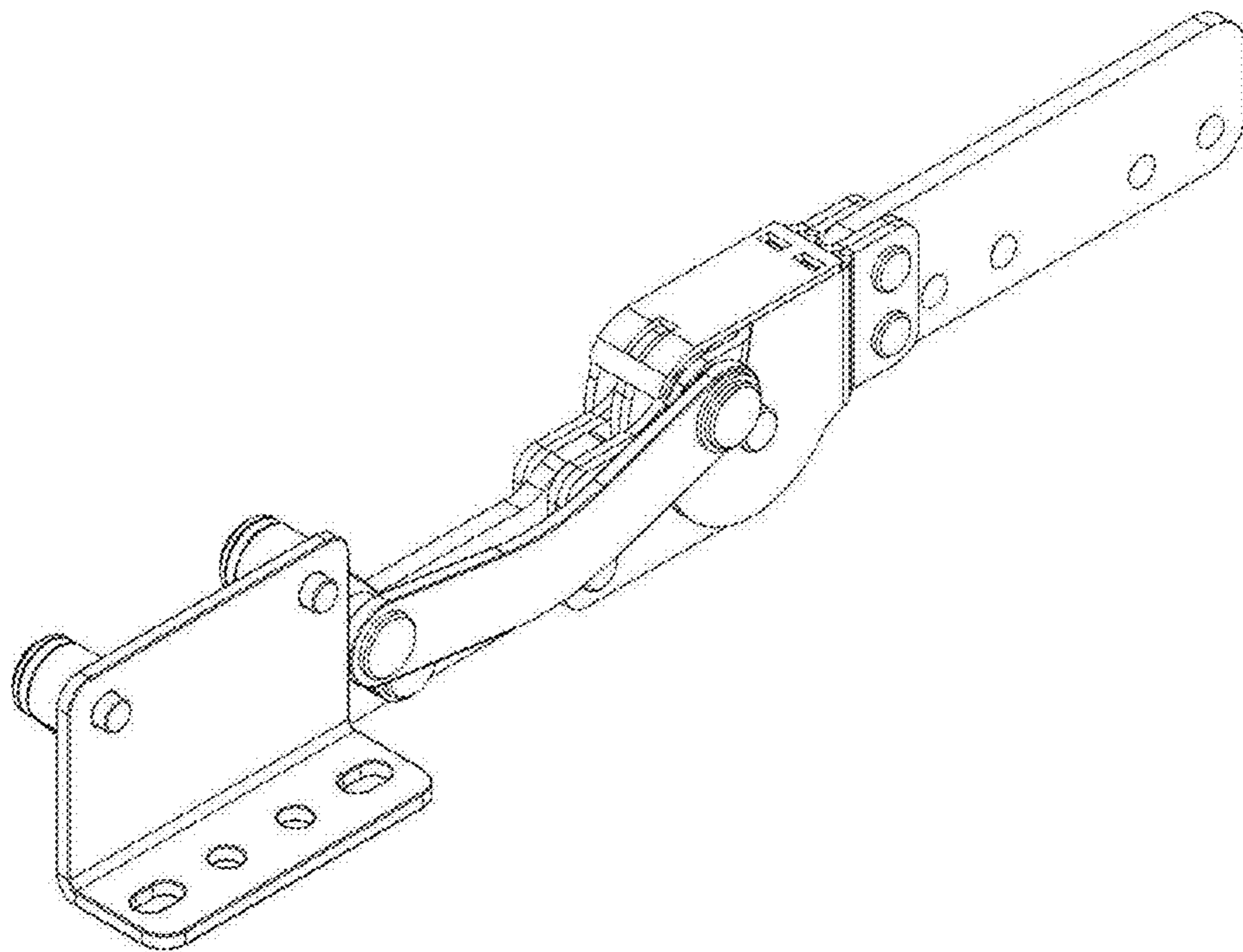


FIG. 4

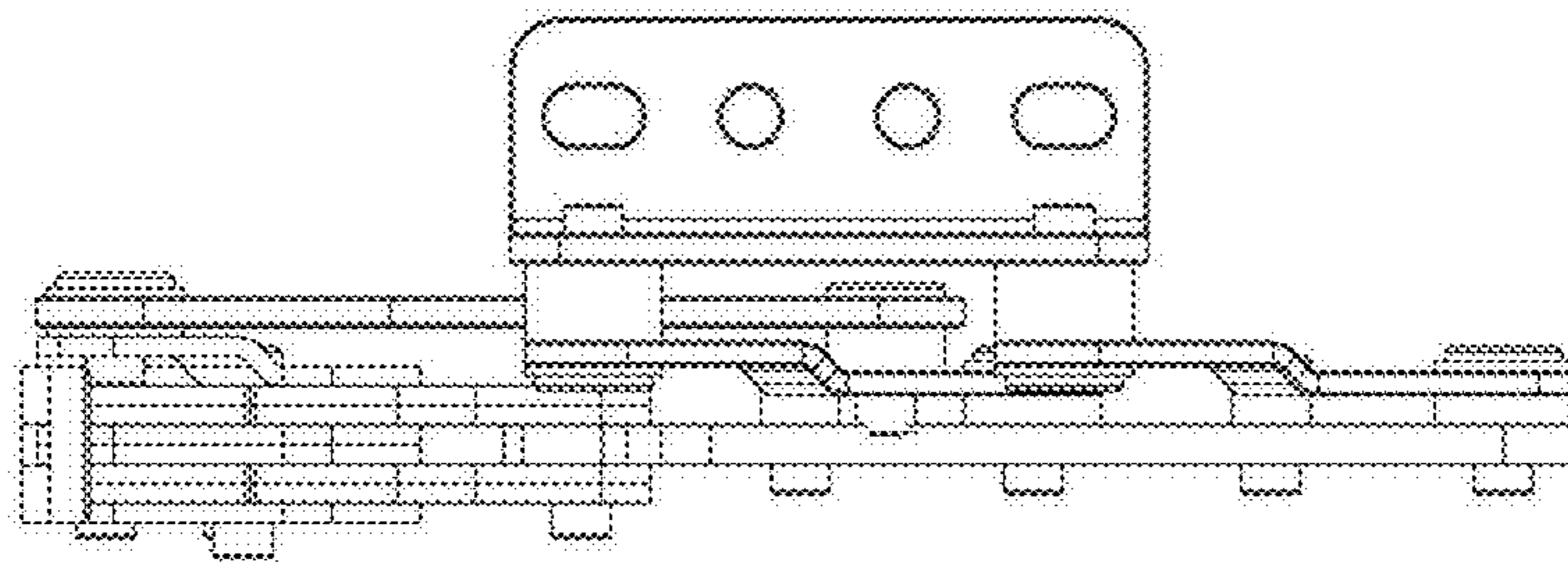


FIG. 5

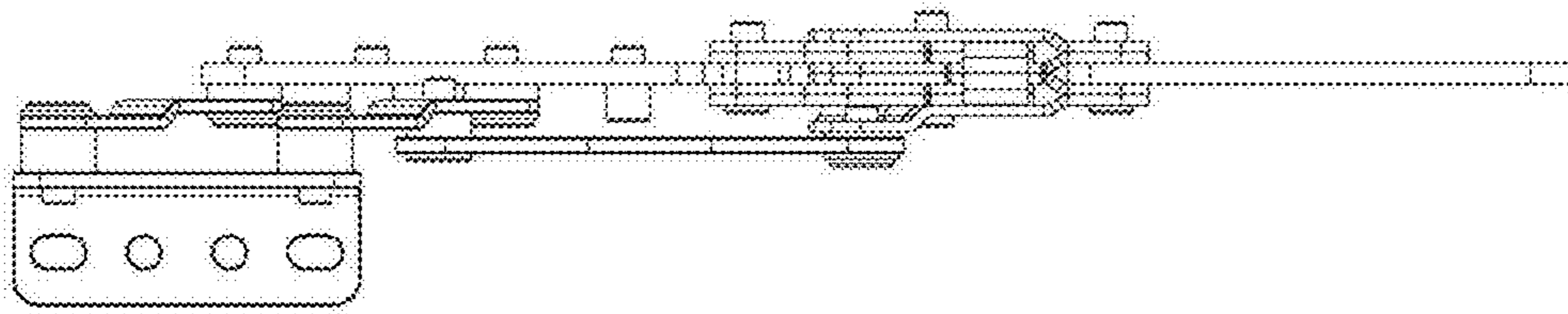


FIG. 6

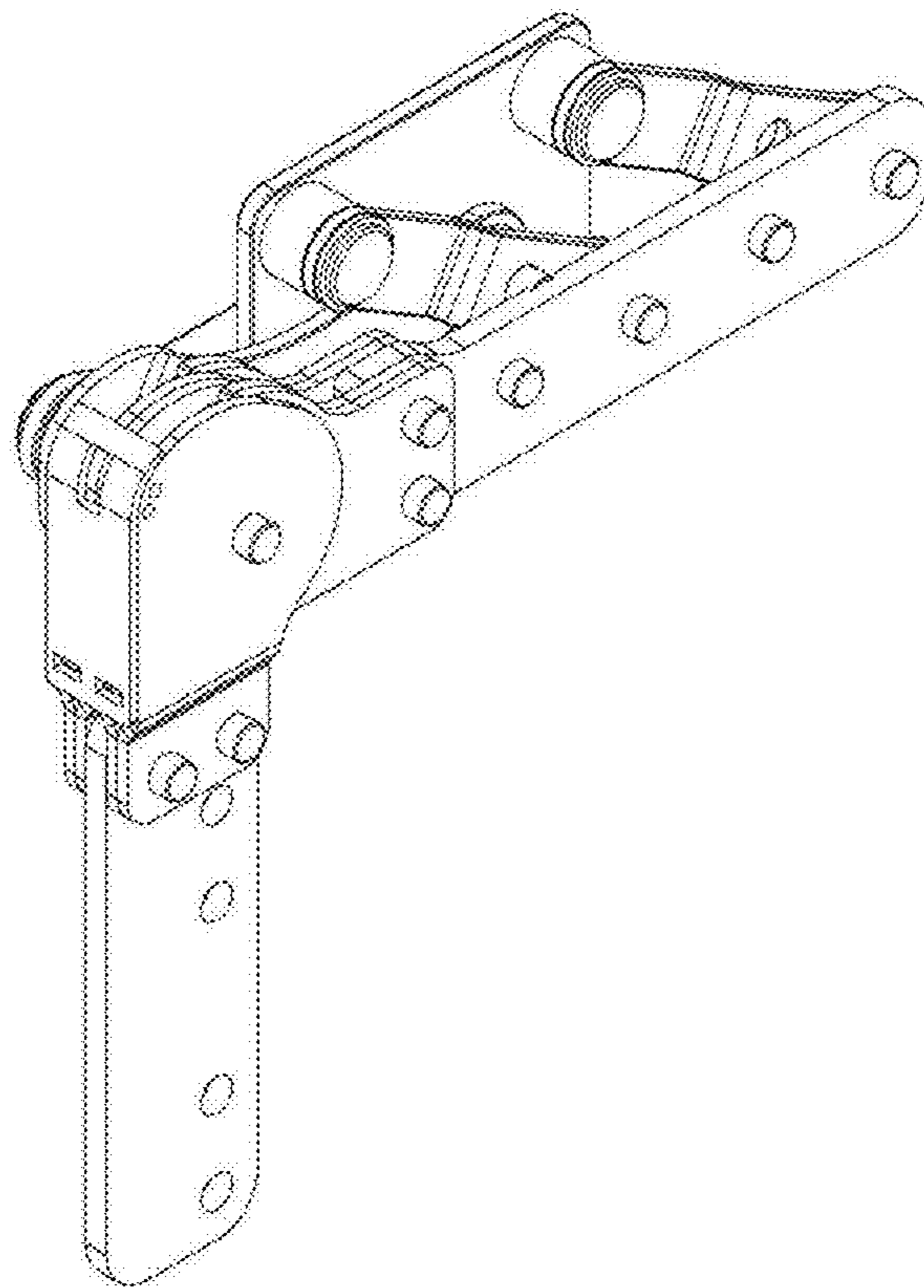


FIG. 7

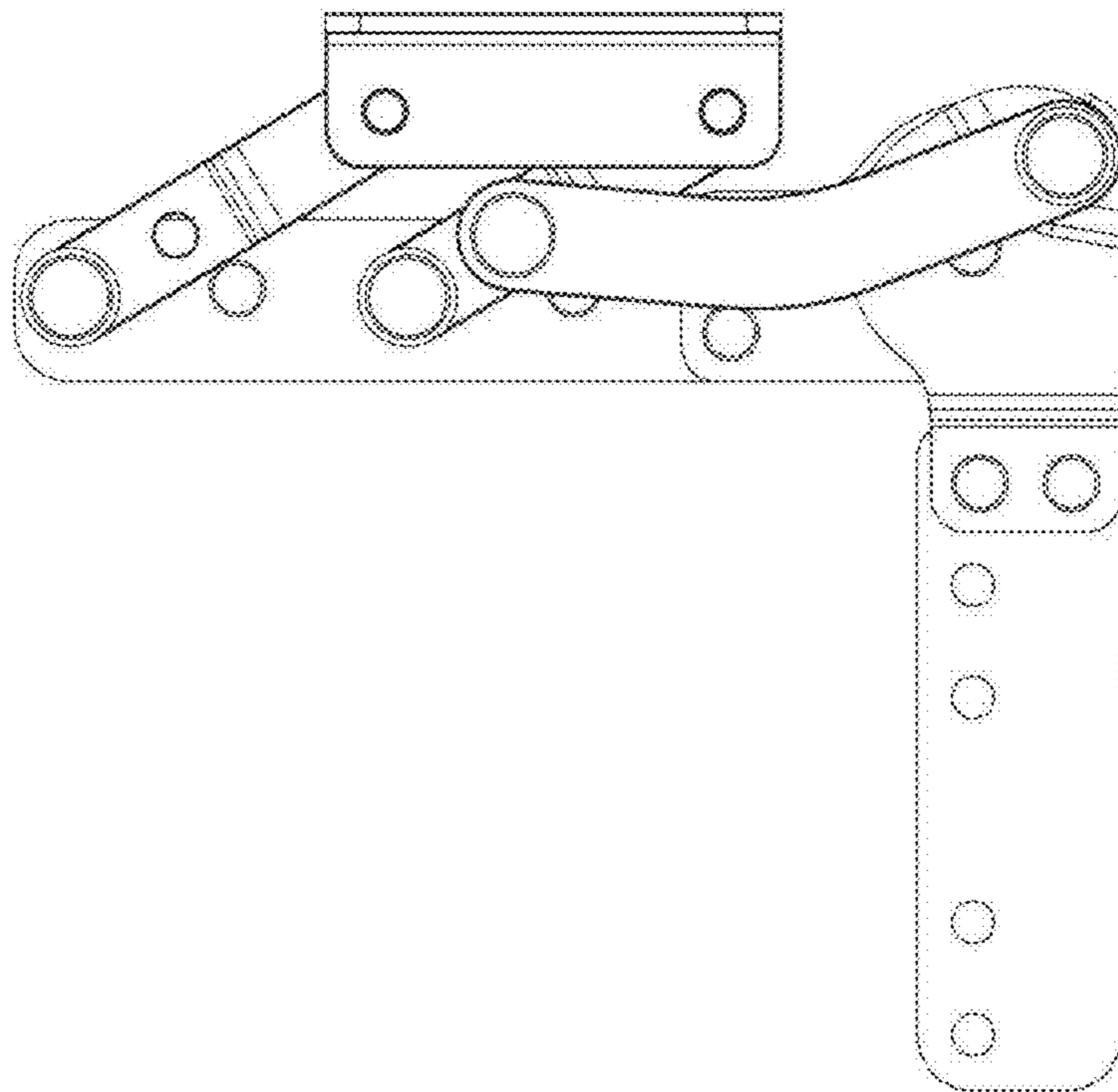


FIG.8

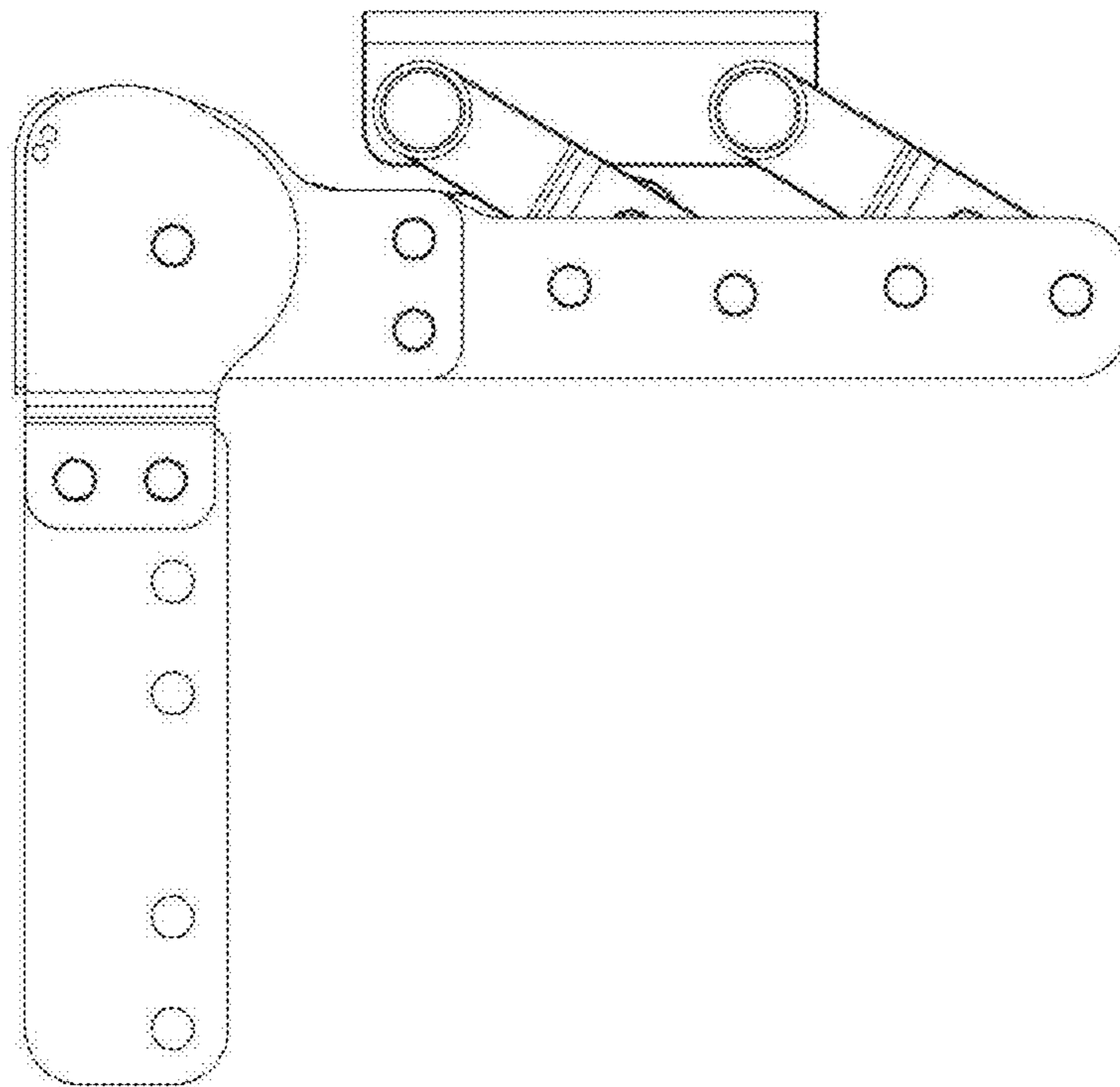


FIG. 9

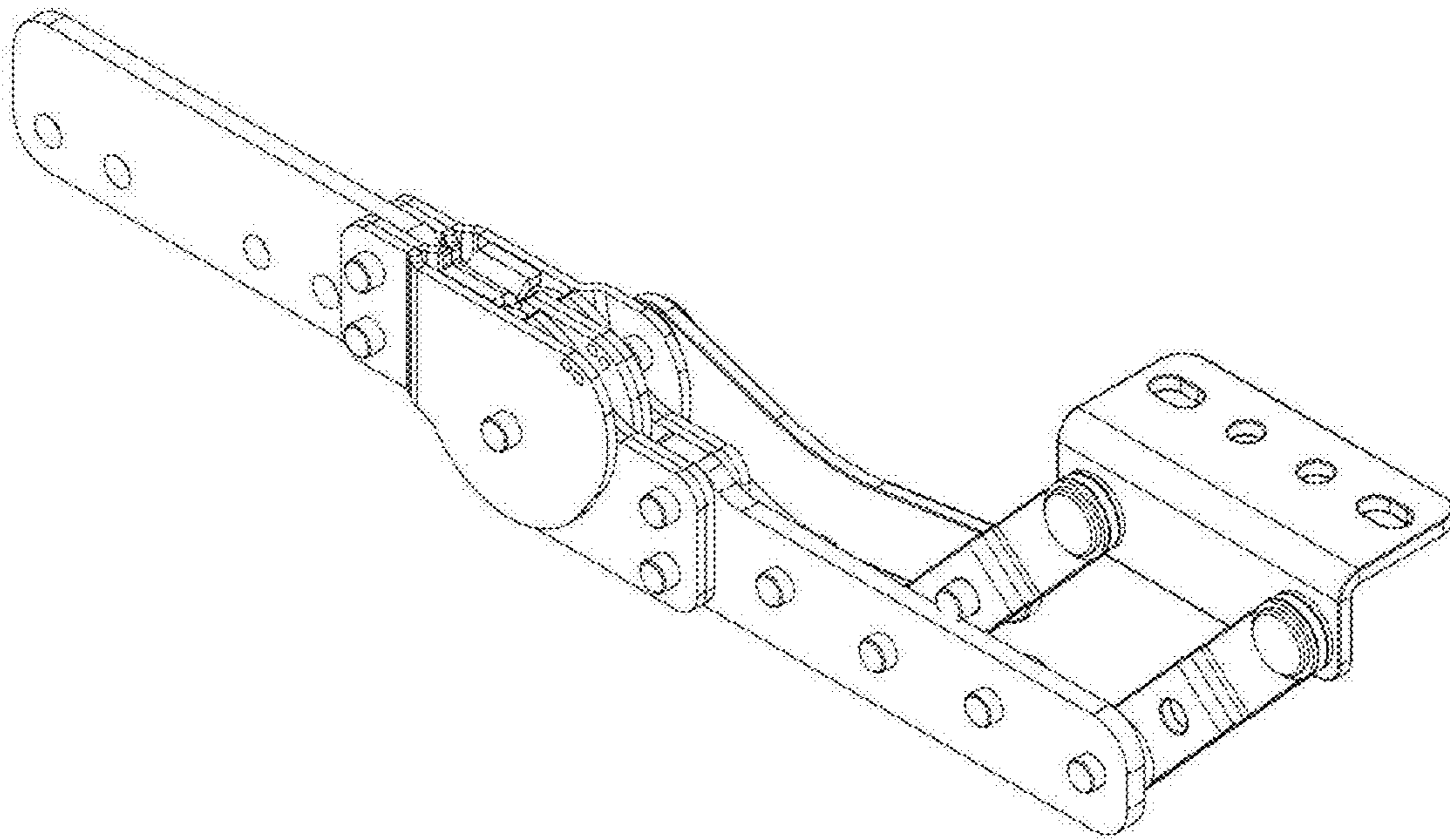


FIG. 10

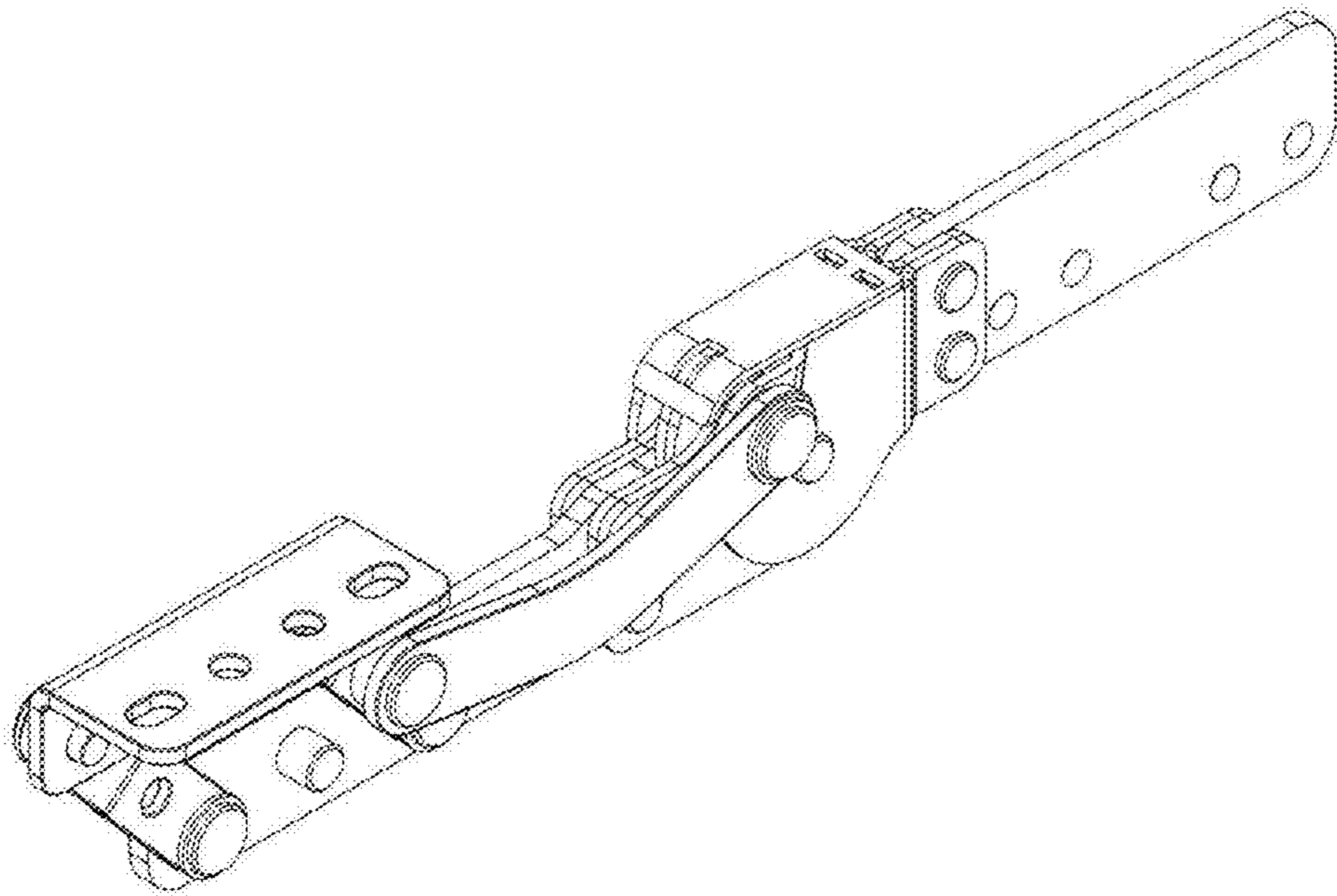


FIG. 11

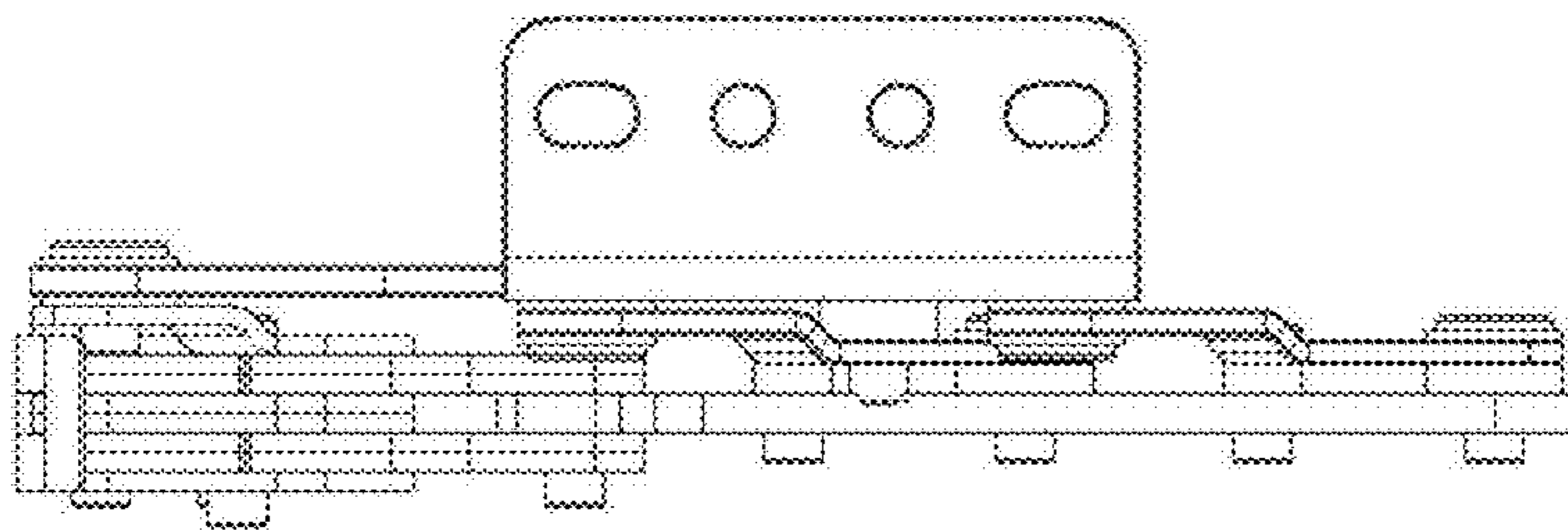


FIG. 12

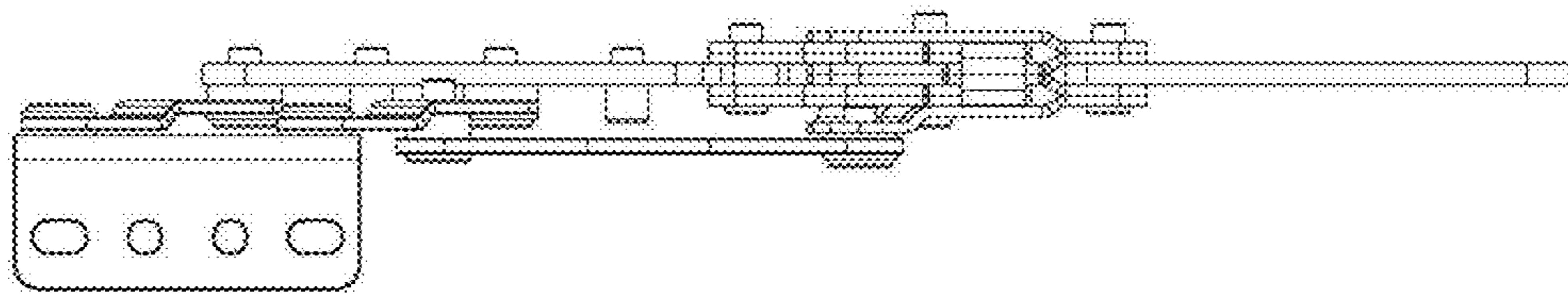


FIG. 13

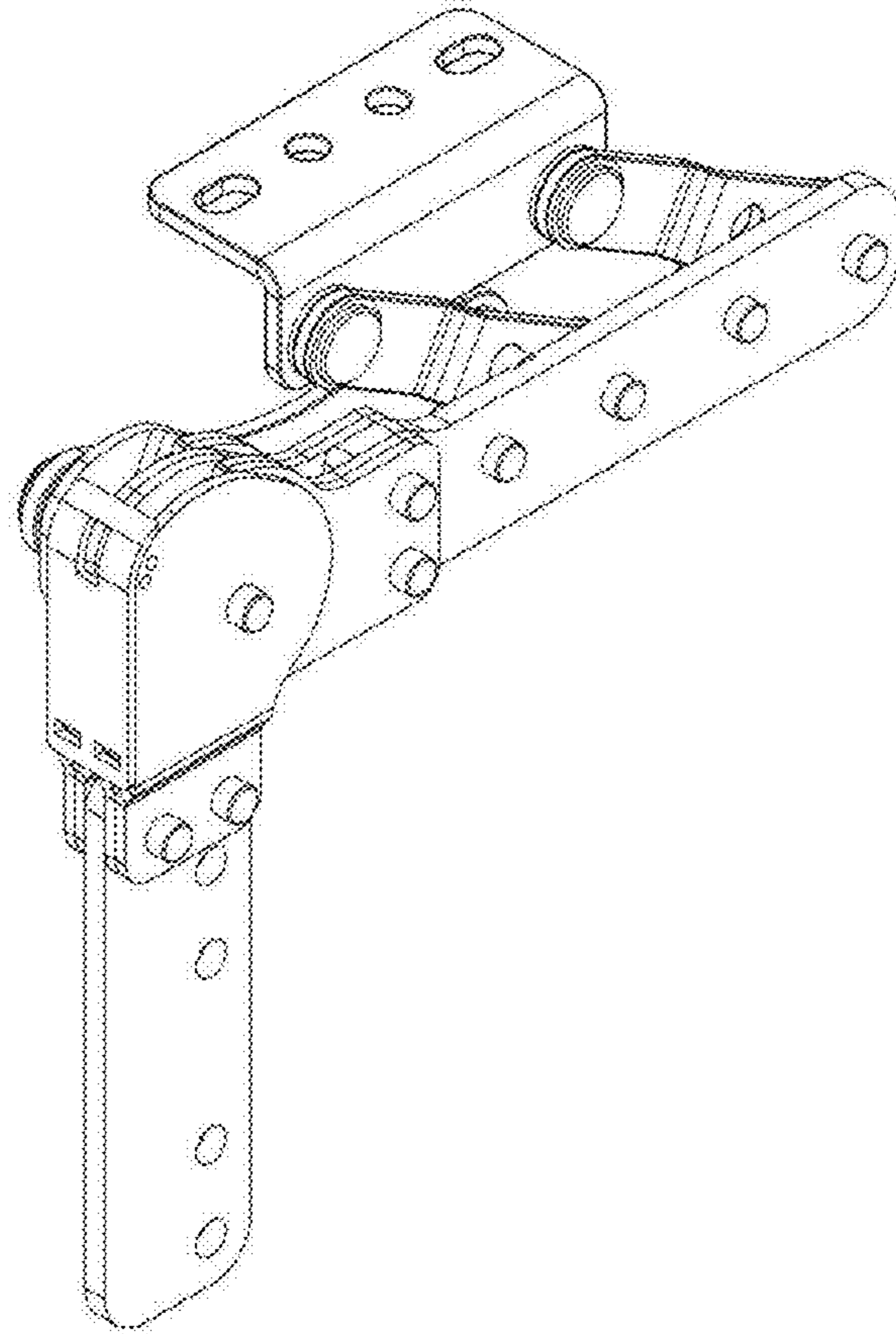


FIG. 14