



US00D784794S

(12) **United States Design Patent**
Bently

(10) **Patent No.:** **US D784,794 S**

(45) **Date of Patent:** **** Apr. 25, 2017**

(54) **VENT DUCT BRACKET**

(71) Applicant: **John F. Bently**, New Richland, MN
(US)

(72) Inventor: **John F. Bently**, New Richland, MN
(US)

(**) Term: **15 Years**

(21) Appl. No.: **29/620,115**

(22) Filed: **Jul. 8, 2016**

Related U.S. Application Data

(63) Continuation of application No. 14/545,011, filed on
Mar. 16, 2015, now abandoned.

(51) **LOC (10) Cl.** **08-05**

(52) **U.S. Cl.**
USPC **D8/354; D8/356**

(58) **Field of Classification Search**
USPC D24/128, 127, 108, 107; 604/180;
D8/356, 354, 349; D13/155; 248/74.3
CPC .. A61M 29/00; A61M 25/02; A61M 25/0133;
A61M 2025/024; A61M 2025/0266;
A61M 5/00; A61M 2039/087; F16G 1/00;
F16G 11/00; H02G 3/00; H02G 3/03;
H02G 3/04; H02G 3/0437; H02G 3/0608;
F16L 3/1058

See application file for complete search history.

(56) **References Cited**

U.S. PATENT DOCUMENTS

2,687,864 A 8/1954 Kohler F16L 3/10
24/265 WS
3,034,185 A * 5/1962 Olsen E04B 1/2612
248/65
3,304,108 A * 2/1967 Hamilton F16L 41/025
403/295

4,982,547 A * 1/1991 Stolle E06B 3/9682
403/295
D432,394 S * 10/2000 Hays D8/354
D434,639 S * 12/2000 Willett D8/354
6,254,306 B1 * 7/2001 Williams E04B 1/2403
403/403
6,609,684 B2 * 8/2003 Van Scoy F16G 13/16
248/49

(Continued)

Primary Examiner — Cynthia Underwood

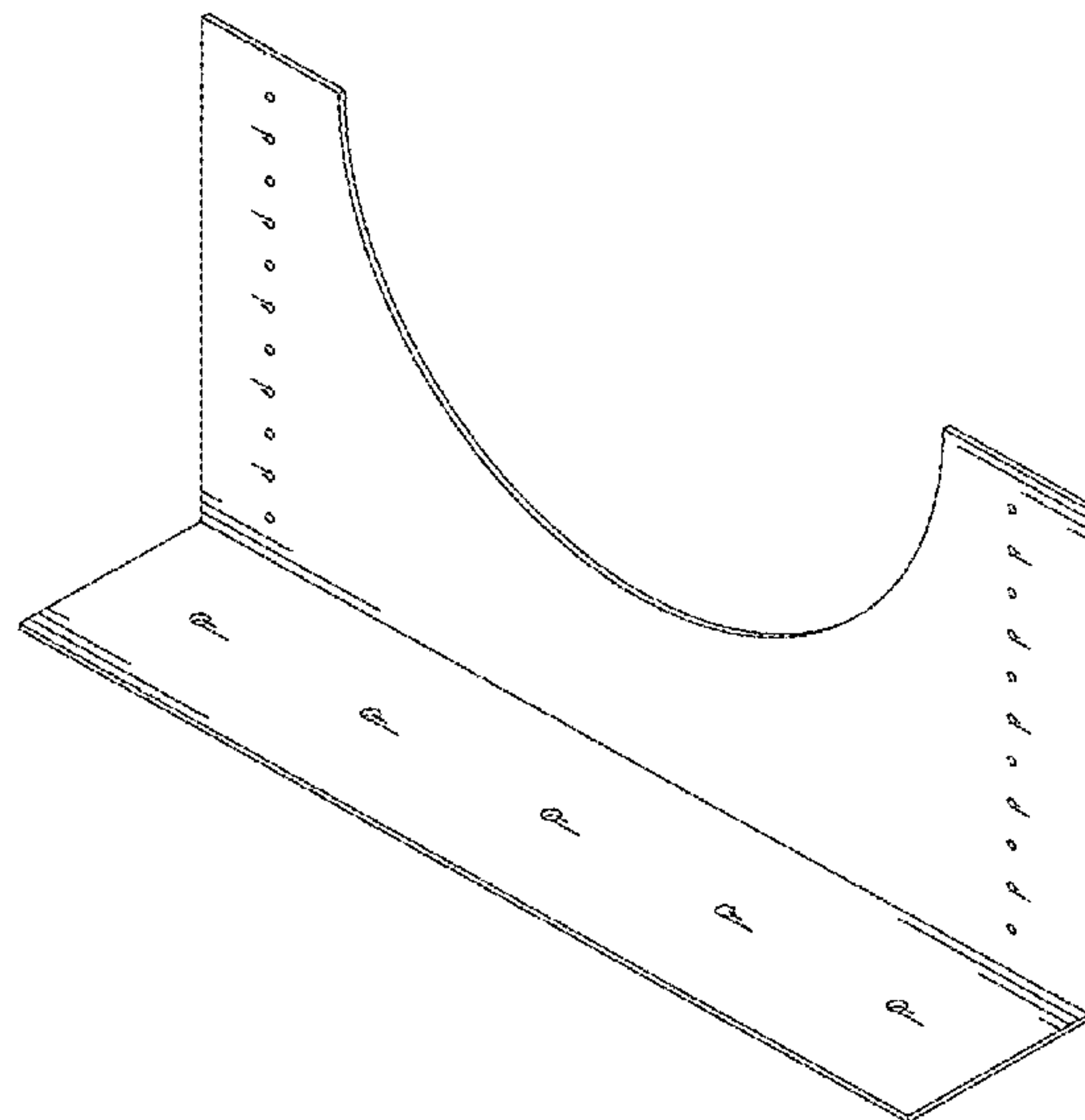
(57) **CLAIM**

The ornamental design for a vent duct bracket, as shown and described.

DESCRIPTION

FIG. 1 is back perspective view of my vent duct bracket comprising the new design, with the circles indicating holes extending through the bracket portions thereof; FIG. 2 is a top view of the vent duct bracket in FIG. 1; FIG. 3 is a front view of the vent duct bracket in FIG. 1; FIG. 4 is a right side view of the vent duct bracket in FIG. 1; FIG. 5 is a left side view of the vent duct bracket in FIG. 1; FIG. 6 is a bottom view of the vent duct bracket in FIG. 1; FIG. 7 is a back view of the vent duct bracket in FIG. 1; FIG. 8 is a back perspective view of an alternative embodiment of the vent duct bracket in FIG. 1, where the broken line showing of certain holes illustrates those holes form no part of the claimed design in this embodiment; FIG. 9 is a front view of the vent duct bracket in FIG. 8, where the broken line showing of certain holes illustrates those holes form no part of the claimed design; and, FIG. 10 is a bottom view of the vent duct bracket in FIG. 8, where the broken line showing of certain holes illustrates those holes form no part of the claimed design. For all the Figures, the surface shading is for illustration purposes only and forms no part of the claimed design.

1 Claim, 4 Drawing Sheets



(56)

References Cited

U.S. PATENT DOCUMENTS

6,874,969 B2 * 4/2005 Jadaud H02G 3/0608
174/480
6,951,324 B2 10/2005 Karamanos F24D 19/02
248/300
7,150,437 B1 12/2006 Teeters F16L 3/04
248/70
7,234,889 B2 * 6/2007 Gautier H02G 3/0608
174/481
7,332,675 B2 * 2/2008 Galasso H02G 3/0608
138/162
7,455,278 B2 11/2008 Hsu A47J 37/041
248/300
8,006,948 B2 * 8/2011 Wents H02G 3/0608
174/480
D644,503 S * 9/2011 Crane D8/354
8,082,701 B1 12/2011 Wendel E04C 3/145
52/100
D667,288 S * 9/2012 Preda D8/354
D667,289 S * 9/2012 Preda D8/354
D704,667 S * 5/2014 Sharpe D13/155
8,959,846 B2 2/2015 Polzin E04H 7/22
52/506.05
9,010,063 B2 4/2015 Spruiell E04G 21/185
52/699

D730,545 S * 5/2015 Stauffer D25/133
D732,708 S * 6/2015 Stauffer D25/133
D747,180 S * 1/2016 Burcar D8/367
D758,171 S * 6/2016 Kim D8/356
D760,578 S * 7/2016 Sigona D8/349
D765,491 S * 9/2016 Jaycock E02D 27/02
D8/354
2001/0032909 A1 10/2001 Goettle B62K 11/04
248/58
2005/0284988 A1 12/2005 Lawver, Jr. F16L 3/24
248/65
2009/0173844 A1 7/2009 Huo H02G 3/32
248/65
2010/0126103 A1 * 5/2010 diGirolamo E04B 2/58
52/655.1
2014/0061398 A1 3/2014 Kitamura H02G 3/32
248/74.1
2014/0346302 A1 11/2014 Vignali B64D 13/02
248/309.1
2015/0102180 A1 4/2015 Boland F16L 3/1091
248/67.5
2015/0144747 A1 5/2015 Castellanos F16L 3/1091
248/74.1
2015/0204461 A1 7/2015 Ben Jacov F16L 3/1033
138/106

* cited by examiner

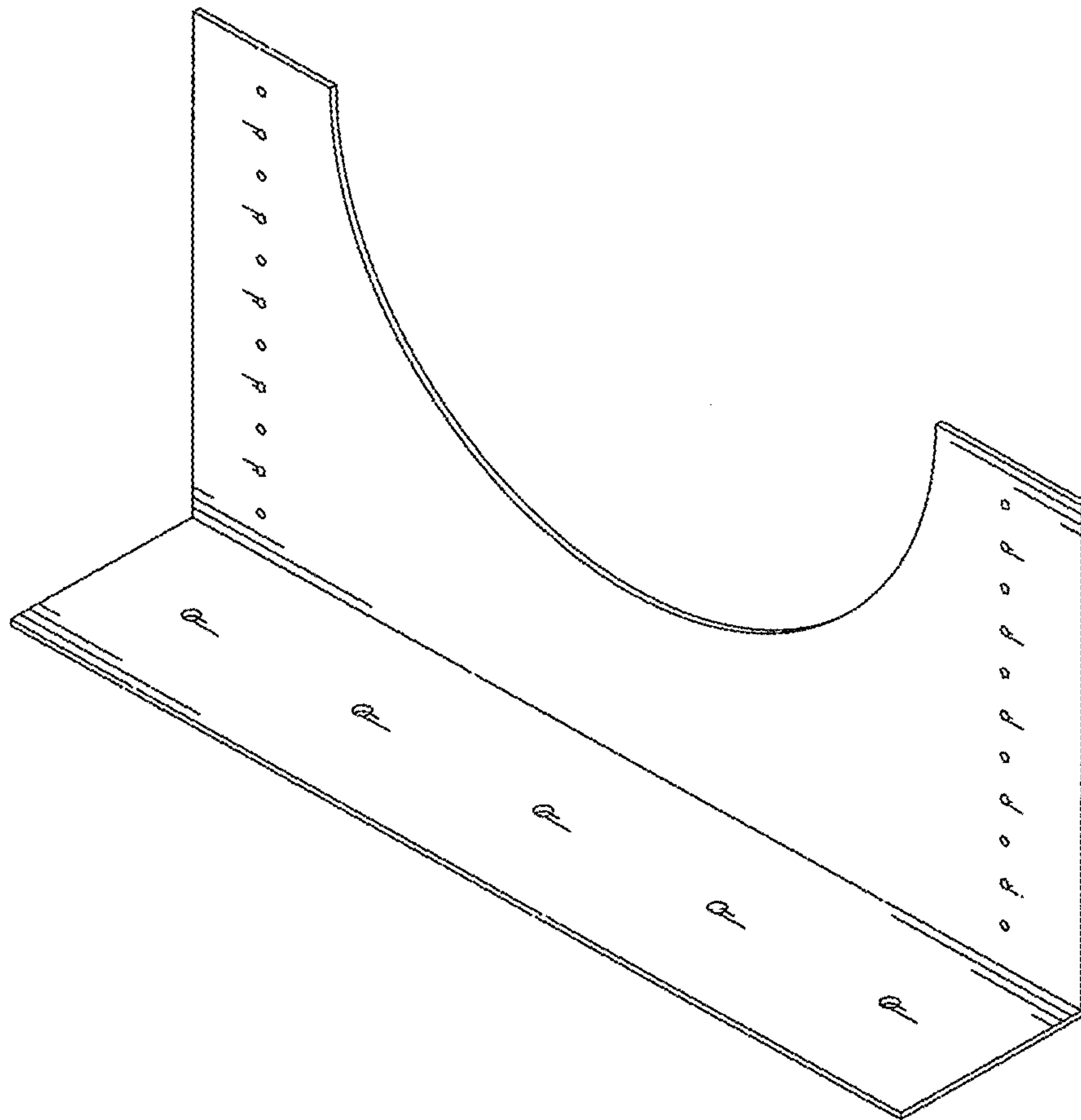
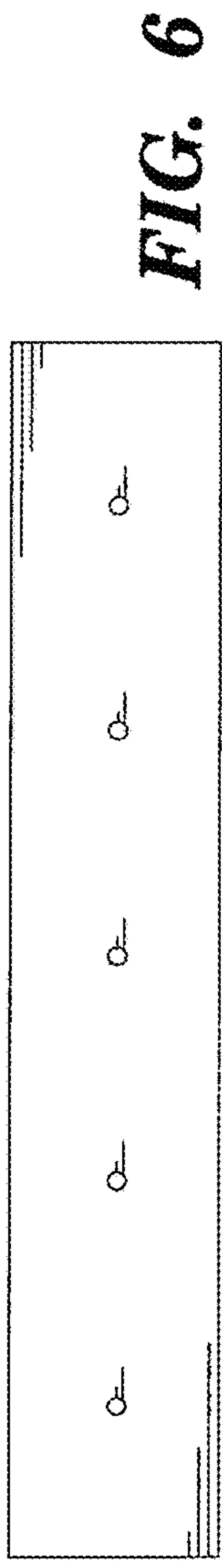
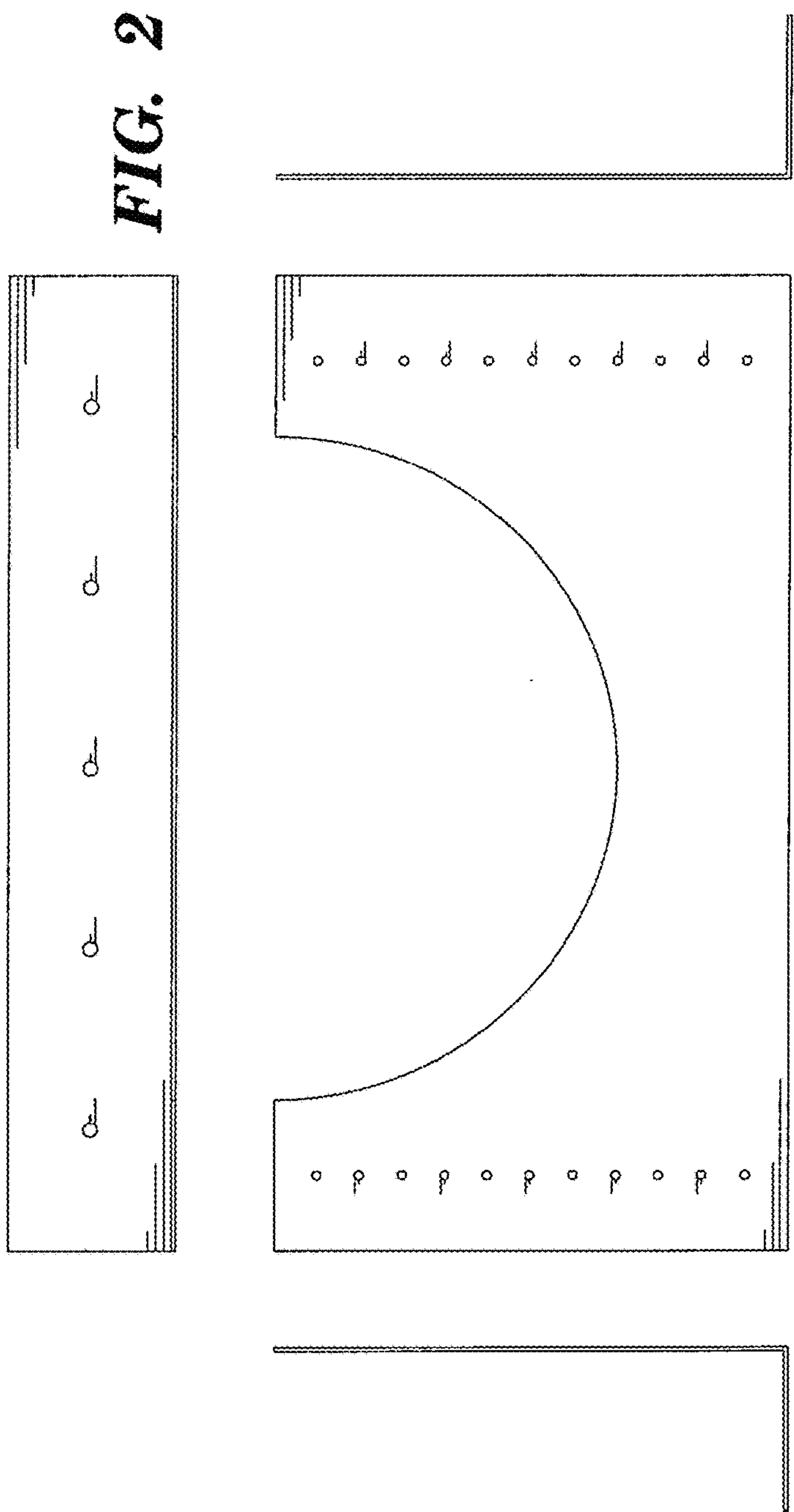


FIG. 1



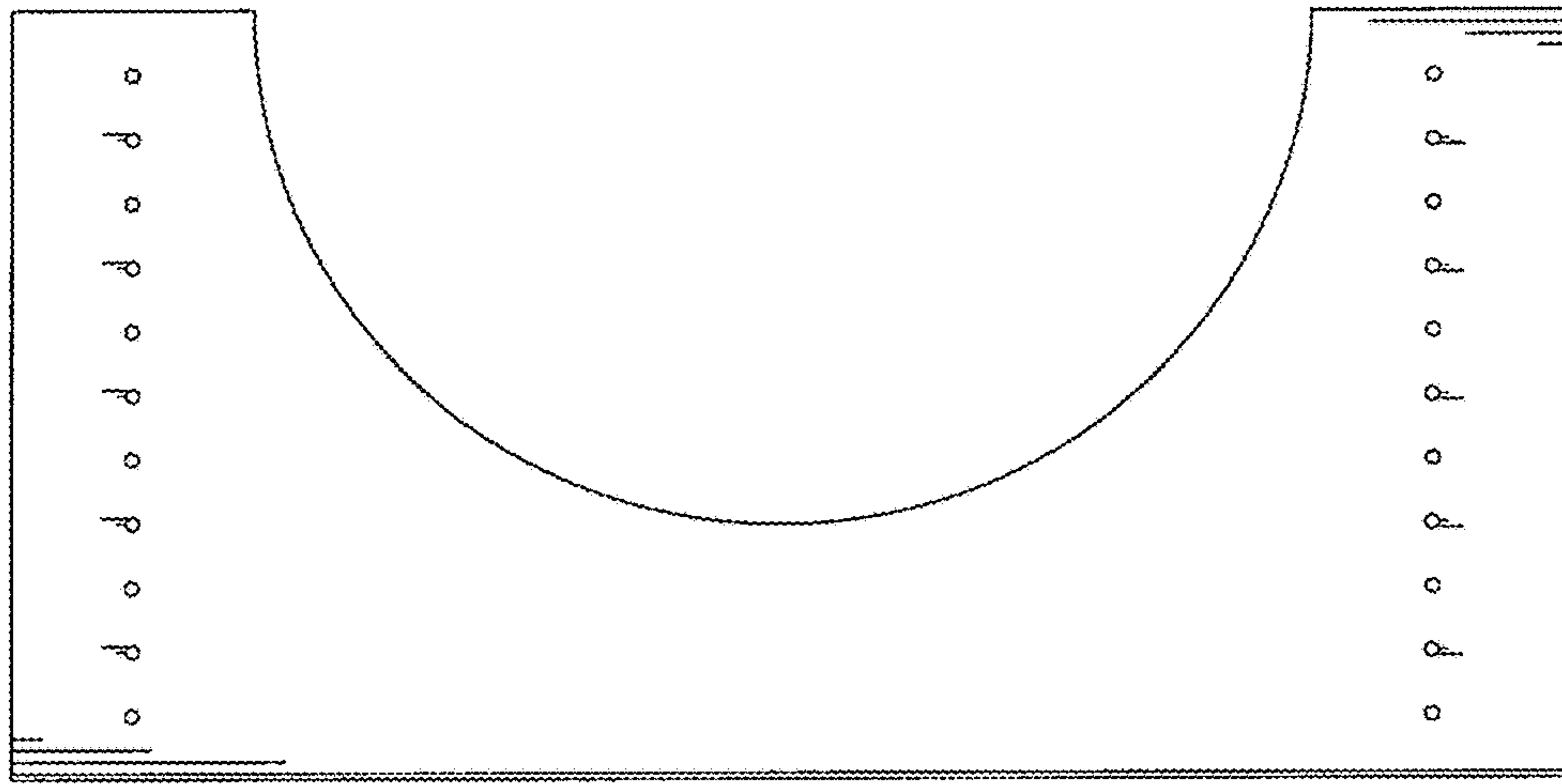


FIG. 7

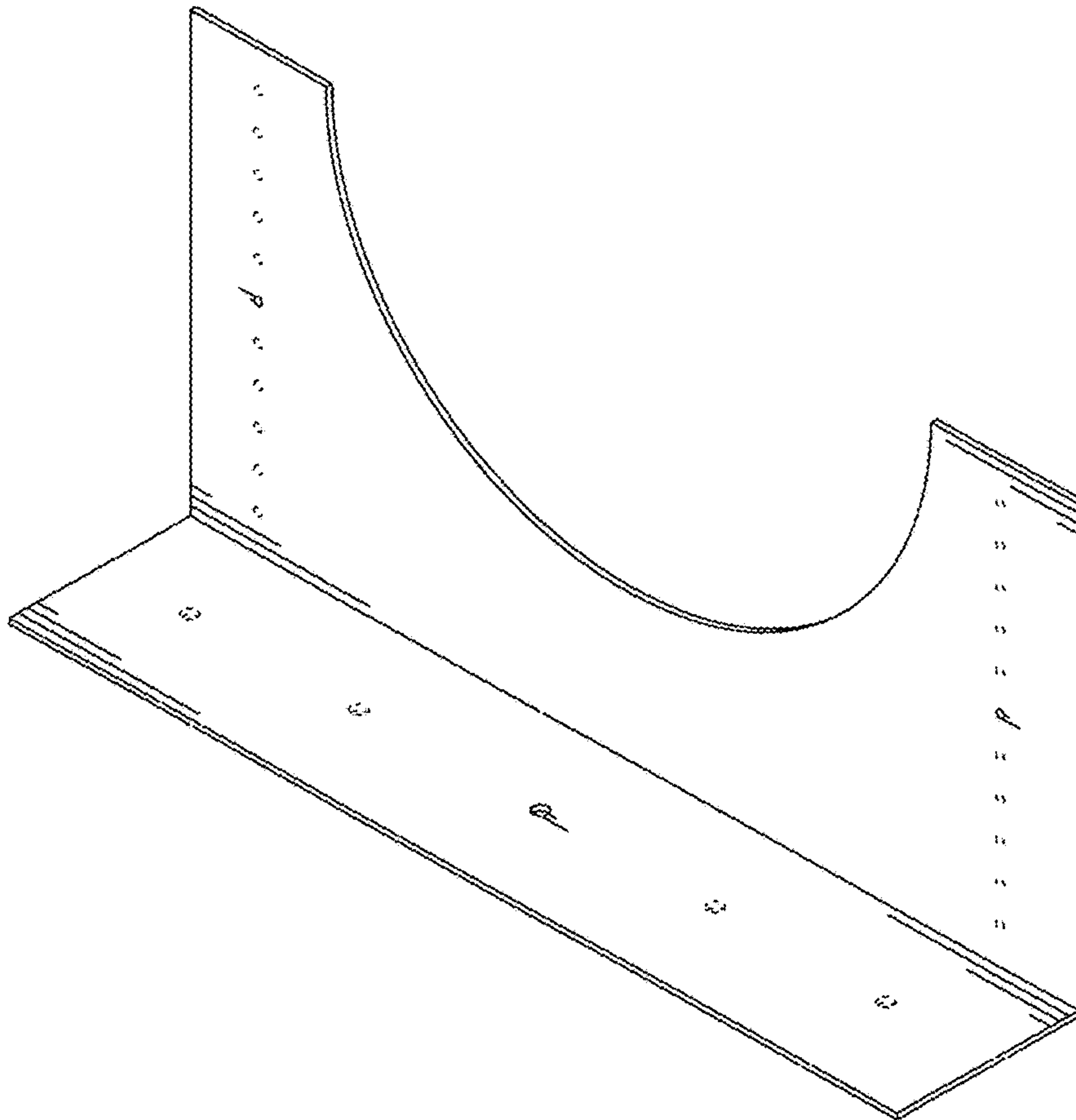


FIG. 8

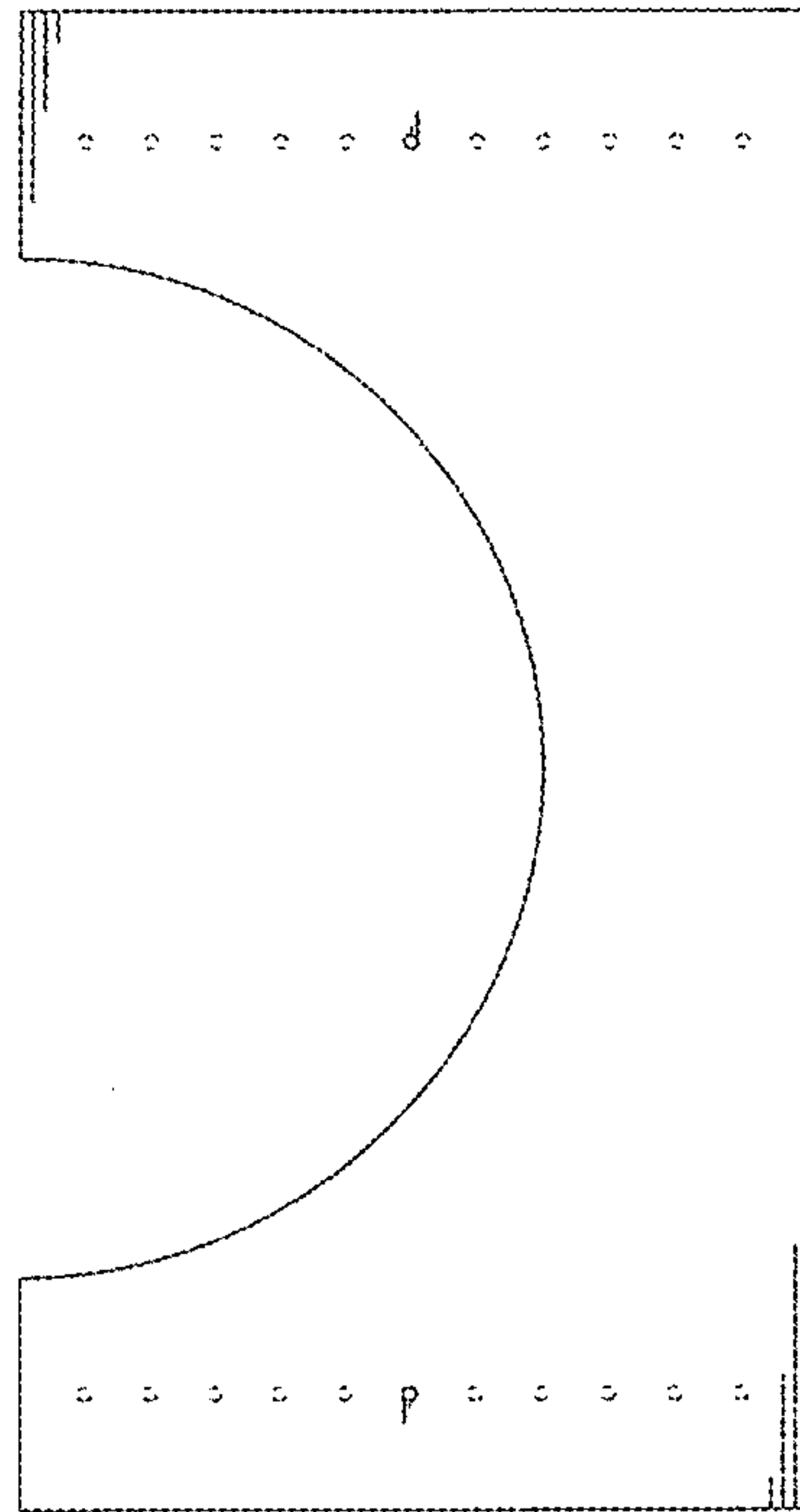


FIG. 9

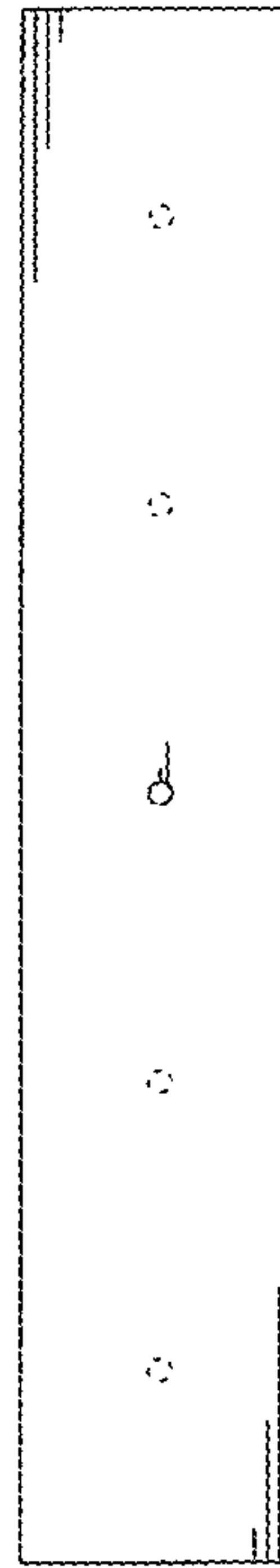


FIG. 10