



US00D784793S

(12) **United States Design Patent**
Kim et al.

(10) **Patent No.:** **US D784,793 S**

(45) **Date of Patent:** **** Apr. 25, 2017**

(54) **BRACKET FOR FIXING COMMUNICATION EQUIPMENT**

(71) Applicant: **Samsung Electronics Co., Ltd.**,
Suwon-si, Gyeonggi-do (KR)

(72) Inventors: **Kyu-Cheol Kim**, Seoul (KR); **Gi-Chun Nam**, Suwon-si (KR); **Eun-Uae Lee**, Seoul (KR); **Joon-Taek Lee**, Yongin-si (KR); **Tai-Hyung Ju**, Seoul (KR); **Dong-Ju Choi**, Suwon-si (KR)

(73) Assignee: **SAMSUNG ELECTRONICS CO., LTD.**, Gyeonggi-Do (KR)

(**) Term: **14 Years**

(21) Appl. No.: **29/520,379**

(22) Filed: **Mar. 13, 2015**

(30) **Foreign Application Priority Data**

Sep. 16, 2014 (KR) 30-2014-0044748

(51) **LOC (10) Cl.** **08-05**

(52) **U.S. Cl.**
USPC **D8/354**

(58) **Field of Classification Search**
USPC D8/349, 354–355, 373, 380, 382–383,
D8/394, 396; D13/102, 118, 149, 154,
D13/155, 184, 199; D16/330, 242;
D25/119.123–125; D21/484, 500, 504
CPC H02G 1/00; H02G 1/14
See application file for complete search history.

(56) **References Cited**

U.S. PATENT DOCUMENTS

- 7,946,540 B2 * 5/2011 Drane H02G 3/263
248/59
- D757,522 S * 5/2016 Kim D8/356
- D757,523 S * 5/2016 Kim D8/356
- D758,171 S * 6/2016 Kim D8/356

- D758,174 S * 6/2016 Lee D8/382
- D758,178 S * 6/2016 Kim D8/396
- D761,645 S * 7/2016 Kim D8/354
- D762,109 S * 7/2016 Lee D8/382
- D763,069 S * 8/2016 Lee D8/396

* cited by examiner

Primary Examiner — Lakiya Rogers

Assistant Examiner — Harold Blackwell, II

(74) *Attorney, Agent, or Firm* — Cantor Colburn LLP

(57) **CLAIM**

The ornamental design for a bracket for fixing communication equipment, as shown and described.

DESCRIPTION

FIG. 1 is a front perspective view of a bracket for fixing communication equipment, showing our new design;
 FIG. 2 is a front view thereof;
 FIG. 3 is a rear view thereof;
 FIG. 4 is a side view thereof;
 FIG. 5 is another side view thereof;
 FIG. 6 is a top view thereof;
 FIG. 7 is a bottom view thereof;
 FIG. 8 is a rear perspective view thereof; and,
 FIG. 9 is another perspective view thereof, as shown in an environment of use.

The broken lines are for environmental purpose only and form no part of the claimed design.

1 Claim, 9 Drawing Sheets

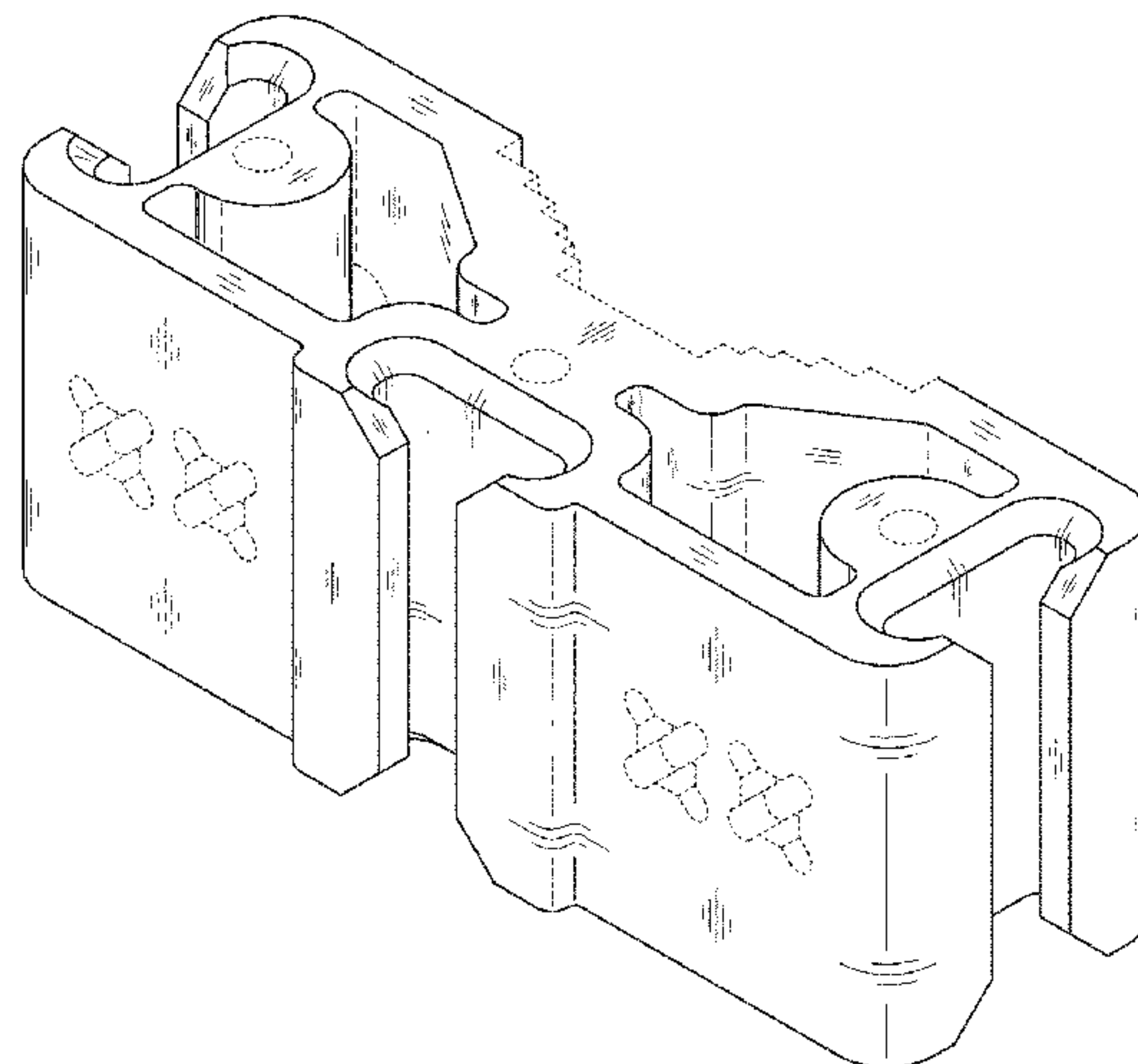


FIG. 1

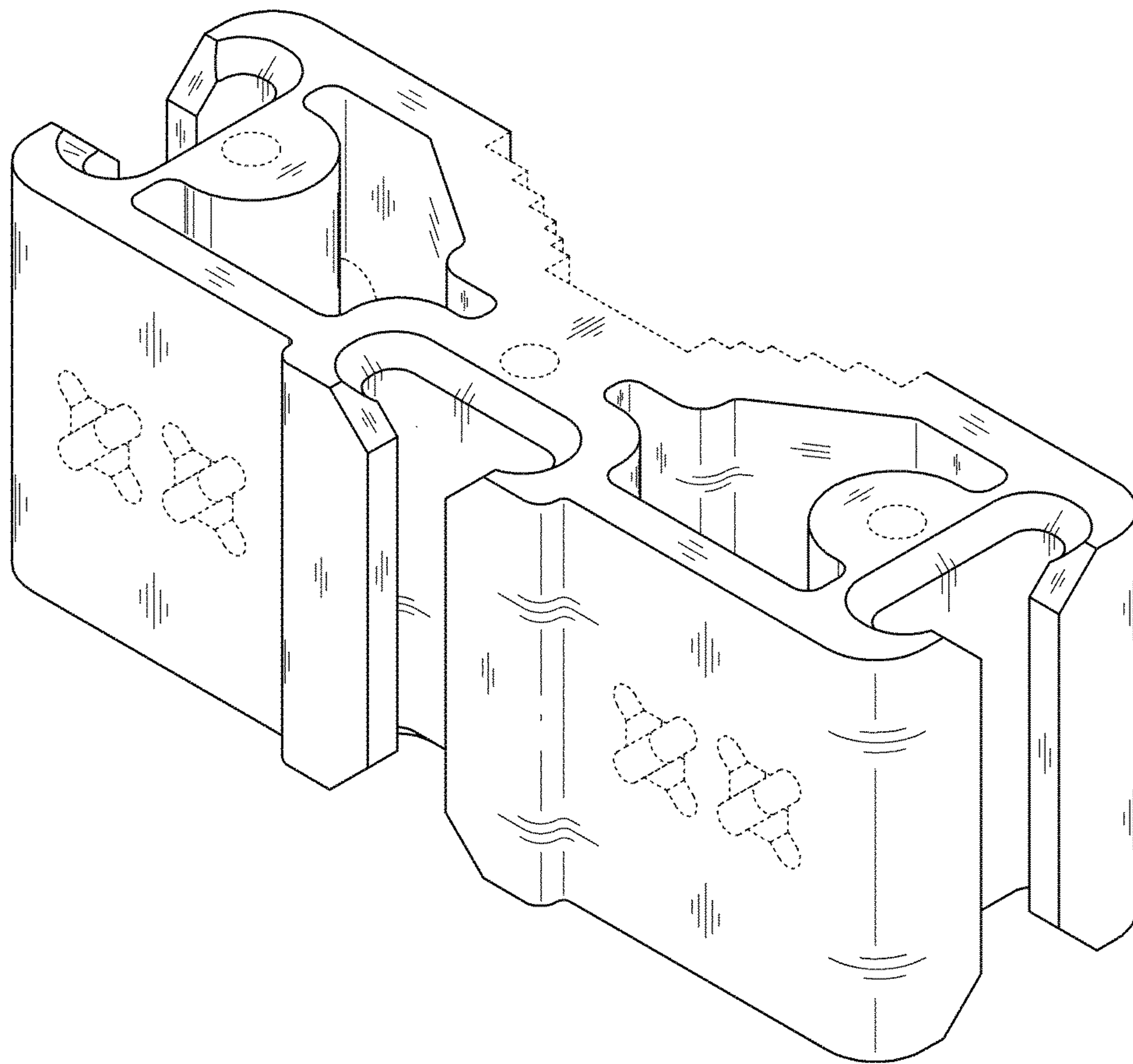


FIG. 2

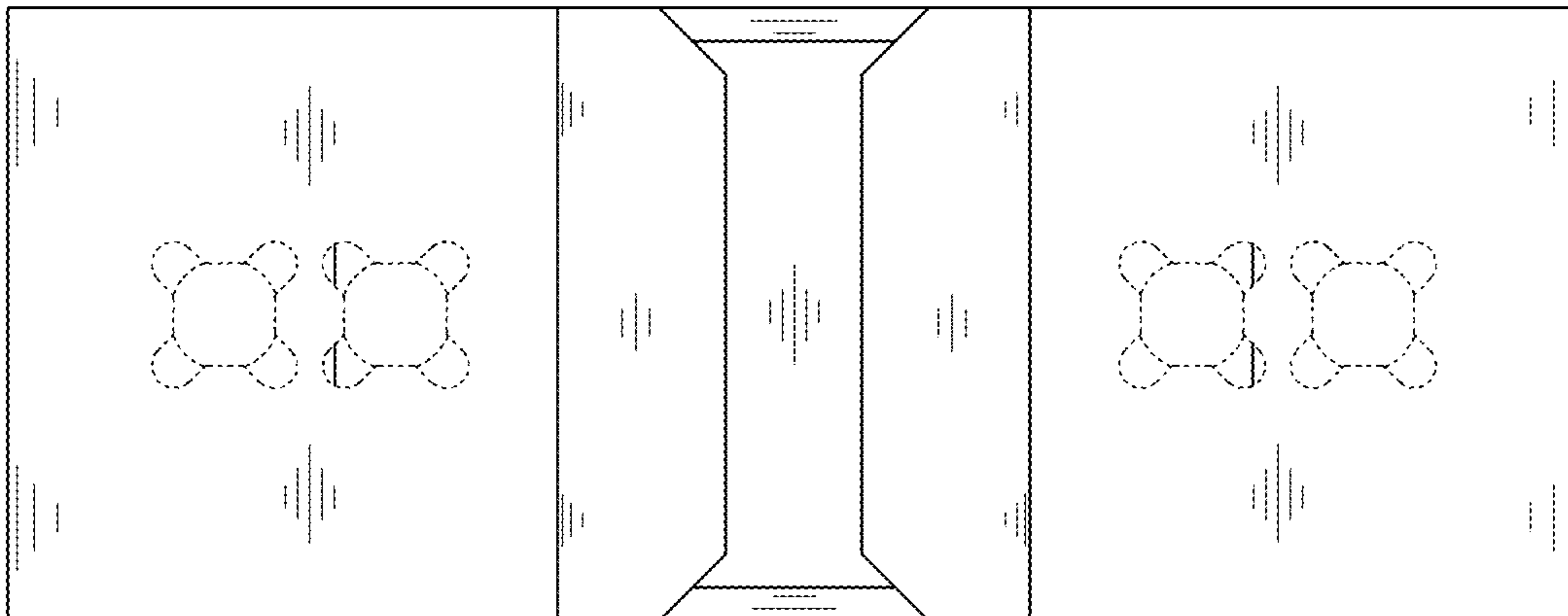


FIG. 3

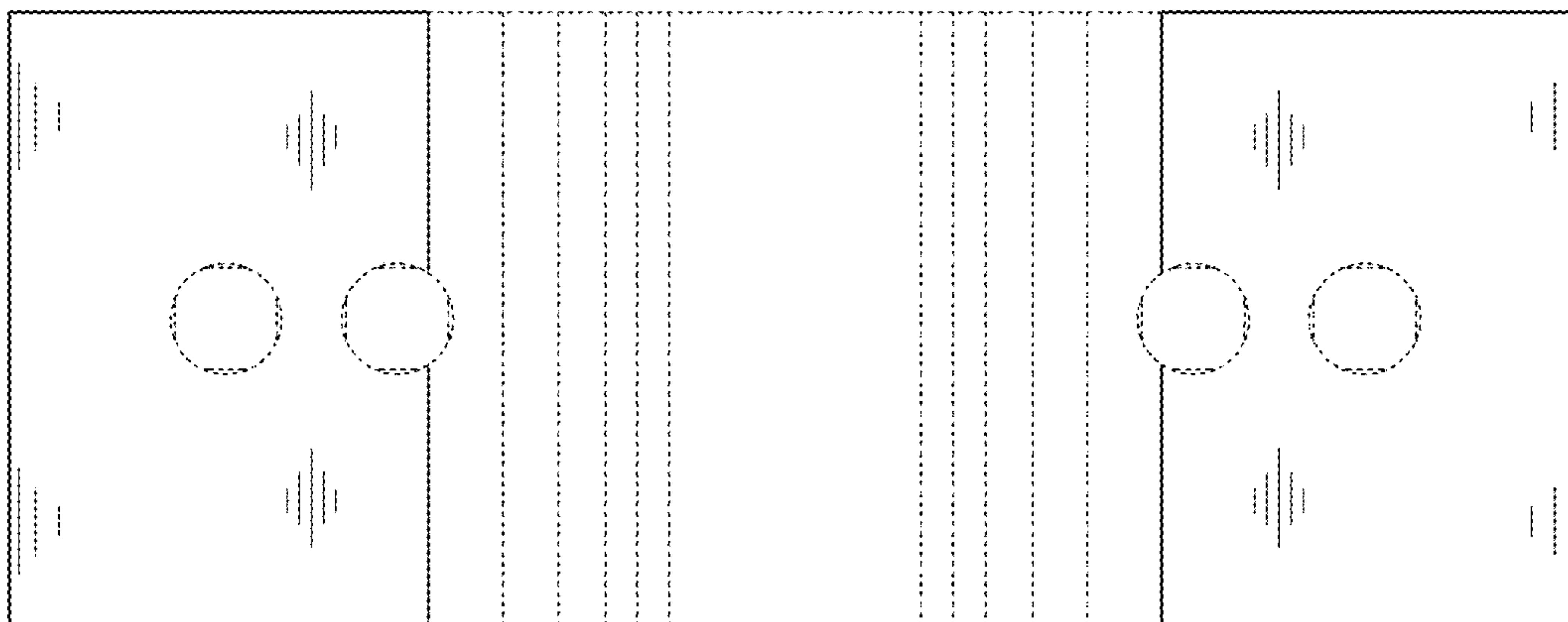


FIG. 4

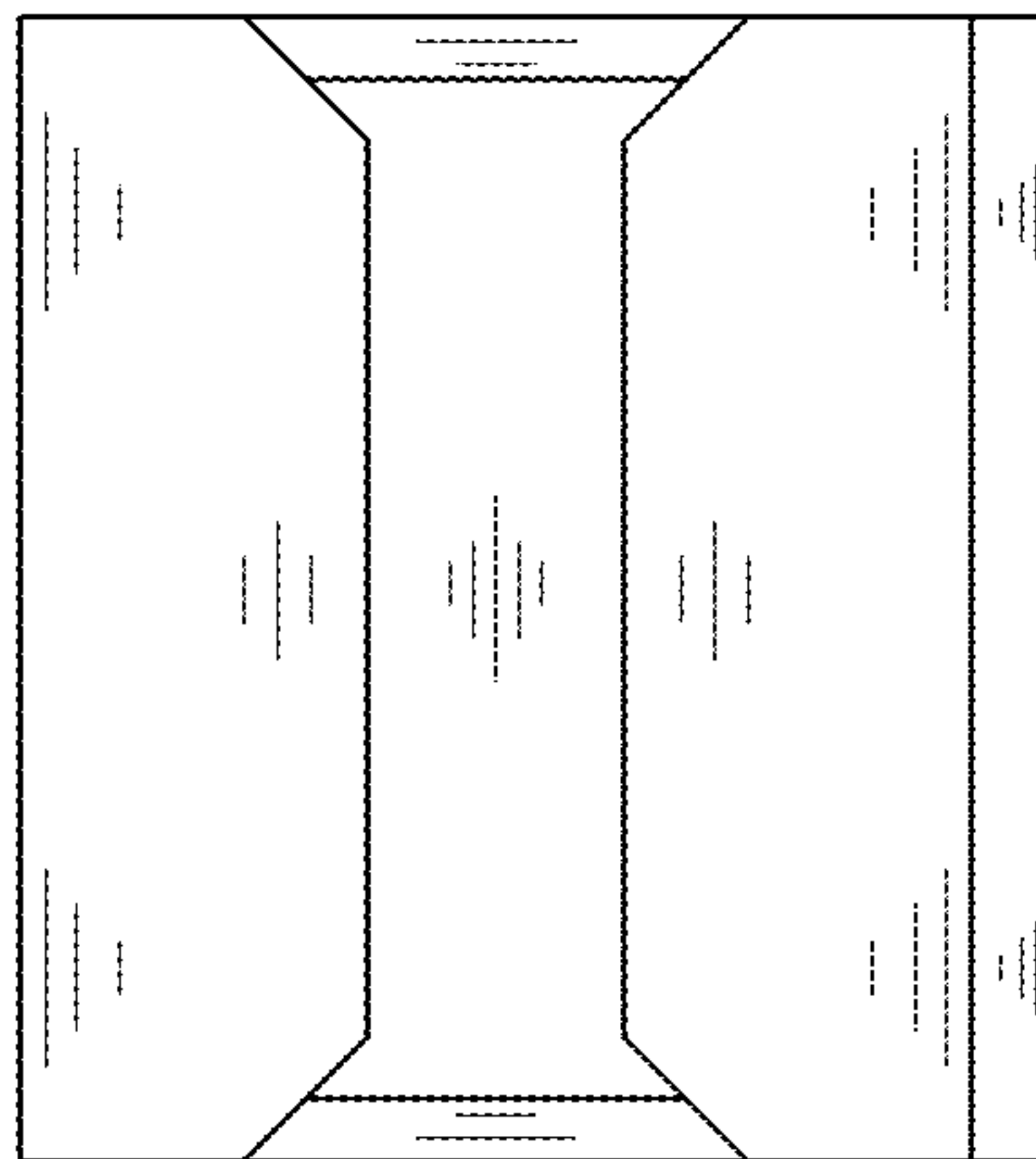


FIG. 5

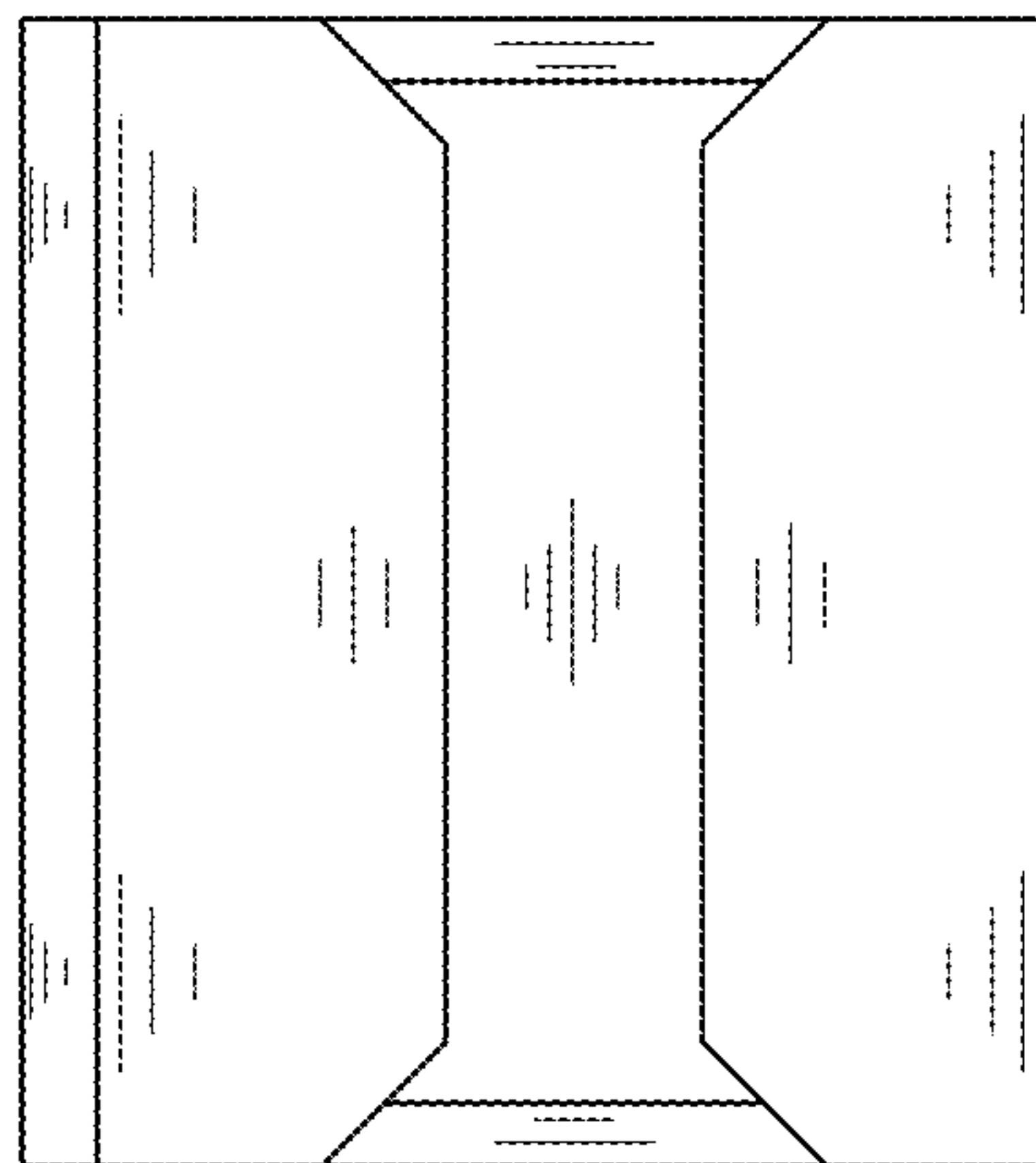


FIG. 6

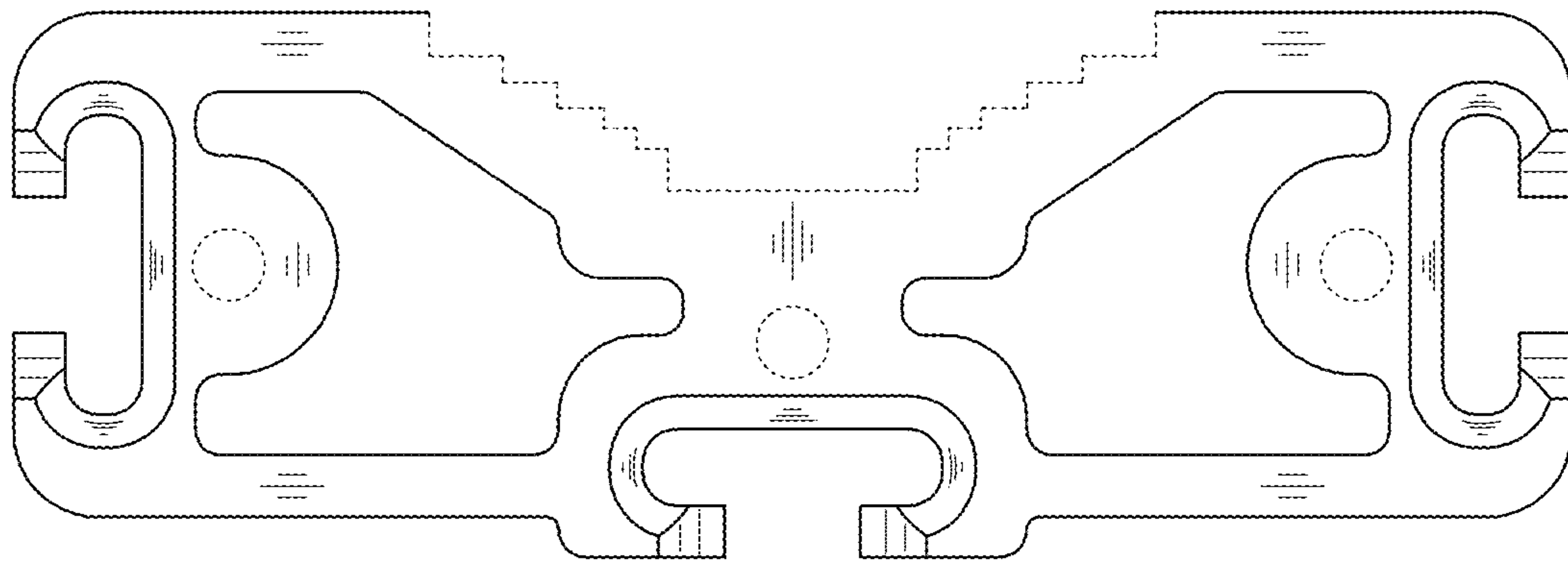


FIG. 7

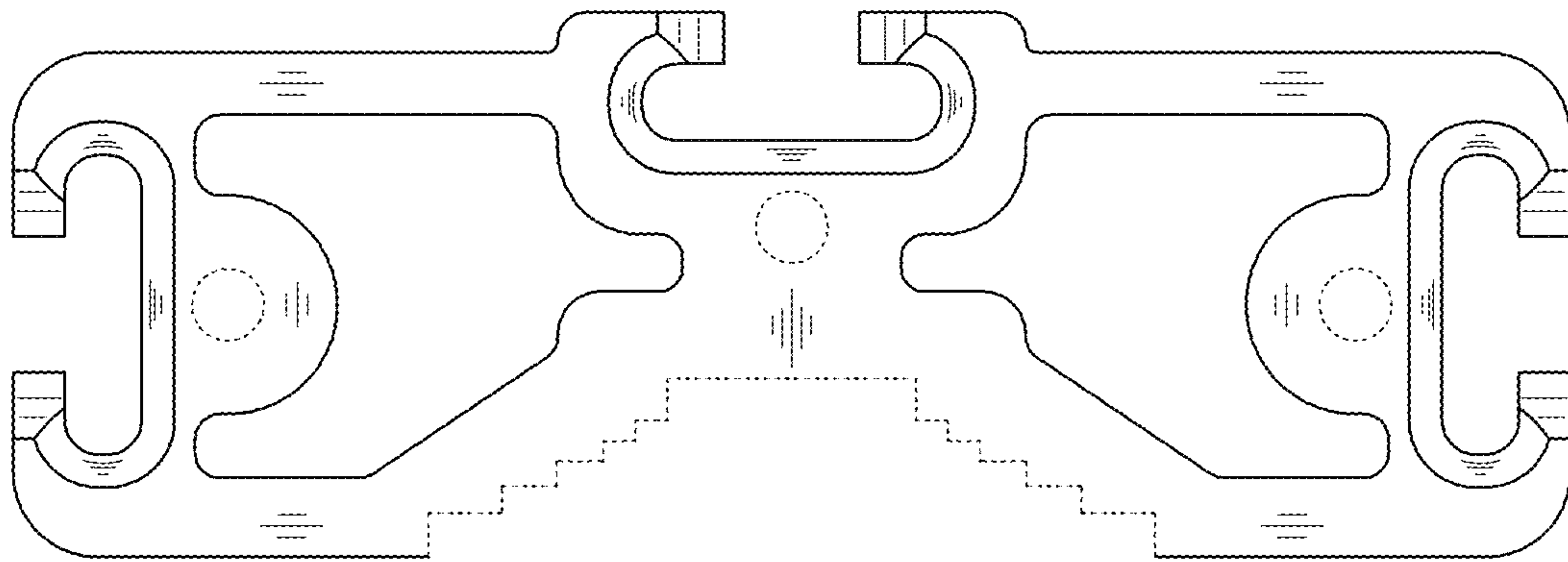


FIG. 8

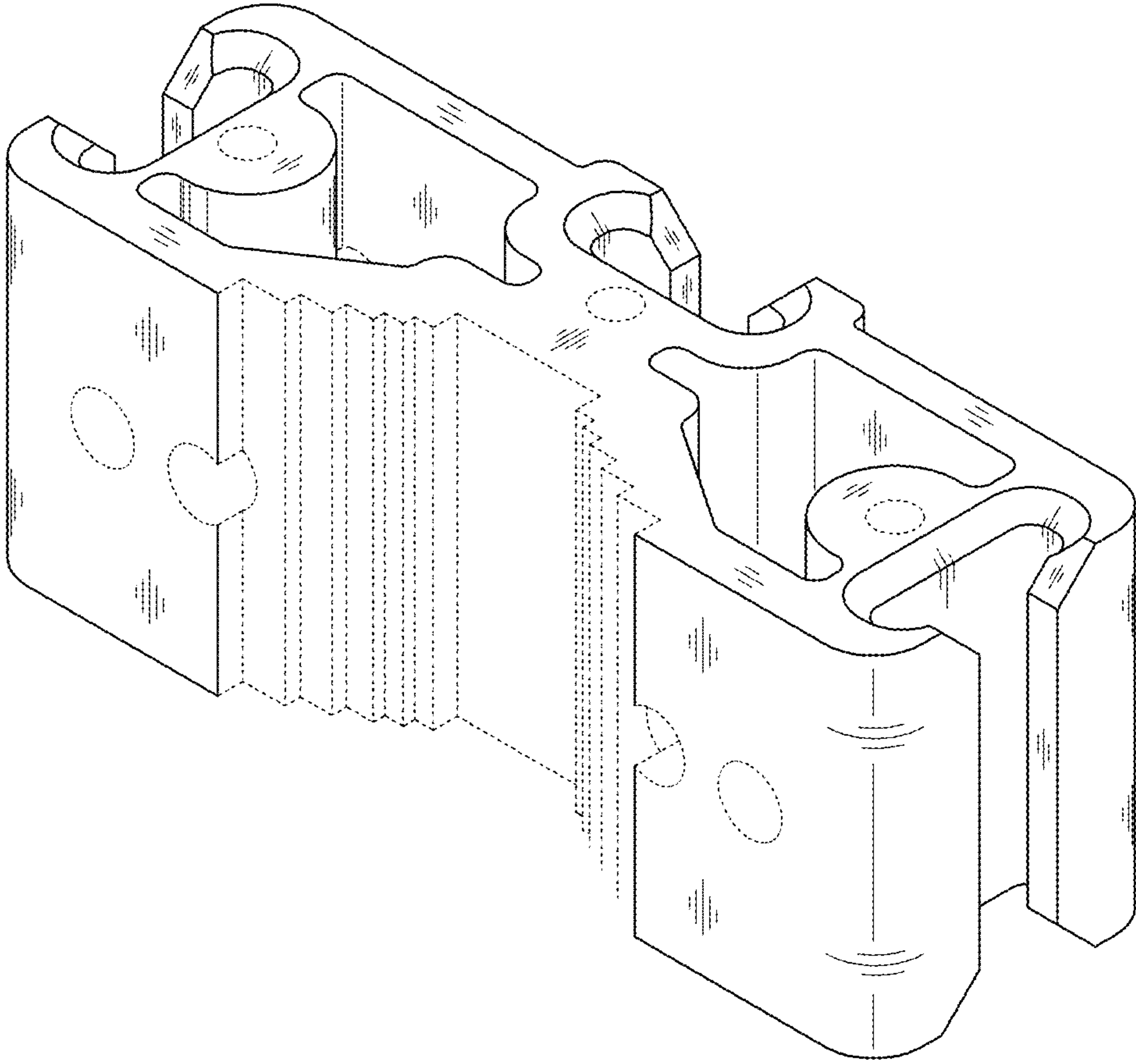


FIG. 9

