



US00D784789S

(12) **United States Design Patent**
Smither

(10) **Patent No.:** **US D784,789 S**
(45) **Date of Patent:** **** Apr. 25, 2017**

(54) **SHAPED PROTECTIVE COVER FOR A DOOR FIXTURE HANDLE**

(71) Applicant: **Kevin S. Smither**, Boca Raton, FL (US)

(72) Inventor: **Kevin S. Smither**, Boca Raton, FL (US)

(73) Assignee: **Pro Tec Bar, LLC**, Louisville, KY (US)

(**) Term: **14 Years**

(21) Appl. No.: **29/497,455**

(22) Filed: **Jul. 24, 2014**

(51) **LOC (10) Cl.** **08-06**

(52) **U.S. Cl.**
USPC **D8/322**

(58) **Field of Classification Search**
USPC ... D8/315-322, 343, 300, 301, 349, DIG. 1;
16/412, 413, 422, 430, 436, 902, 904;
49/460, 462; 52/717.01, 716.1
CPC A45C 13/22; A45C 13/28; A45C 13/26;
E05B 1/0066; E05B 65/1059; B25G 1/10;
B24B 29/06; E06B 7/285
See application file for complete search history.

(56) **References Cited**

U.S. PATENT DOCUMENTS

2,576,511	A *	11/1951	Jewett	E05B 1/0015	16/402
2,753,911	A *	7/1956	Haslett	E05B 1/0061	150/155
4,856,140	A *	8/1989	Visco	E03D 9/00	150/155
D313,336	S *	1/1991	Williams	D8/322	
D328,812	S *	8/1992	Pritchett	D34/27	
D370,110	S *	5/1996	Beam	D34/27	

6,715,225	B1 *	4/2004	Frolov	E05B 65/1053	292/336.3
D511,956	S *	11/2005	Elwell	D8/305	
6,966,101	B2 *	11/2005	Chiang	E05B 1/0015	16/412
7,219,394	B2 *	5/2007	Wu	E05B 1/0015	16/412
8,375,225	B1 *	2/2013	Ybarra	G06F 21/60	380/44
D722,859	S *	2/2015	Smither	D8/322	
9,194,156	B2 *	11/2015	Simon	E05B 1/0069	

* cited by examiner

Primary Examiner — Prabhakar Deshmukh

(74) *Attorney, Agent, or Firm* — Bingham Greenebaum Doll LLP; James C. Eaves, Jr.; Brian W. Chellgren

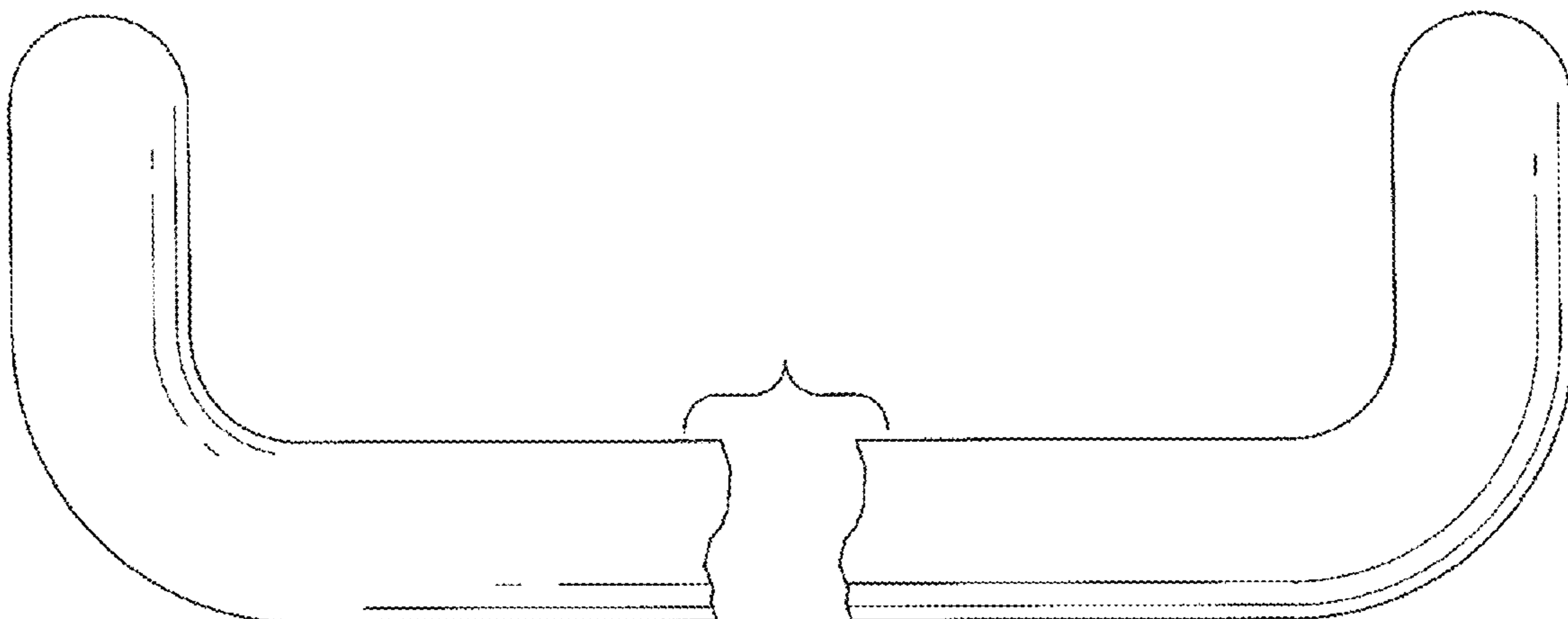
(57) **CLAIM**

The ornamental design for a shaped protective cover for a door fixture handle, as shown and described.

DESCRIPTION

FIG. 1 is a front view of the shaped protective cover for a door fixture handle of the present design;
FIG. 2 is a rear view of the shaped protective cover for a door fixture handle of the present design;
FIG. 3 is a top view of the shaped protective cover for a door fixture handle of the present design;
FIG. 4 is a bottom view of the shaped protective cover for a door fixture handle of the present design;
FIG. 5 is a right side view of a shaped protective cover for a door fixture handle of the present design; and,
FIG. 6 is a left side view of a shaped protective cover for a door fixture handle of the present design.
FIGS. 1-4 indicate indeterminate length of the shaped protective cover for a door fixture handle. The undisclosed portions between the break lines form no part of the claimed design.

1 Claim, 5 Drawing Sheets



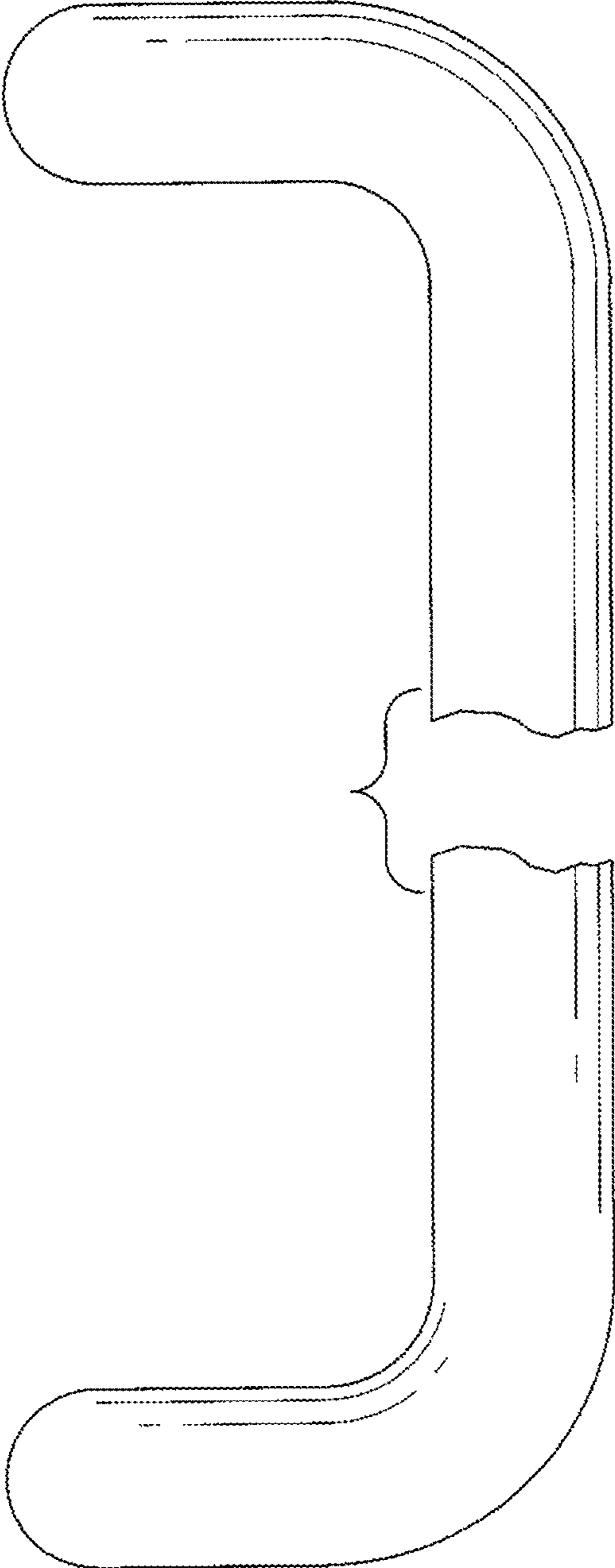


FIG. 1

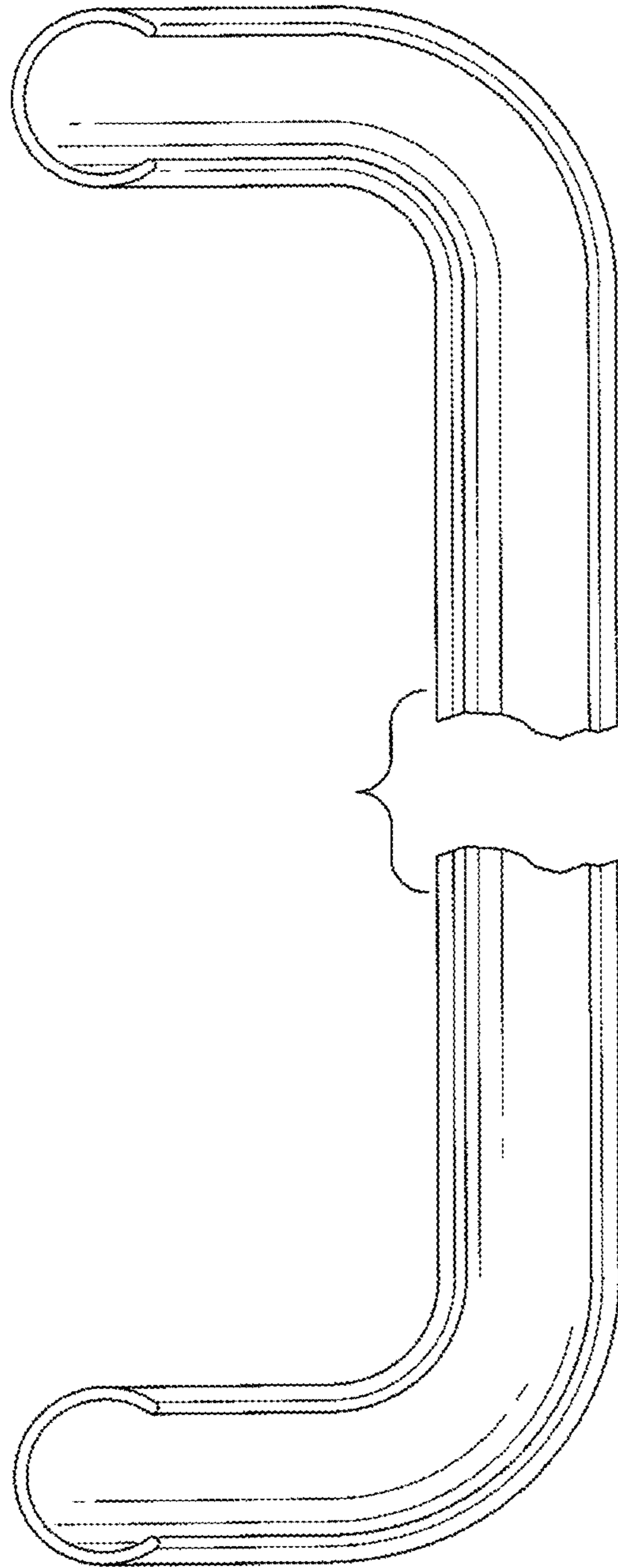


FIG. 2

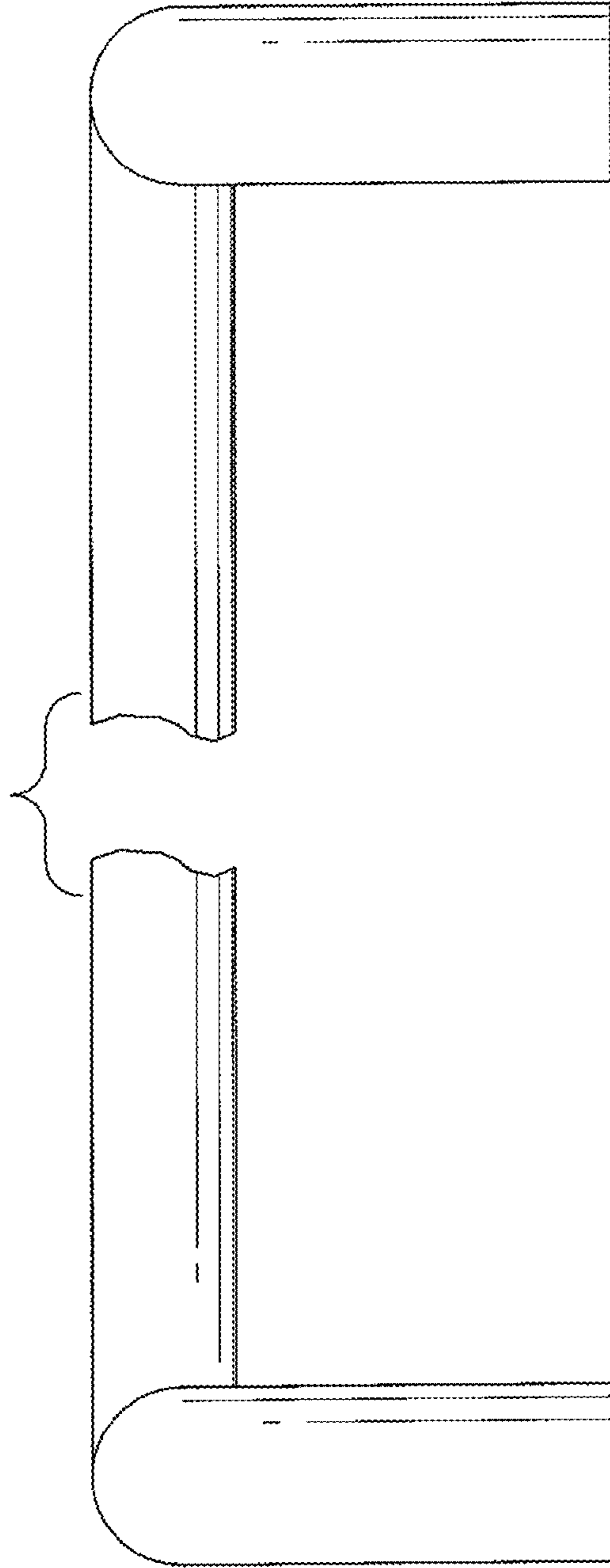


FIG. 3

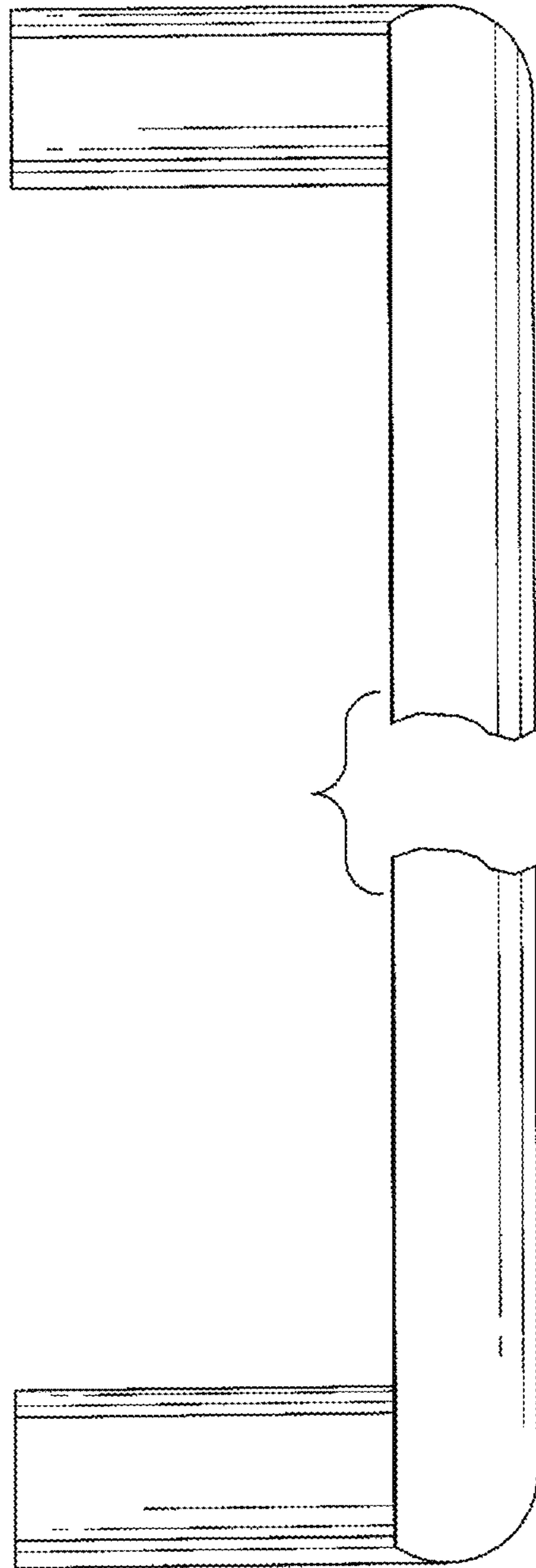


FIG. 4

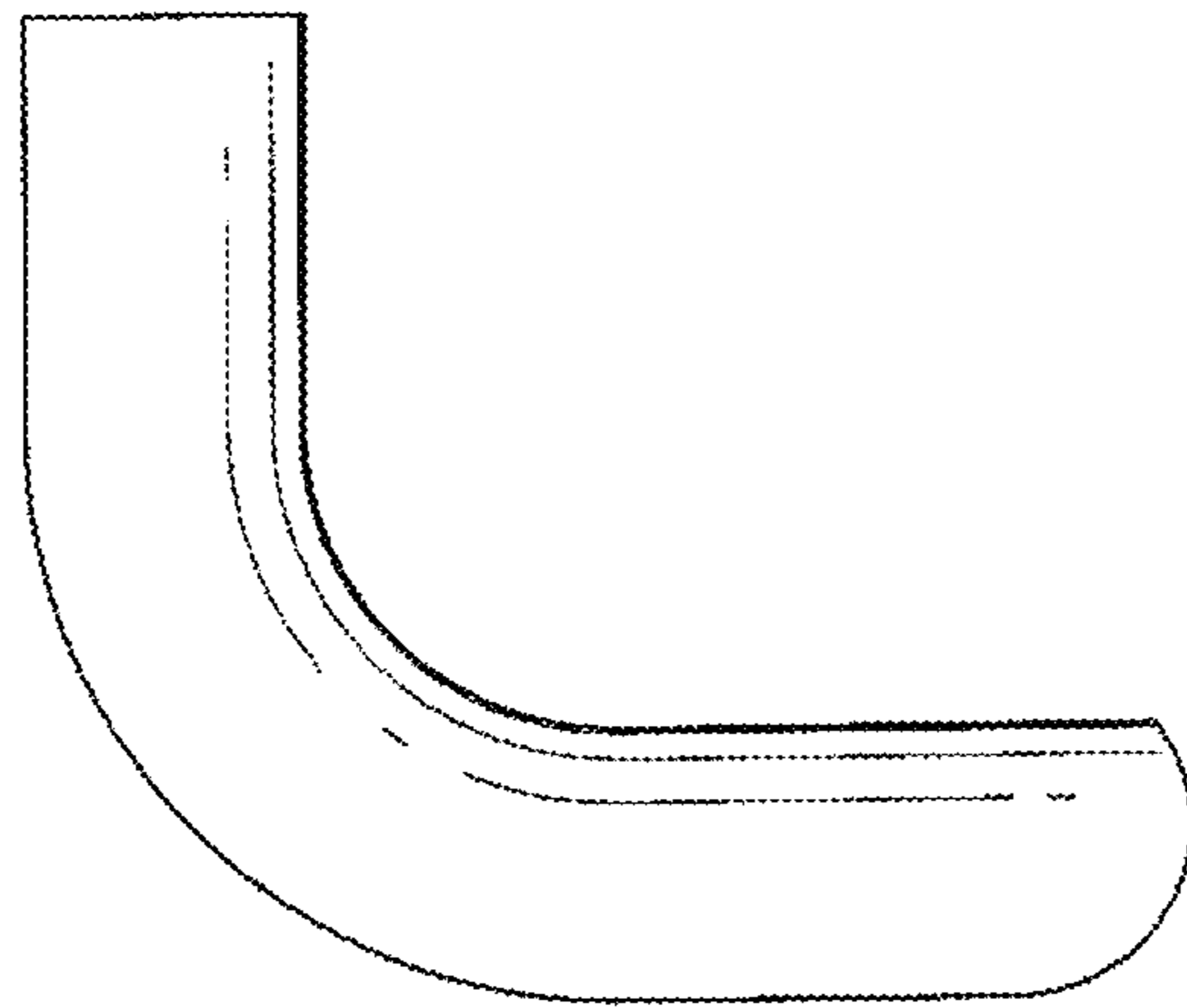


FIG. 5

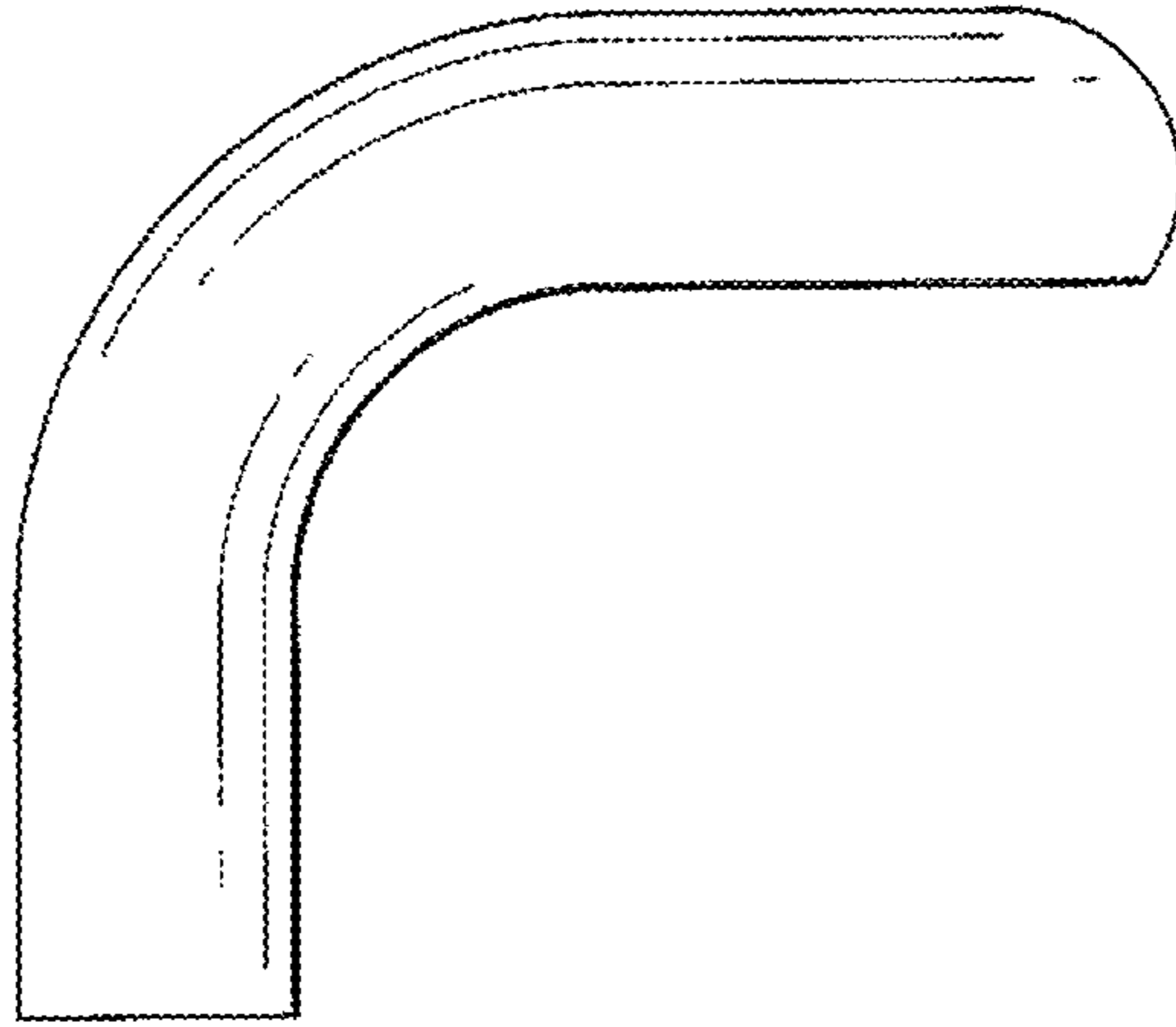


FIG. 6