



US00D784787S

(12) **United States Design Patent**
Bertani

(10) **Patent No.:** **US D784,787 S**
(45) **Date of Patent:** **** Apr. 25, 2017**

(54) **THREE-ARM KNOB**

(71) Applicant: **ELESA S.P.A.**, Milan (IT)
(72) Inventor: **Alberto Bertani**, Monza (IT)
(73) Assignee: **Elesa S.p.A.**, Milan (IT)

(**) Term: **15 Years**

(21) Appl. No.: **35/500,269**

(22) Filed: **Oct. 26, 2015**

(80) **Hague Agreement Data**

Int. Filing Date: **Oct. 26, 2015**
Int. Reg. No.: **DM/088085**
Int. Reg. Date: **Oct. 26, 2015**
Int. Reg. Pub. Date: **Nov. 20, 2015**

(30) **Foreign Application Priority Data**

May 4, 2015 (IT) 402015902347860

(51) **LOC (10) Cl.** **08-06**

(52) **U.S. Cl.**
USPC **D8/307**

(58) **Field of Classification Search**

USPC D8/300-316, 394-397; D7/393-396,
D7/405; D13/173, 174; D2/249-252;
4/355, 369, 675, 676, 678, 679; 5/503.1;
16/110.1, 111.1, 417, 430; 248/534, 541
See application file for complete search history.

(56) **References Cited**

U.S. PATENT DOCUMENTS

D127,735 S * 6/1941 Drefuss 74/553
D190,597 S * 6/1961 Nelson D23/250
D269,409 S * 6/1983 Ferdinand D8/307
5,355,539 A * 10/1994 Boettger A61G 5/10
24/265 C
D409,156 S * 5/1999 Taylor D13/174
D434,115 S * 11/2000 Meda D23/252
D434,475 S * 11/2000 Meda D23/252
D462,111 S * 8/2002 Turnau, III D23/252
D464,248 S * 10/2002 Laabs D8/341
D464,249 S * 10/2002 Laabs D8/343
D644,085 S * 8/2011 Jungen D8/307
D657,654 S * 4/2012 Matsumiya D8/312

* cited by examiner

Primary Examiner — Richard E Chilcot

(74) *Attorney, Agent, or Firm* — Pearne & Gordon LLP

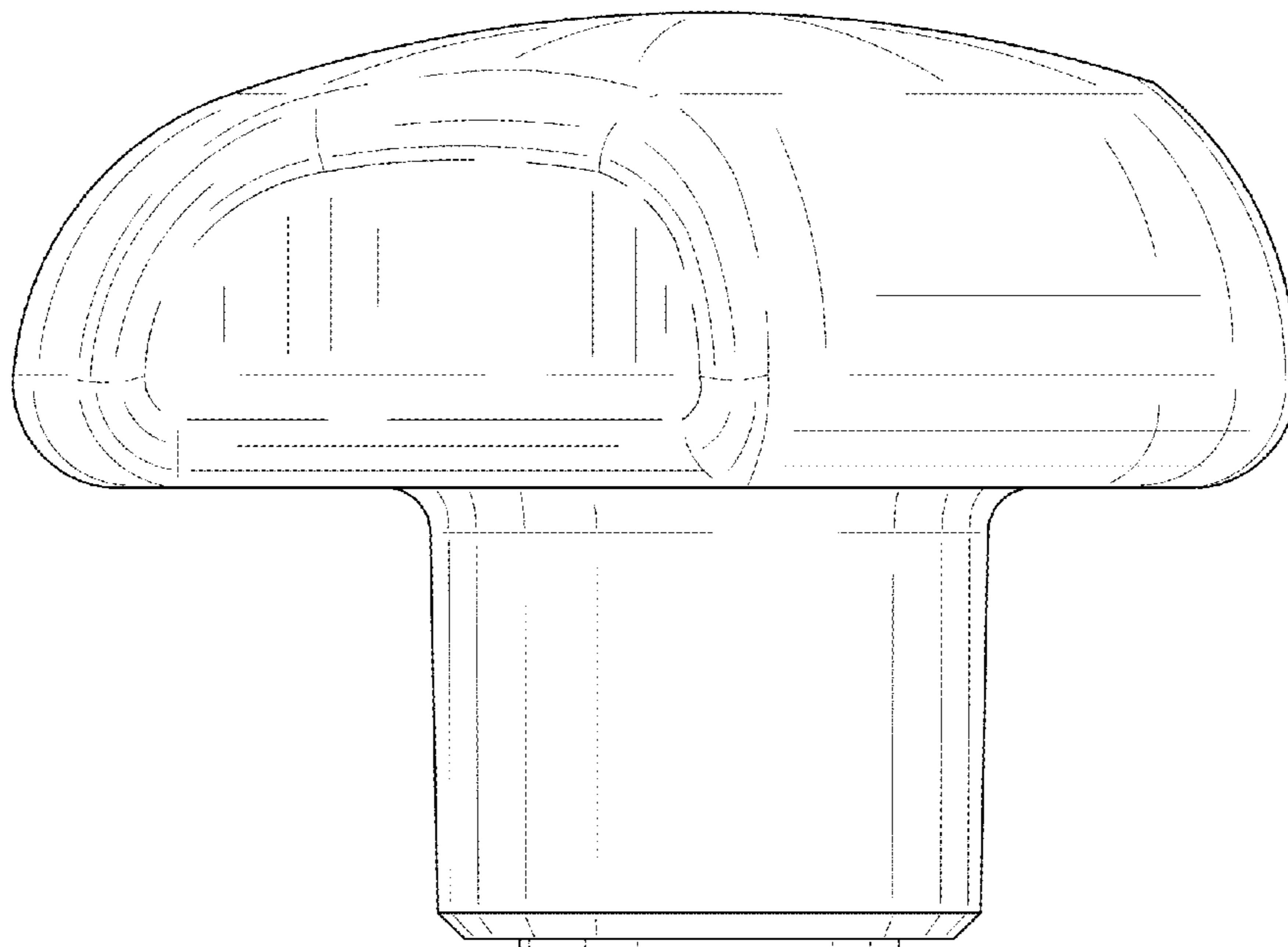
(57) **CLAIM**

The ornamental design for a three-arm knob, as shown and described.

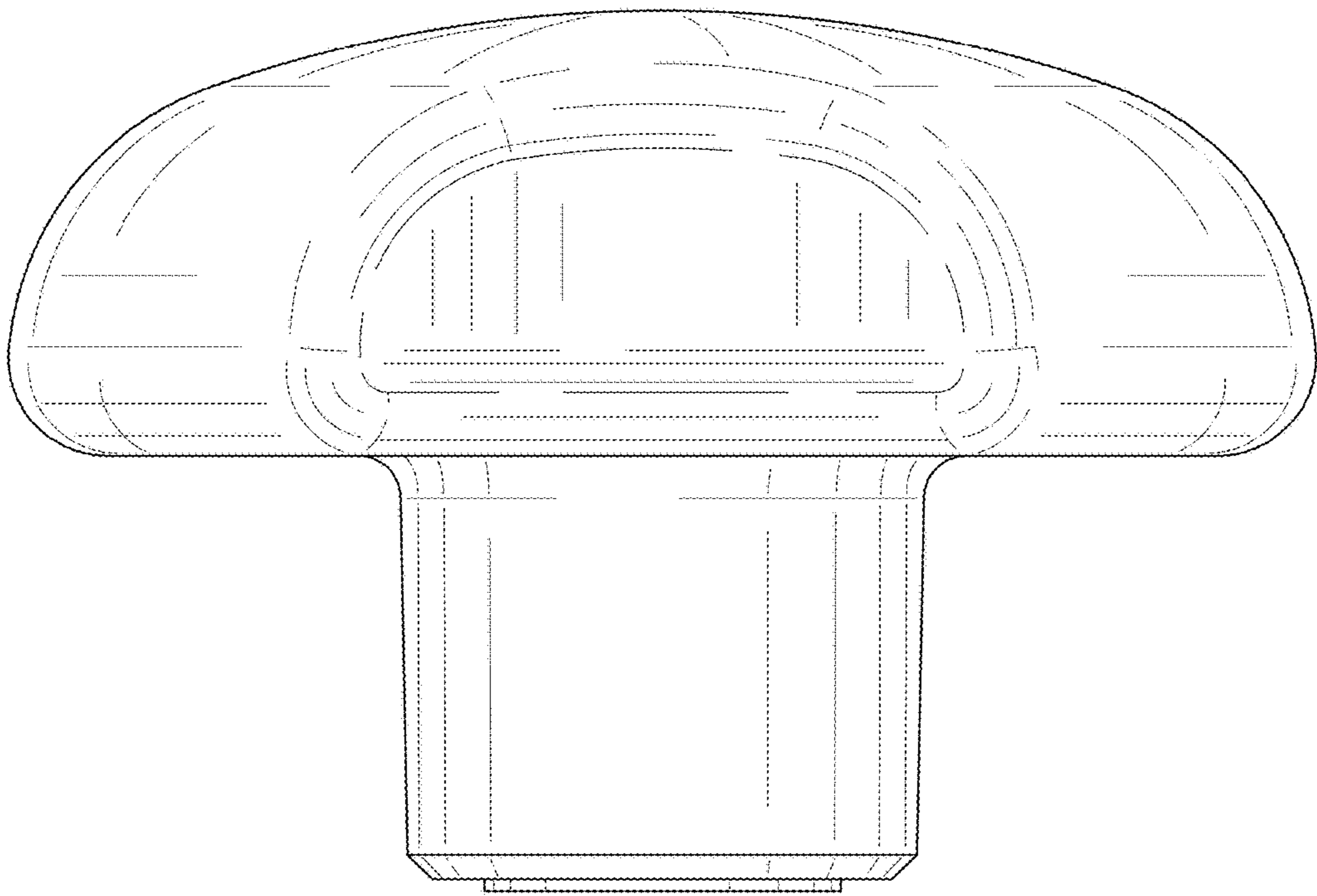
DESCRIPTION

- 1.1** is a rear elevation view of the three-arm knob showing our new design;
- 1.2** is a front elevation view thereof;
- 1.3** is a top plan view thereof;
- 1.4** is a right side elevation view thereof;
- 1.5** is a left side elevation view thereof; and
- 1.6** is a bottom view thereof.

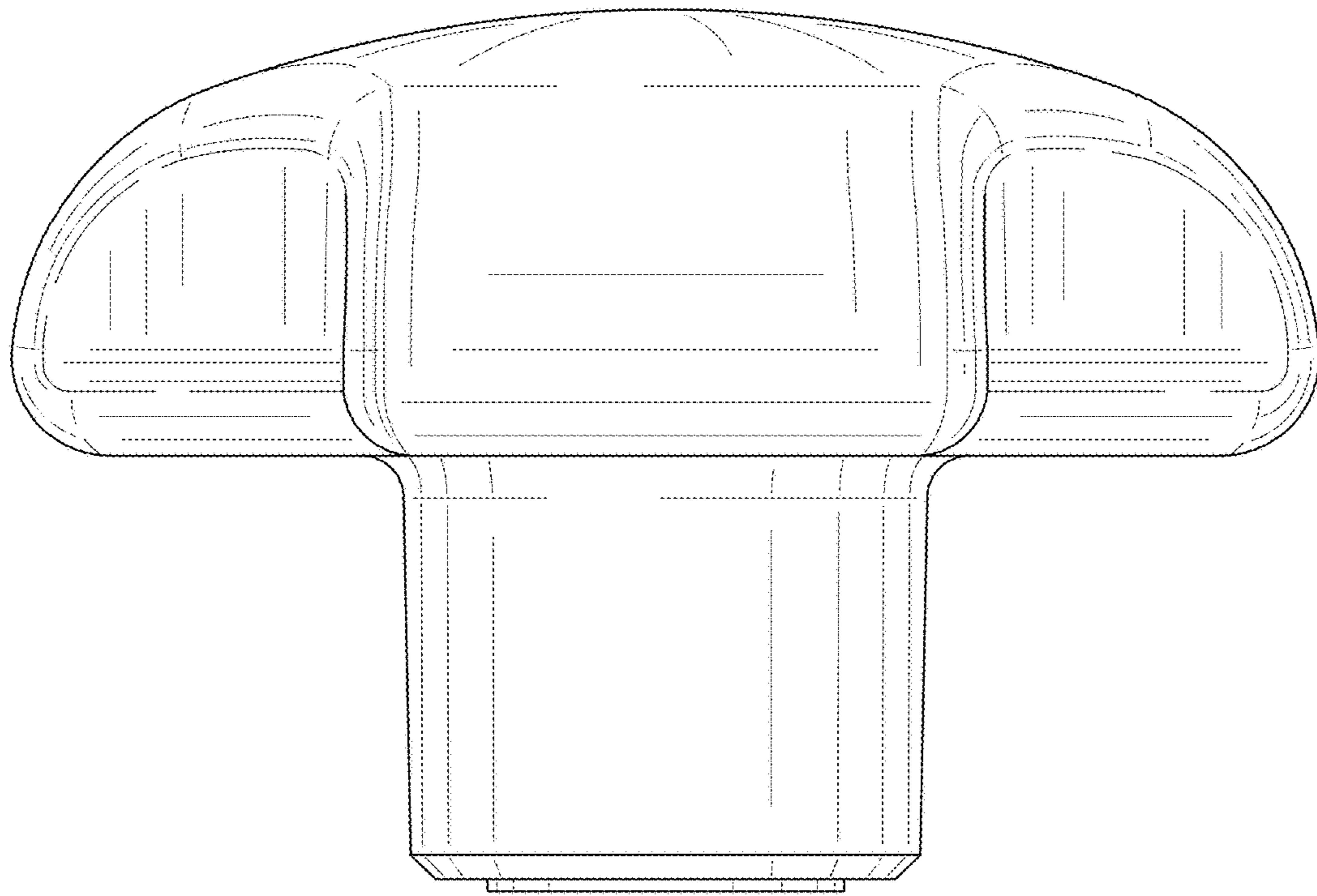
1 Claim, 6 Drawing Sheets



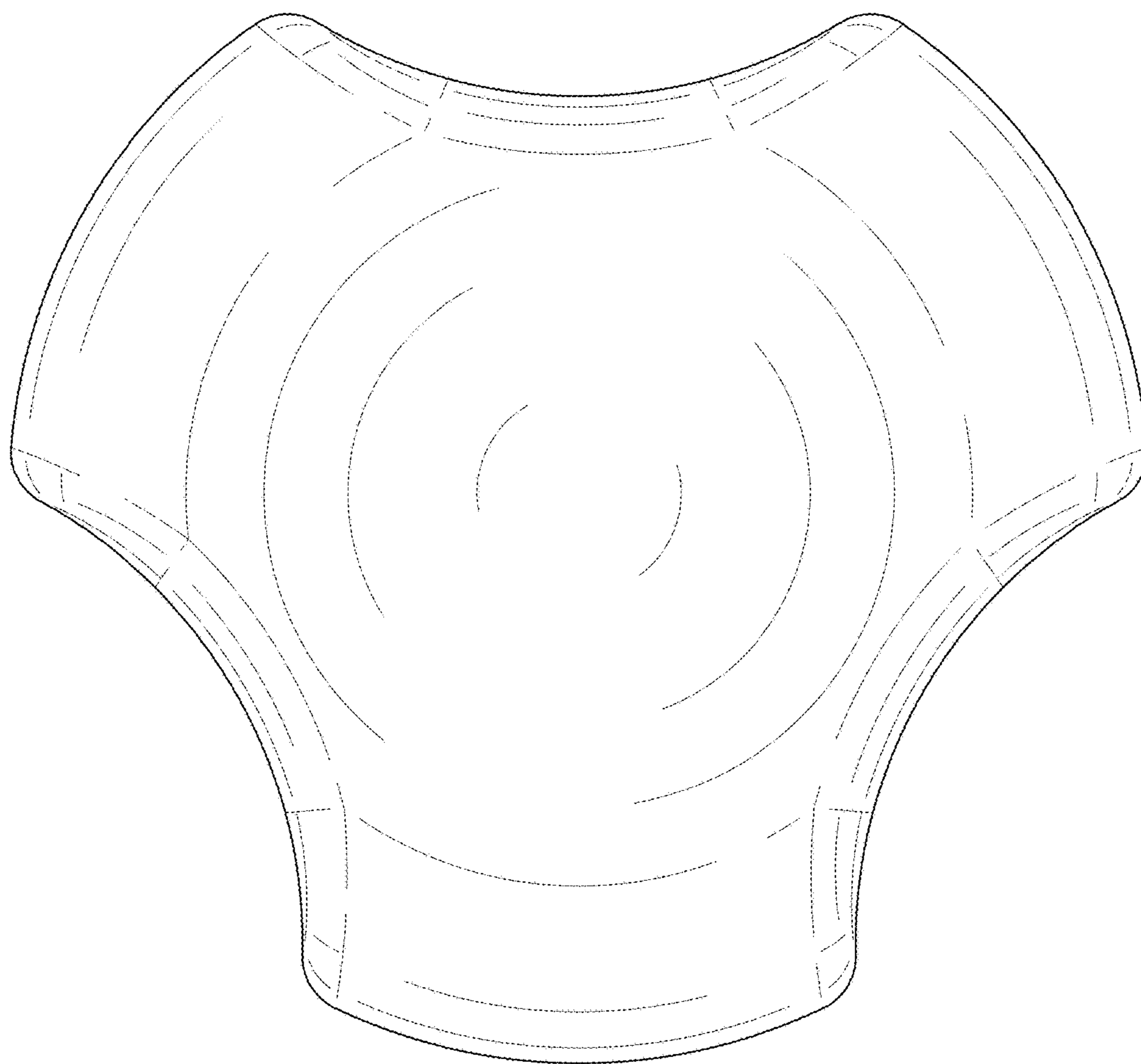
1.1



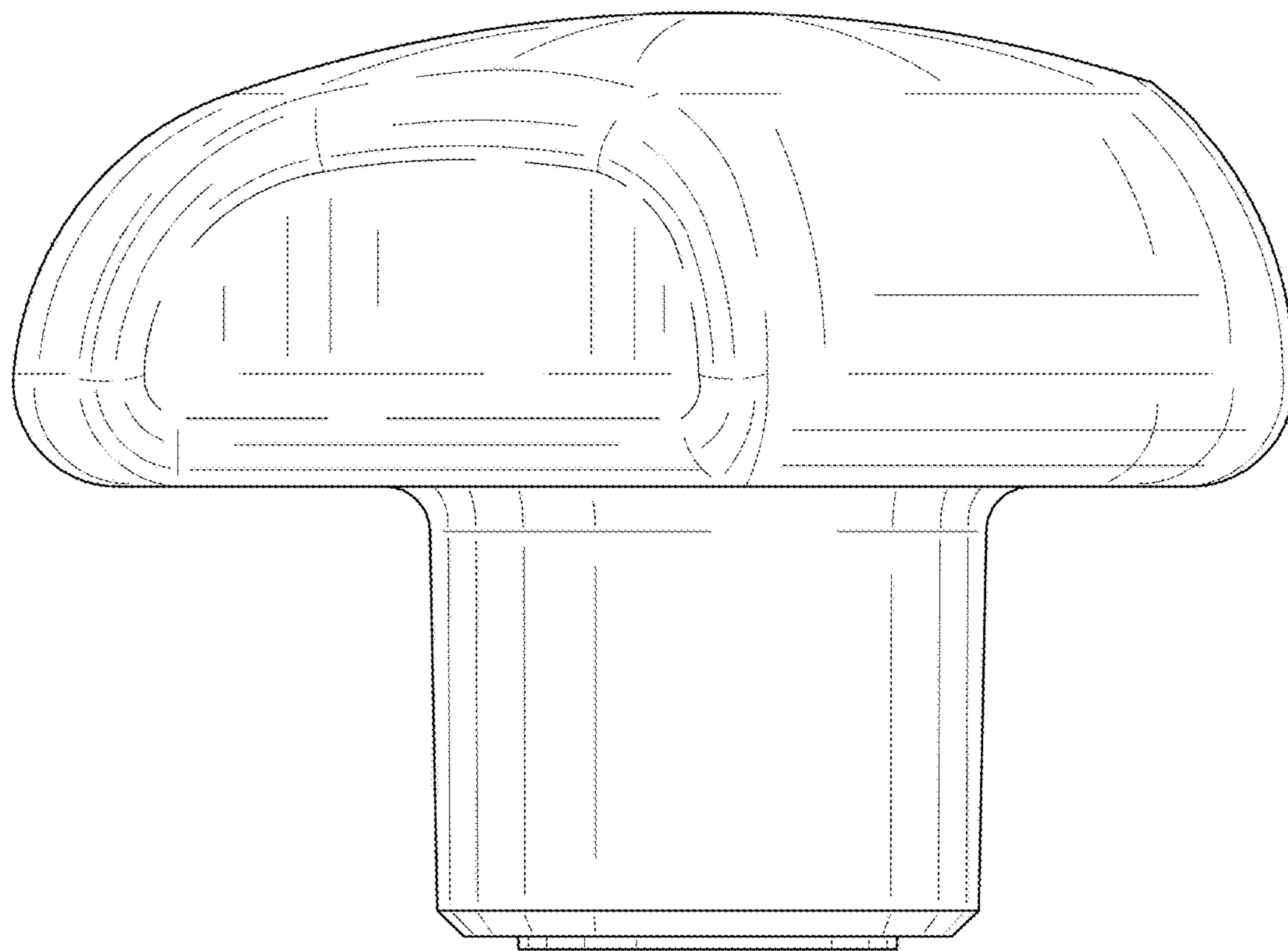
1.2



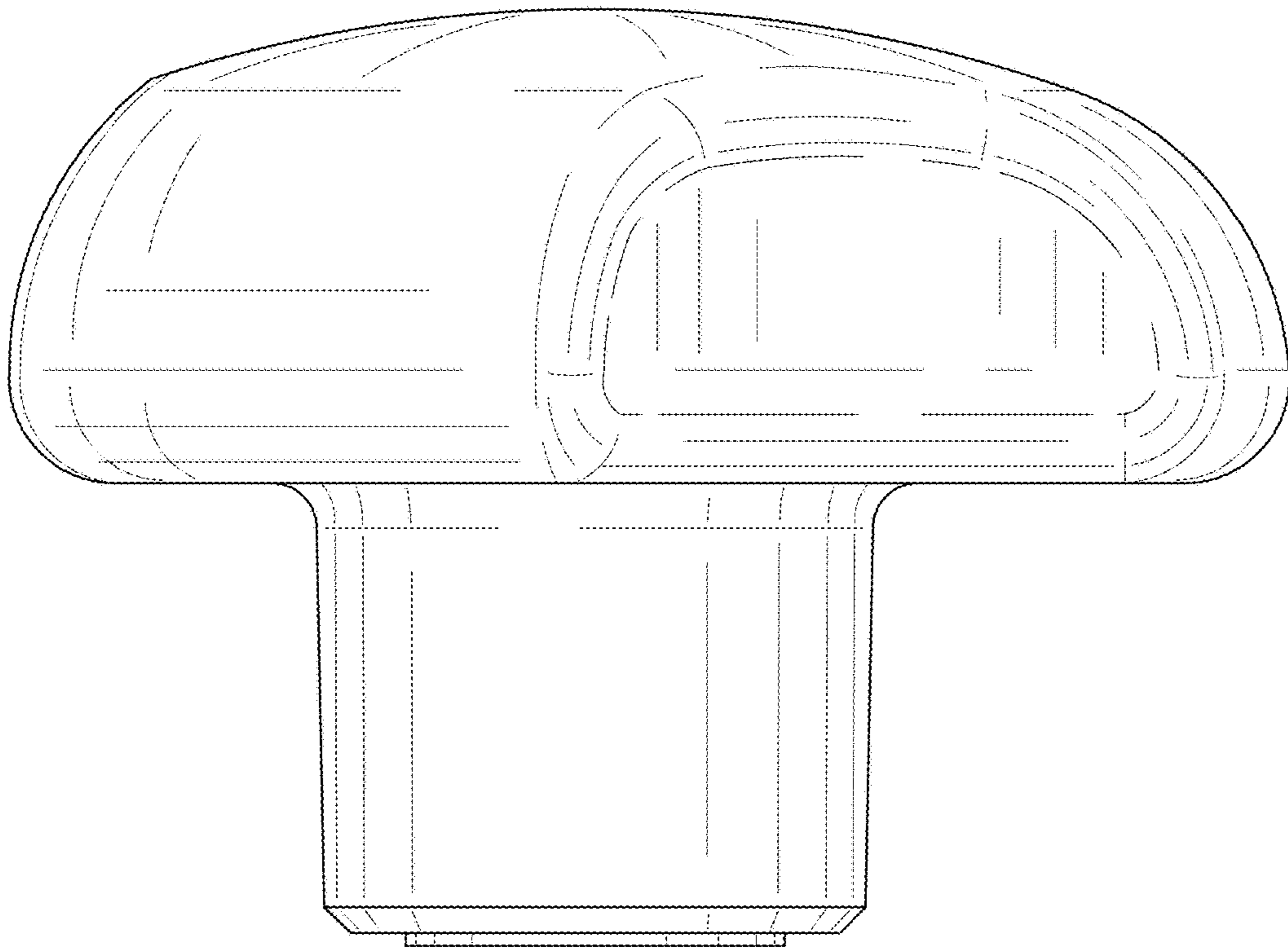
1.3



1.4



1.5



1.6

