



US00D784785S

(12) **United States Design Patent**  
**Sasaki**

(10) **Patent No.:** **US D784,785 S**  
(45) **Date of Patent:** **\*\* Apr. 25, 2017**

(54) **OPERATION LEVER FOR WORKING MACHINE**

(71) Applicant: **Kubota Corporation**, Osaka-shi (JP)

(72) Inventor: **Wataru Sasaki**, Sakai (JP)

(73) Assignee: **KUBOTA CORPORATION**, Osaka (JP)

(\*\*) Term: **15 Years**

(21) Appl. No.: **29/550,024**

(22) Filed: **Dec. 30, 2015**

(30) **Foreign Application Priority Data**

Jul. 2, 2015 (JP) ..... 2015-014733

(51) **LOC (10) Cl.** ..... **08-06**

(52) **U.S. Cl.**  
USPC ..... **D8/300**; D12/179

(58) **Field of Classification Search**

USPC ..... D8/107, 300, 302, 303, 307; D14/412, D14/415, 416; D15/10; D12/179

CPC .... H01H 13/14; H01H 25/041; H01H 25/008;

H01H 2221/012; H01H 2025/043; H01H

13/705; H01H 2025/046; H01H

2239/006; H01H 2215/006; H01H

2003/0293; H01H 3/12; H01H 13/84;

H01H 2205/002; H01H 9/0214; H01H

9/0235; B62D 1/12; B62D 11/183; B62D

1/046; B62D 11/006; Y10T 74/20201;

Y10T 74/20012; Y10T 74/20396; Y10T

74/20256; Y10T 74/20612; Y10T

74/20073; Y10T 137/87072; Y10T

74/20207; Y10T 74/2014; Y10T 74/2042;

G05G 9/047; G05G 2009/04774

See application file for complete search history.

(56) **References Cited**

**U.S. PATENT DOCUMENTS**

5,497,847 A \* 3/1996 Ota ..... B60K 20/02  
180/333

5,921,141 A \* 7/1999 Gouselis ..... F16H 59/042  
74/471 XY  
D412,824 S \* 8/1999 Hoefle ..... D8/303  
6,192,771 B1 \* 2/2001 Gouselis ..... B60K 20/04  
74/471 XY  
D440,918 S \* 4/2001 Pfeiffer ..... D12/179  
D463,765 S \* 10/2002 Pfeiffer ..... D12/179  
6,827,174 B2 \* 12/2004 Chernoff ..... B60T 7/08  
180/333  
D617,240 S \* 6/2010 Rosenbohm ..... D12/179  
9,268,353 B2 \* 2/2016 Magrini ..... F16H 59/042  
2010/0186533 A1 \* 7/2010 Akahane ..... E02F 9/2004  
74/483 R  
2013/0228390 A1 \* 9/2013 Tsuji ..... B60W 30/18181  
180/333

**FOREIGN PATENT DOCUMENTS**

JP D1306857 S 7/2007  
JP D1425721 S 10/2011  
JP D1480896 S 10/2013

\* cited by examiner

*Primary Examiner* — Derrick Holland

*Assistant Examiner* — Lauren Calve

(74) *Attorney, Agent, or Firm* — The Webb Law Firm

(57) **CLAIM**

The ornamental design for an operation lever for working machine, as shown and described.

**DESCRIPTION**

FIG. 1 is a front view of an operation lever for working machine showing my new design;

FIG. 2 is a rear view thereof;

FIG. 3 is a left side view thereof;

FIG. 4 is a right side view thereof;

FIG. 5 is a top view thereof;

FIG. 6 is a bottom view thereof;

FIG. 7 is a rear perspective view thereof; and,

FIG. 8 is a front perspective view thereof.

**1 Claim, 8 Drawing Sheets**

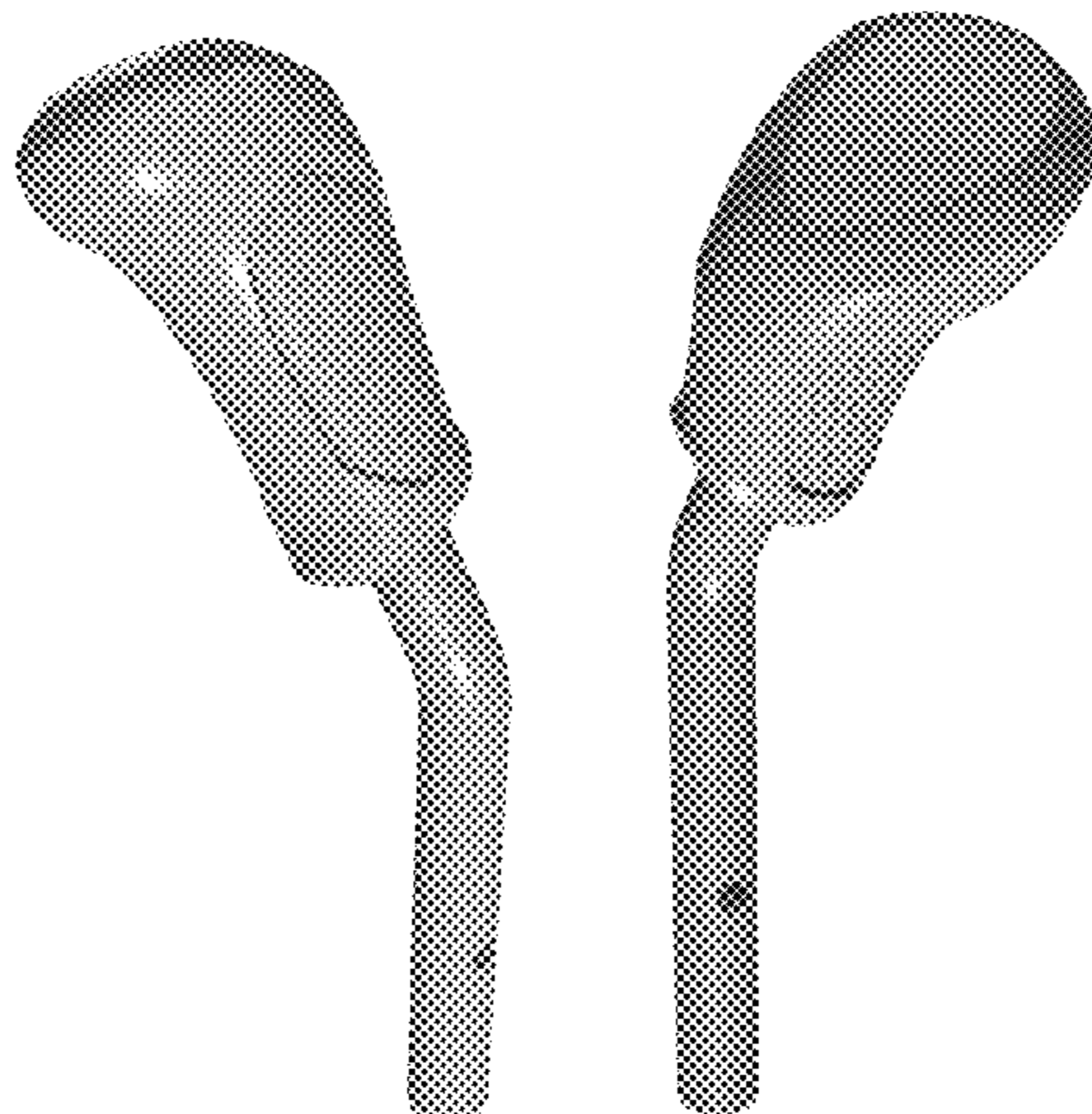


FIG. 1

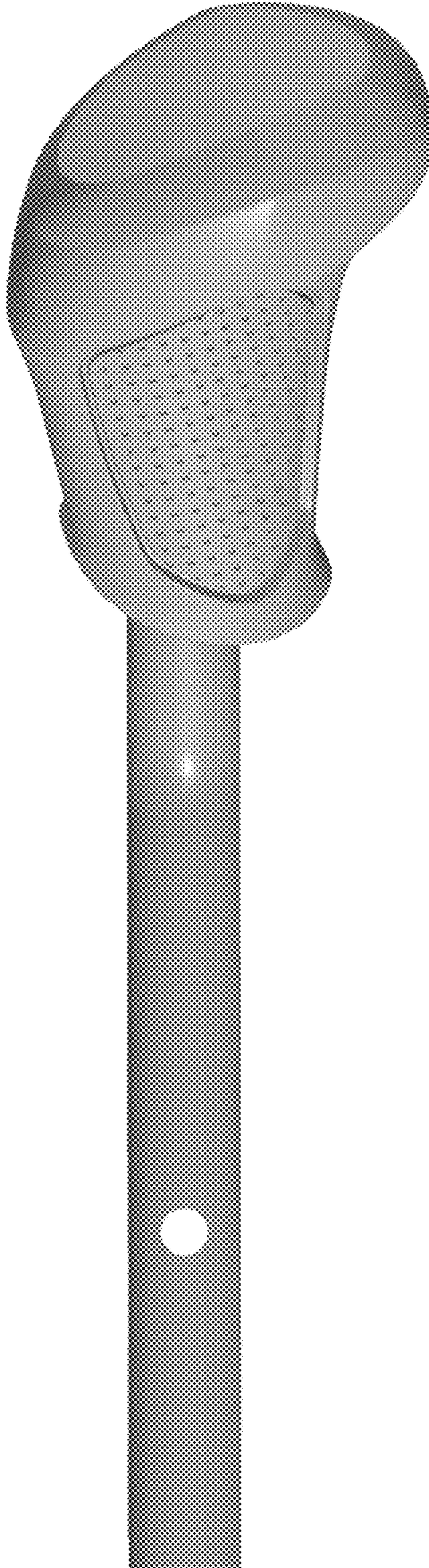


FIG. 2

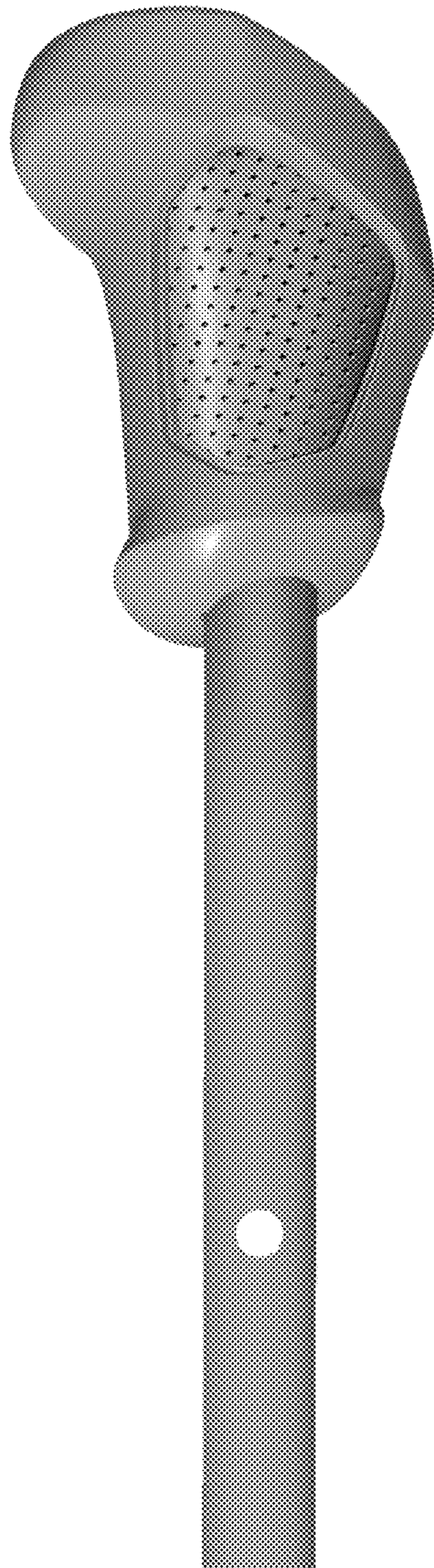
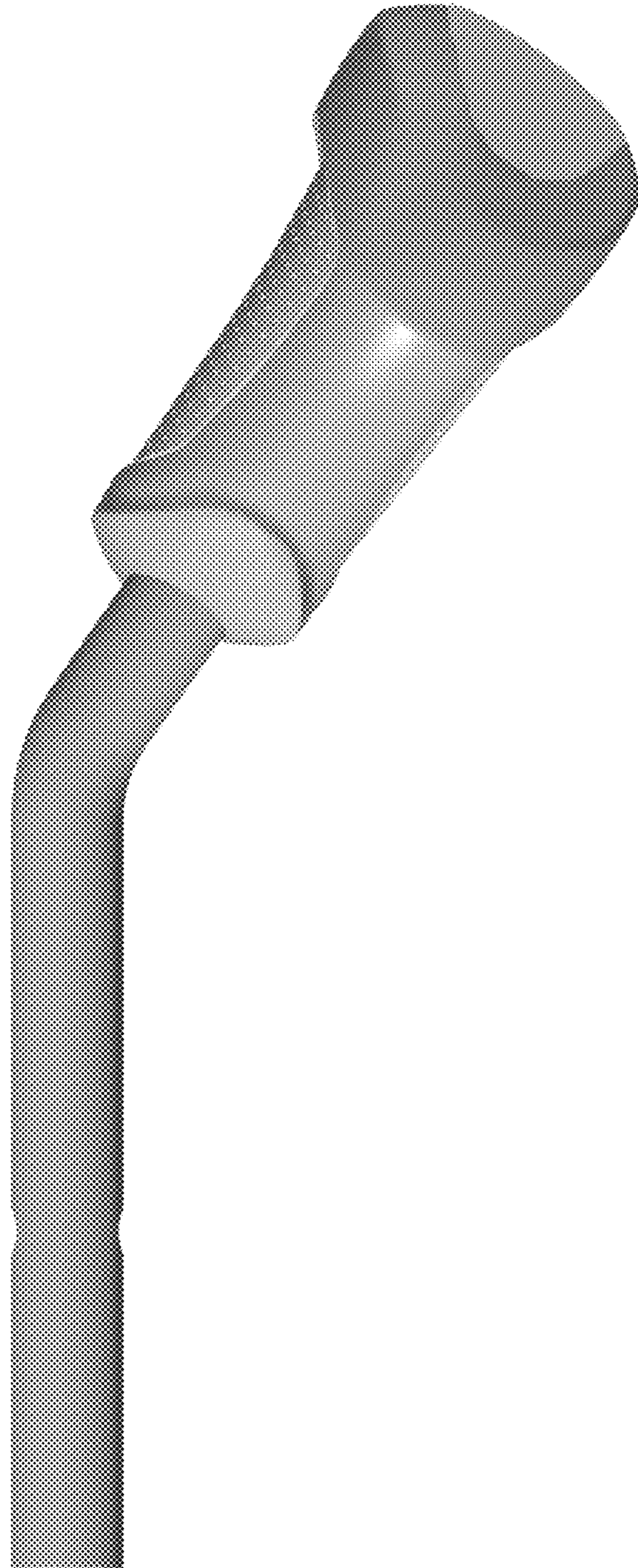
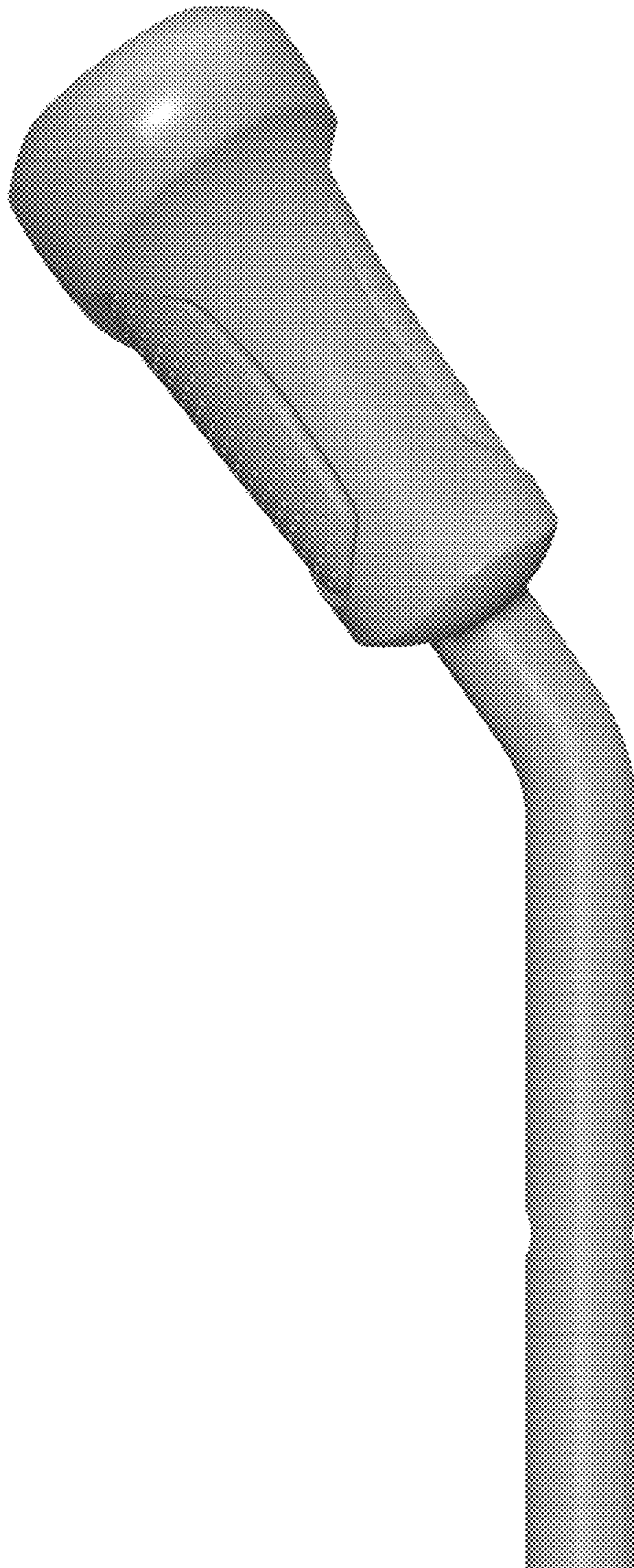


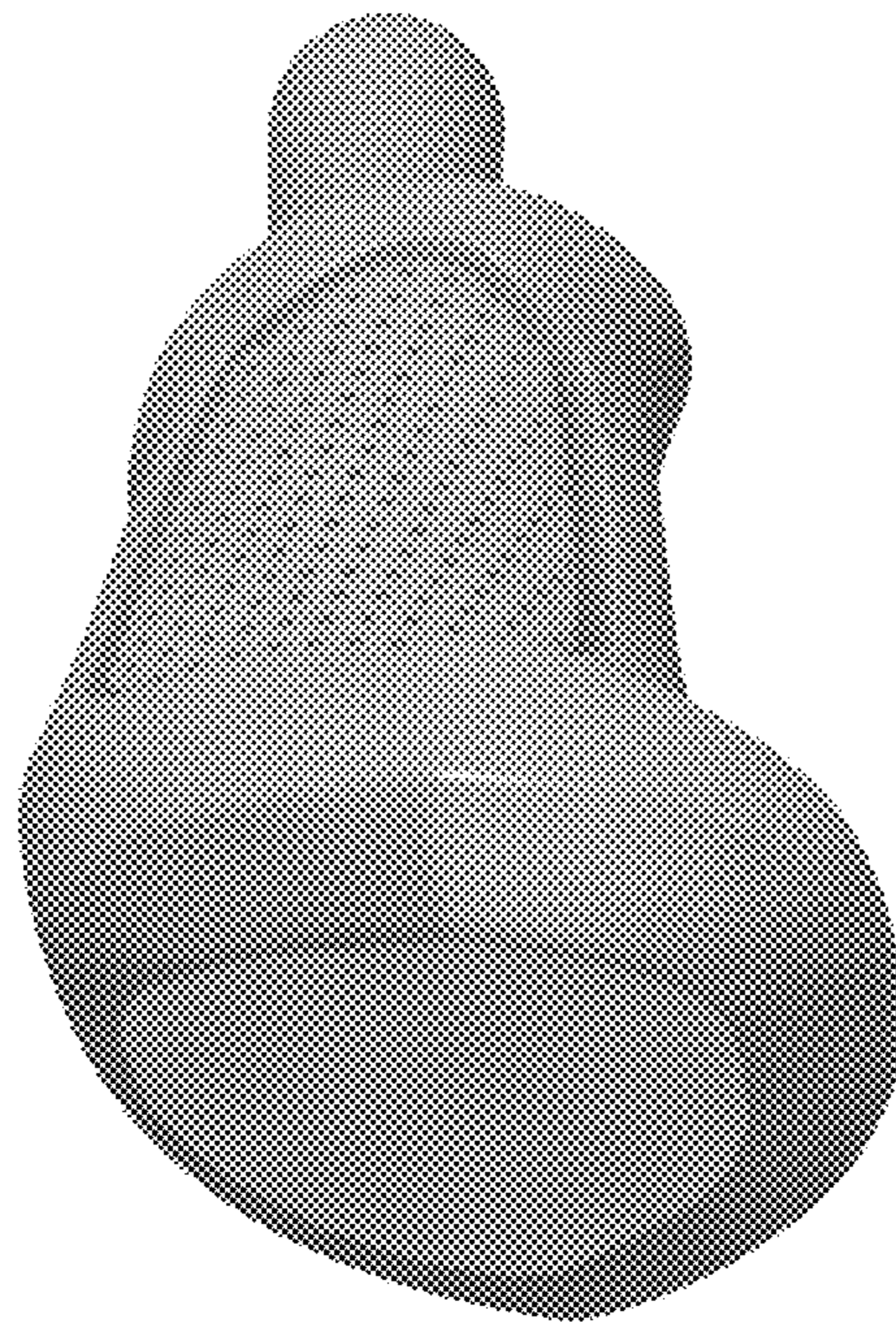
FIG. 3



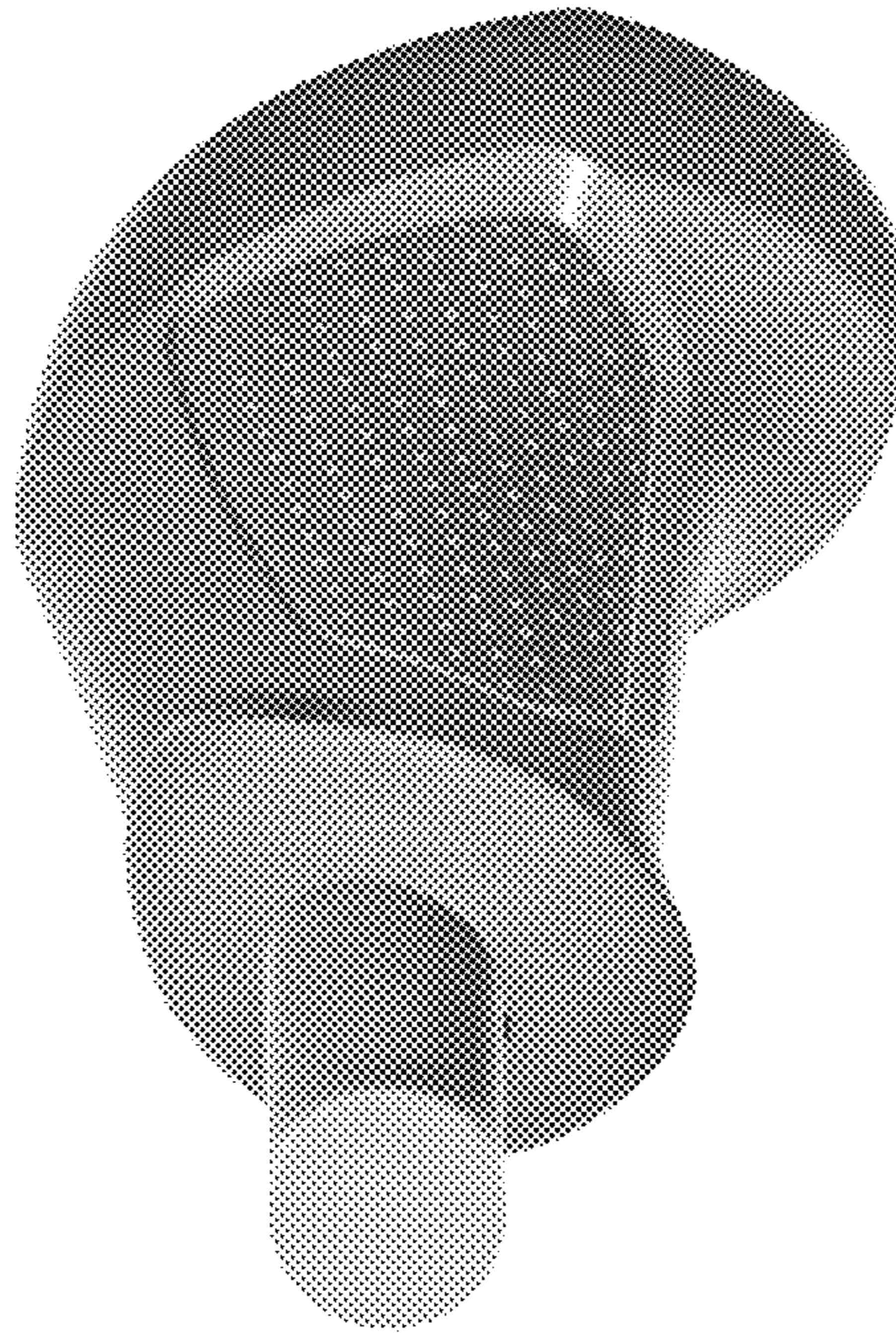
**FIG. 4**



**FIG. 5**



**FIG. 6**



**FIG. 7**

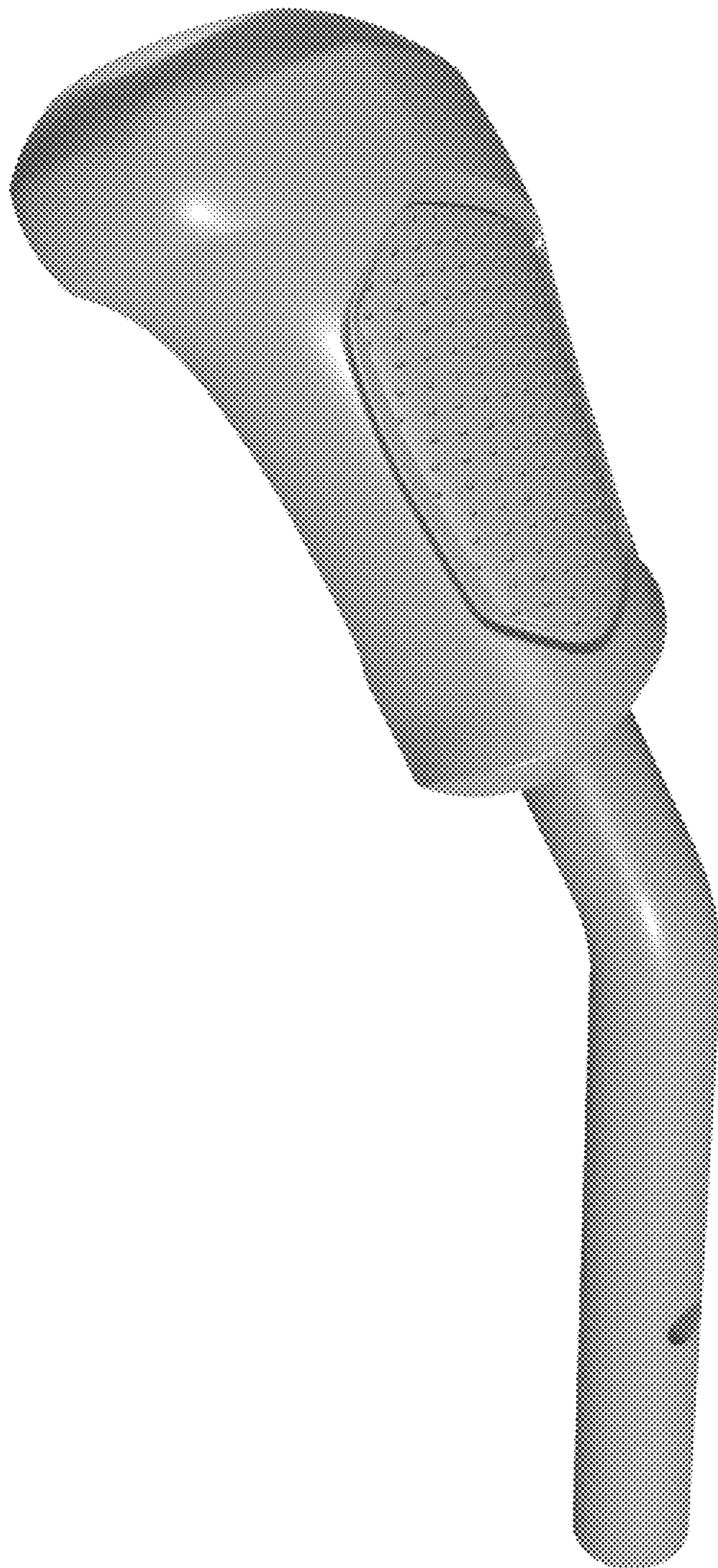




FIG. 8

