



US00D784782S

(12) **United States Design Patent** (10) **Patent No.:** **US D784,782 S**  
**Fahrner et al.** (45) **Date of Patent:** **\*\* Apr. 25, 2017**

(54) **GRINDING MACHINE**

(71) Applicants: **Horst Fahrner**, Stuttgart (DE);  
**Heinrich Henssler**, Schwaebisch  
Gmuend (DE); **Martin Schultheiss**,  
Schwaebisch Gmuend (DE)

(72) Inventors: **Horst Fahrner**, Stuttgart (DE);  
**Heinrich Henssler**, Schwaebisch  
Gmuend (DE); **Martin Schultheiss**,  
Schwaebisch Gmuend (DE)

(73) Assignee: **C. & E. Fein GmbH** (DE)

(\*\*) Term: **14 Years**

(21) Appl. No.: **29/514,277**

(22) Filed: **Jan. 9, 2015**

(30) **Foreign Application Priority Data**

Jul. 9, 2014 (EM) ..... 001416085

(51) **LOC (10) Cl.** ..... **08-01**

(52) **U.S. Cl.**  
USPC ..... **D8/62**

(58) **Field of Classification Search**  
USPC ..... D7/372, 646, 401.2; D8/61, 62, 67, 69  
CPC ..... B24B 7/186; B24B 23/028; B24B 47/12;  
B25F 5/001; B25F 5/02  
See application file for complete search history.

(56) **References Cited**

**U.S. PATENT DOCUMENTS**

D328,841 S \* 8/1992 Fushiya ..... D8/62  
D347,153 S \* 5/1994 Uneyama ..... D8/62  
D351,772 S \* 10/1994 Price ..... D8/62  
D389,014 S \* 1/1998 Hasegawa ..... D7/401.2  
D408,244 S \* 4/1999 Price ..... D8/62

D498,653 S \* 11/2004 Wu ..... D8/62  
D511,284 S 11/2005 Henssler et al.  
D559,639 S 1/2008 Henssler et al.  
D567,046 S 4/2008 Henssler et al.  
D582,747 S \* 12/2008 Freeman ..... D8/107  
D583,196 S \* 12/2008 Thompson ..... D7/646  
D587,081 S \* 2/2009 Steinfels ..... D8/62  
D592,026 S \* 5/2009 Okuda ..... D8/62  
D602,756 S 10/2009 Henssler et al.  
D643,700 S 8/2011 Schultheiss et al.  
D653,922 S 2/2012 Henssler et al.  
D694,064 S \* 11/2013 Costa ..... D7/401.2  
D728,337 S 5/2015 Henssler et al.

**FOREIGN PATENT DOCUMENTS**

WO DM37372 8/1996

\* cited by examiner

*Primary Examiner* — Ricky Pham

(74) *Attorney, Agent, or Firm* — St. Onge Steward  
Johnston & Reens, LLC

(57) **CLAIM**

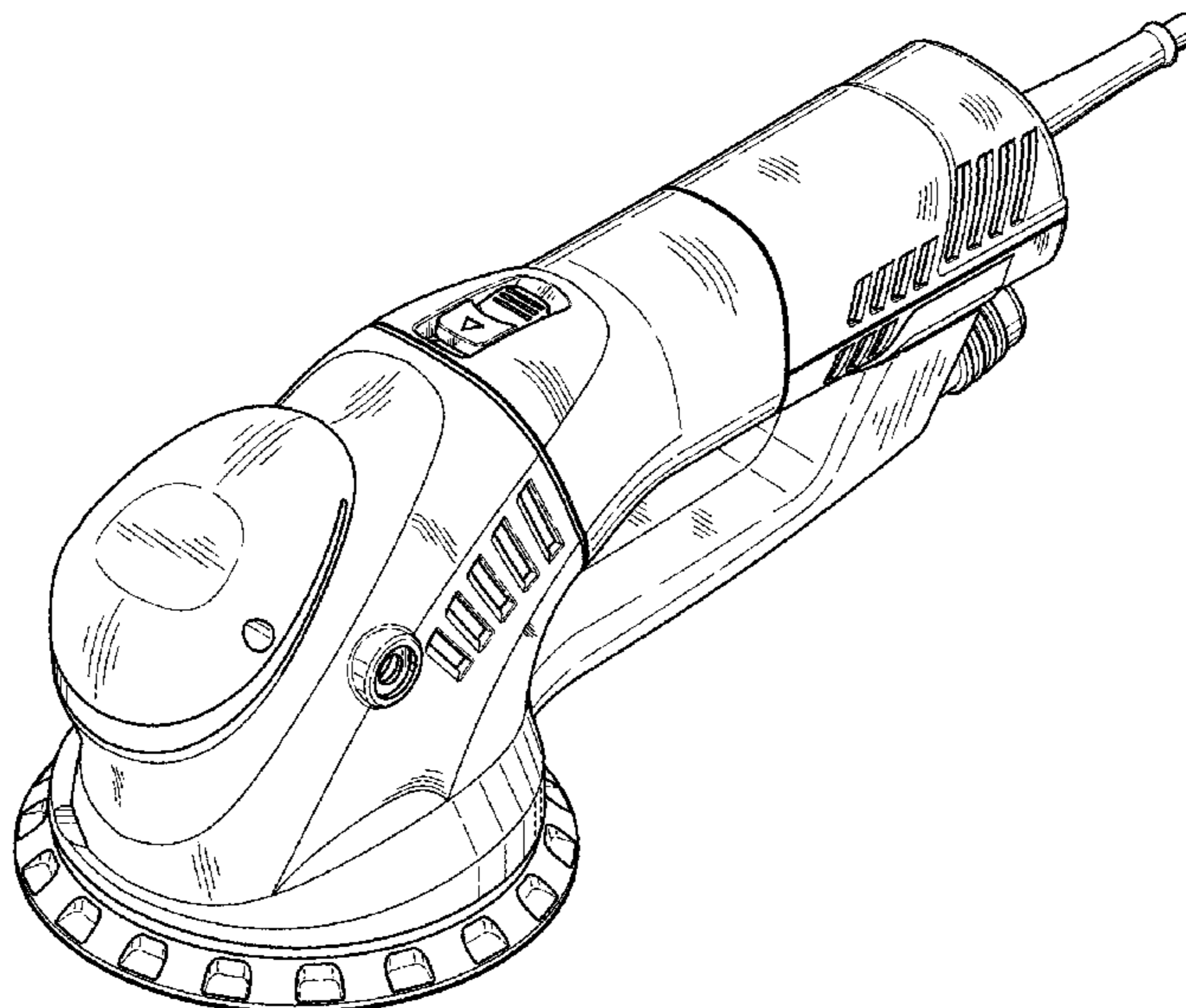
The ornamental design for a grinding machine, as shown and described.

**DESCRIPTION**

FIG. 1 is a front left side isometric view of a grinding machine in accordance with the new design; FIG. 2 is a left side elevational view thereof; FIG. 3 is a right side elevational view thereof; FIG. 4 is a top plan view thereof; FIG. 5 is a bottom plan view thereof; FIG. 6 is a rear elevational view thereof; and, FIG. 7 is a front elevational view thereof.

The broken lines showing in FIGS. 5 and 6 are for illustration purposes only and form no part of the claimed design.

**1 Claim, 7 Drawing Sheets**



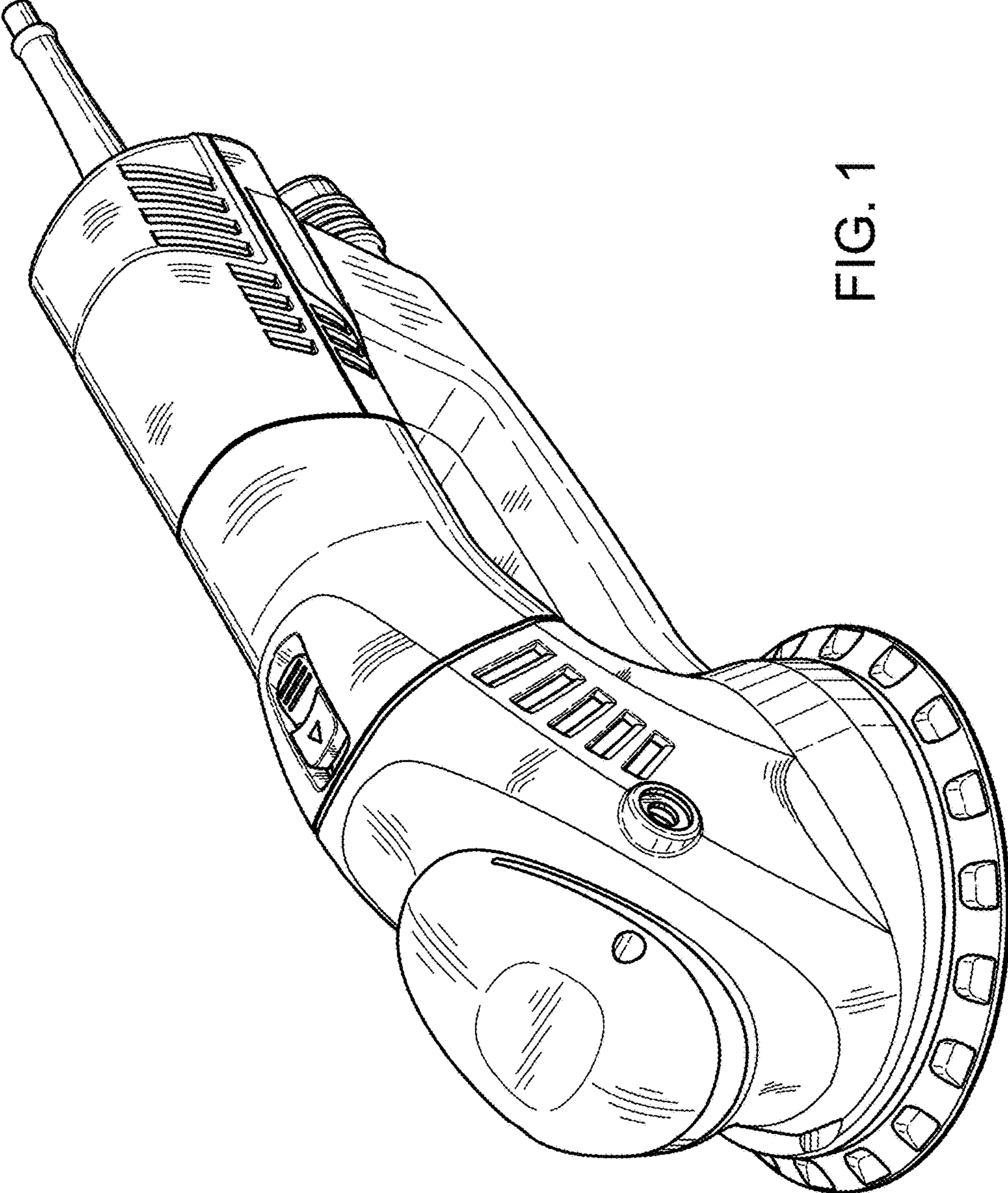


FIG. 1

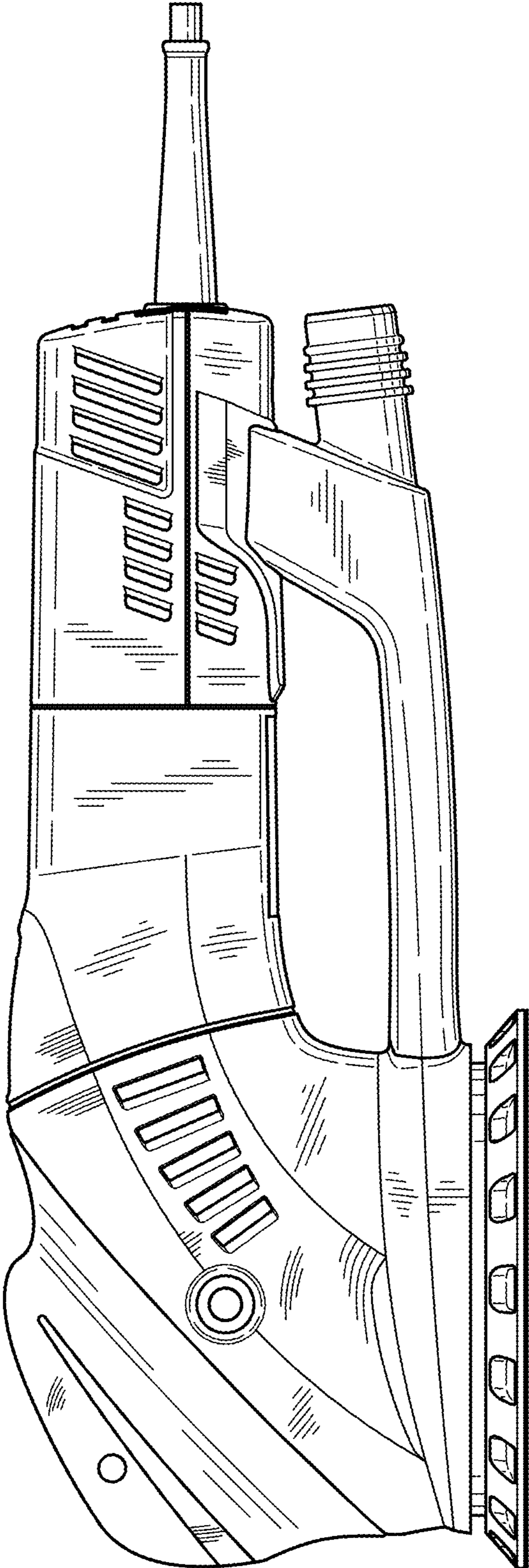


FIG. 2



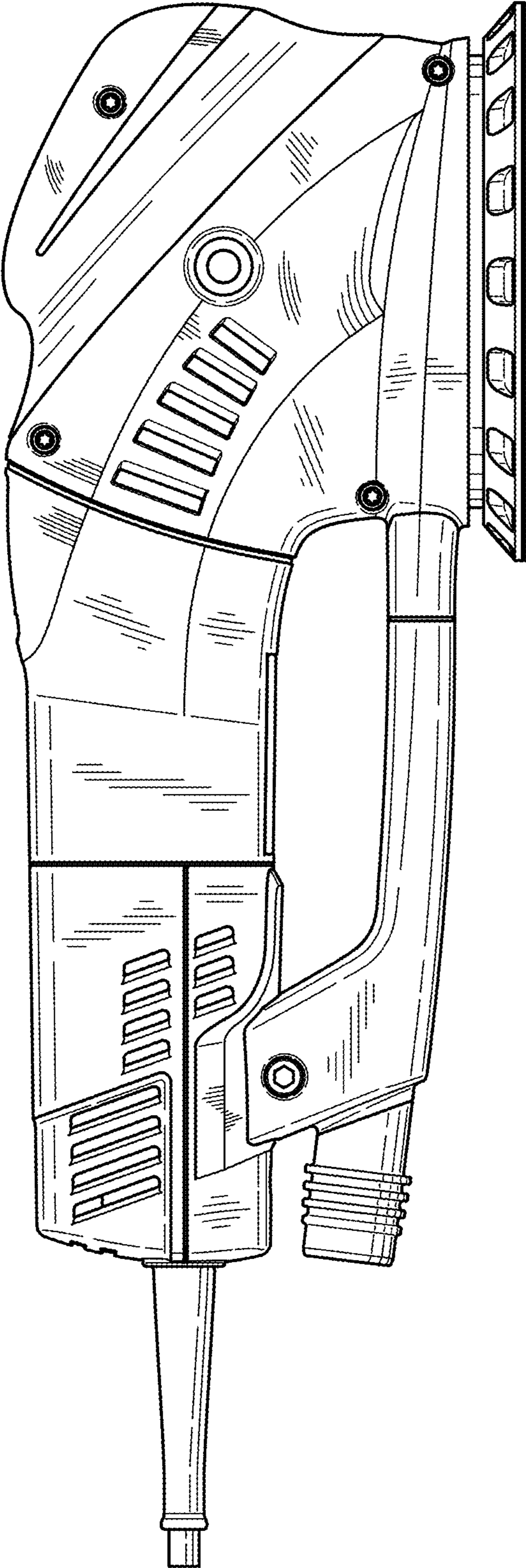


FIG. 3

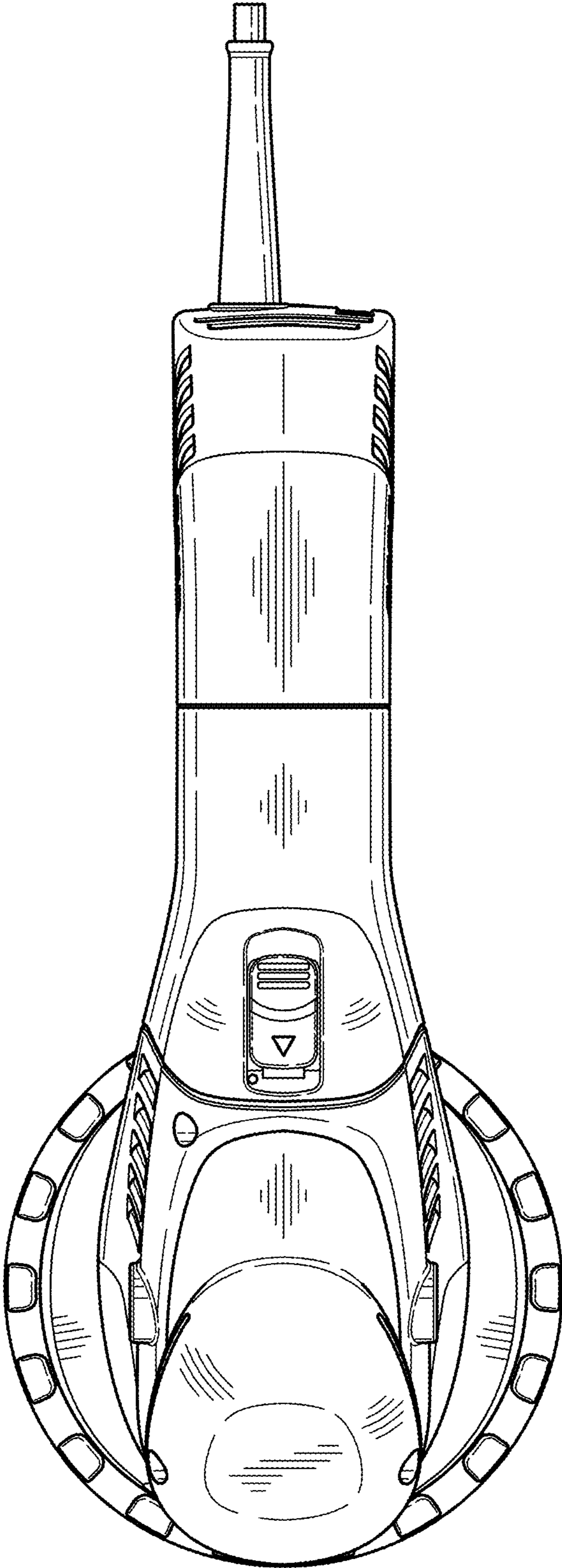


FIG. 4

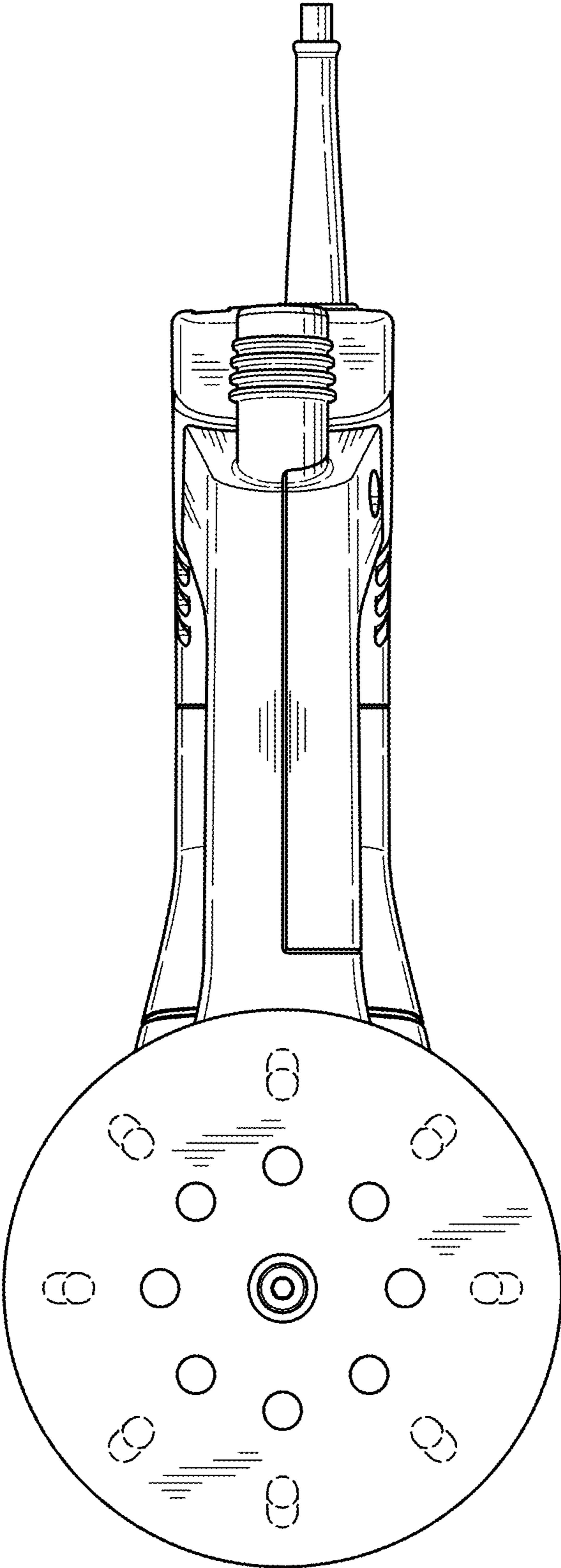


FIG. 5

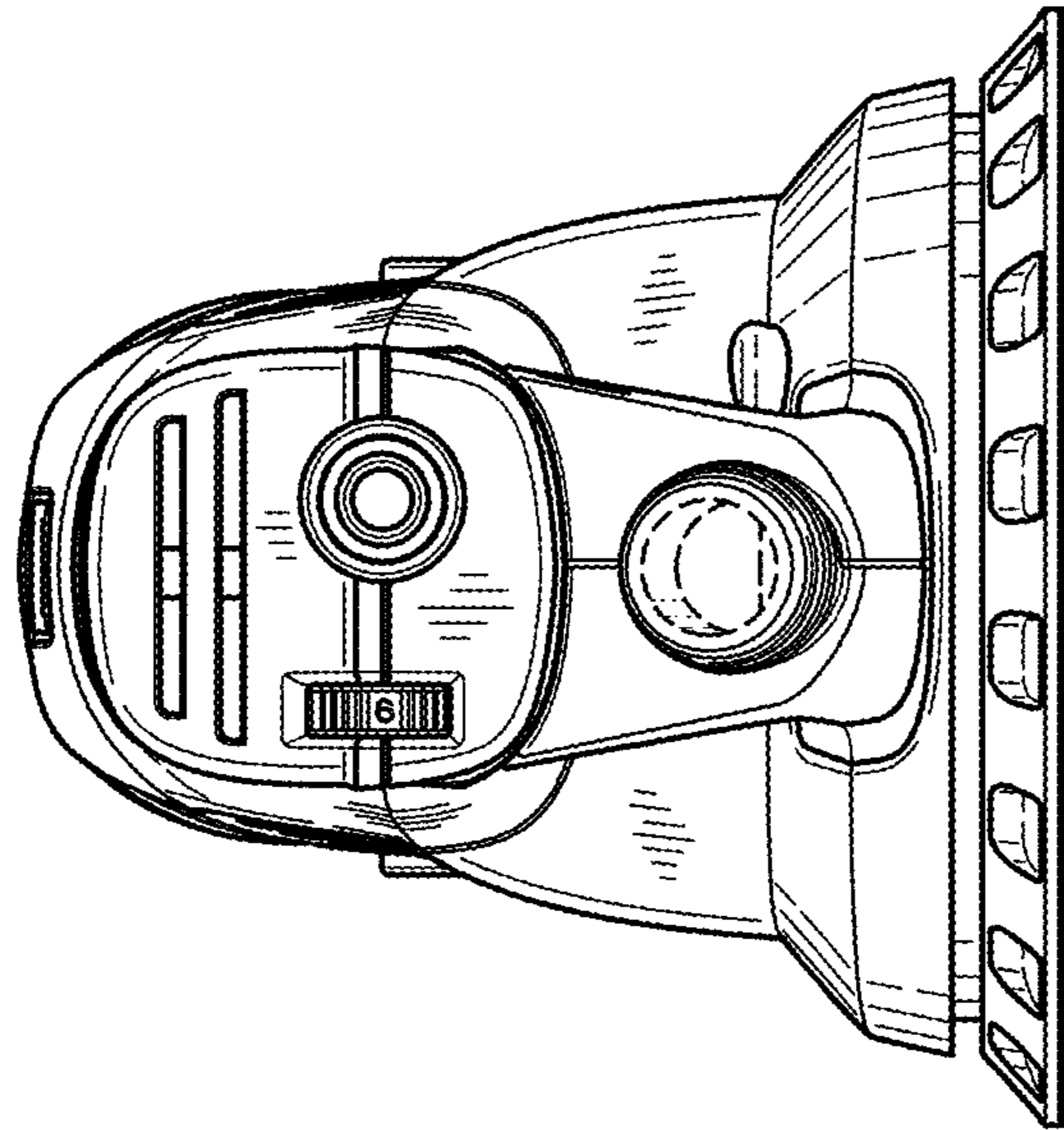


FIG. 6

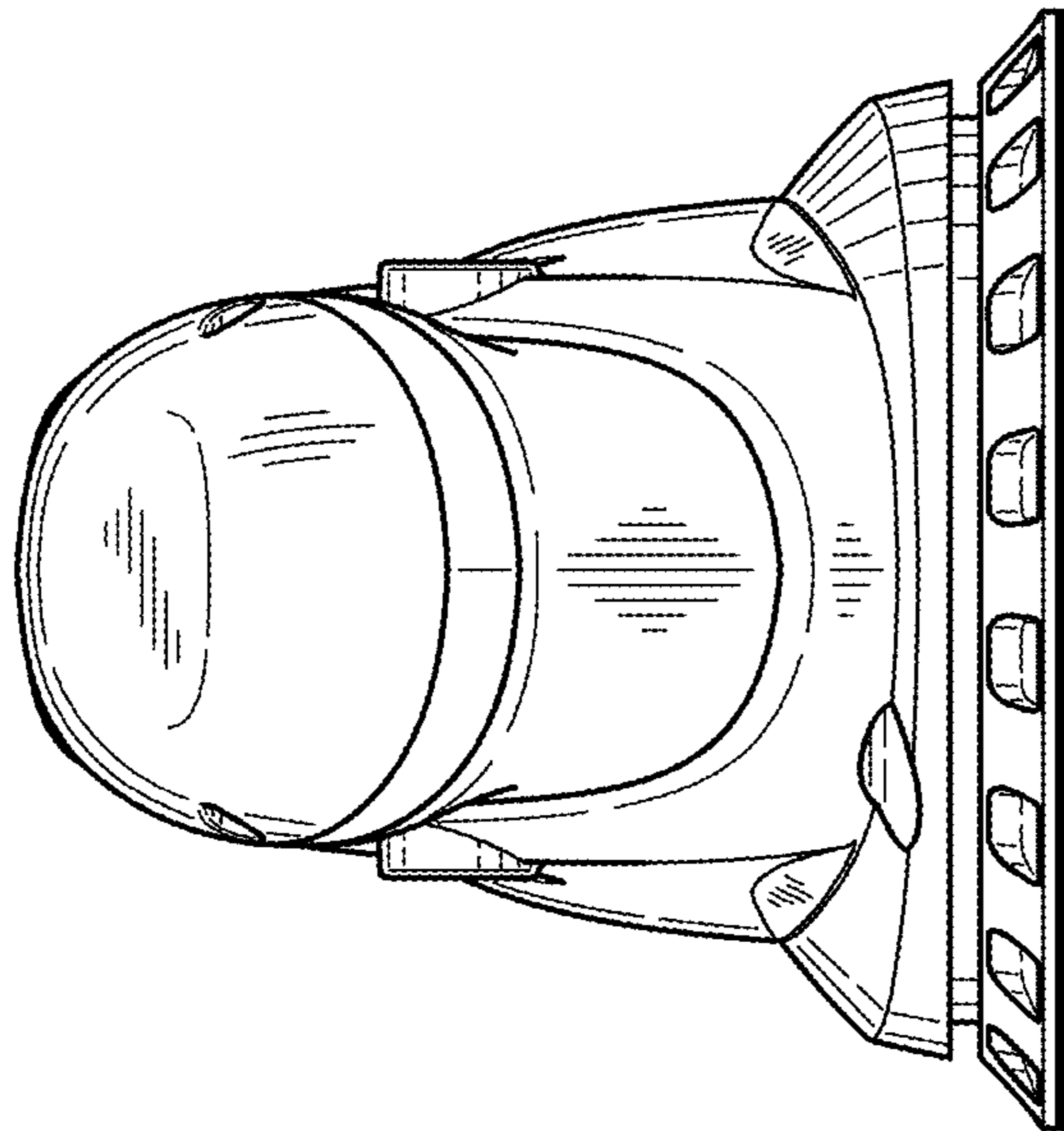


FIG. 7