



US00D784776S

(12) **United States Design Patent**
Kassouni

(10) **Patent No.:** **US D784,776 S**
(45) **Date of Patent:** **** Apr. 25, 2017**

(54) **CONTAINER**

(71) Applicant: **Van M. Kassouni**, Belding, MI (US)

(72) Inventor: **Van M. Kassouni**, Belding, MI (US)

(**) Term: **15 Years**

(21) Appl. No.: **29/548,125**

(22) Filed: **Dec. 10, 2015**

(51) **LOC (10) Cl.** **07-01**

(52) **U.S. Cl.**
USPC **D7/629**

(58) **Field of Classification Search**

USPC D7/629, 584, 543-548, 360, 565, 566,
D7/601-602, 500, 510, 511, 523, 524,
D7/526, 527, 528, 530-532, 538-542,
D7/568, 586, 587, 608, 354-358, 691,
D7/570-575, 323, 392.1, 364, 396.5;
D9/452, 414-432, 748-762, 449, 456,
D9/443; 220/281, 352, 356, 793, 805,
220/608, 912, 657, 659, 574, 374, 23.86,
220/592.2, 287, 556, 350;
206/484-484.2, 518, 557, 459.1, 524.3,
206/509, 503, 508
CPC B65D 21/0219; B65D 2543/00092; B65D
2543/00351; B65D 2543/00842; B65D
2543/005555; B65D 2543/00685; B65D
2543/00796; B65D 21/0222; B65D
47/122; B65D 2543/00101; A47G
19/2261

See application file for complete search history.

(56) **References Cited**

U.S. PATENT DOCUMENTS

D269,361 S 6/1983 Marschak
D280,964 S 10/1985 Wolff
D326,391 S 5/1992 Verchere
5,165,563 A 11/1992 McKendry
D334,499 S 4/1993 Meisner et al.

D351,791 S 10/1994 Morris, Sr.
D351,969 S 11/1994 Daenen et al.
D367,609 S 3/1996 Frank et al.
5,655,680 A 8/1997 Asbach et al.
D383,671 S * 9/1997 Phillips D7/629
D392,845 S 3/1998 Lown et al.
D395,204 S 6/1998 Wood
D396,172 S 7/1998 Nask et al.
5,823,345 A 10/1998 Nask et al.
D405,014 S 2/1999 Nask et al.
D407,974 S * 4/1999 Zimmer D9/424
D419,137 S 1/2000 Gaffney et al.
D469,011 S 1/2003 Miller
D469,320 S * 1/2003 Pettaweebuncha D7/629
D511,655 S 11/2005 Kim

(Continued)

Primary Examiner — Ian Simmons

Assistant Examiner — Shannon Morgan

(74) *Attorney, Agent, or Firm* — Gardner, Linn, Burkhardt
& Flory, LLP

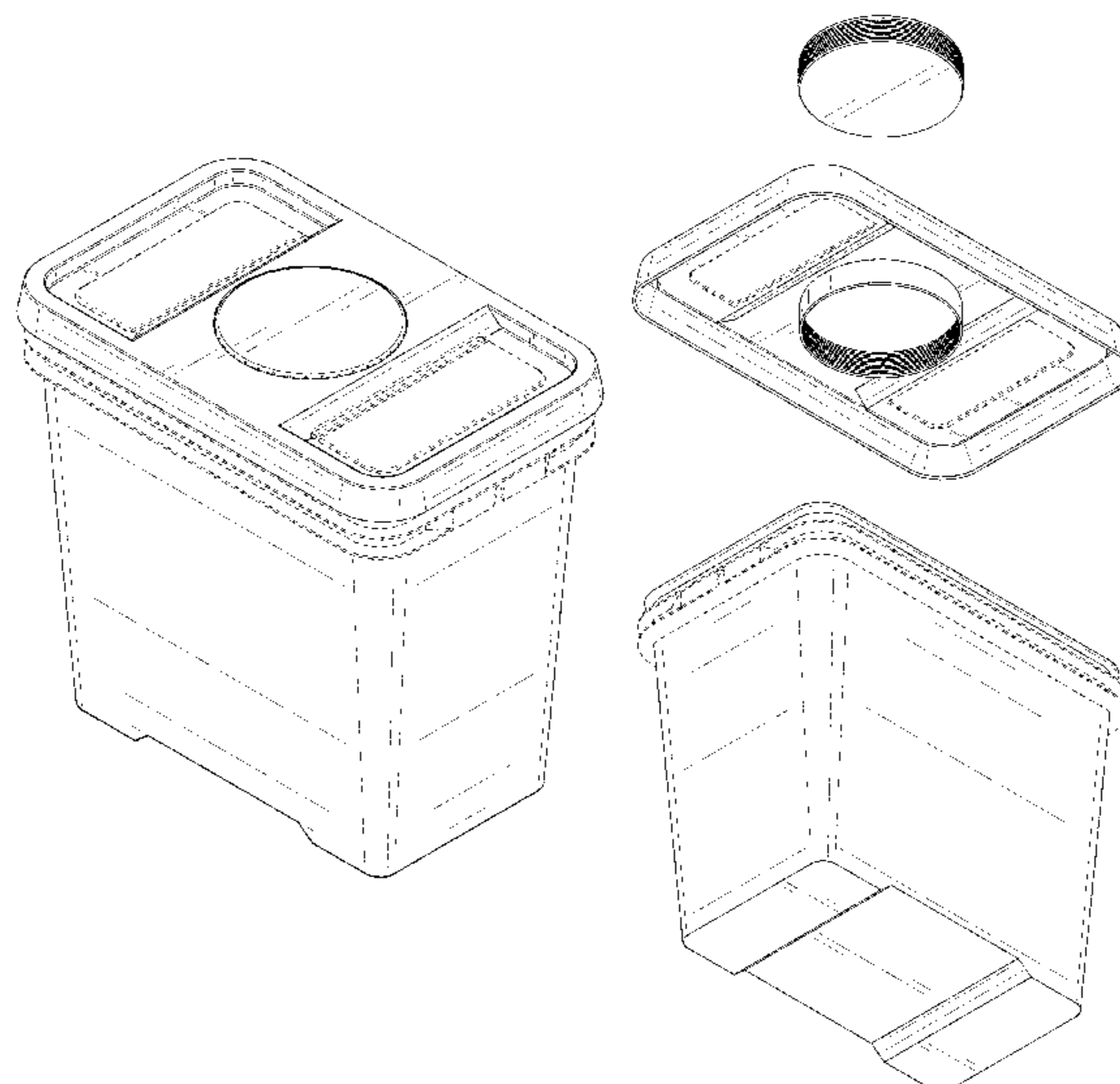
(57) **CLAIM**

The ornamental design for a container, as shown and described.

DESCRIPTION

FIG. 1 is a top perspective view of a container showing my new design;
FIG. 2 is a bottom perspective view thereof;
FIG. 3 is a front elevational view thereof;
FIG. 4 is a rear elevational view thereof;
FIG. 5 is a left elevational view thereof;
FIG. 6 is a right elevational view thereof;
FIG. 7 is a top plan view thereof;
FIG. 8 is a bottom plan view thereof;
FIG. 9 is an exploded top perspective view of the container showing my new design; and,
FIG. 10 is an exploded bottom perspective view of the container showing my new design.
The broken lines shown in FIGS. 1-10 represent portions of the container that form no part of the claimed design.

1 Claim, 9 Drawing Sheets



(56)

References Cited

U.S. PATENT DOCUMENTS

D518,958	S	4/2006	Yourist	
D528,374	S	9/2006	Heiberg	
D530,475	S	10/2006	Lin	
D540,123	S	4/2007	George et al.	
D540,493	S	4/2007	Fick	
D555,982	S	11/2007	Tucker et al.	
D555,983	S	11/2007	Tucker et al.	
D646,156	S *	10/2011	Maxwell-Wood D9/414
D651,528	S	1/2012	Robbins, III et al.	
D653,105	S *	1/2012	Degeyter D9/425
8,215,514	B2	7/2012	Morenstein et al.	
D664,845	S	8/2012	Everson	
D682,045	S	5/2013	Myoung	
D682,047	S	5/2013	Myoung	
8,528,770	B2 *	9/2013	Albrecht B65D 43/0212 220/266
D706,621	S *	6/2014	Tuchrelo D9/425
D707,551	S *	6/2014	Westphal D9/430
D736,570	S	8/2015	Sykes et al.	
D747,933	S *	1/2016	Kassouni D7/629
2006/0027581	A1	2/2006	Vogel	
2006/0169696	A1	8/2006	Taylor	
2009/0166369	A1	7/2009	Savicki	
2010/0059537	A1	3/2010	Stevens	
2011/0180543	A1	7/2011	Rusnak	
2015/0129593	A1	5/2015	Luburic	

* cited by examiner

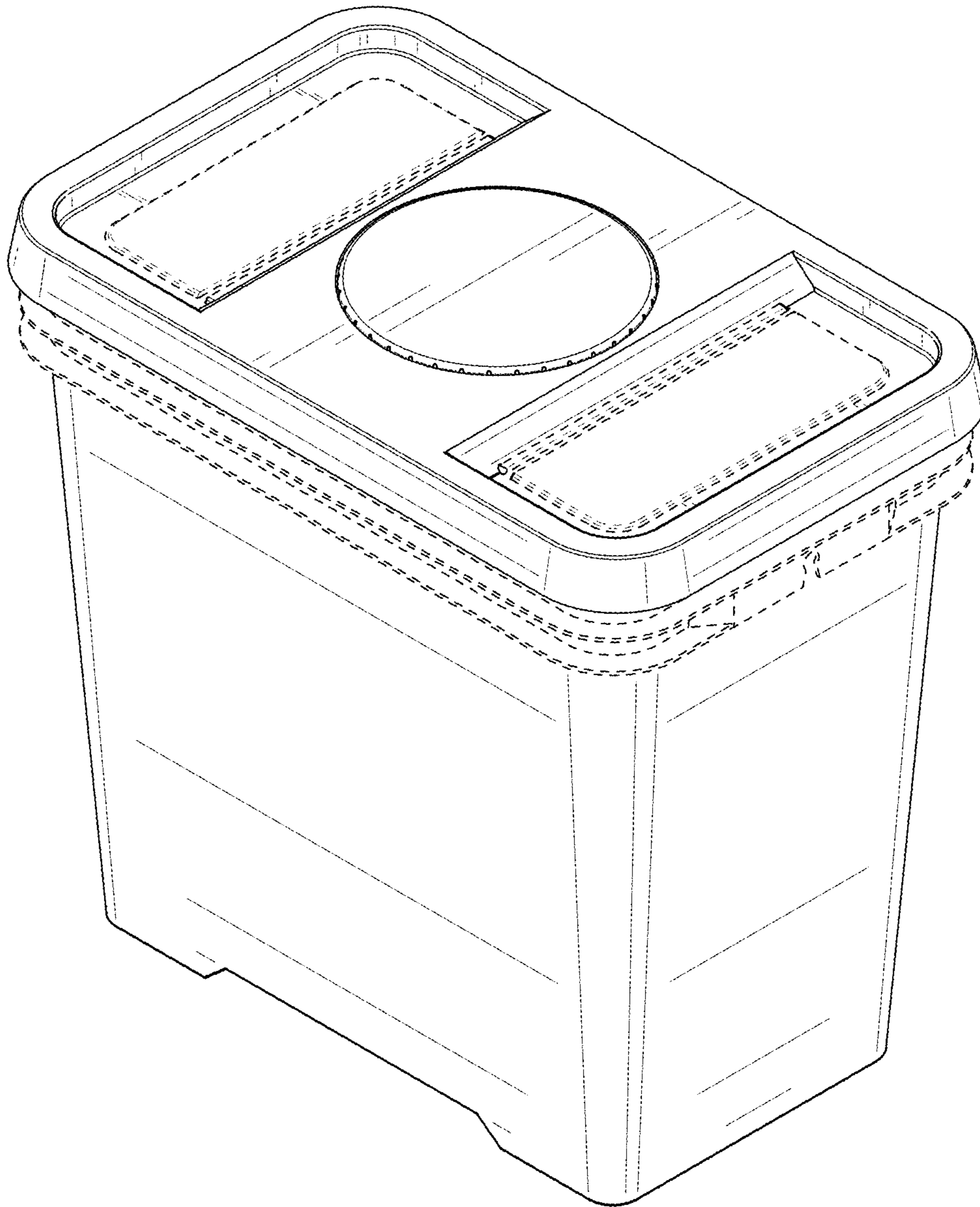


FIG. 1

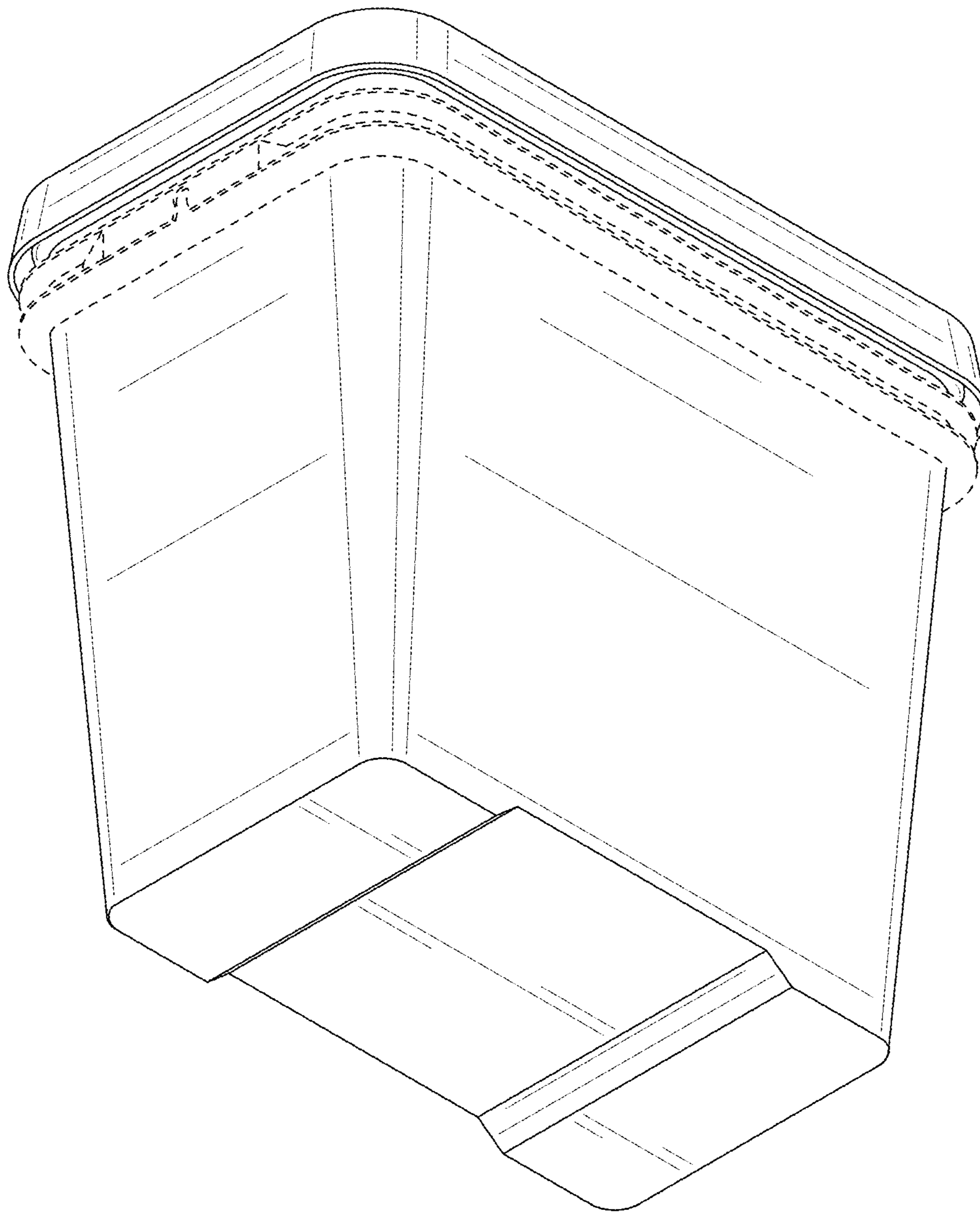


FIG. 2

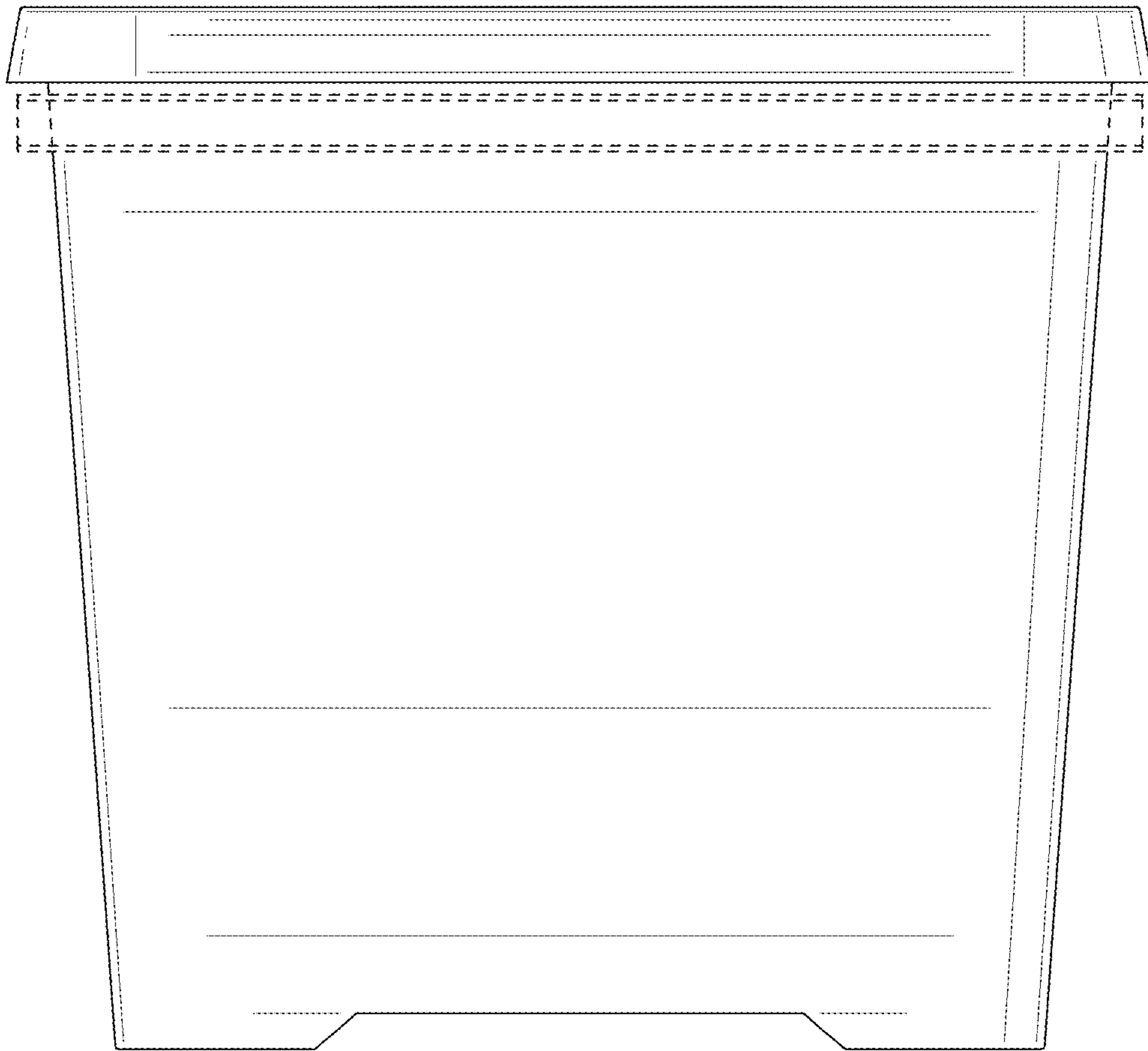


FIG. 3

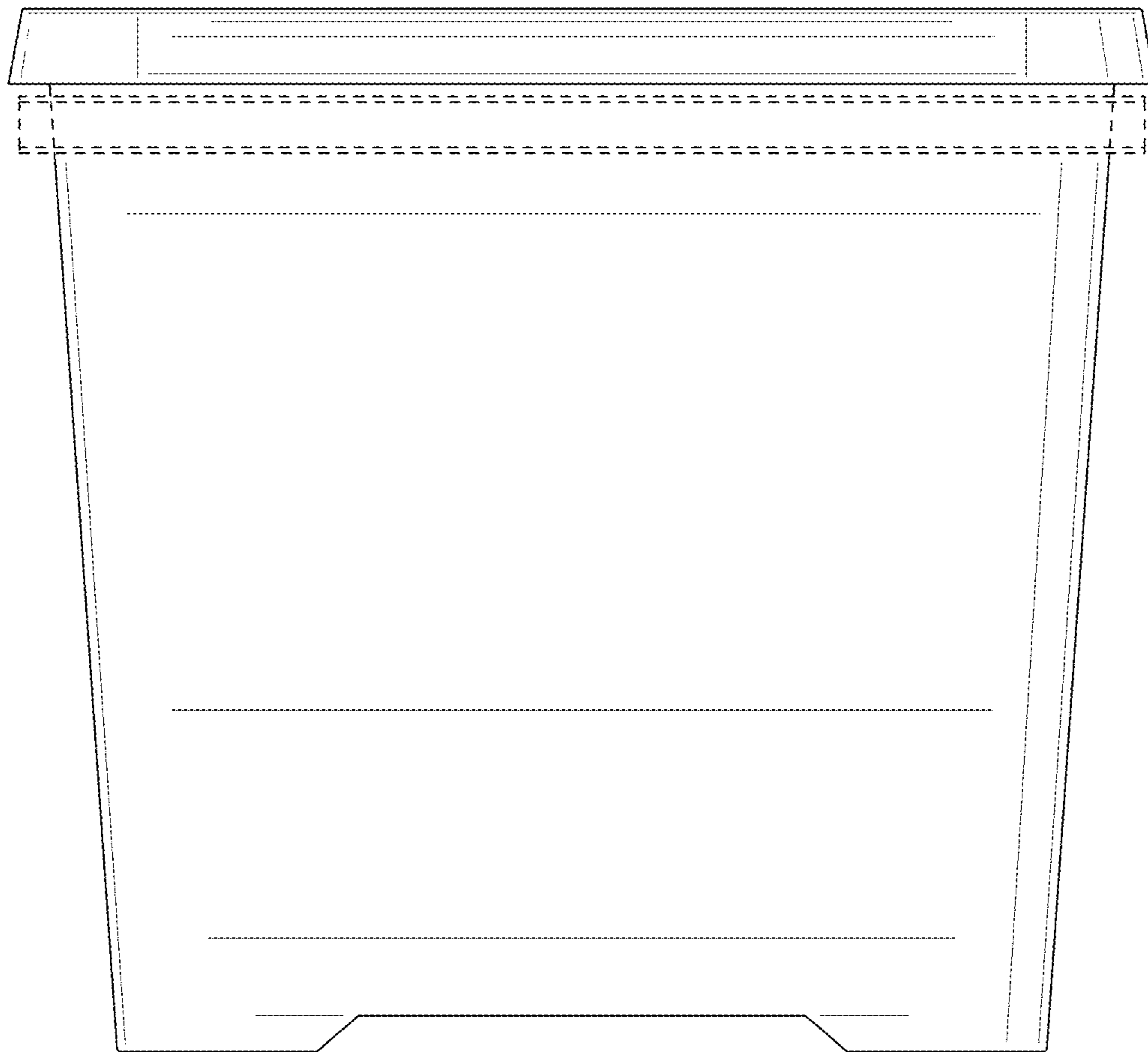


FIG. 4

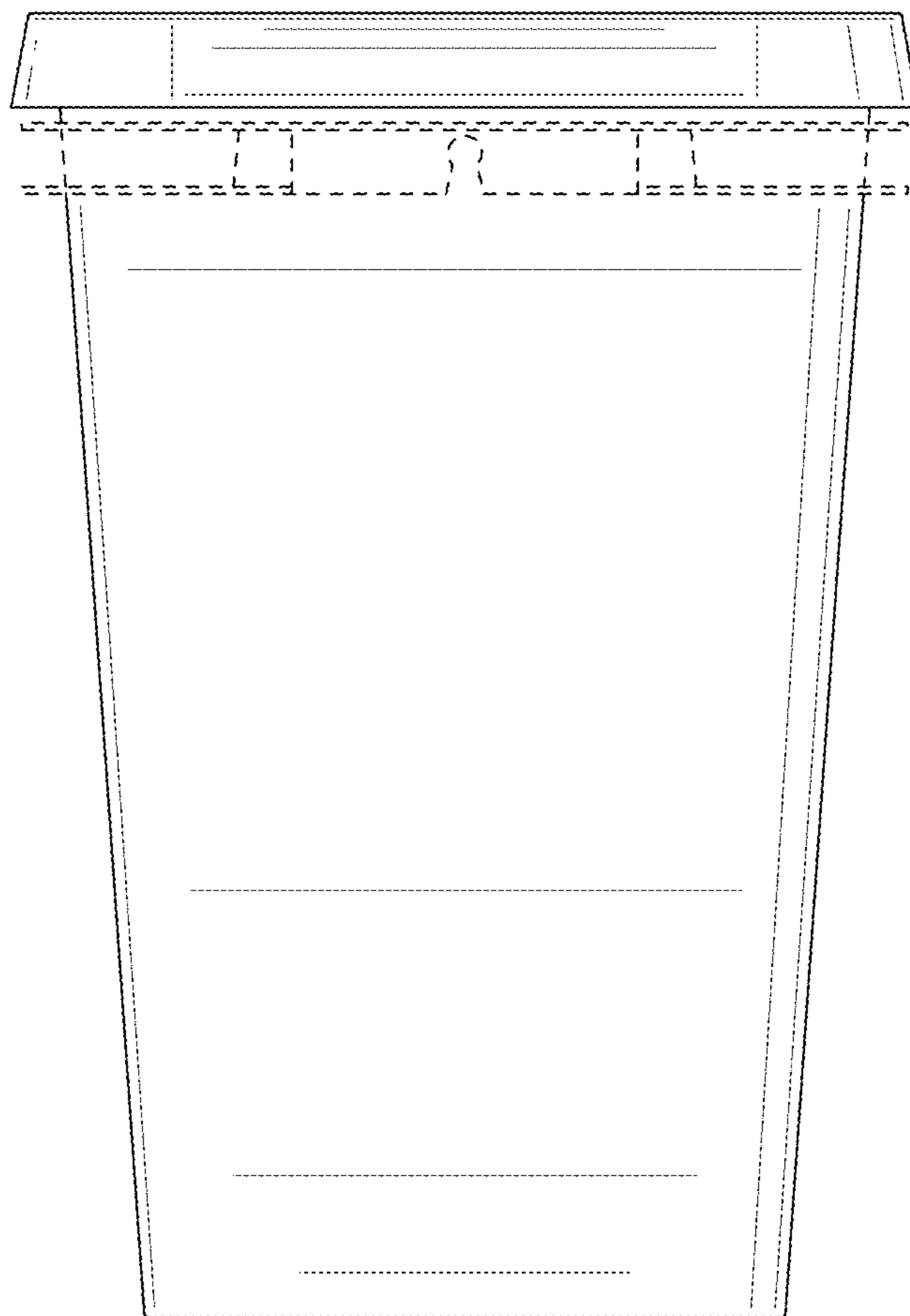


FIG. 5

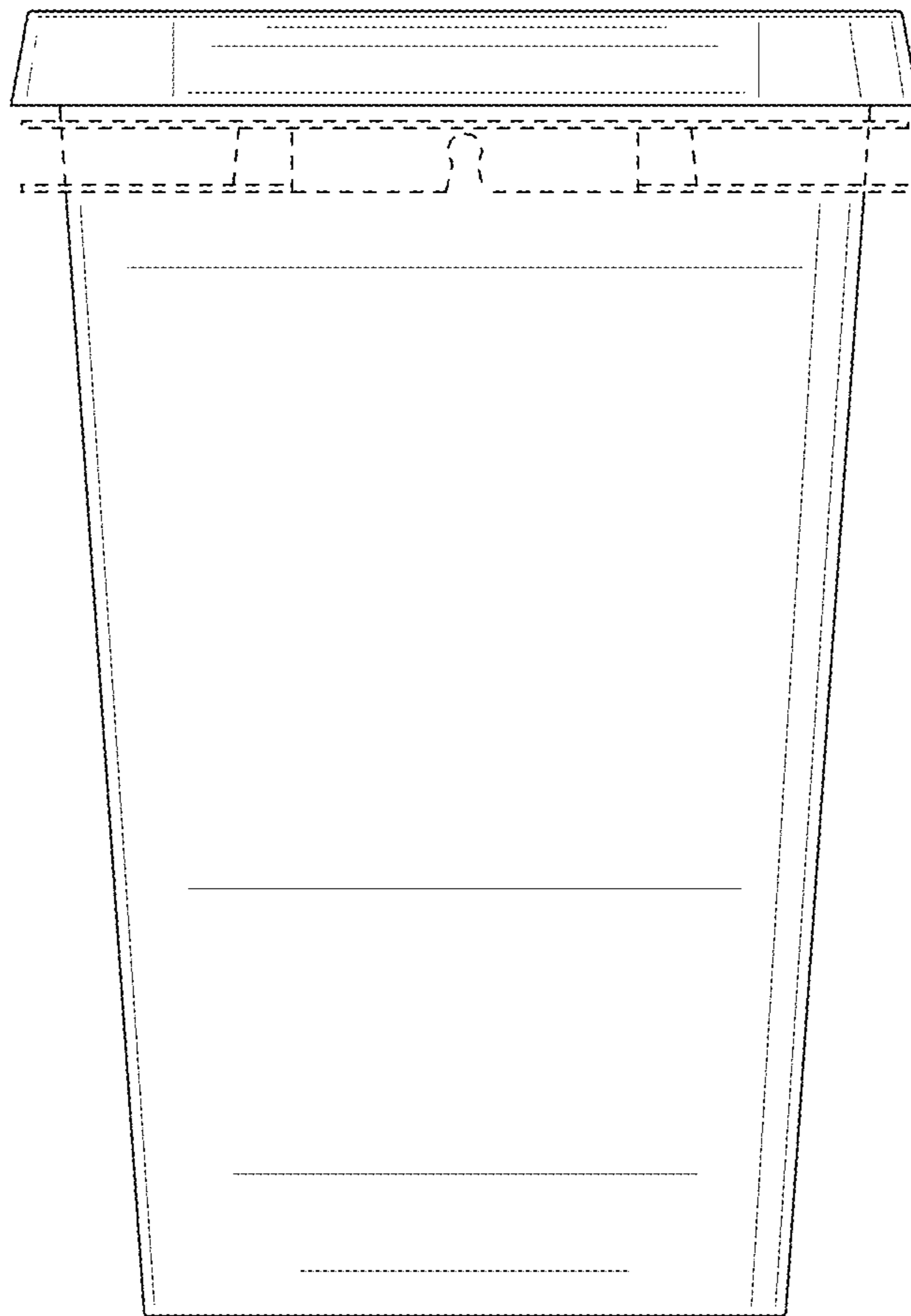


FIG. 6

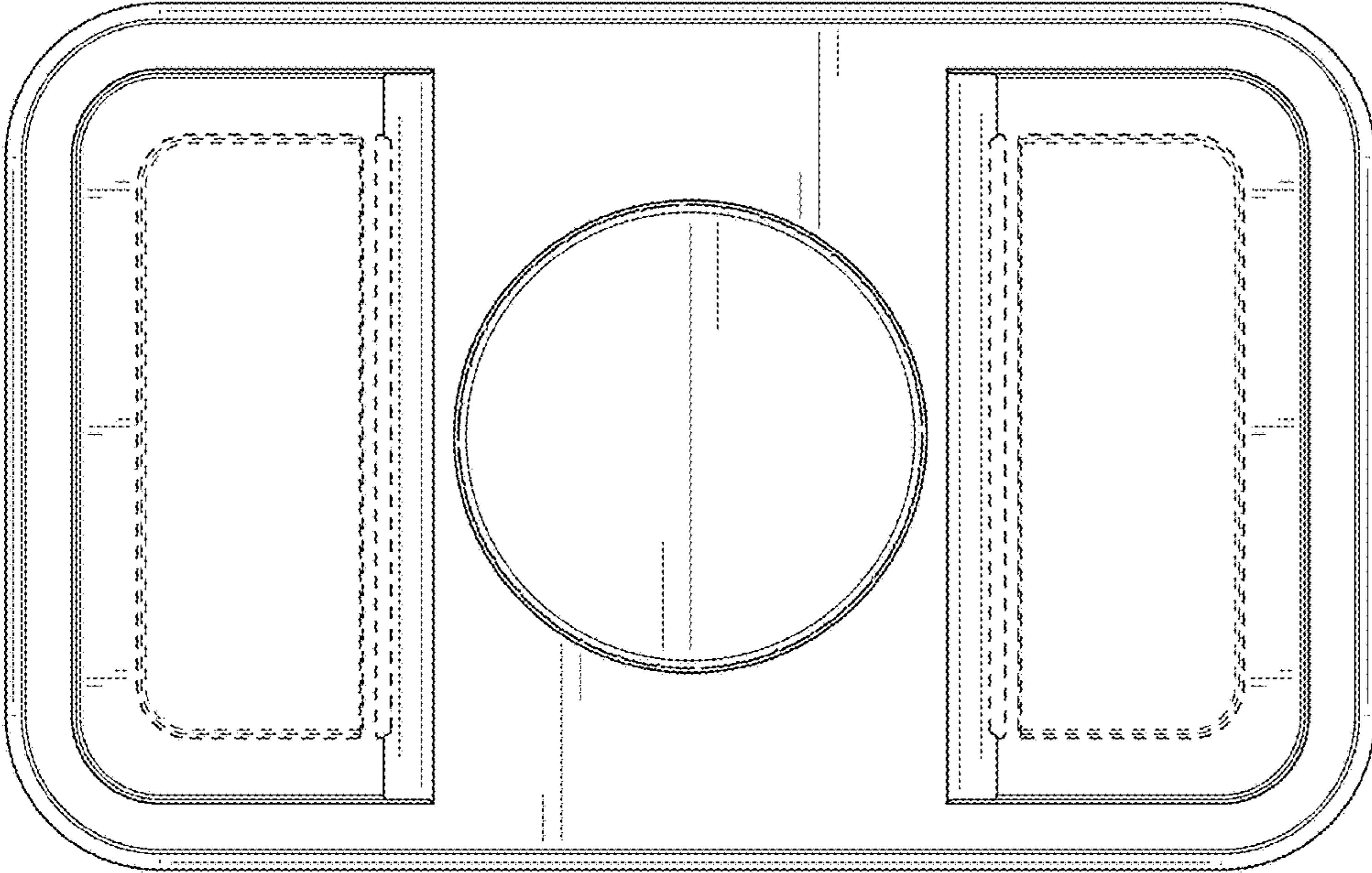


FIG. 7

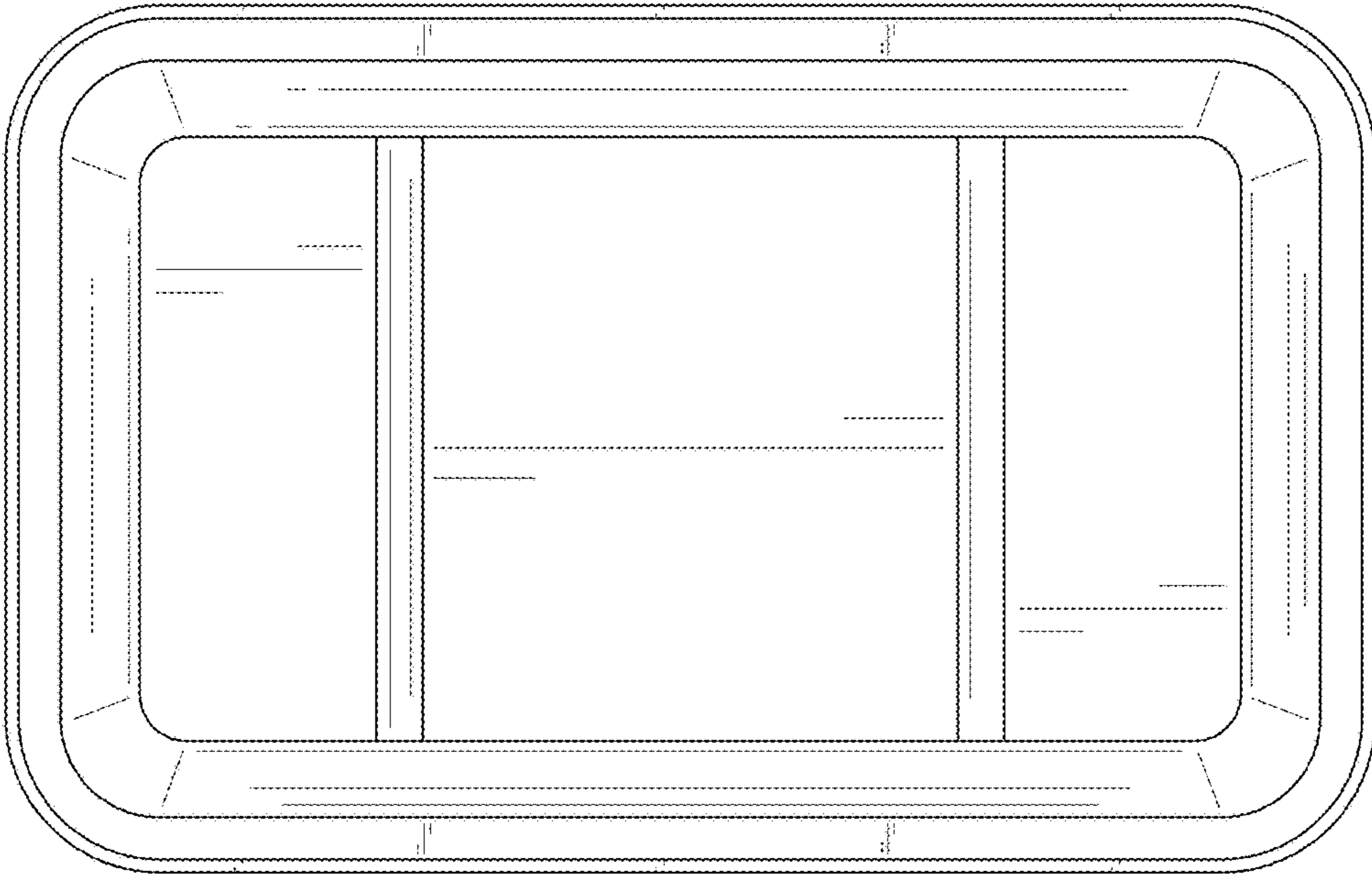


FIG. 8

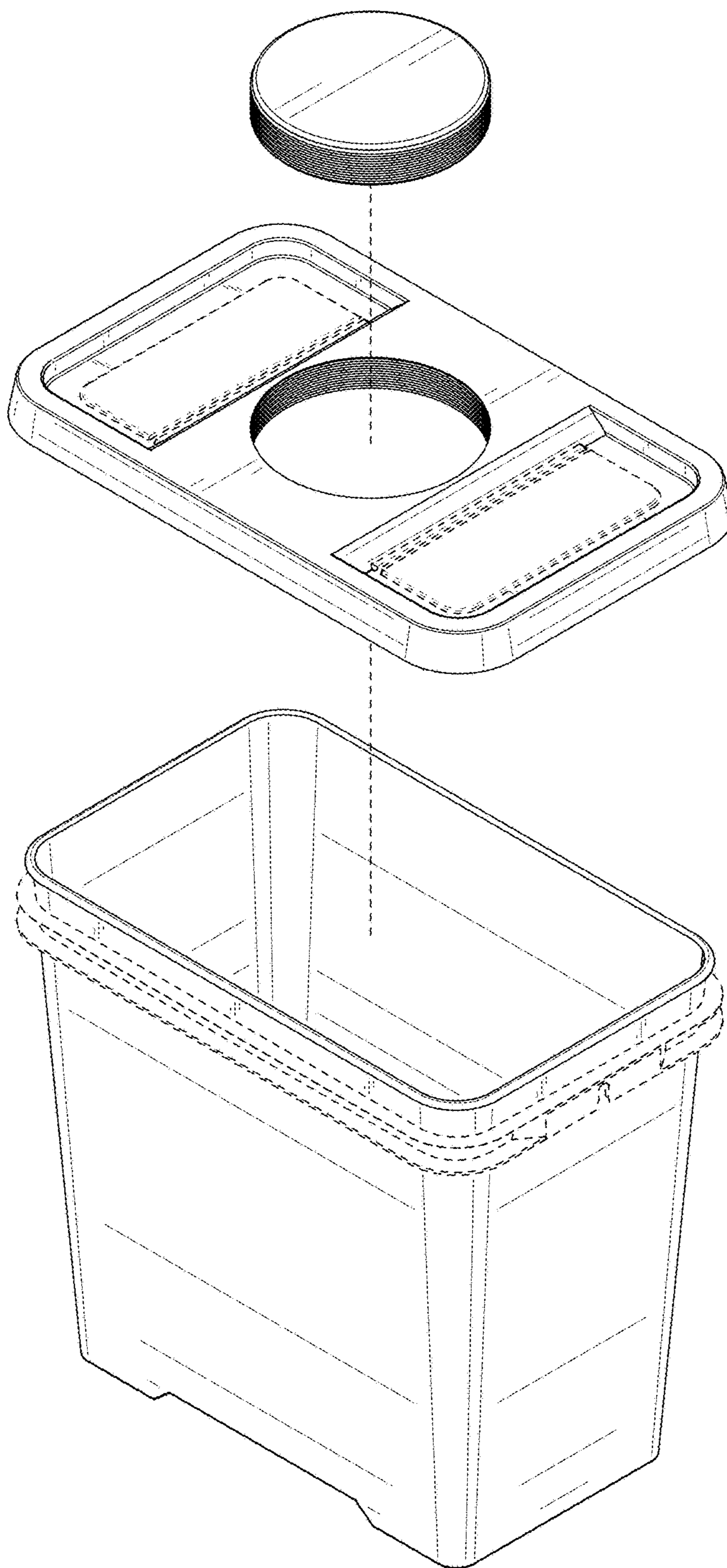


FIG. 9

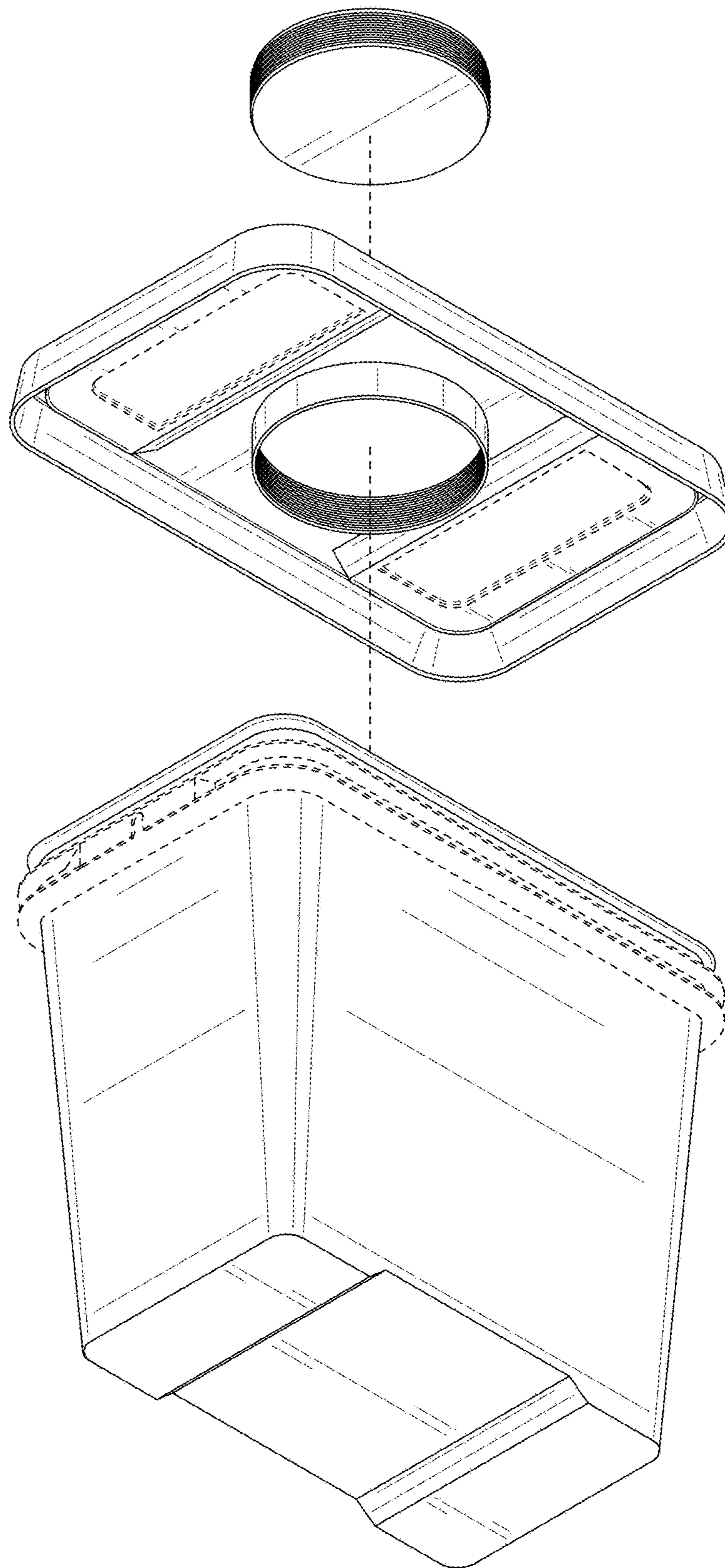


FIG. 10

UNITED STATES PATENT AND TRADEMARK OFFICE
CERTIFICATE OF CORRECTION

PATENT NO. : D784,776 S
APPLICATION NO. : 29/548125
DATED : April 25, 2017
INVENTOR(S) : Van M. Kassouni

Page 1 of 1

It is certified that error appears in the above-identified patent and that said Letters Patent is hereby corrected as shown below:

On the Title Page

Please insert the following section:

--Related U.S. Application Data

(60) Division of application No. 29/468,285, filed on Sep. 27, 2013, now Pat. Des. D747,933--

Signed and Sealed this
Fourth Day of July, 2017



Joseph Matal
*Performing the Functions and Duties of the
Under Secretary of Commerce for Intellectual Property and
Director of the United States Patent and Trademark Office*