



US00D784774S

(12) **United States Design Patent**  
**Lee**

(10) **Patent No.:** **US D784,774 S**  
(45) **Date of Patent:** **\*\* Apr. 25, 2017**

(54) **COOLER**

D580,232 S \* 11/2008 Lee ..... D7/606  
D632,929 S \* 2/2011 Lee ..... D7/606  
D699,080 S \* 2/2014 Lee ..... D7/605

(71) Applicant: **JBL INTERNATIONAL, INC.**,  
Houston, TX (US)

\* cited by examiner

(72) Inventor: **Lawrence K. Lee**, Houston, TX (US)

*Primary Examiner* — Terry Wallace

(73) Assignee: **JBL INTERNATIONAL, INC.**,  
Houston, TX (US)

(74) *Attorney, Agent, or Firm* — Egbert Law Offices,  
PLLC

(\*\*) Term: **15 Years**

(57) **CLAIM**

(21) Appl. No.: **29/547,506**

The ornamental design for a cooler, as shown and described.

(22) Filed: **Dec. 4, 2015**

(51) **LOC (10) Cl.** ..... **07-01**

(52) **U.S. Cl.**

USPC ..... **D7/605**

(58) **Field of Classification Search**

USPC ..... D7/605–607

CPC ..... A47F 3/043; F25D 3/08; F25D 2331/00;  
F25D 2331/80; F25D 2331/804; A47J  
41/208; A47G 19/2288; B65D 81/3823

See application file for complete search history.

**DESCRIPTION**

FIG. 1 is a perspective view of a cooler showing my new design.

FIG. 2 is a front view thereof;

FIG. 3 is a rear view thereof;

FIG. 4 is a side view thereof;

FIG. 5 is an opposite side view thereof;

FIG. 6 is a top view thereof;

FIG. 7 is a bottom view thereof; and,

FIG. 8 is a perspective view of the cooler wherein the lid is open.

The features presented in broken lines are unclaimed portions of the cooler and form no part of the claimed design.

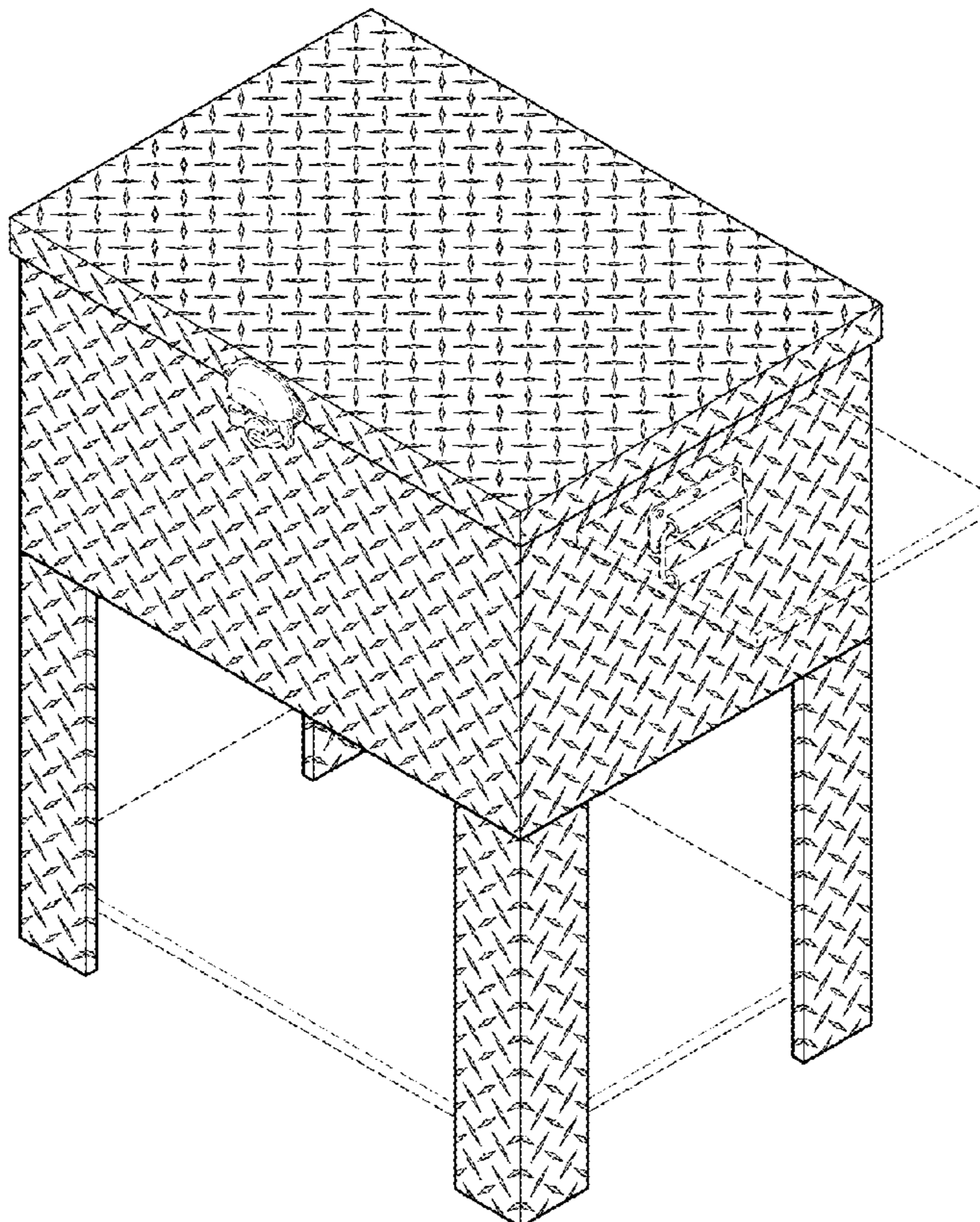
(56) **References Cited**

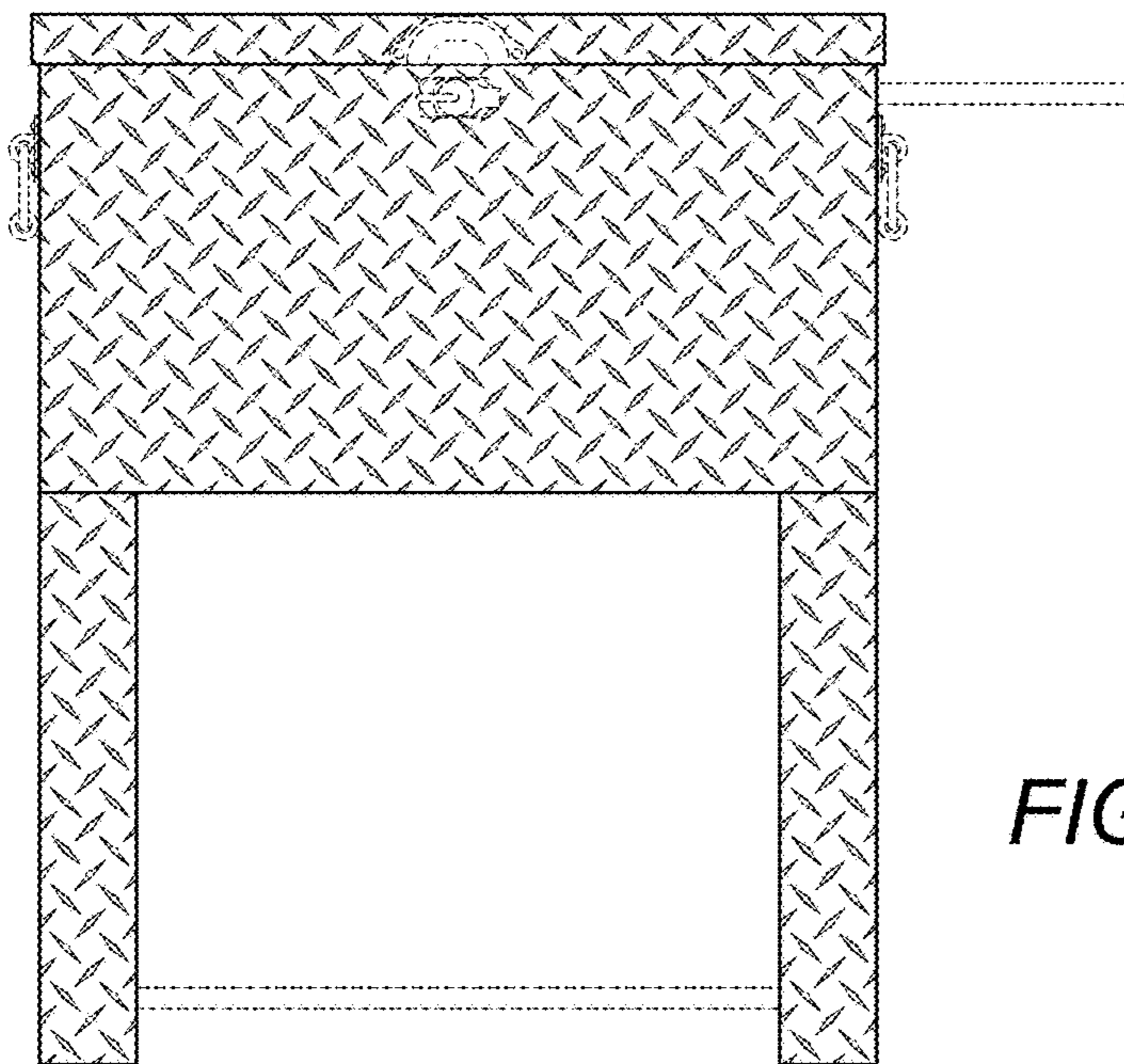
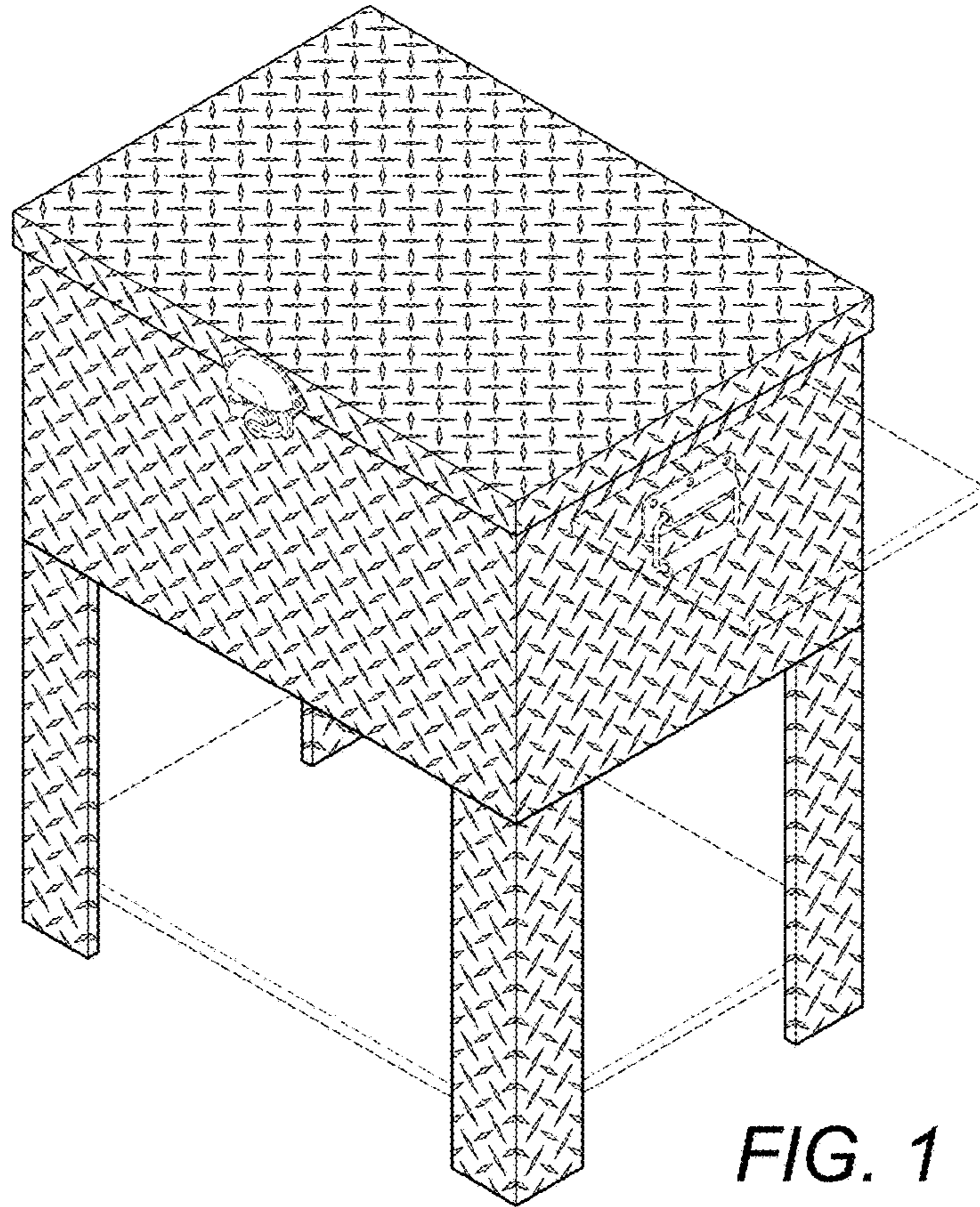
**U.S. PATENT DOCUMENTS**

4,581,902 A \* 4/1986 Starck ..... A45C 9/00  
190/11

D570,161 S \* 6/2008 Giovino ..... D7/605

**1 Claim, 4 Drawing Sheets**







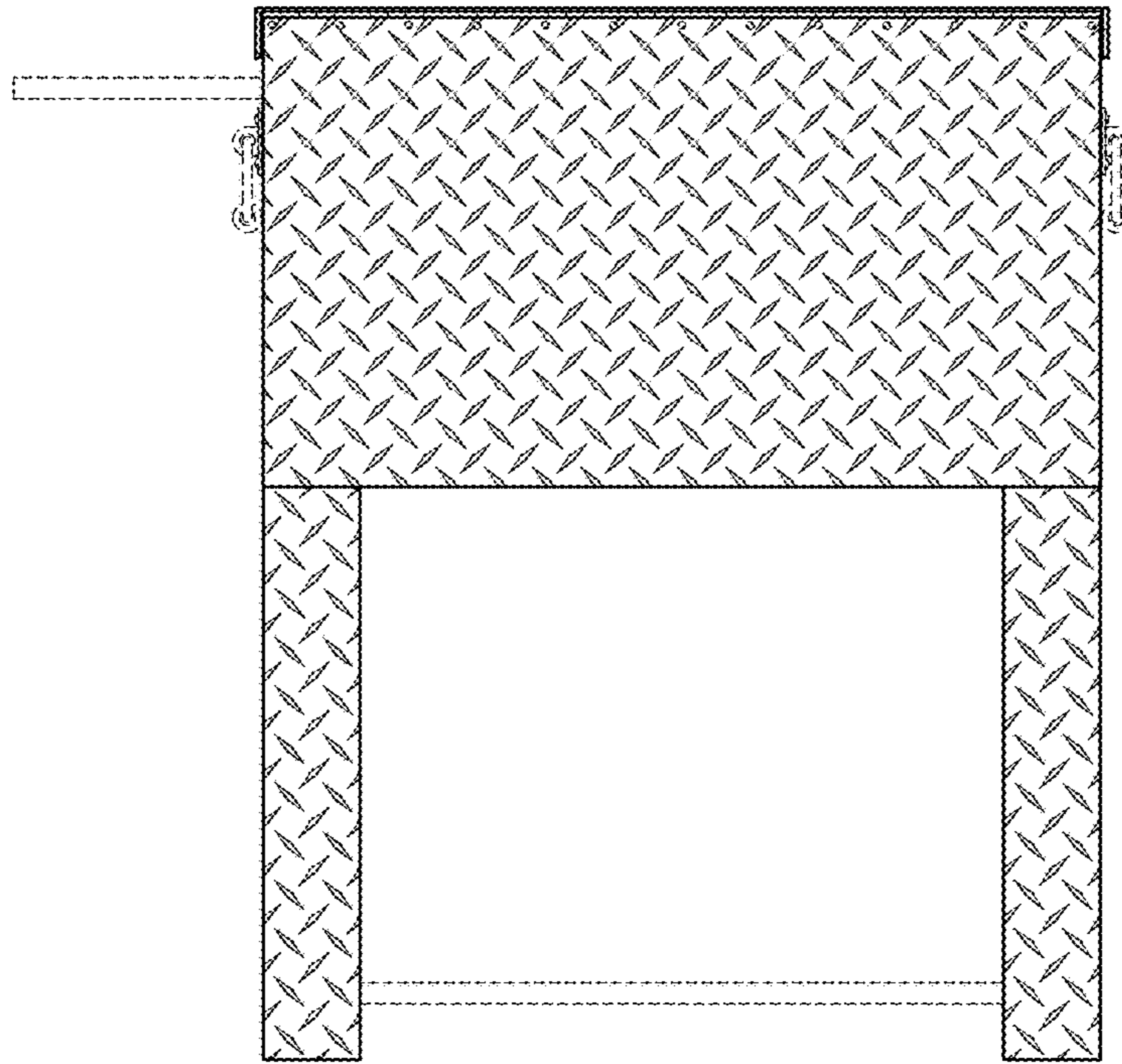


FIG. 3

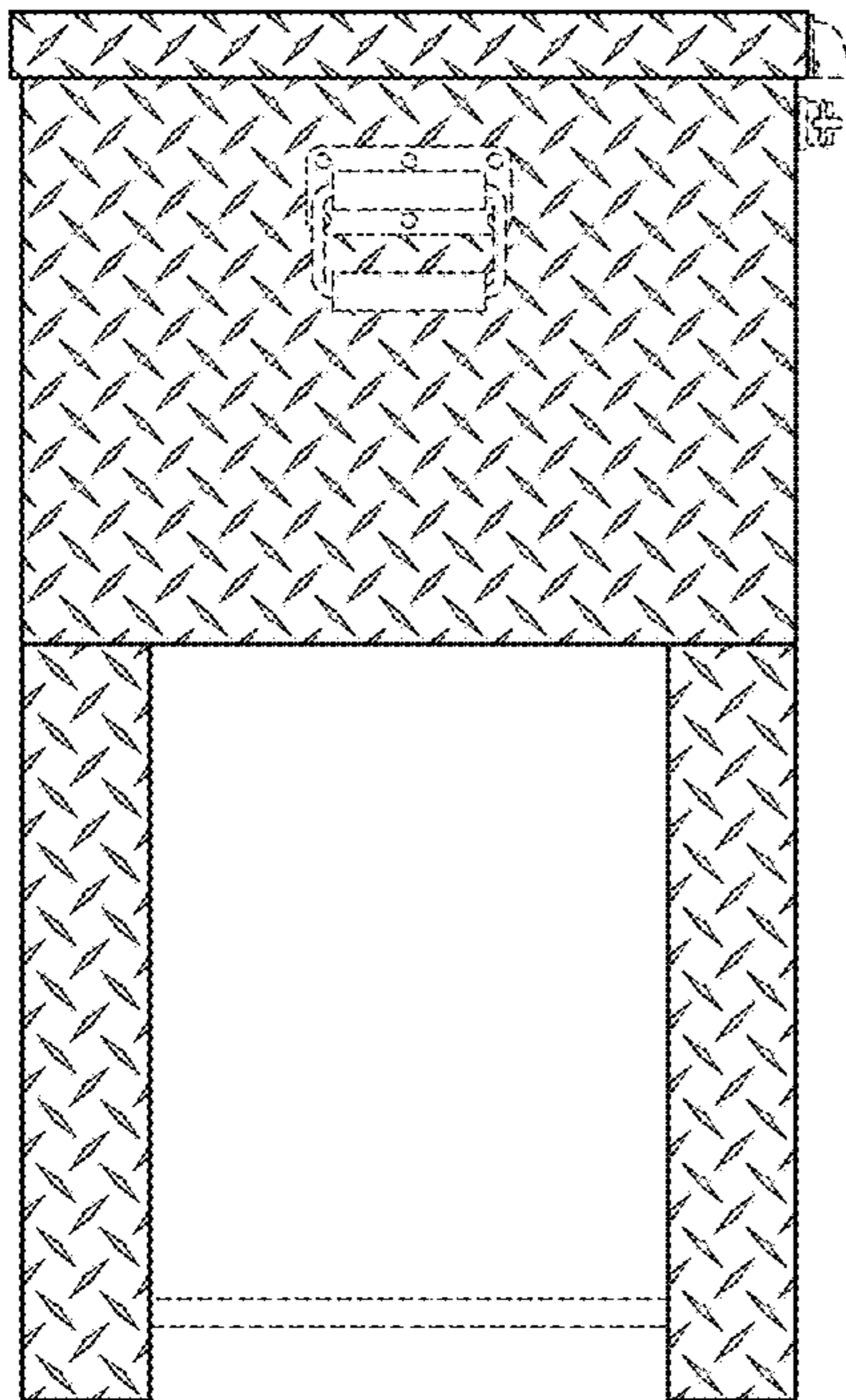


FIG. 4

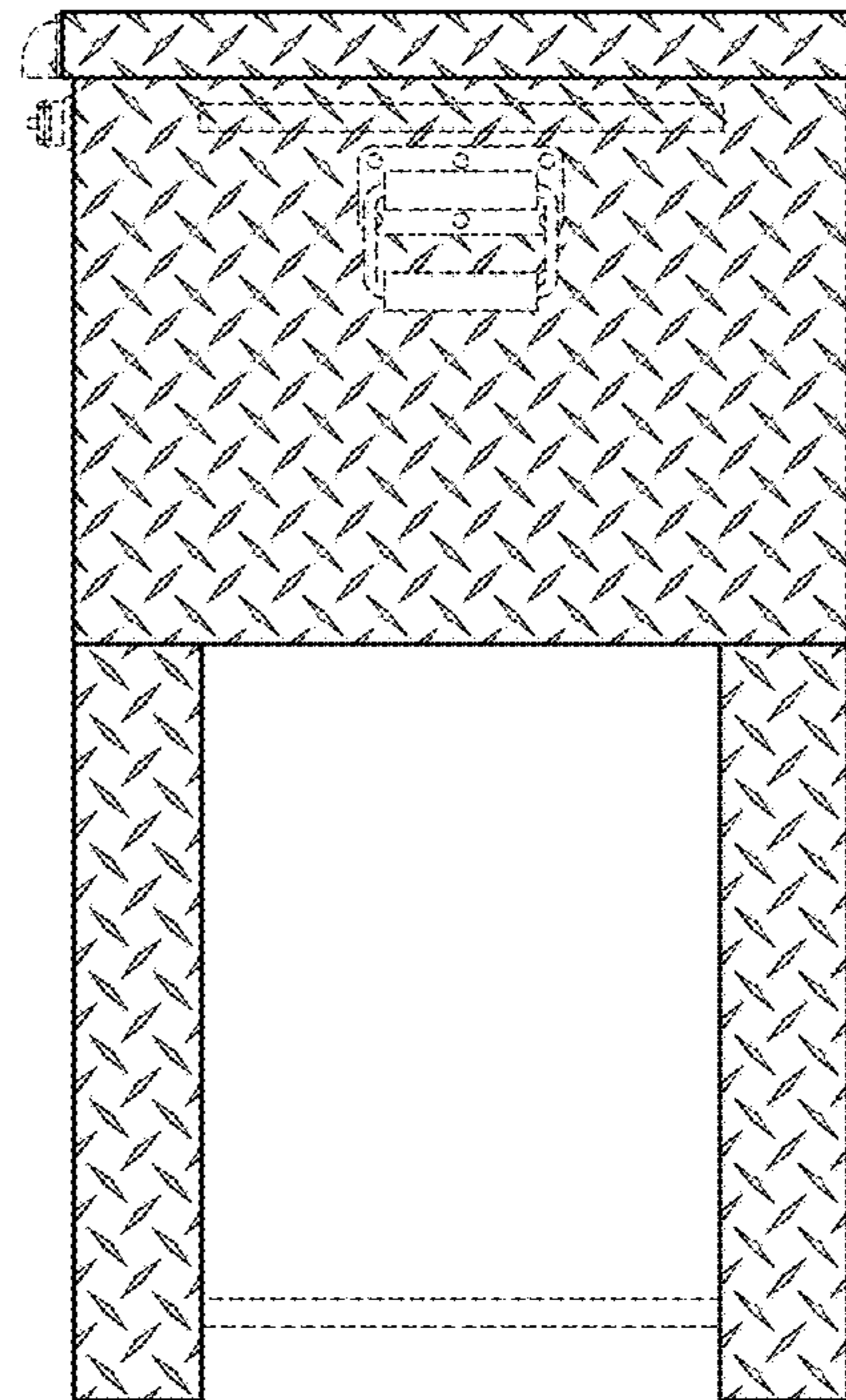
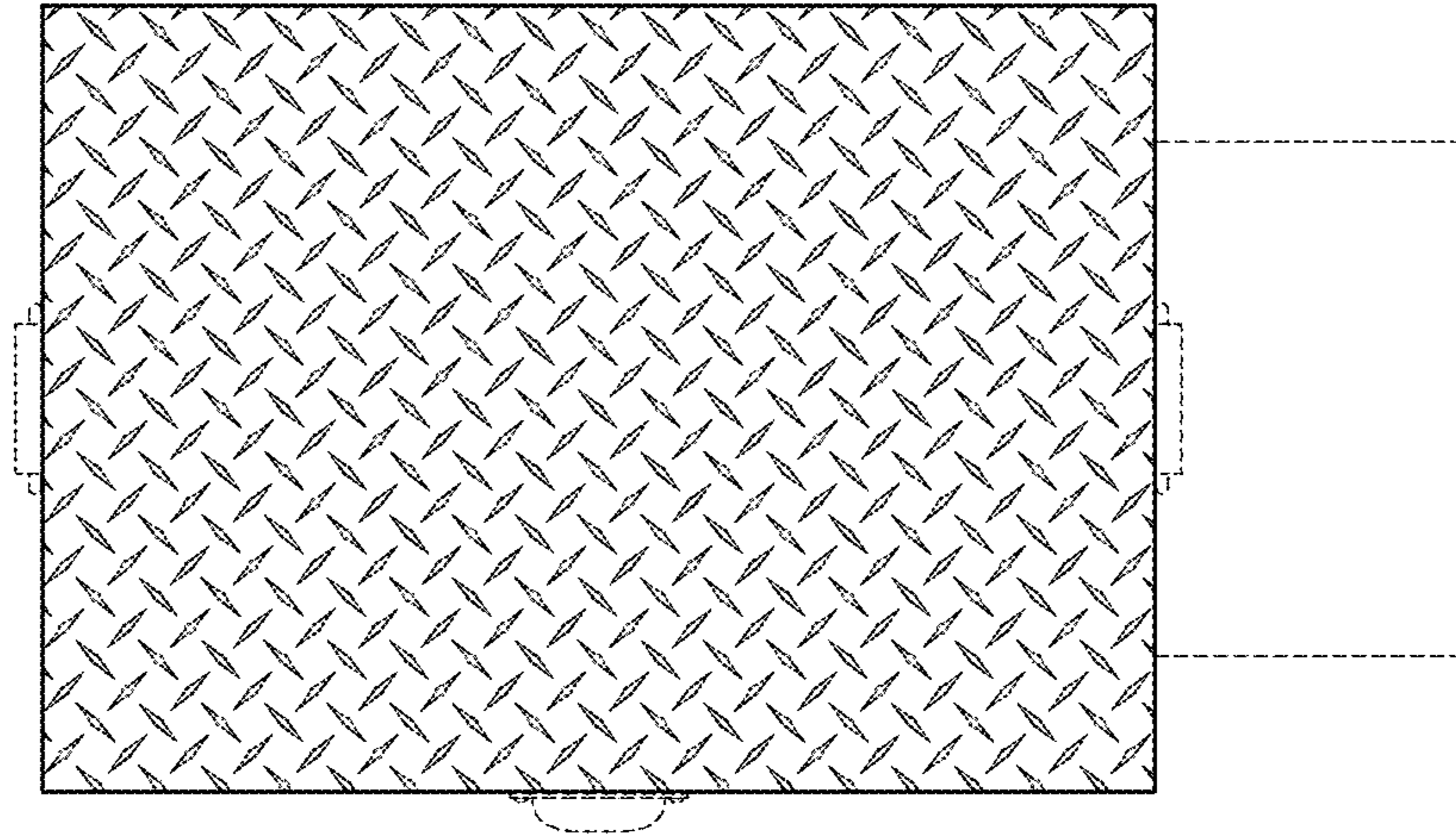
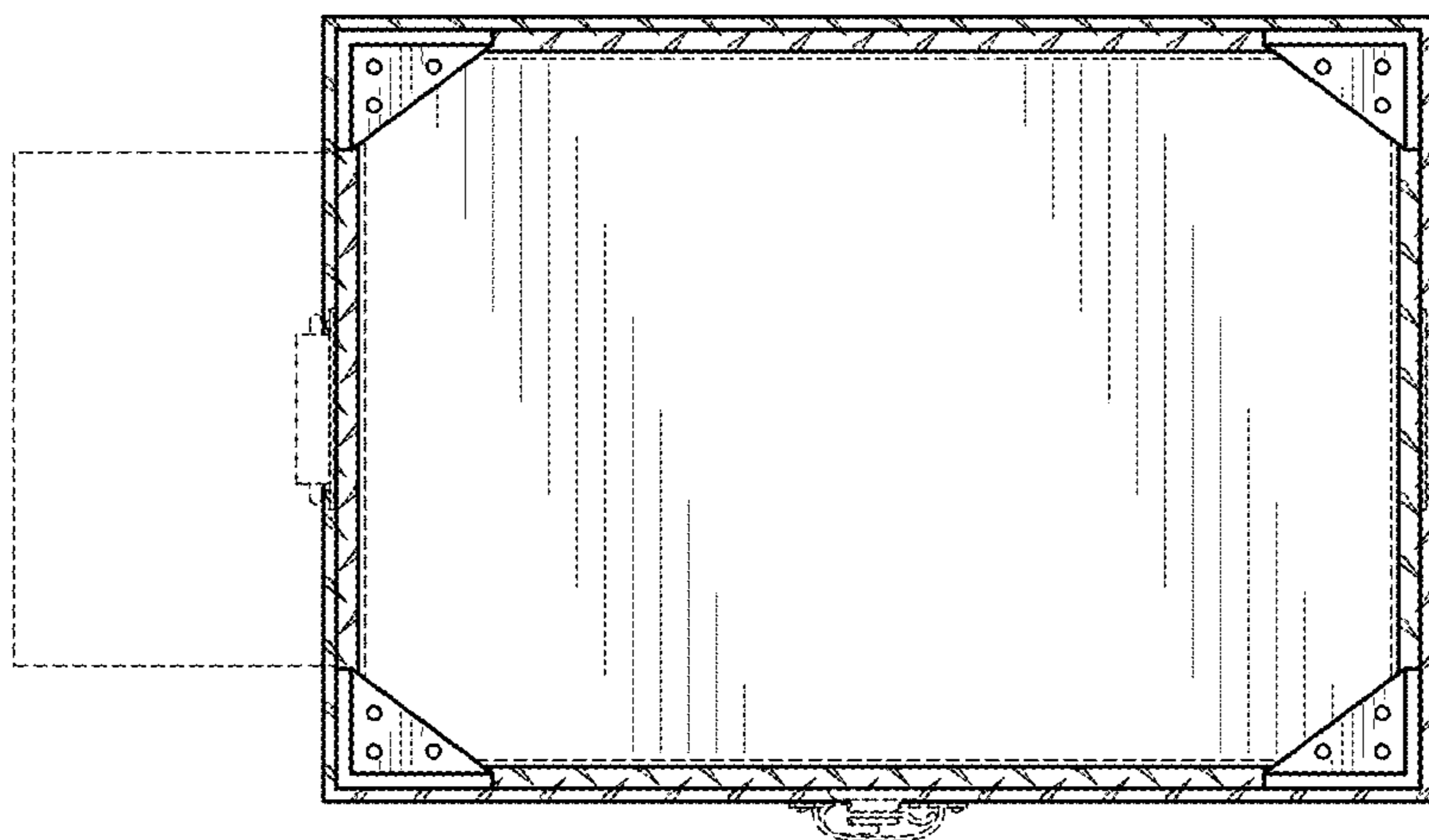


FIG. 5



**FIG. 6**



**FIG. 7**



FIG. 8

