



US00D784773S

(12) **United States Design Patent**
Furneau et al.

(10) **Patent No.:** **US D784,773 S**
(45) **Date of Patent:** **** Apr. 25, 2017**

(54) COOLER LINER	7,162,890 B2 *	1/2007	Mogil	A45C 11/20 62/457.7
(71) Applicant: Sovaro Coolers, LLC , Rosewell, GA (US)	D663,525 S *	7/2012	Rhoades	D3/314
	D682,624 S *	5/2013	Matthews	D7/387
	8,777,042 B2 *	7/2014	Matthews	F25D 23/066 220/495.03
(72) Inventors: Todd McLean Furneau , Roswell, GA (US); Jennifer Marin Earnest , Mabelton, GA (US)	2006/0113307 A1 *	6/2006	Goulette	A45C 11/20 220/495.06
	2008/0006638 A1 *	1/2008	Yang	B65F 1/06 220/495.11
(73) Assignee: Sovaro Coolers, LLC , Roswell, GA (US)	2011/0182532 A1 *	7/2011	Baltus	A45C 3/001 383/109

(**) Term: **15 Years**

* cited by examiner

(21) Appl. No.: **29/533,602**

Primary Examiner — Freda S Nunn

(22) Filed: **Jul. 20, 2015**

(74) *Attorney, Agent, or Firm* — Mchale & Slavin, P.A.

(51) **LOC (10) Cl.** **07-01**

(52) **U.S. Cl.**
USPC **D7/605**

(58) **Field of Classification Search**
USPC ... D7/602–608, 619.1, 619.2, 629, 630, 709,
D7/710

CPC .. A45C 11/20; A45C 5/14; A45C 5/03; A45C
3/001; A47B 77/08; B65D 8/18; B65D
5/48; B65D 21/00; B65D 21/08; B65D
6/16; B65D 21/083; B65D 81/38; B65D
81/3816; B65D 30/08; B65D 25/14;
B65D 81/3858; B65D 31/04; B65D
12/02; B65D 81/3881; B65B 63/08; F25D
3/08; F25D 27/00; F25D 3/06; F25D
2331/804; F25D 11/003; F25D
2303/0822; F25D 23/066; H05B 3/06;
B62B 2202/52; B62B 1/12; B67D
3/0067; B65F 1/06

See application file for complete search history.

(56) **References Cited**

U.S. PATENT DOCUMENTS

4,085,785 A * 4/1978 Hoot B65D 81/3881
206/522
D427,490 S * 7/2000 Hunter D7/605

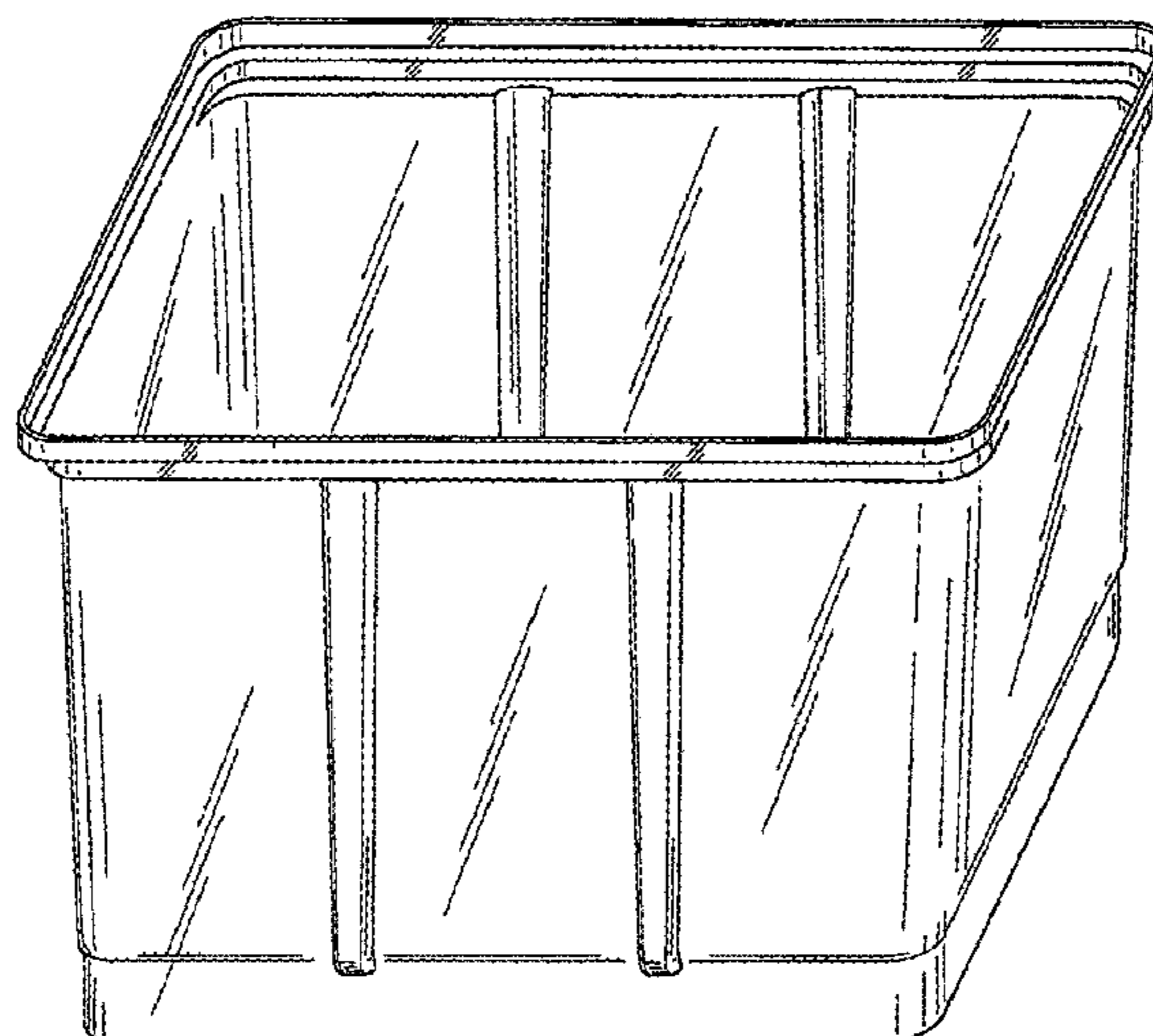
(57) **CLAIM**

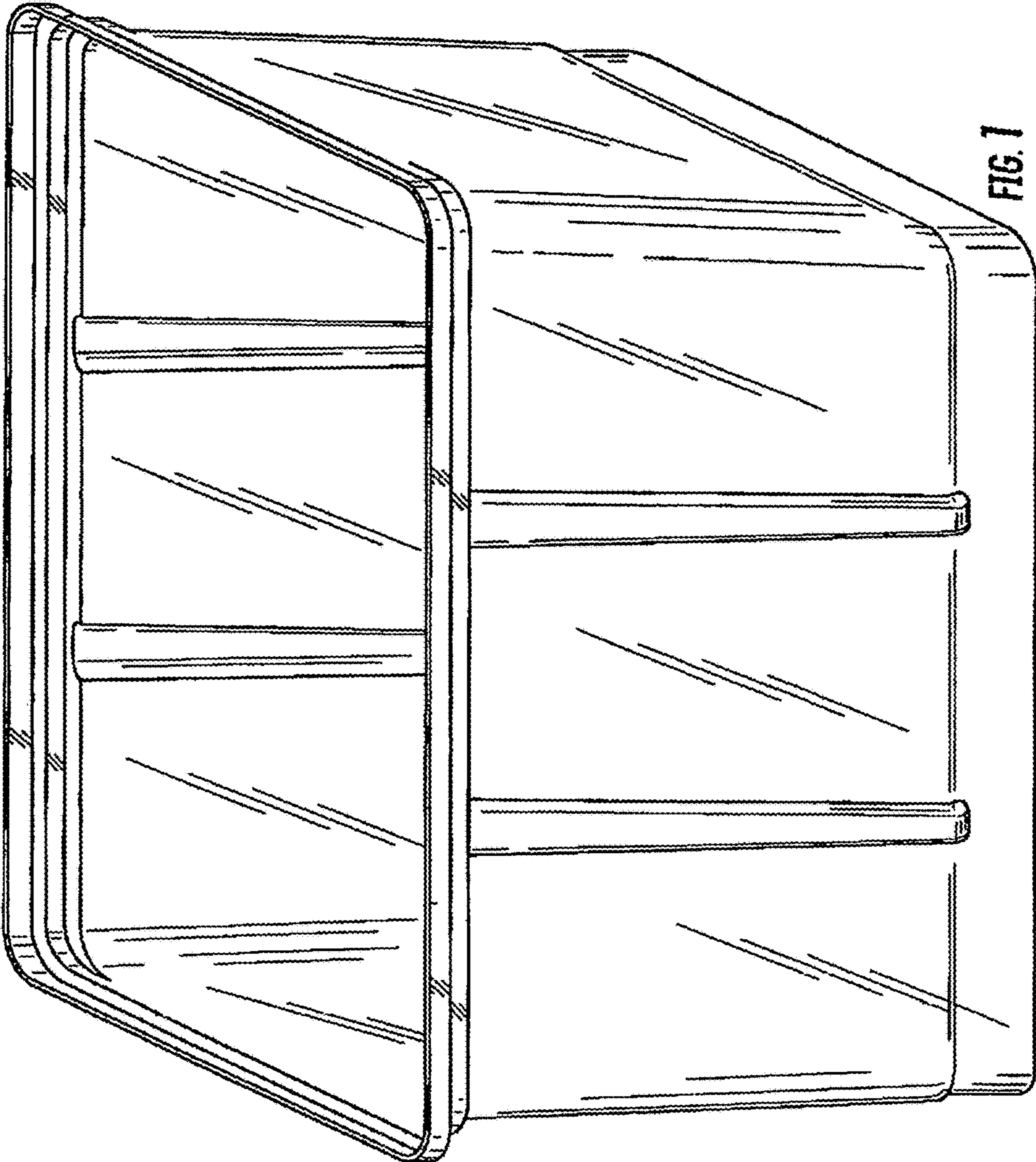
The ornamental design for a cooler liner, as shown and described.

DESCRIPTION

FIG. 1 is a top right isometric view of the cooler liner of the present invention;
FIG. 2 is a top view thereof;
FIG. 3 is a bottom view thereof;
FIG. 4 is a front view thereof;
FIG. 5 is a rear view thereof;
FIG. 6 is a right side view thereof;
FIG. 7 is a left side view thereof; and,
FIG. 8 is an isometric view thereof showing the cooler liner in an environment of use.
Broken lines shown in the drawings represent environment only and form no part of the claimed design.

1 Claim, 8 Drawing Sheets





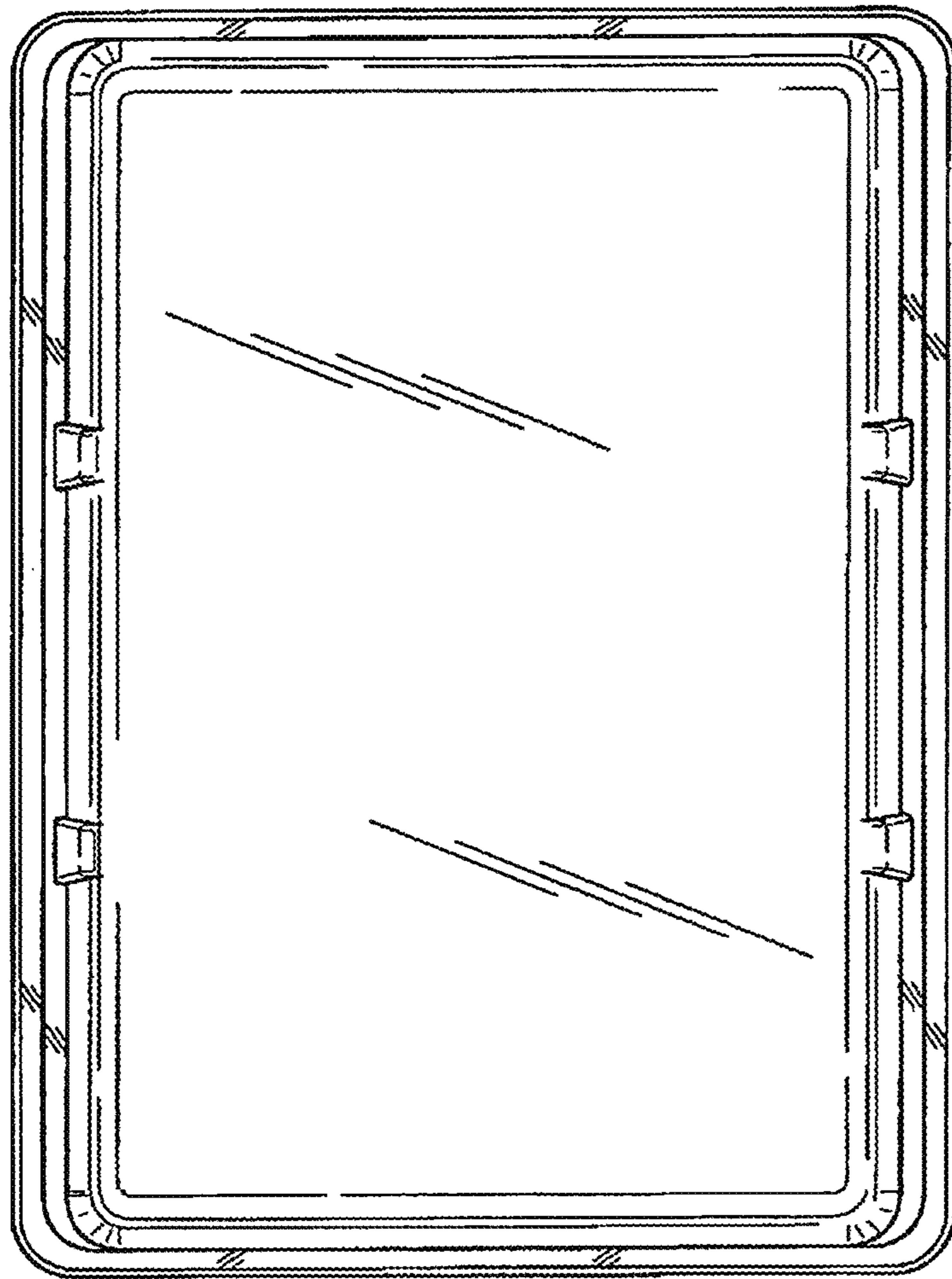


FIG. 2

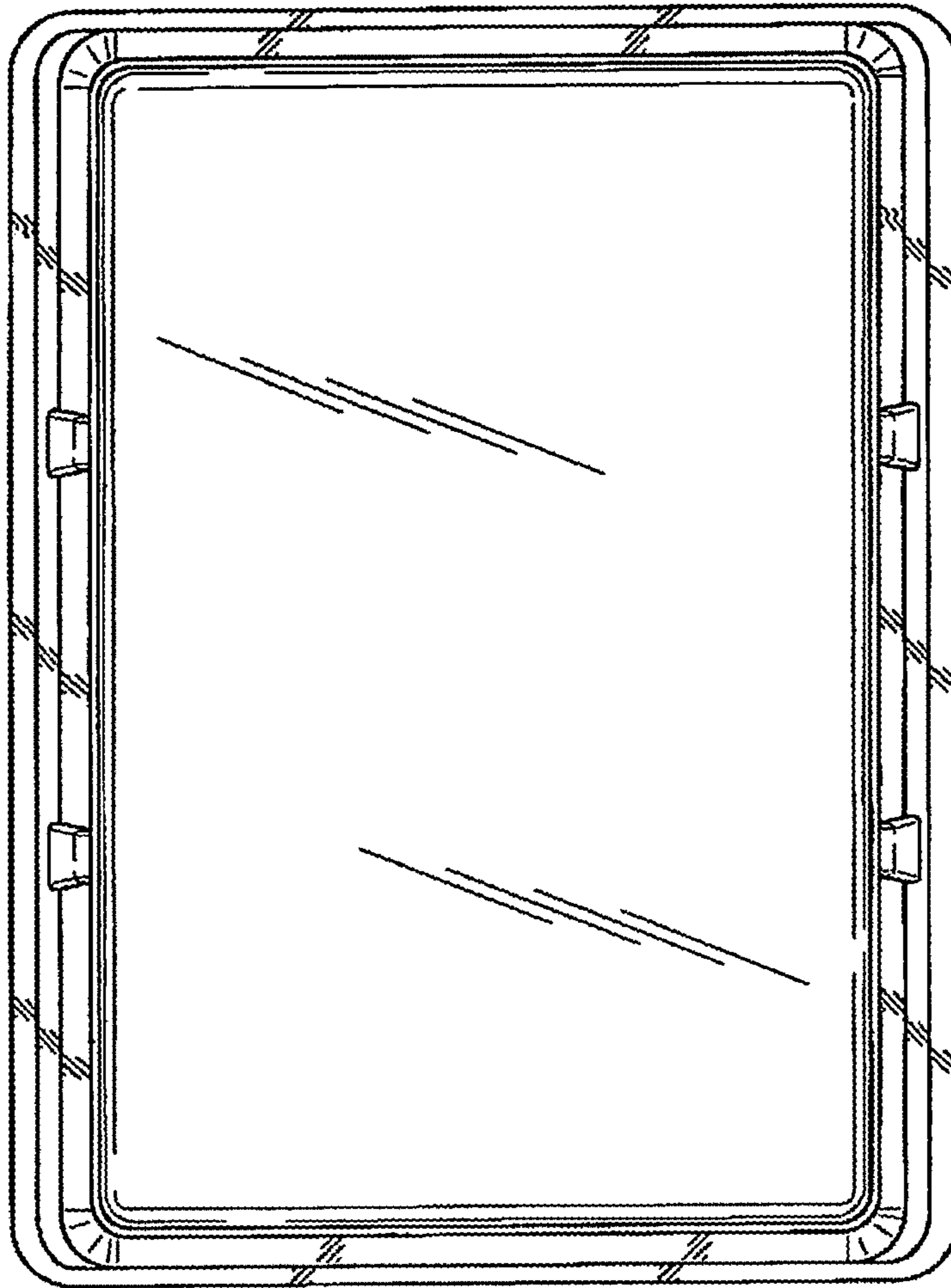


FIG. 3

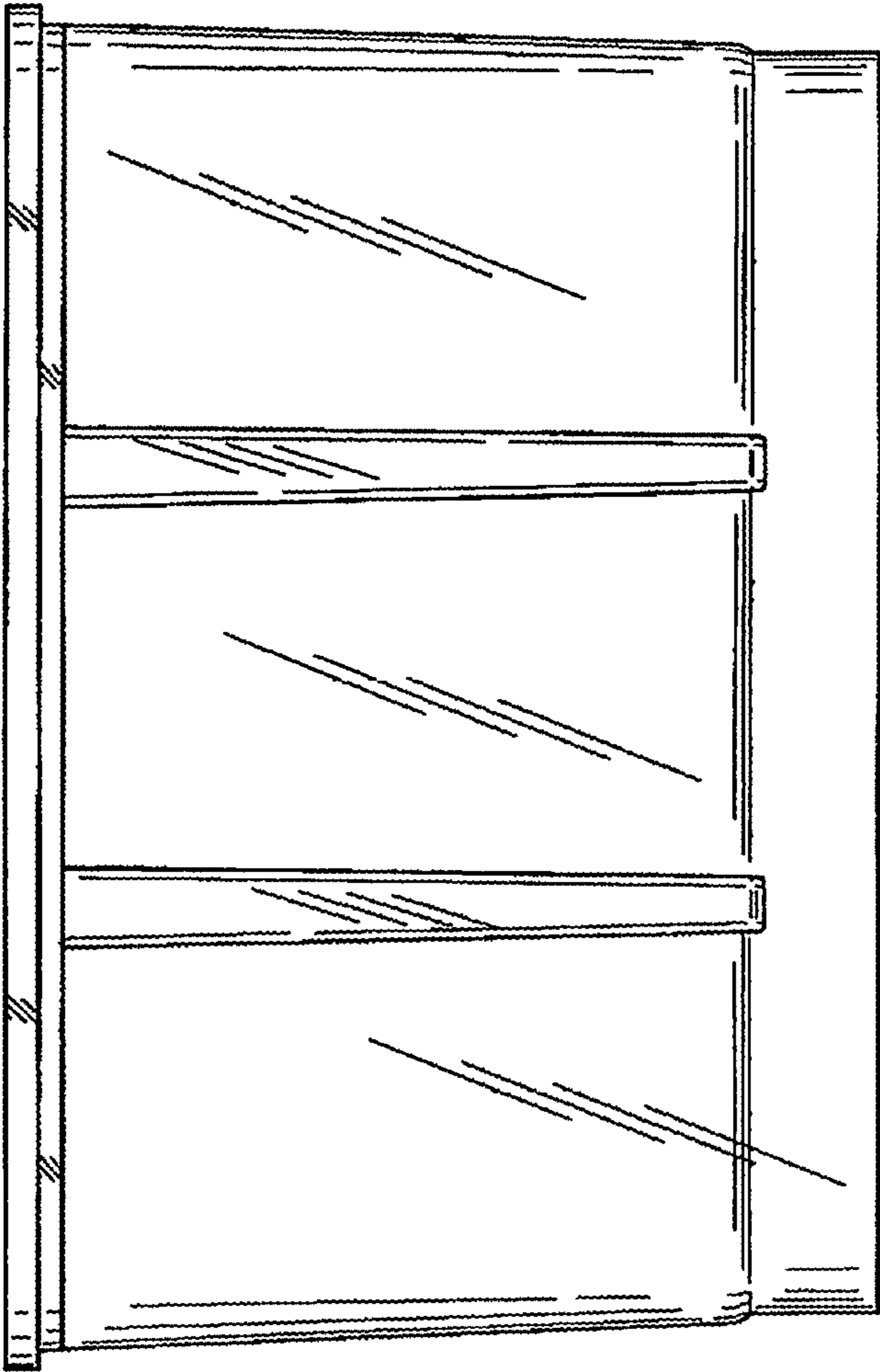


FIG. 4

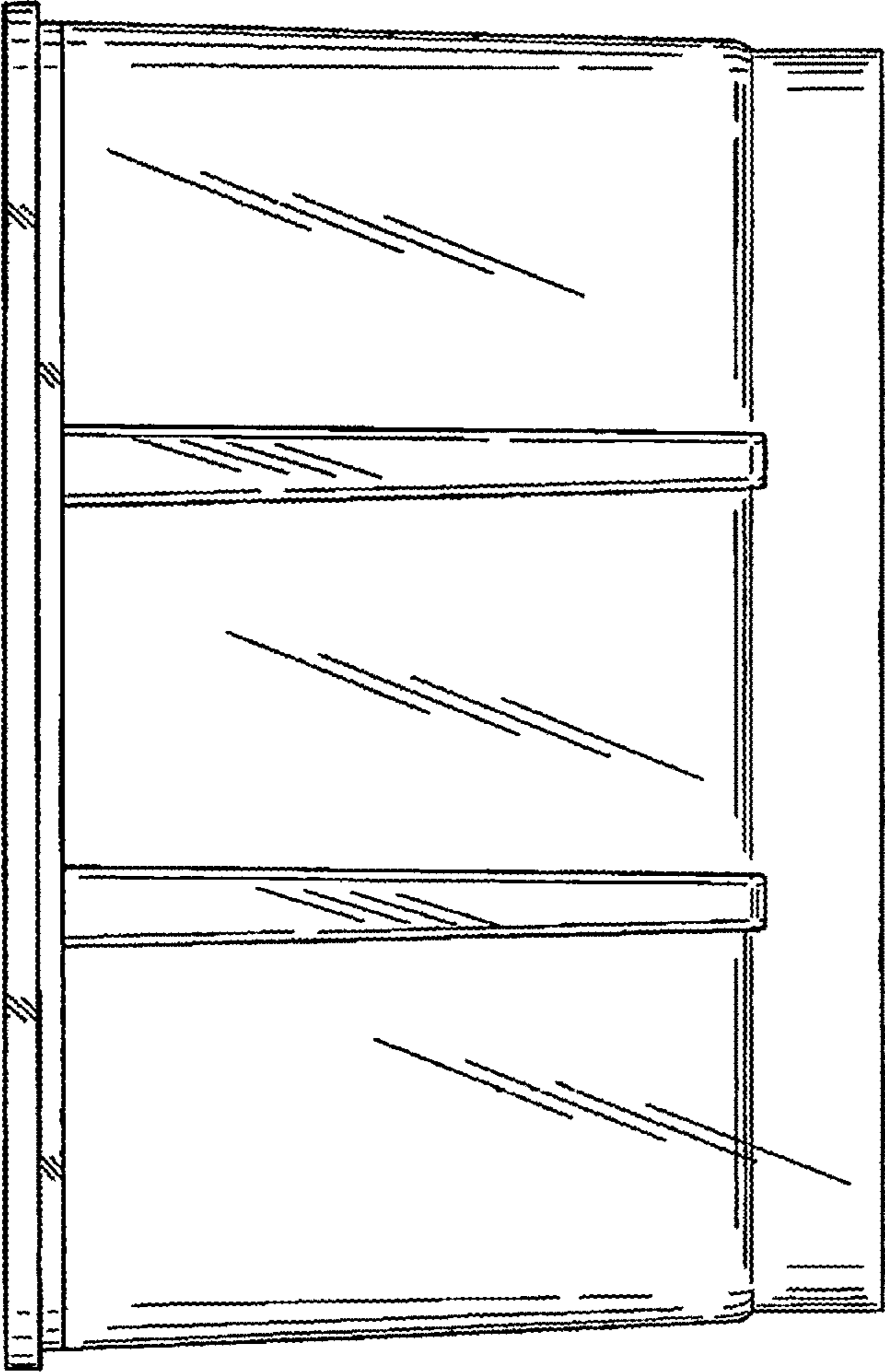


FIG. 5

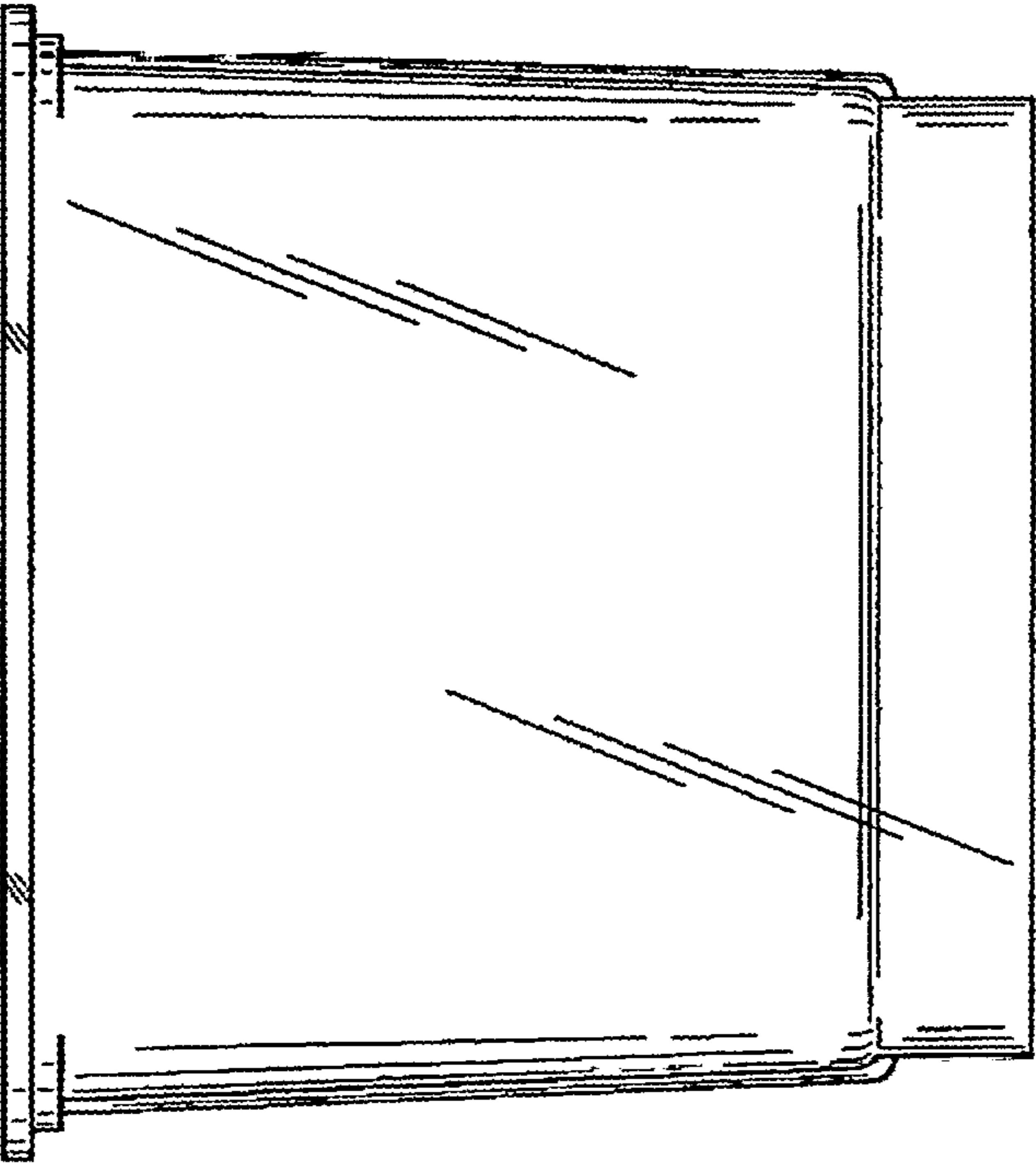


FIG. 6

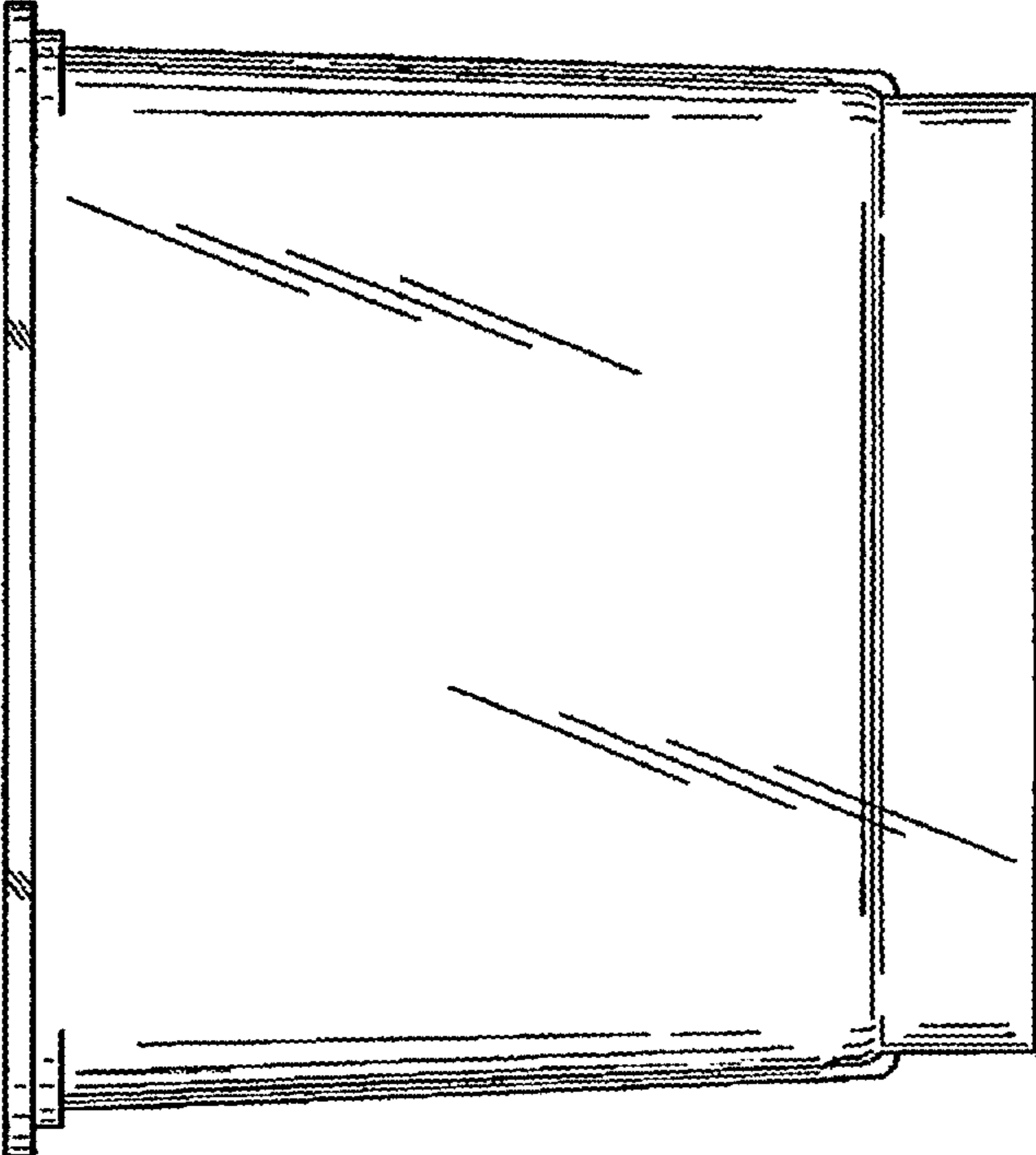


FIG. 7

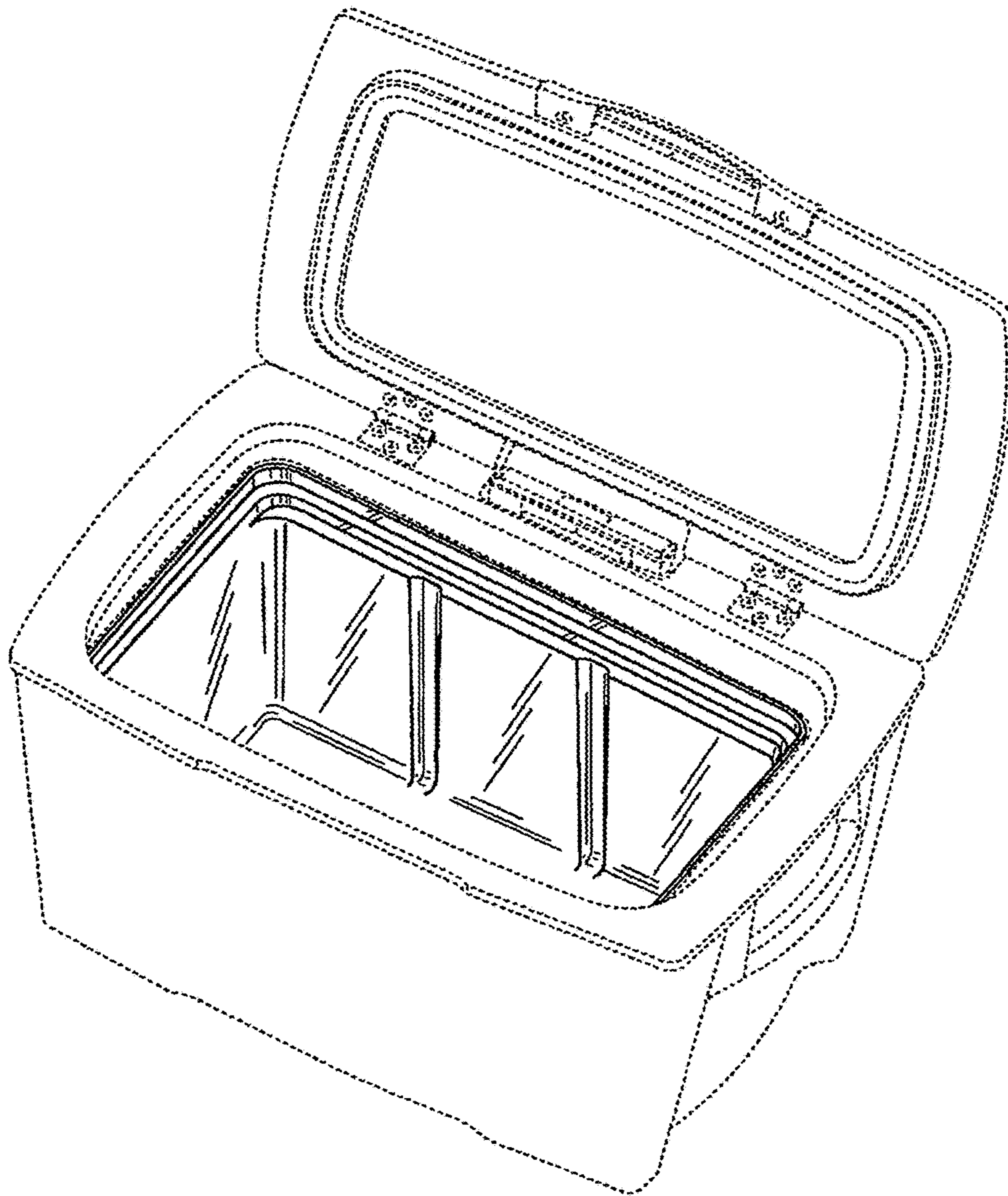


FIG. 8