



US00D784767S

(12) **United States Design Patent**  
**Sawyer et al.**

(10) **Patent No.:** **US D784,767 S**

(45) **Date of Patent:** **\*\* Apr. 25, 2017**

(54) **BOTTLE**  
(71) Applicants: **Duane Sawyer**, York, PA (US); **Bob Holmes**, York, PA (US)  
(72) Inventors: **Duane Sawyer**, York, PA (US); **Bob Holmes**, York, PA (US)  
(\*\*) Term: **15 Years**  
(21) Appl. No.: **29/540,729**  
(22) Filed: **Sep. 28, 2015**  
(51) **LOC (10) Cl.** ..... **07-01**  
(52) **U.S. Cl.**  
USPC ..... **D7/510; D7/511; D7/532; D9/503; D9/502**

(58) **Field of Classification Search**  
USPC ..... D7/500, 501, 505, 507, 509, 510, 511, D7/512, 523, 532, 534, 608, 607, 550.1, D7/553.1, 553.2, 554.3, 555, 669, 667, D7/529, 530; D9/414, 430, 431, 740, D9/759, 756, 440, 551, 556, 559, 562, D9/569, 504, 503, 447, 523, 516, 541, D9/530, 563, 570, 565, 557, 552, 502; D3/203.3, 203.2, 205, 283, 202, 288, 903, D3/901; D28/77, 83, 4; D19/77, 92, 81, D19/90, 95, 65, 102, 103, 105, 106, 107, D19/109; D6/301; 215/388, 387, 382; 220/703, 669, 667, 62.12, 592.16, 592.17, 220/666; D24/197  
CPC .. A47G 19/30; A47G 19/022; A47G 23/0608; A47G 23/0633; A47G 23/06; A47G 2019/2277; A45F 2003/205; B65D 21/086; B65D 1/0292; Y10S 215/90  
See application file for complete search history.

(56) **References Cited**  
U.S. PATENT DOCUMENTS

4,138 A 8/1845 Pratt  
1,865,555 A 7/1932 Brown

2,534,614 A 12/1950 Michael  
2,816,548 A \* 12/1957 Tupper ..... A61J 11/00 215/11.1  
D234,251 S \* 2/1975 Edwards ..... D9/500  
4,096,966 A 6/1978 Korshak  
4,243,156 A \* 1/1981 Lobbestael ..... B65D 47/10 220/265  
4,303,170 A 12/1981 Panicci  
D293,890 S \* 1/1988 Rogler ..... D9/520  
4,756,440 A 7/1988 Gartner  
5,079,013 A 1/1992 Belanger  
D387,247 S \* 12/1997 Randolph ..... D7/510  
D441,087 S \* 4/2001 Johansen ..... D24/197  
D441,872 S \* 5/2001 Johansen ..... D24/197  
6,230,913 B1 \* 5/2001 Cornell ..... B65D 71/066 215/387  
D483,673 S \* 12/2003 Kudert ..... D9/502

(Continued)

*Primary Examiner* — Marianne Pandozzi  
*Assistant Examiner* — Jae Liang  
(74) *Attorney, Agent, or Firm* — Muskin & Farmer LLC

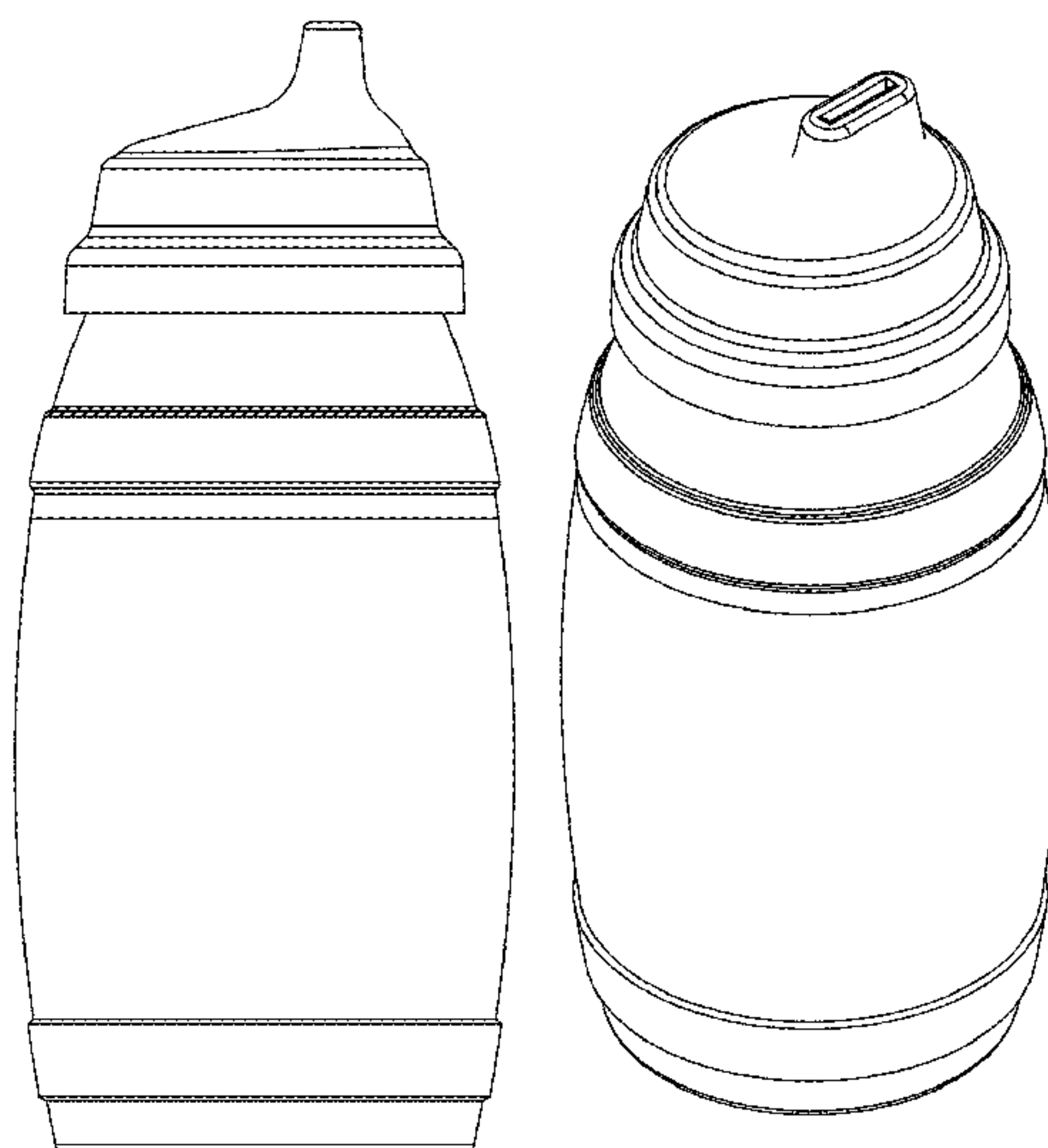
(57) **CLAIM**

The ornamental design for a bottle, as shown and described.

**DESCRIPTION**

FIG. 1 is a right side view of a bottle showing our new design;  
FIG. 2 is a first bottom perspective view of the bottle;  
FIG. 3 is a rear view of the bottle;  
FIG. 4 is a second bottom perspective view of the bottle;  
FIG. 5 is a top perspective view of the bottle;  
FIG. 6 is a bottom view of the bottle;  
FIG. 7 is a top view of the bottle;  
FIG. 8 is a left side view of the bottle;  
FIG. 9 is a front view of the bottle;  
FIG. 10 is a second top perspective view of the bottle; and,  
FIG. 11 is an enlarged view of the top view of the bottle.

**1 Claim, 4 Drawing Sheets**



(56)

**References Cited**

U.S. PATENT DOCUMENTS

D561,522 S *	2/2008	Gordon .....	D7/392
8,540,112 B2	9/2013	Connors	
D708,952 S *	7/2014	Fu .....	D9/500
D713,671 S *	9/2014	De Leo .....	D7/392.1
D717,107 S *	11/2014	Dunn .....	D7/396.2
D732,676 S *	6/2015	Prentice .....	D24/197
D747,145 S *	1/2016	Struckmeier .....	D7/510

\* cited by examiner

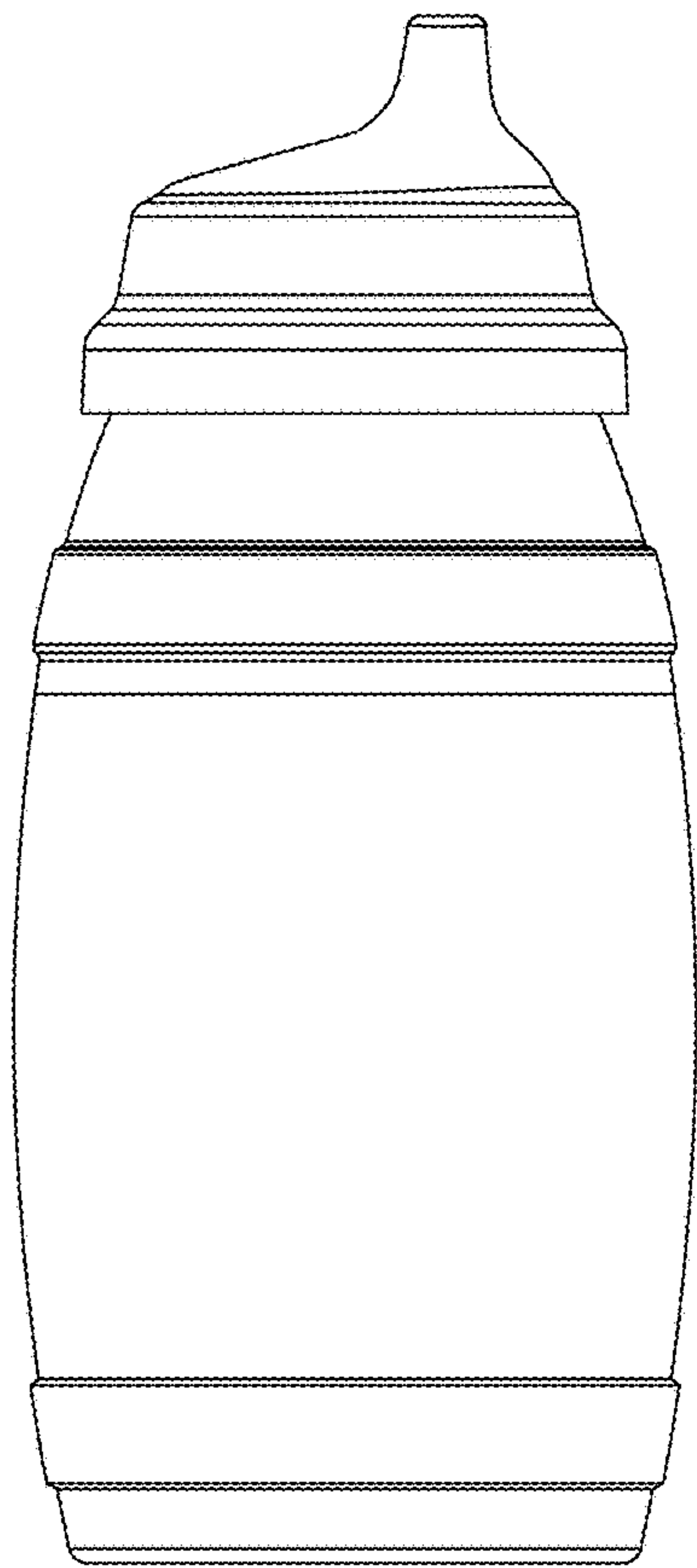


FIG. 1

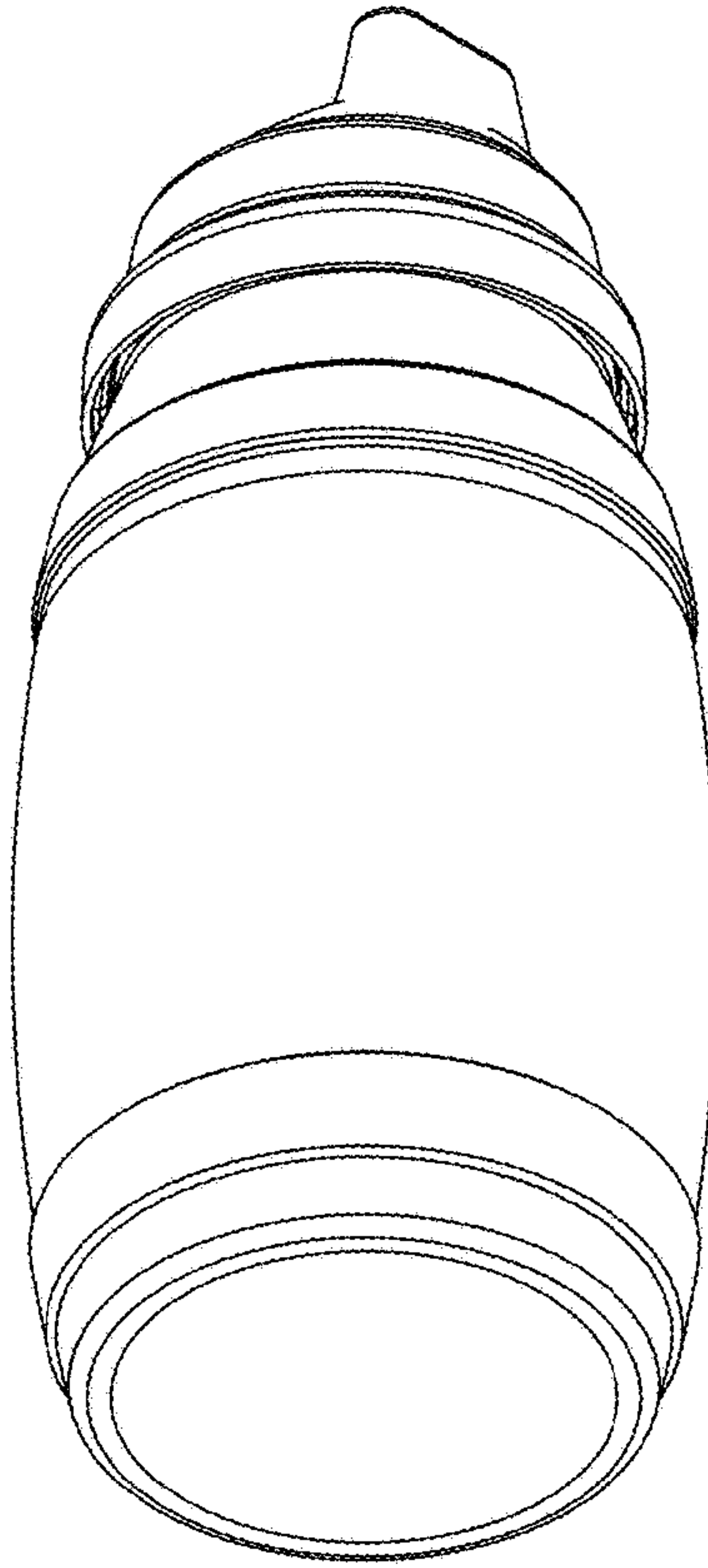


FIG. 2

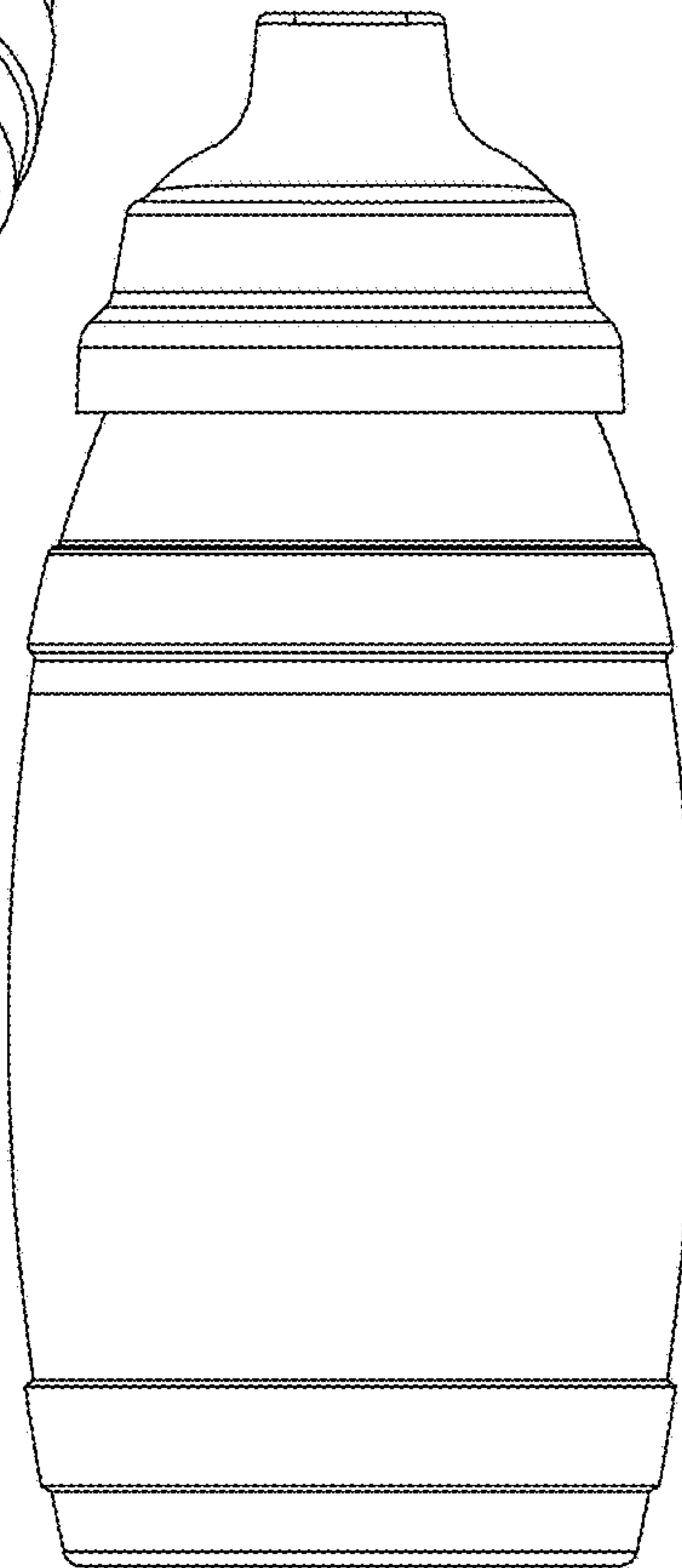


FIG. 3

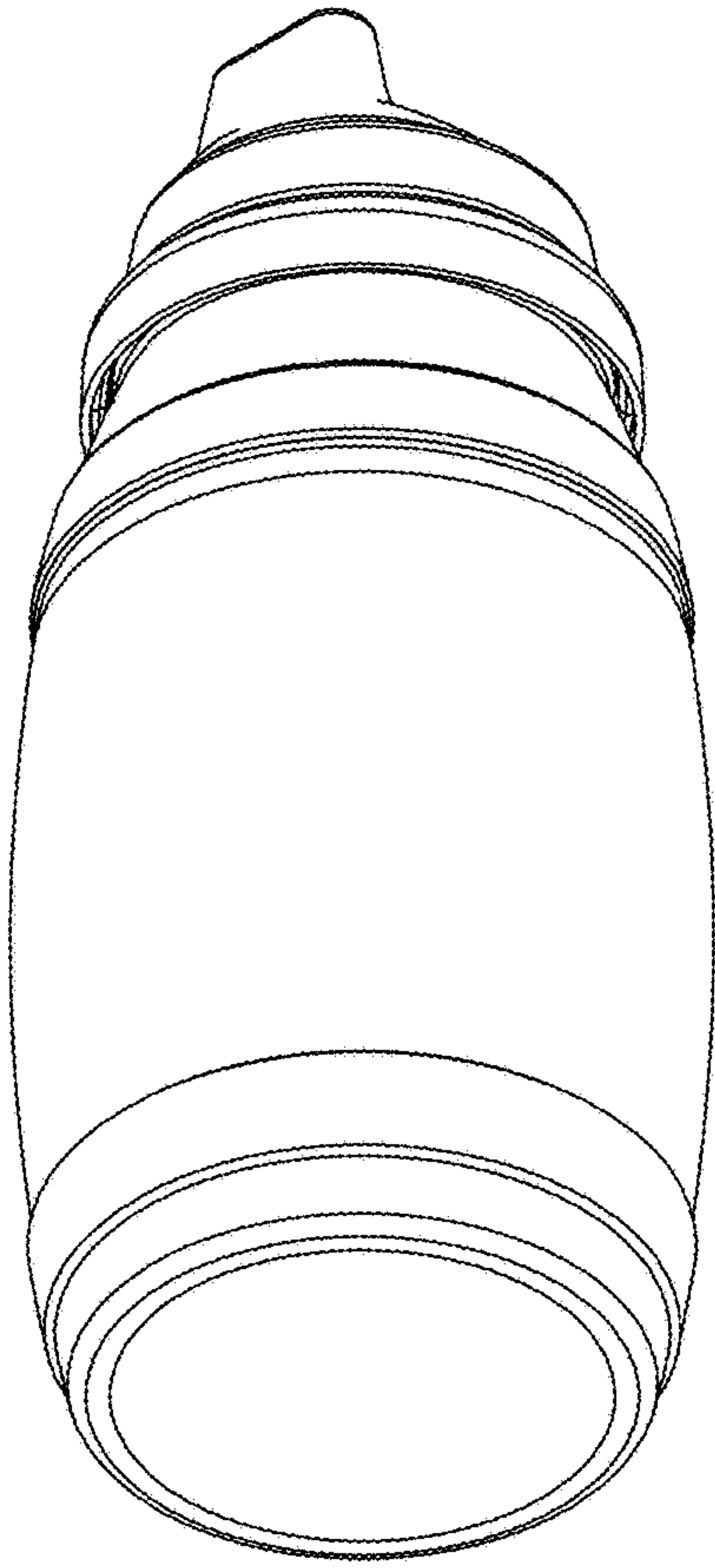


FIG. 4

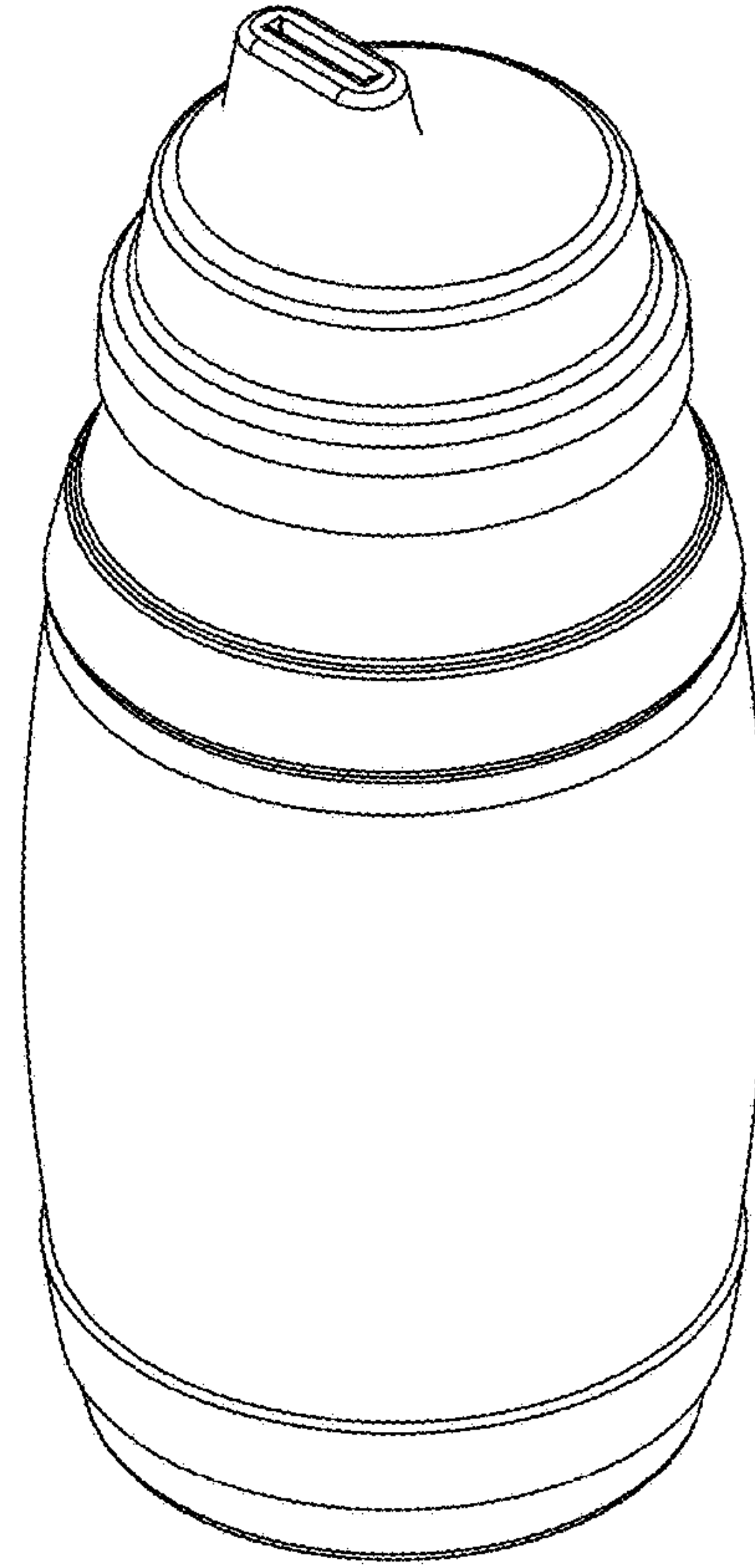


FIG. 5

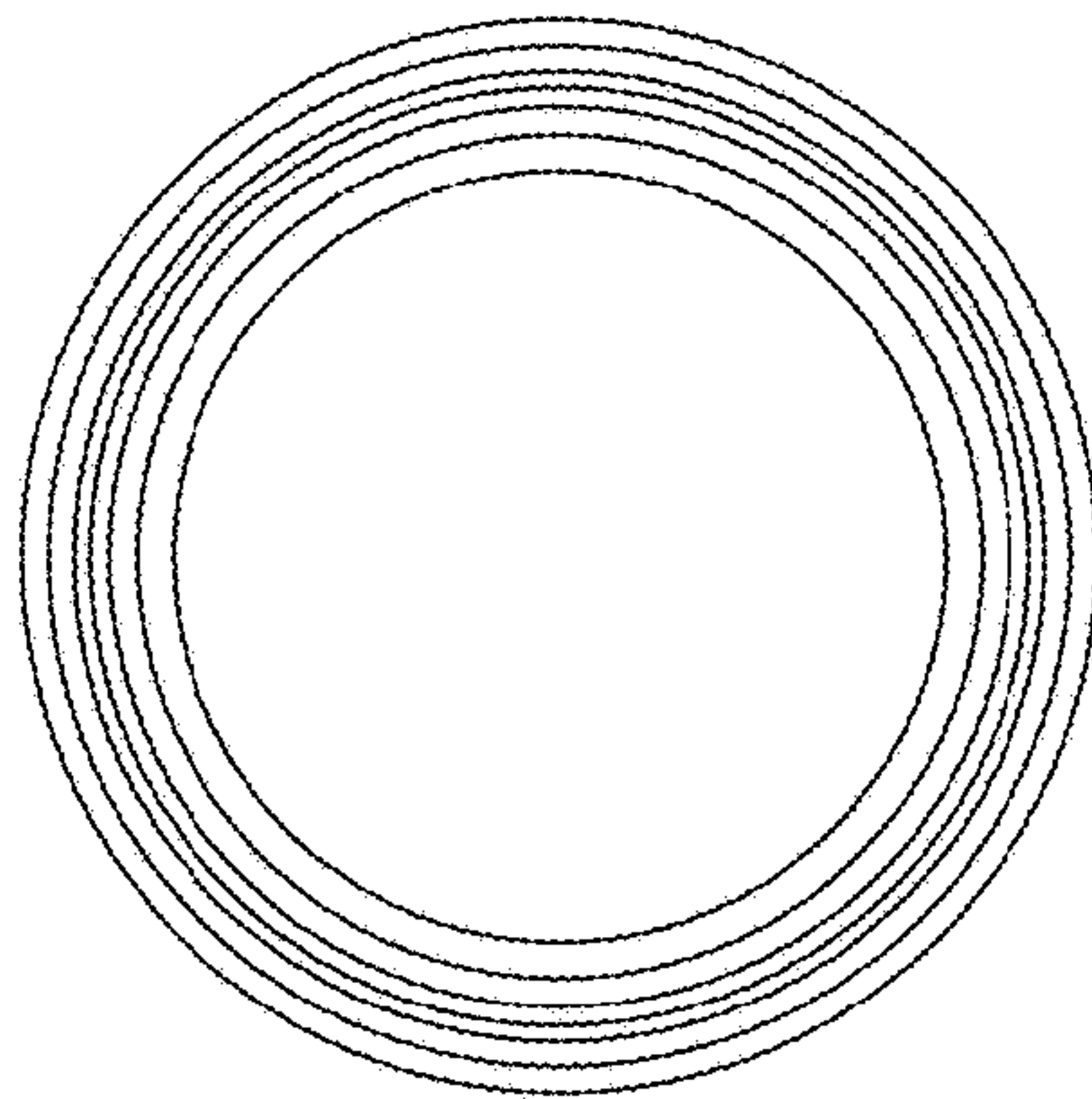


FIG. 6

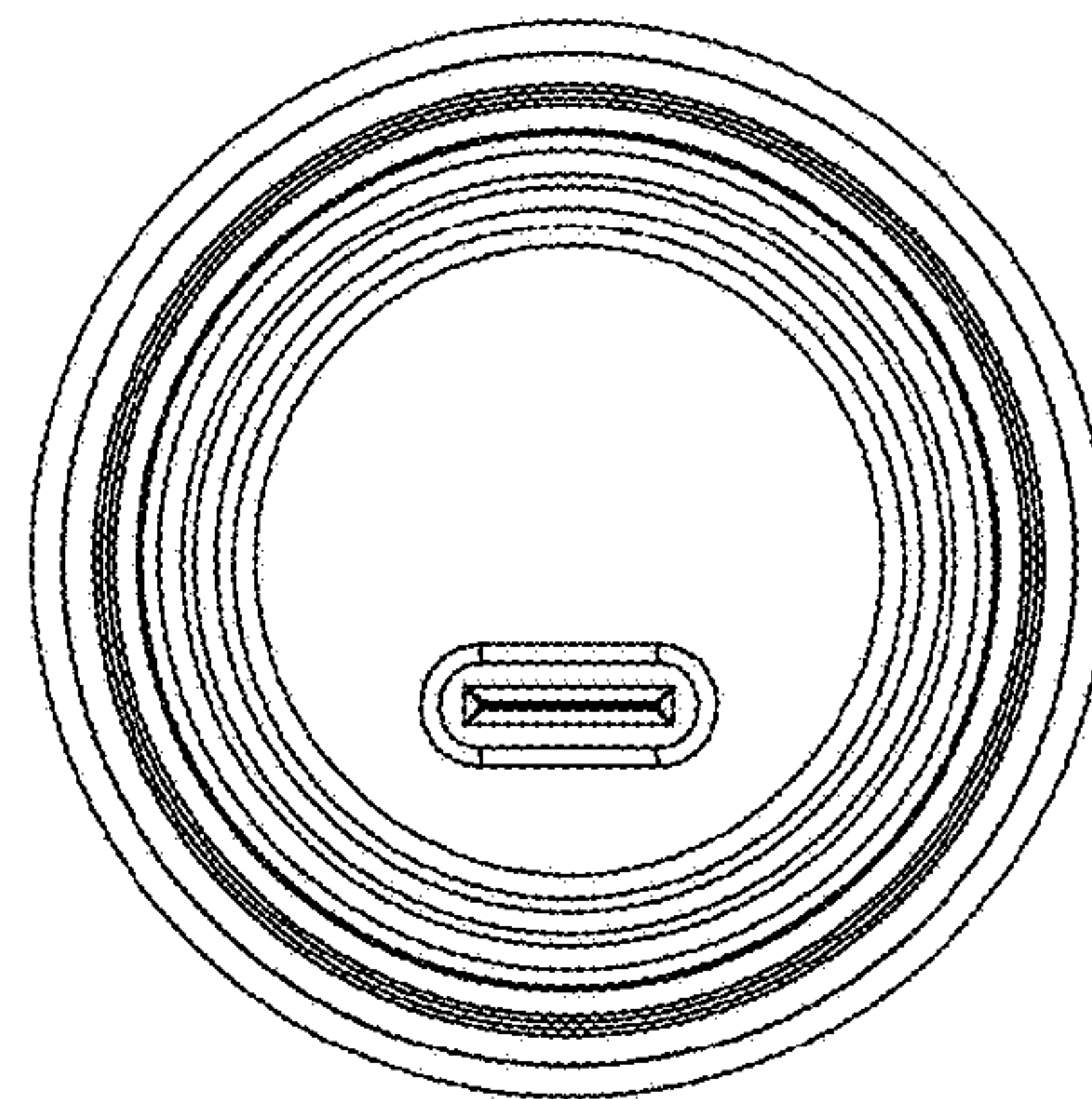


FIG. 7



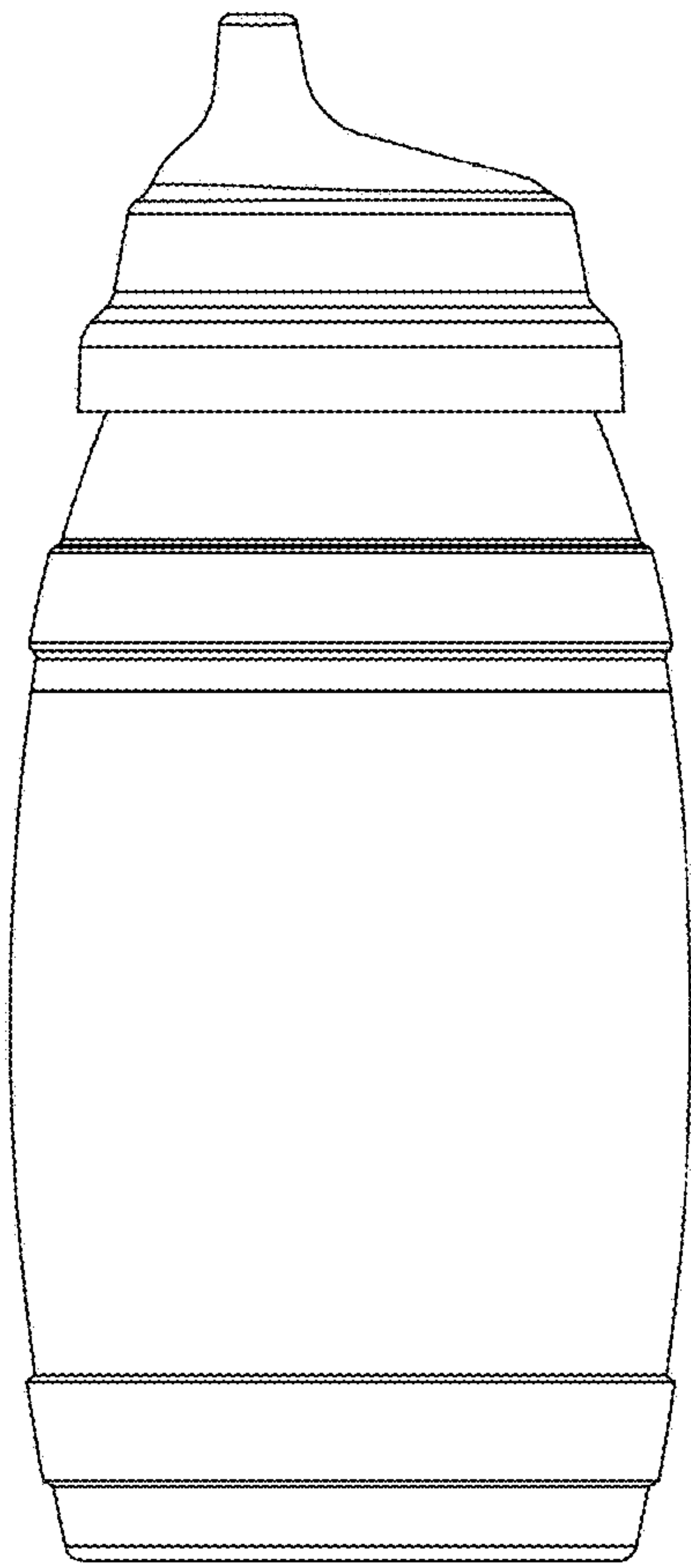


FIG. 8

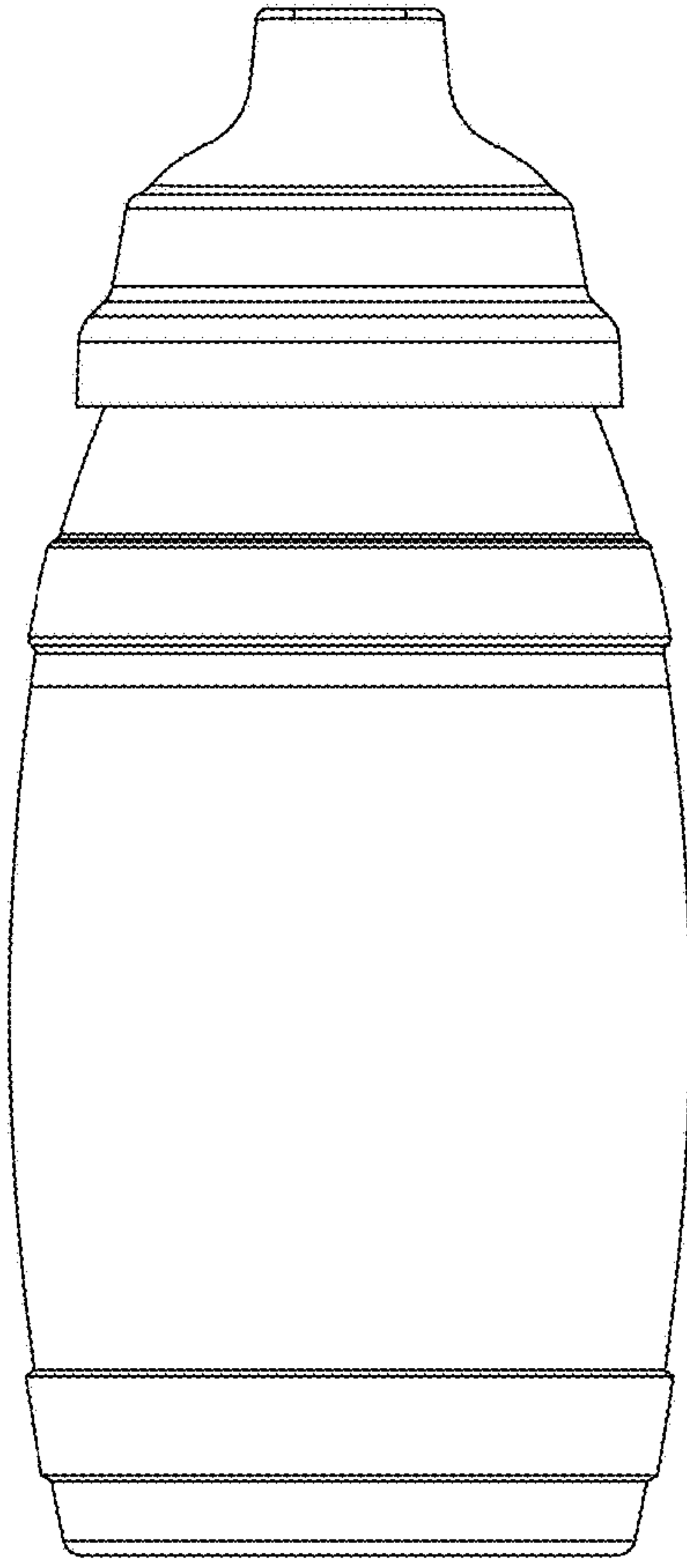


FIG. 9

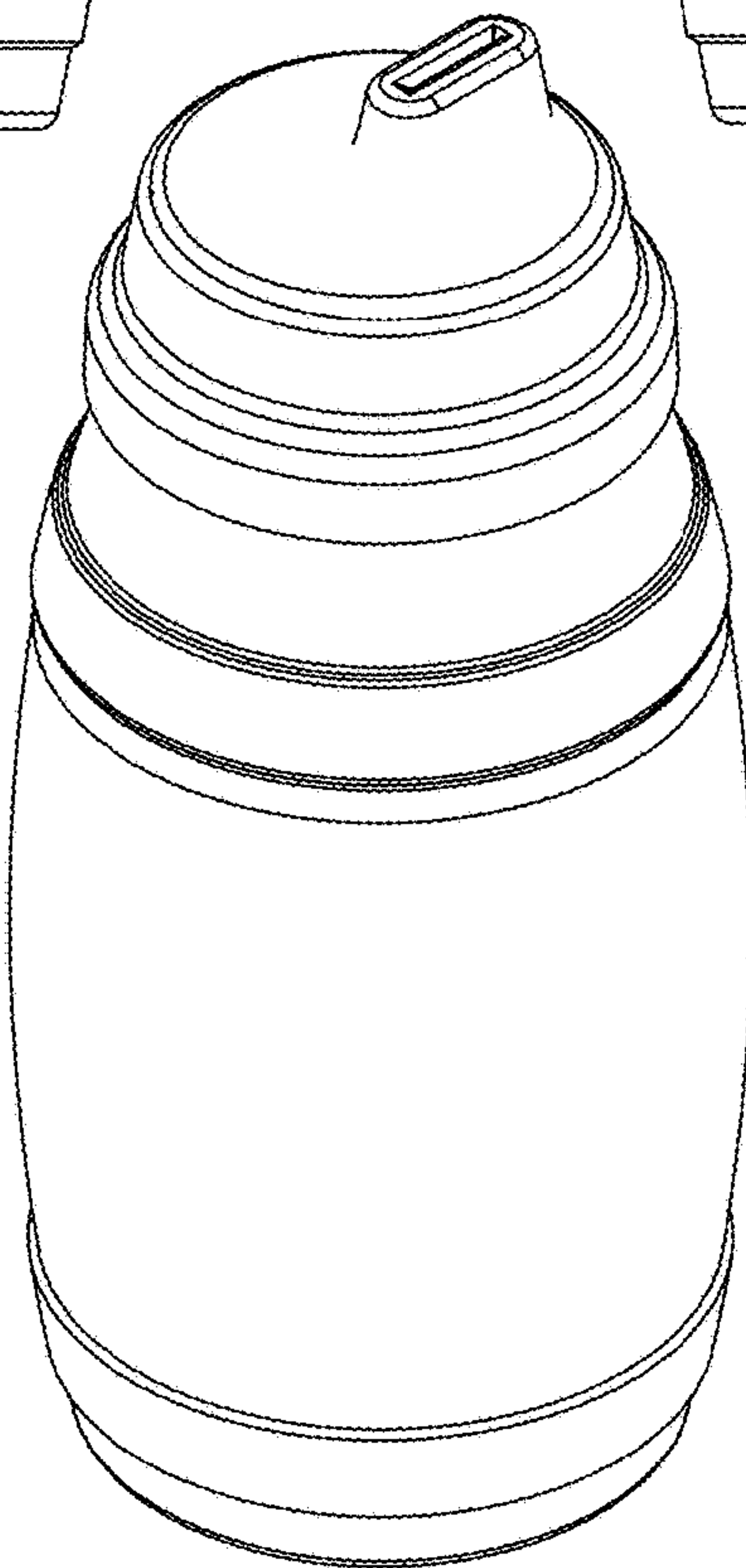


FIG. 10

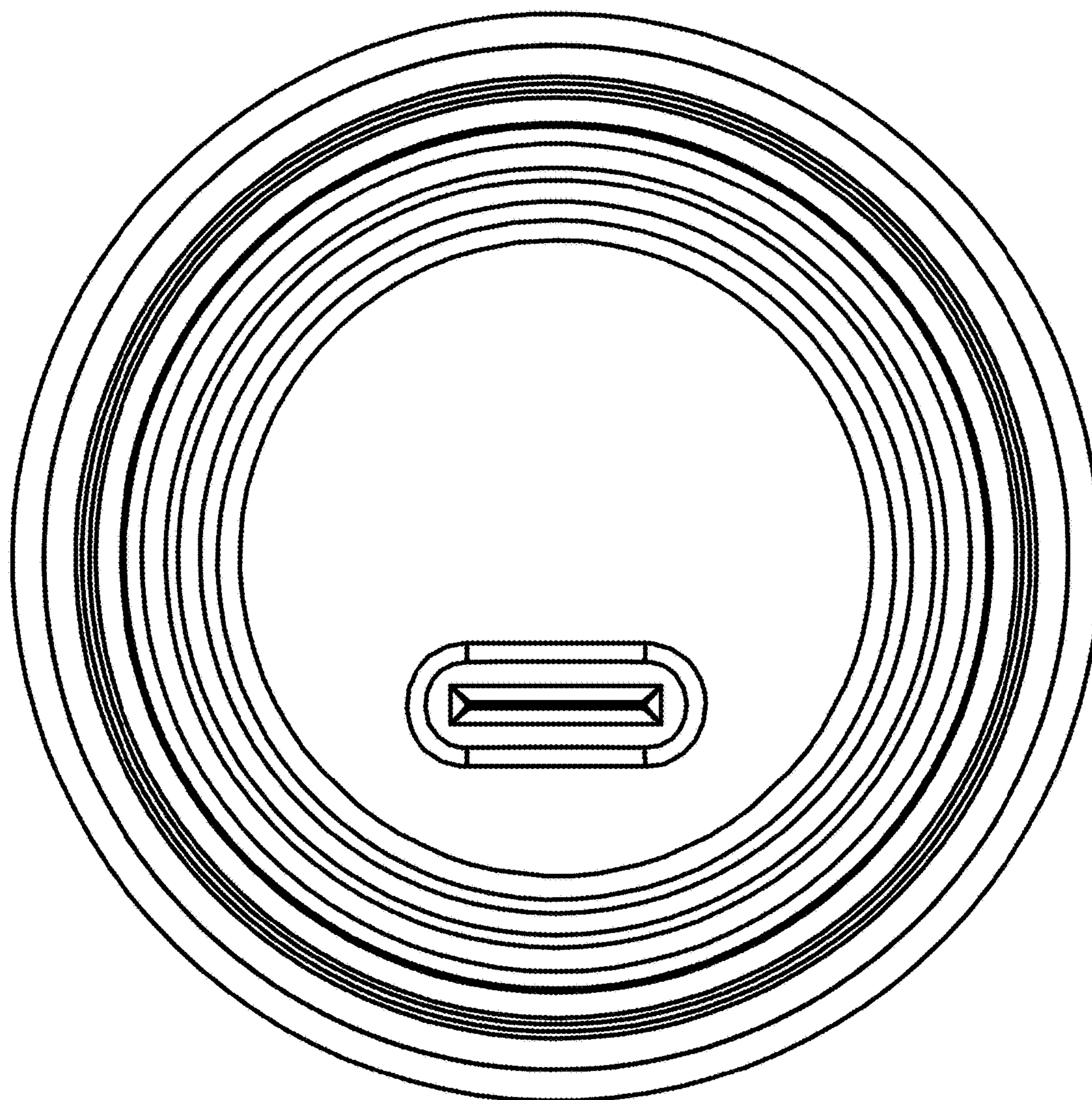


FIG. 11