



US00D784766S

(12) **United States Design Patent**  
**Sawyer et al.**

(10) **Patent No.:** **US D784,766 S**  
(45) **Date of Patent:** **\*\* Apr. 25, 2017**

(54) **BOTTLE**

(71) Applicants: **Duane Sawyer**, York, PA (US); **Bob Holmes**, York, PA (US)

(72) Inventors: **Duane Sawyer**, York, PA (US); **Bob Holmes**, York, PA (US)

(\*\*) Term: **15 Years**

(21) Appl. No.: **29/540,728**

(22) Filed: **Sep. 28, 2015**

(51) **LOC (10) Cl.** ..... **07-01**

(52) **U.S. Cl.**  
USPC ..... **D7/510; D7/511; D7/532; D7/529;**  
**D9/503; D9/502; D9/551**

(58) **Field of Classification Search**  
USPC ..... **D7/500, 501, 505, 507, 509, 510, 511,**  
**D7/512, 523, 532, 534, 608, 607, 550.1,**  
**D7/553.1, 553.2, 554.3, 555, 669, 667,**  
**D7/529, 530; D9/414, 430, 431, 740,**  
**D9/759, 756, 440, 551, 556, 559, 562,**  
**D9/569, 504, 503, 447, 523, 516, 541,**  
**D9/530, 563, 570, 565, 557, 552, 502;**  
**D3/203.3, 203.2, 205, 283, 202, 288, 903,**  
**D3/901; D28/77, 83, 4; D19/77, 92, 81,**  
**D19/90, 95, 65, 102, 103, 105, 106, 107,**  
**D19/109; D6/301; 215/388, 387, 382;**  
**220/703, 669, 667, 62.12, 592.16, 592.17,**  
**220/666; D24/197**  
CPC .. **A47G 19/30; A47G 19/022; A47G 23/0608;**  
**A47G 23/0633; A47G 23/06; A47G**  
**2019/2277; A45F 2003/205; B65D**  
**21/086; B65D 1/0292; Y10S 215/90**  
See application file for complete search history.

(56) **References Cited**

**U.S. PATENT DOCUMENTS**

4,138 A 8/1845 Pratt  
D32,283 S \* 2/1900 Farnan ..... D9/545

1,865,555 A 7/1932 Brown  
2,534,614 A 12/1950 Michael  
D176,487 S \* 12/1955 Sherman ..... D9/556  
2,816,548 A 12/1957 Tupper  
D188,074 S \* 5/1960 Wunderly ..... D9/500  
D192,827 S \* 5/1962 Denhoff ..... D9/502  
D202,002 S \* 8/1965 Douglas ..... D9/541  
D209,019 S \* 10/1967 Neese ..... D9/502  
D220,250 S \* 3/1971 Plummer ..... D9/556  
4,096,966 A 6/1978 Korshak  
4,243,156 A \* 1/1981 Lobbestael ..... B65D 47/10  
220/265  
4,303,170 A 12/1981 Panicci  
4,756,440 A 7/1988 Gartner  
D309,261 S \* 7/1990 Weckman ..... D9/556  
D316,968 S \* 5/1991 York ..... D9/434  
5,079,013 A 1/1992 Belanger

(Continued)

*Primary Examiner* — Marianne Pandozzi  
*Assistant Examiner* — Jae Liang  
(74) *Attorney, Agent, or Firm* — Muskin & Farmer LLC

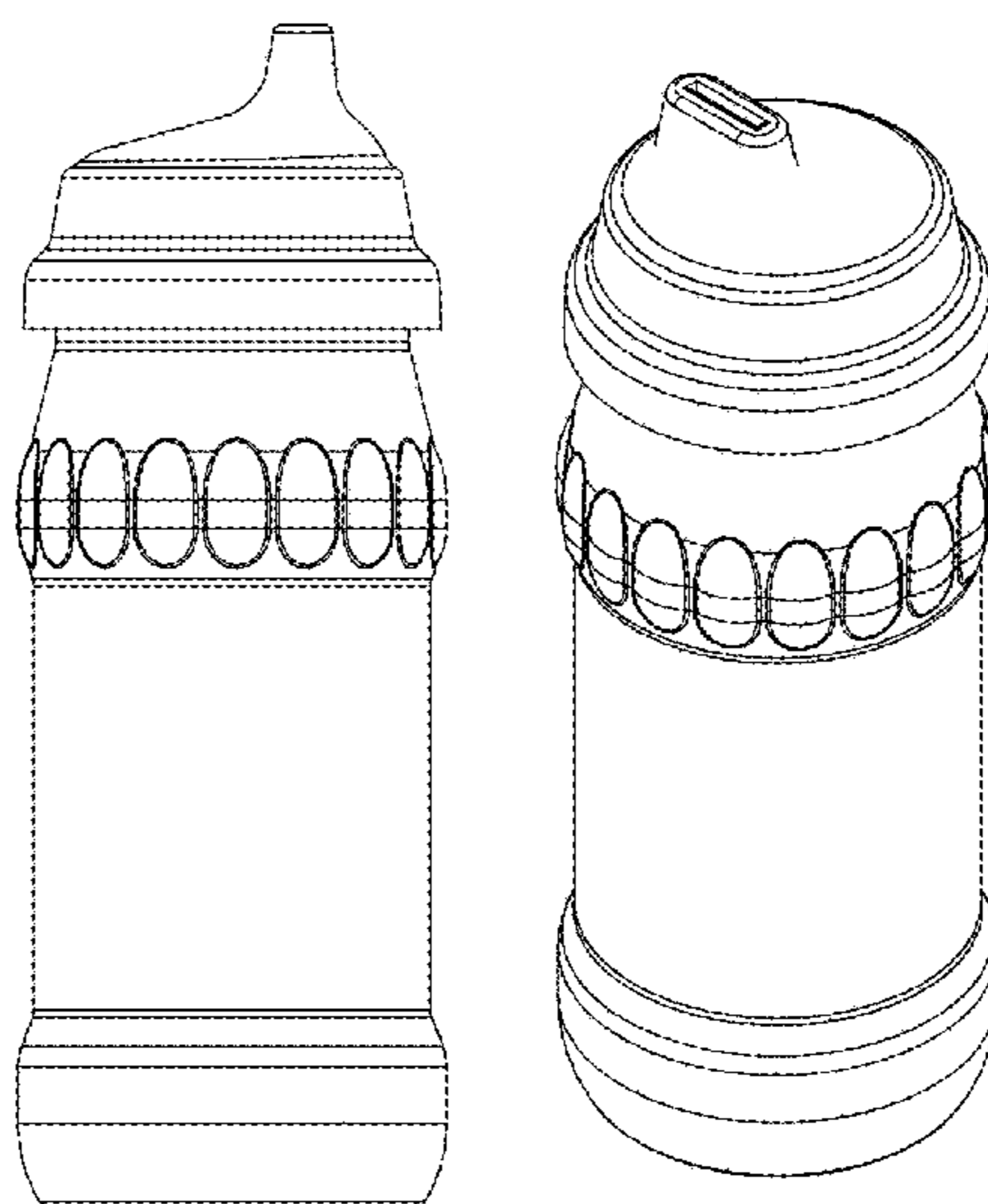
(57) **CLAIM**

The ornamental design for a bottle, as shown and described.

**DESCRIPTION**

FIG. 1 is a right side view of a bottle showing our new design;  
FIG. 2 is a rear view of the bottle;  
FIG. 3 is a left side view of the bottle;  
FIG. 4 is a front view of the bottle;  
FIG. 5 is a bottom view of the bottle;  
FIG. 6 is a first bottom perspective view of the bottle;  
FIG. 7 is a first top perspective view of the bottle;  
FIG. 8 is a second top perspective view of the bottle;  
FIG. 9 is a second bottom perspective view of the bottle;  
and,  
FIG. 10 is a top view of the bottle.

**1 Claim, 2 Drawing Sheets**



(56)

References Cited

U.S. PATENT DOCUMENTS

5,114,374 A \* 5/1992 Estiva ..... A61J 9/00  
215/11.1  
D369,552 S \* 5/1996 Lam ..... D9/538  
D387,247 S \* 12/1997 Randolph ..... D7/510  
D445,036 S \* 7/2001 Goettner ..... D9/538  
D450,246 S \* 11/2001 Heisel ..... D9/530  
D466,024 S \* 11/2002 Thierjung ..... D9/516  
D466,817 S \* 12/2002 Thierjung ..... D9/538  
7,296,702 B2 \* 11/2007 Tanaka ..... B65D 23/0878  
215/379  
D561,522 S \* 2/2008 Gordon ..... D7/392  
D568,753 S \* 5/2008 Woolf ..... D9/516  
D579,721 S \* 11/2008 Qian ..... D7/507  
D635,458 S \* 4/2011 Braun ..... D9/516  
8,016,146 B2 \* 9/2011 Rekstad ..... B65D 47/06  
215/260  
D669,787 S \* 10/2012 Braun ..... D9/538  
8,540,112 B2 9/2013 Connors  
D704,902 S \* 5/2014 Wu ..... D30/129  
D713,671 S \* 9/2014 De Leo ..... D7/392.1  
D717,107 S \* 11/2014 Dunn ..... D7/396.2  
D721,965 S \* 2/2015 Lindstrom ..... D9/500  
D747,145 S \* 1/2016 Struckmeier ..... D7/510  
2002/0158038 A1 \* 10/2002 Heisel ..... B65D 1/40  
215/382

\* cited by examiner

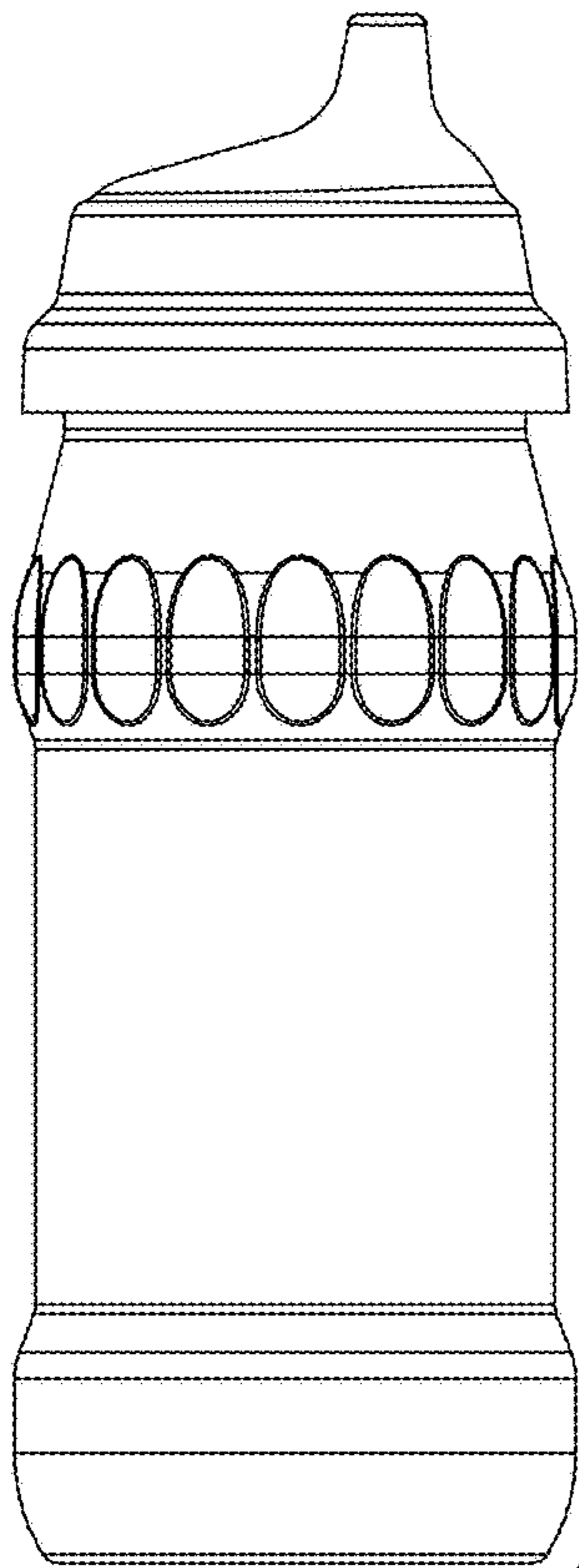


FIG. 1

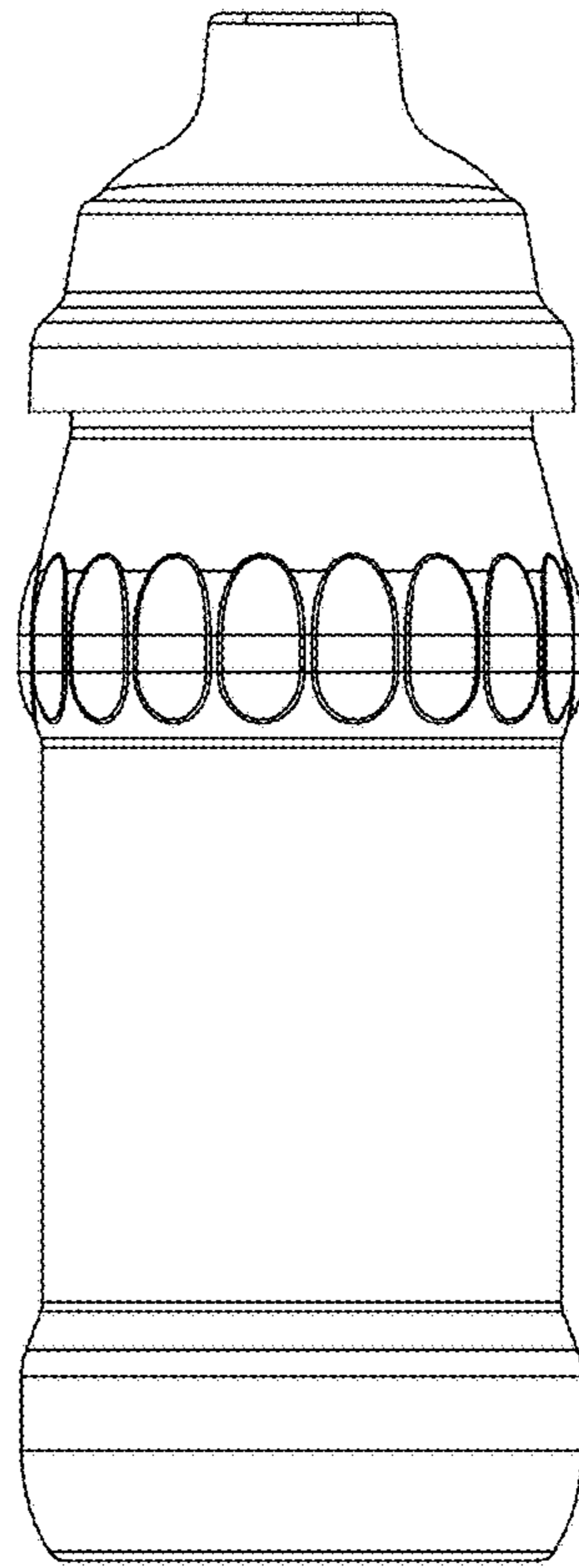


FIG. 2

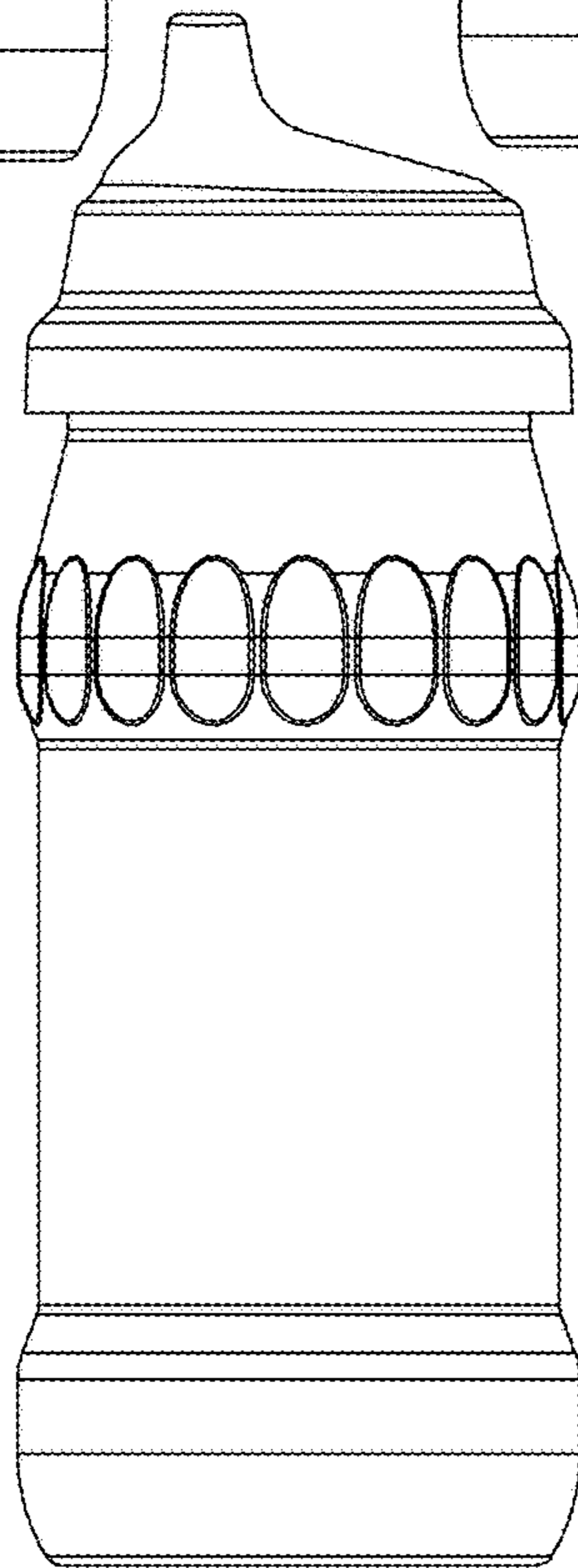


FIG. 3

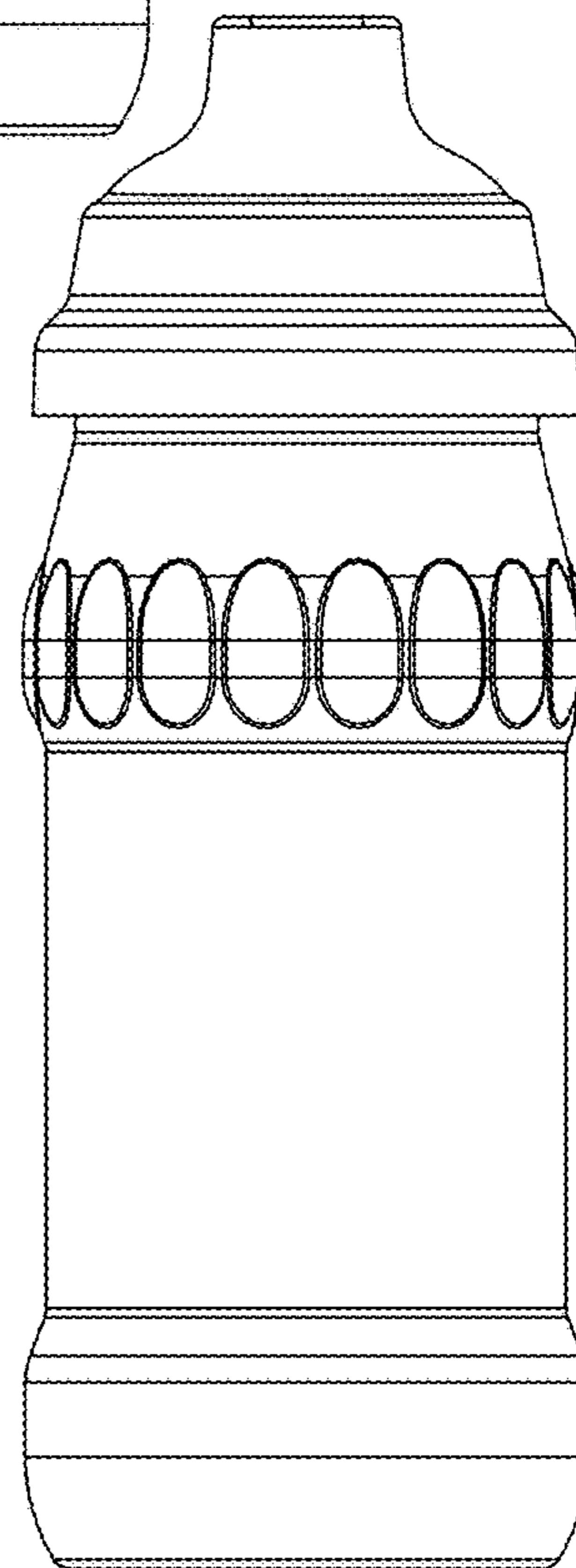


FIG. 4

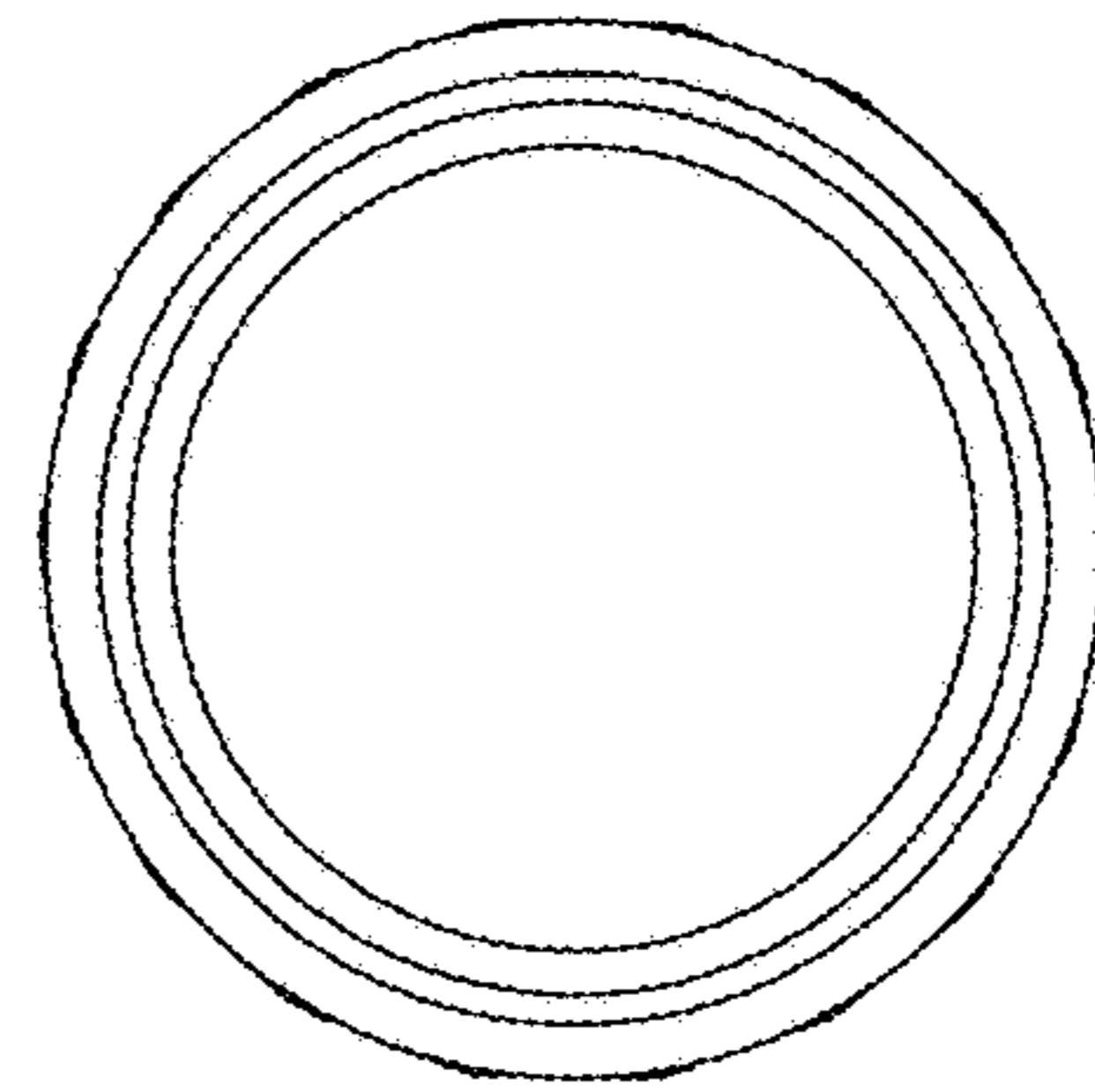


FIG. 5

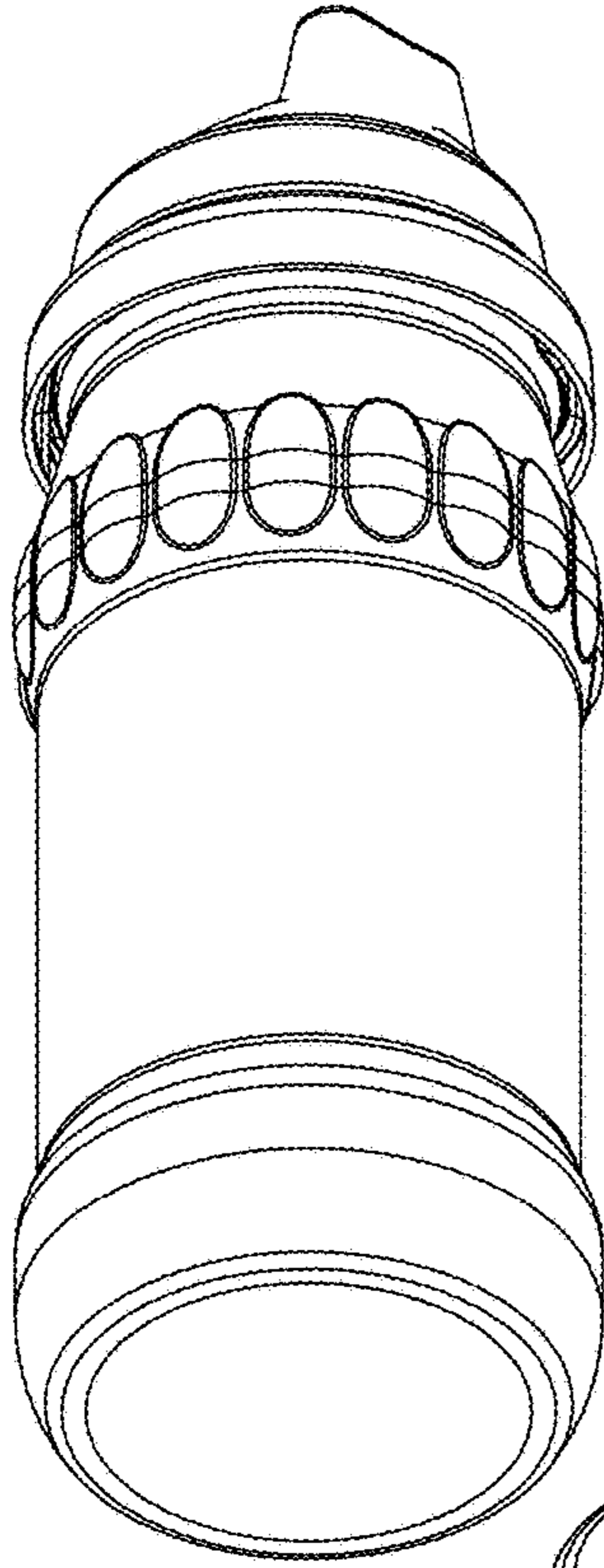


FIG. 6

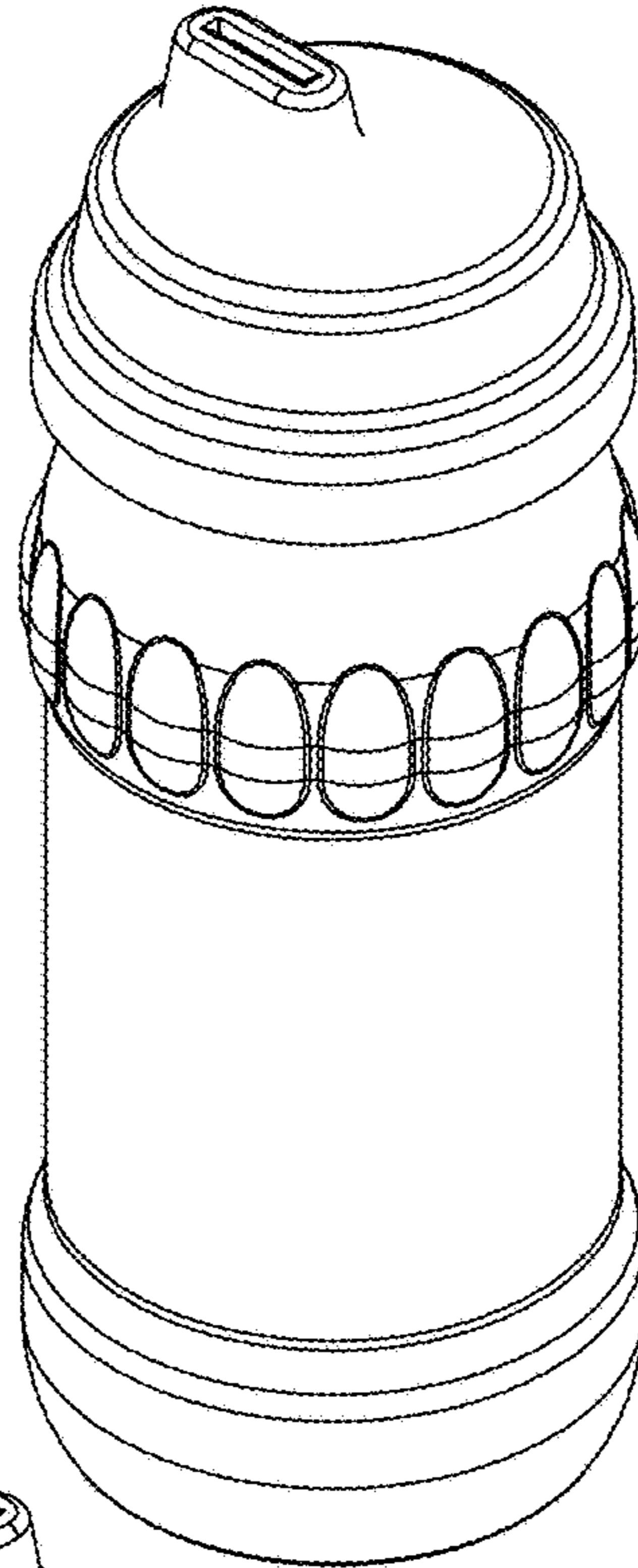


FIG. 7

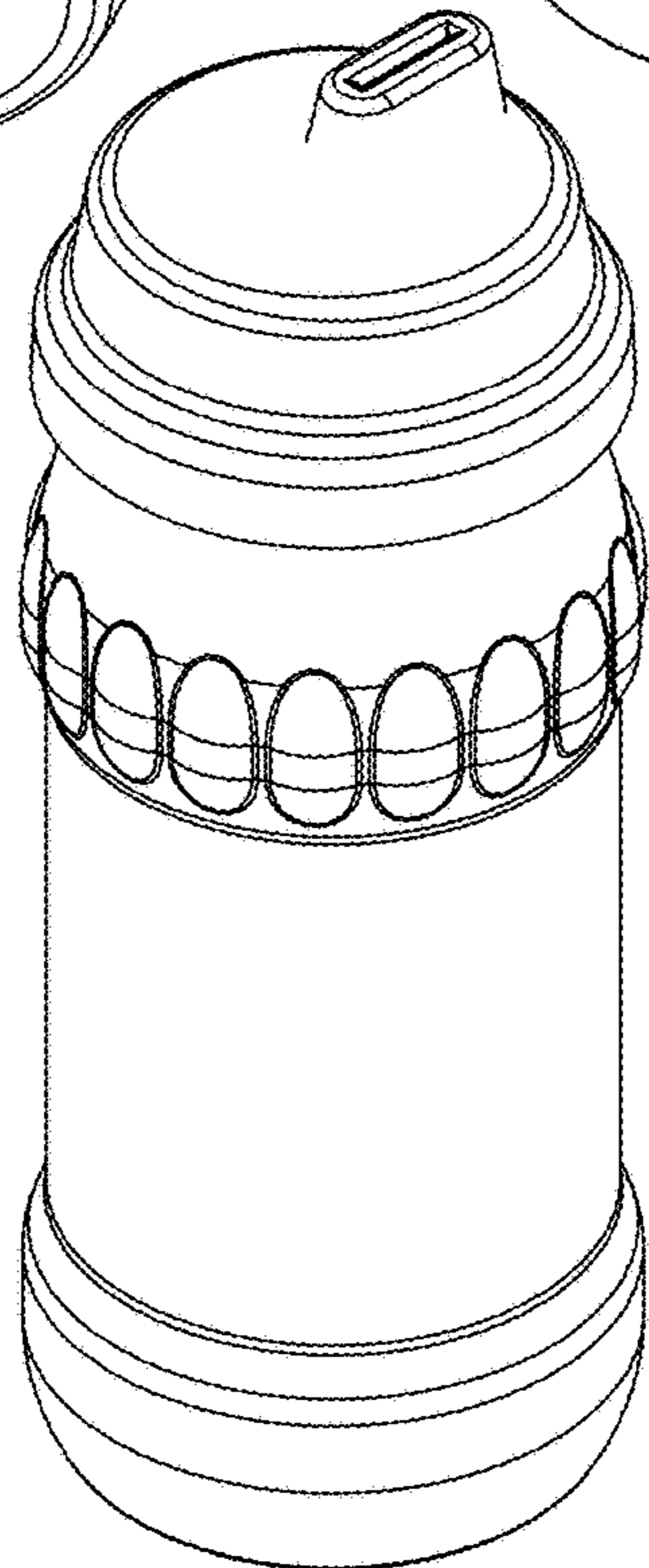


FIG. 8

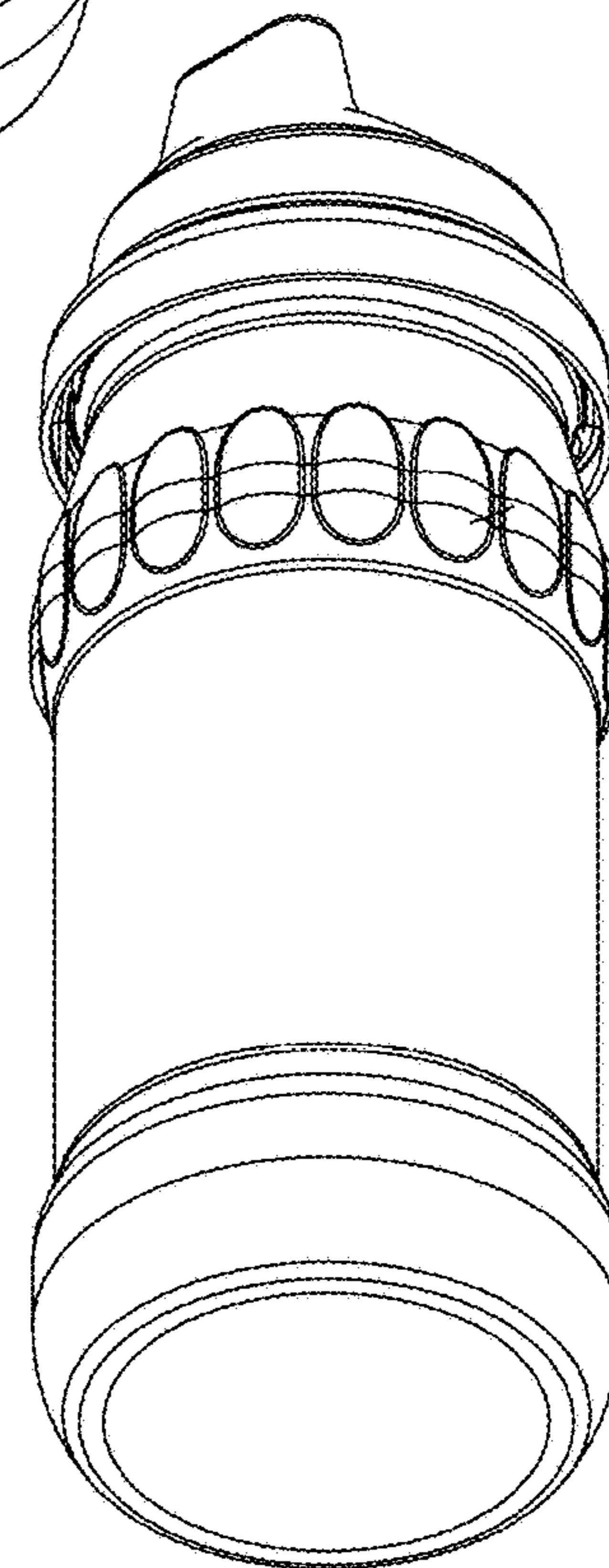


FIG. 9

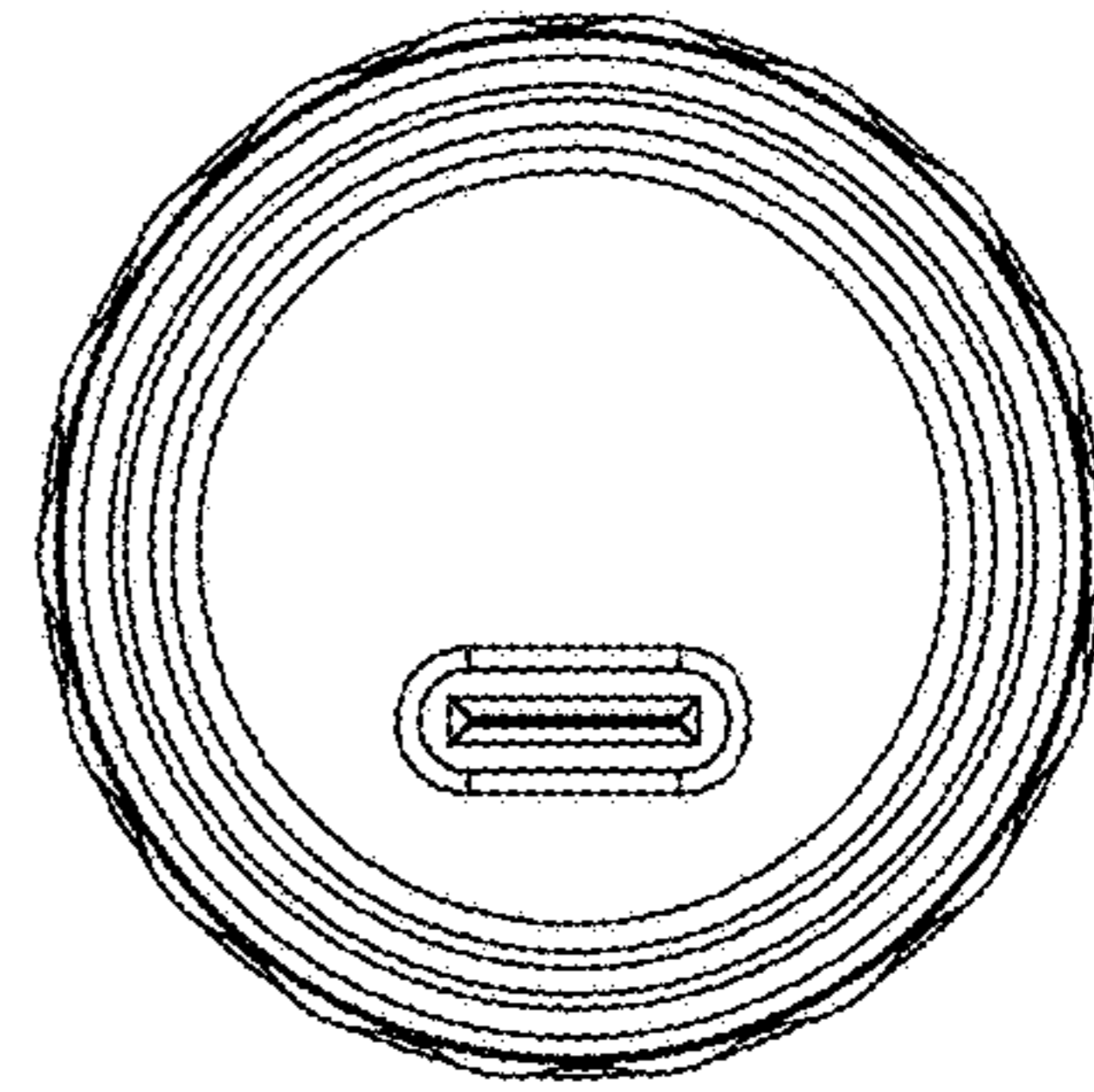


FIG. 10