



US00D784764S

(12) **United States Design Patent**
Yao

(10) **Patent No.:** **US D784,764 S**
(45) **Date of Patent:** **** Apr. 25, 2017**

(54) **DOUBLE WALL BOTTLE WITH BITE VALVE**

(71) Applicant: **Hangzhou Everich Houseware Co., Ltd.**, Hangzhou, Zhejiang (CN)

(72) Inventor: **Huajun Yao**, Zhejiang (CN)

(73) Assignee: **HANGZHOU EVERICH HOUSEWARE CO., LTD.**, Hangzhou, Zhejiang (CN)

(**) Term: **15 Years**

(21) Appl. No.: **29/532,776**

(22) Filed: **Jul. 9, 2015**

(51) **LOC (10) Cl.** **07-01**

(52) **U.S. Cl.**
USPC **D7/510; D7/511; D7/523**

(58) **Field of Classification Search**
USPC D7/507, 509, 510, 511, 523, 532, 533, D7/536, 300.1, 598, 608, 396.6, 624.2, D7/607, 629, 317, 305; D9/500, 501, D9/503, 504, 517, 523, 526, 434, 435, D9/436, 440, 447, 905, 903; D3/202; D24/197; 220/592.16, 592.17, 592.2, 220/4.21; 206/205; 210/474, 475, 476; 99/322, 323, 495, 303
CPC A47G 19/2211; A47G 19/22; A47G 19/2266; A47G 19/2272; A47J 43/27; Y10S 220/903

See application file for complete search history.

(56) **References Cited**

U.S. PATENT DOCUMENTS

1,954,369 A * 4/1934 Solomon A47J 43/27
215/6
5,242,079 A * 9/1993 Stephens A47G 19/2266
215/229

D351,761 S * 10/1994 Feer D7/510
D387,621 S * 12/1997 Sullivan D7/510
5,873,478 A * 2/1999 Sullivan A47G 19/2266
215/389
D447,693 S * 9/2001 Warner D9/450
D546,625 S * 7/2007 Gluck D7/509
D547,122 S * 7/2007 Gluck D7/509
D618,964 S * 7/2010 Eisenhardt D7/509
D628,857 S * 12/2010 Tatsukawa D7/608
8,672,174 B1 * 3/2014 McMullin A47G 21/18
215/229
D721,250 S * 1/2015 Chen D7/510

* cited by examiner

Primary Examiner — Marianne Pandozzi

Assistant Examiner — Jae Liang

(74) *Attorney, Agent, or Firm* — Global IP Services; Tianhua Gu

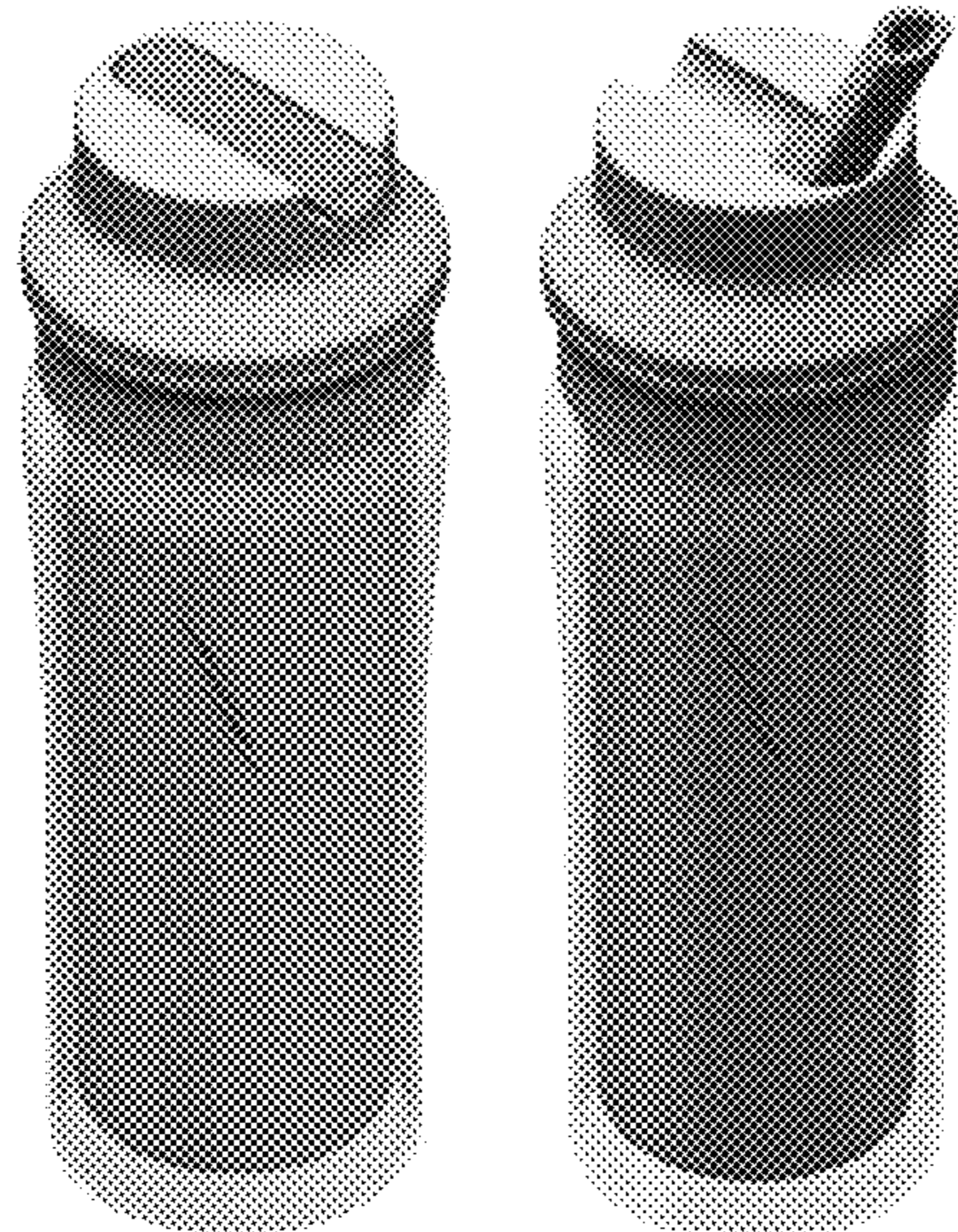
(57) **CLAIM**

The ornamental design for a double wall bottle with bite valve, as shown and described.

DESCRIPTION

FIG. 1 is a front elevational view of a double wall bottle with bite valve showing my new design;
FIG. 2 is a rear elevational view thereof;
FIG. 3 is a left side elevational view thereof;
FIG. 4 is a right side elevational view thereof;
FIG. 5 is a top plan view thereof;
FIG. 6 is a bottom plan view thereof;
FIG. 7 is a left side perspective view thereof;
FIG. 8 is a left side perspective view thereof with the bite valve in its open position;
FIG. 9 is a bottom left side perspective view of FIG. 1; and,
FIG. 10 is a bottom right side perspective view of FIG. 1.

1 Claim, 5 Drawing Sheets



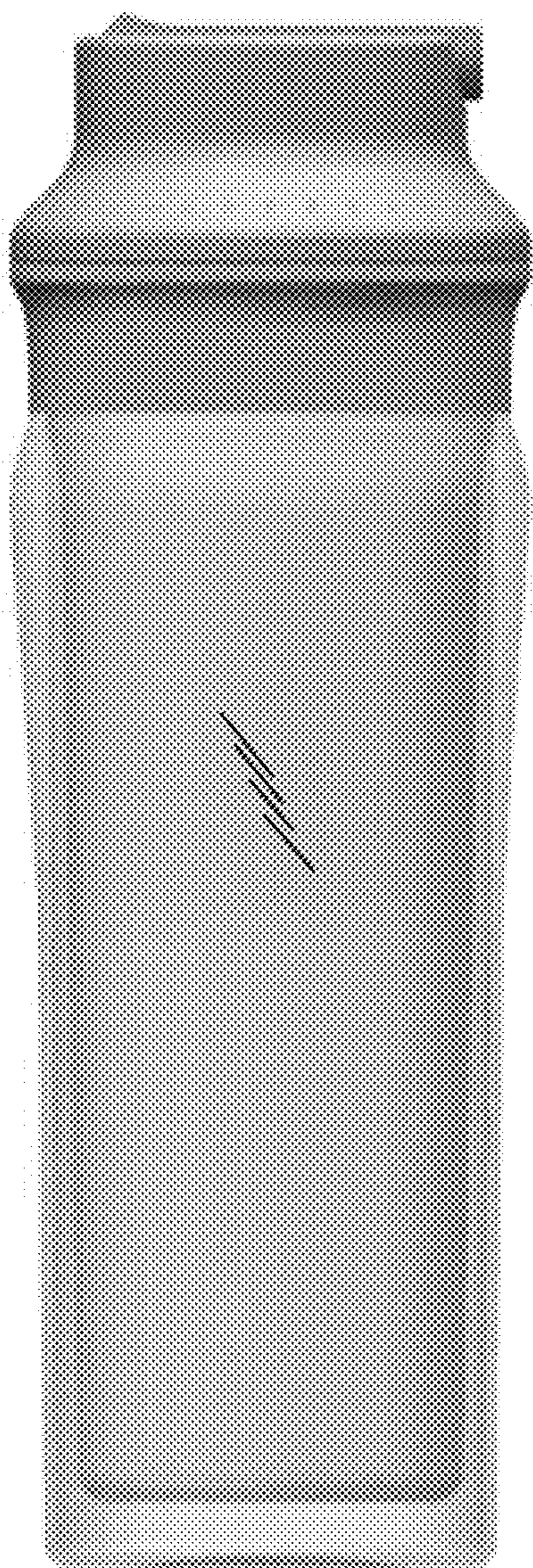


Fig. 1

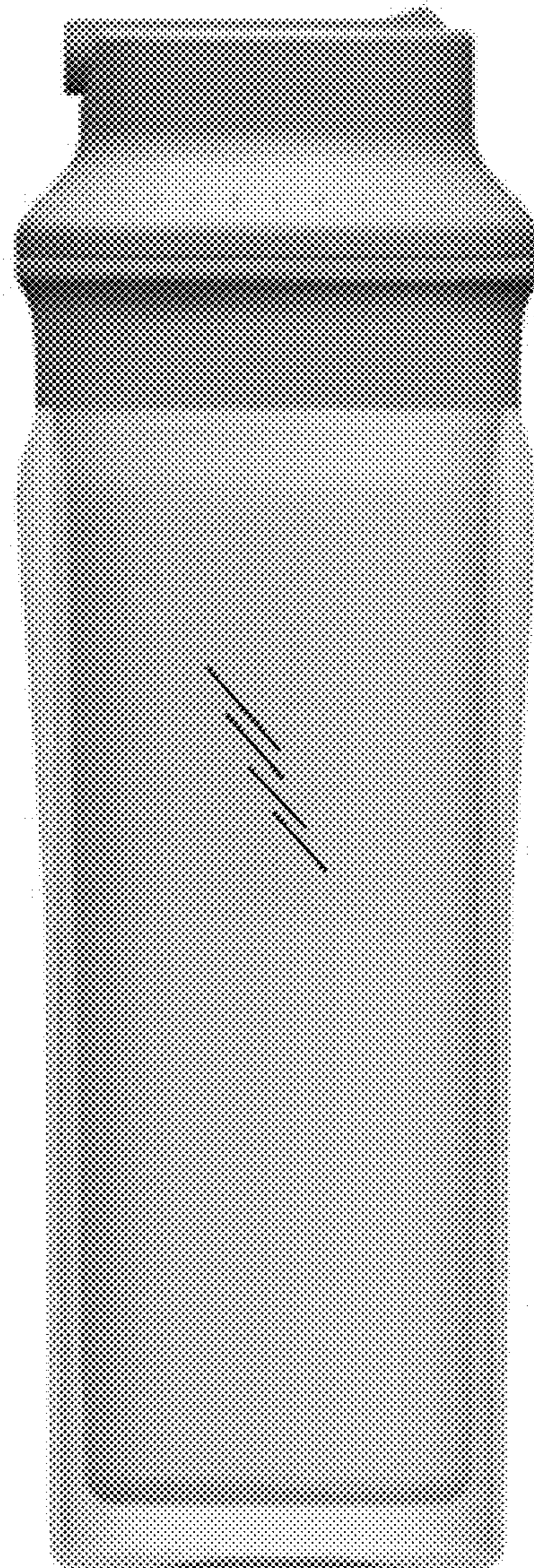


Fig. 2

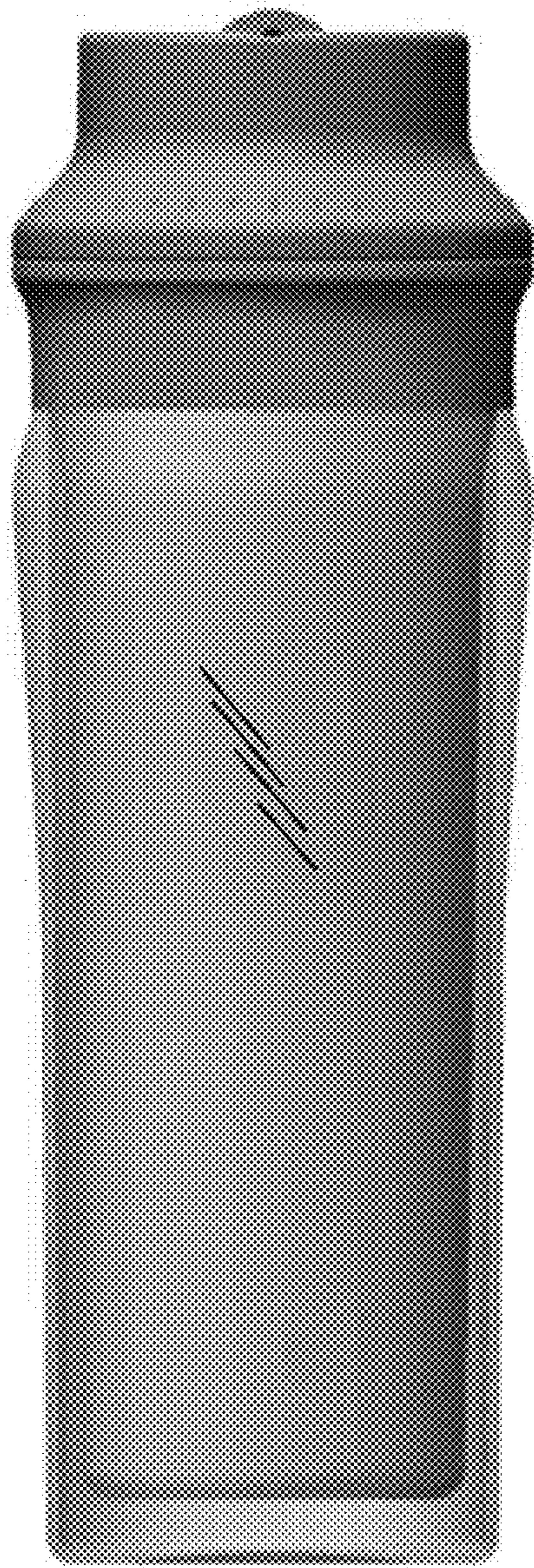


Fig. 3

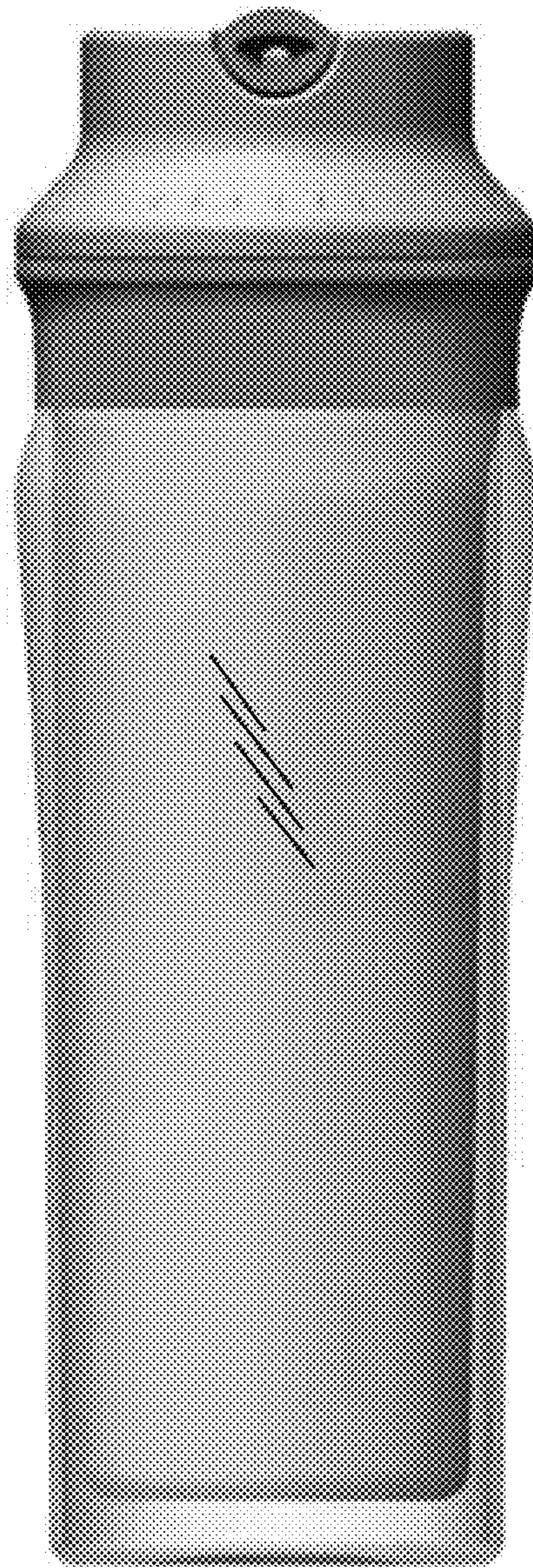


Fig. 4



Fig. 5

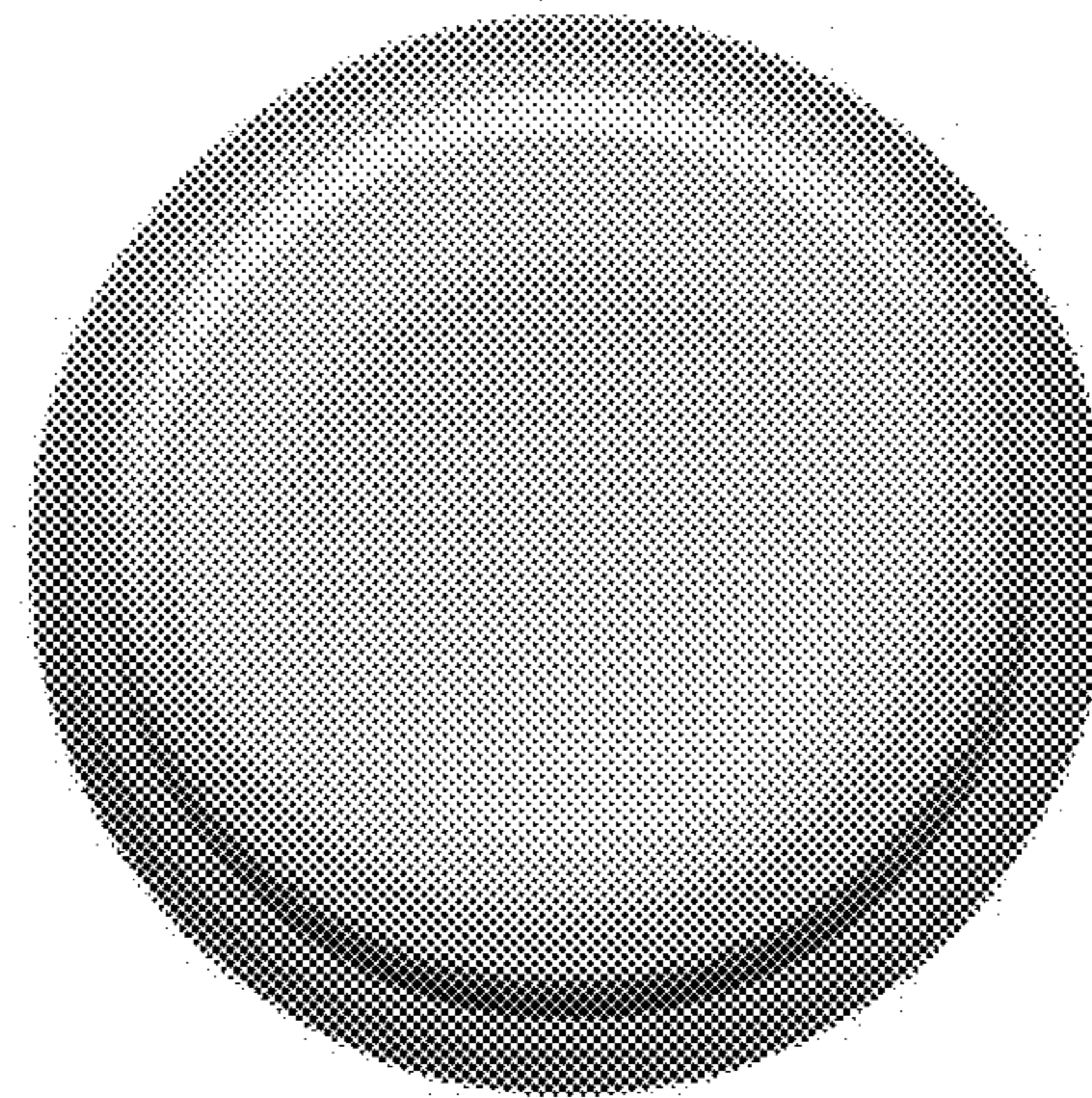


Fig. 6

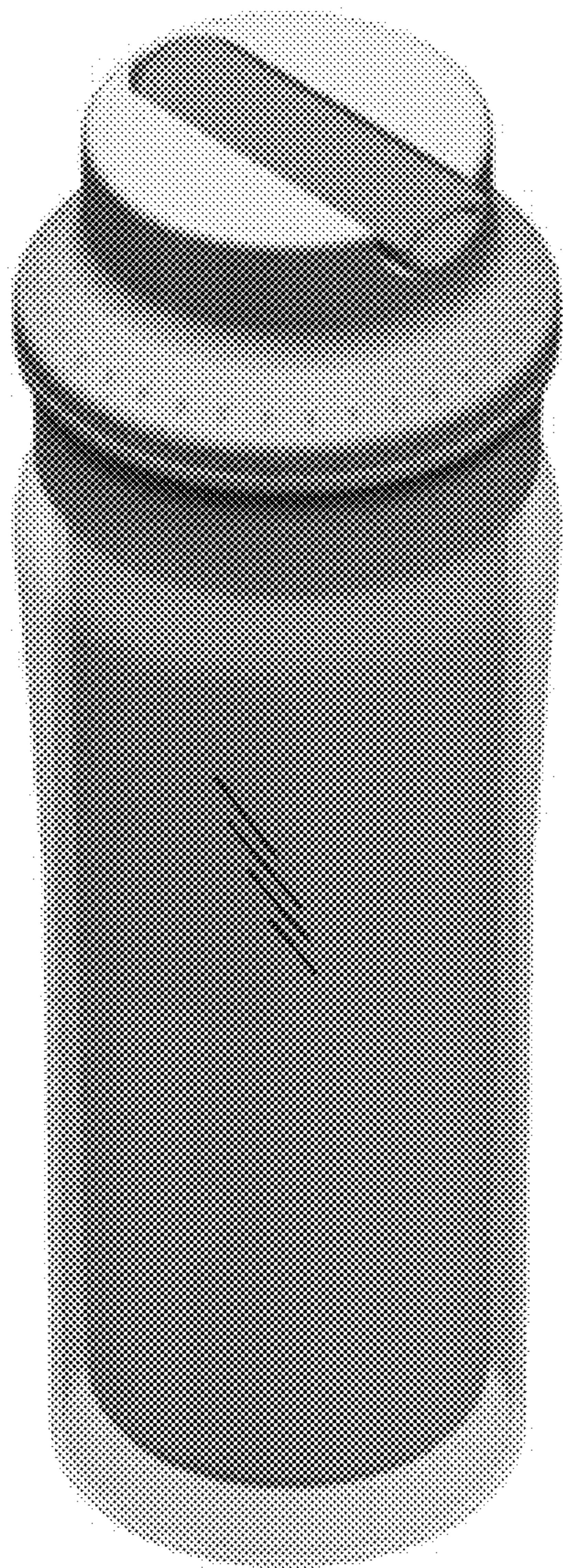


Fig. 7



Fig. 8

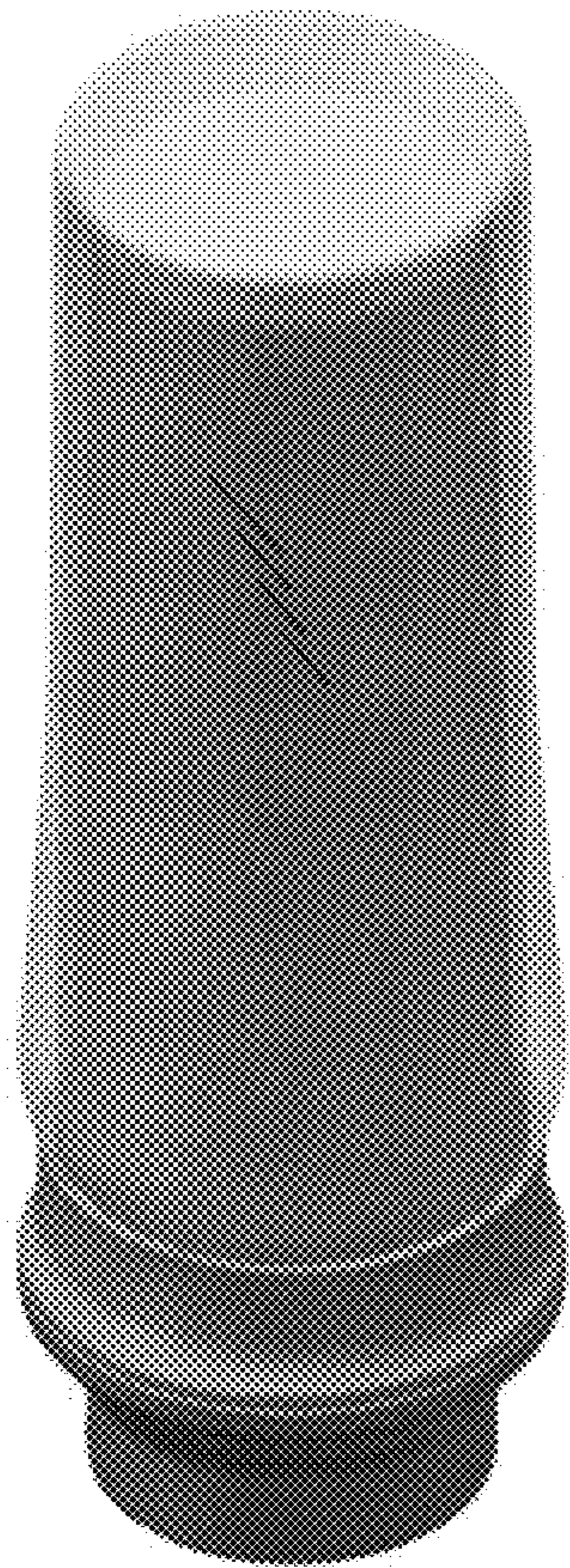


Fig. 9

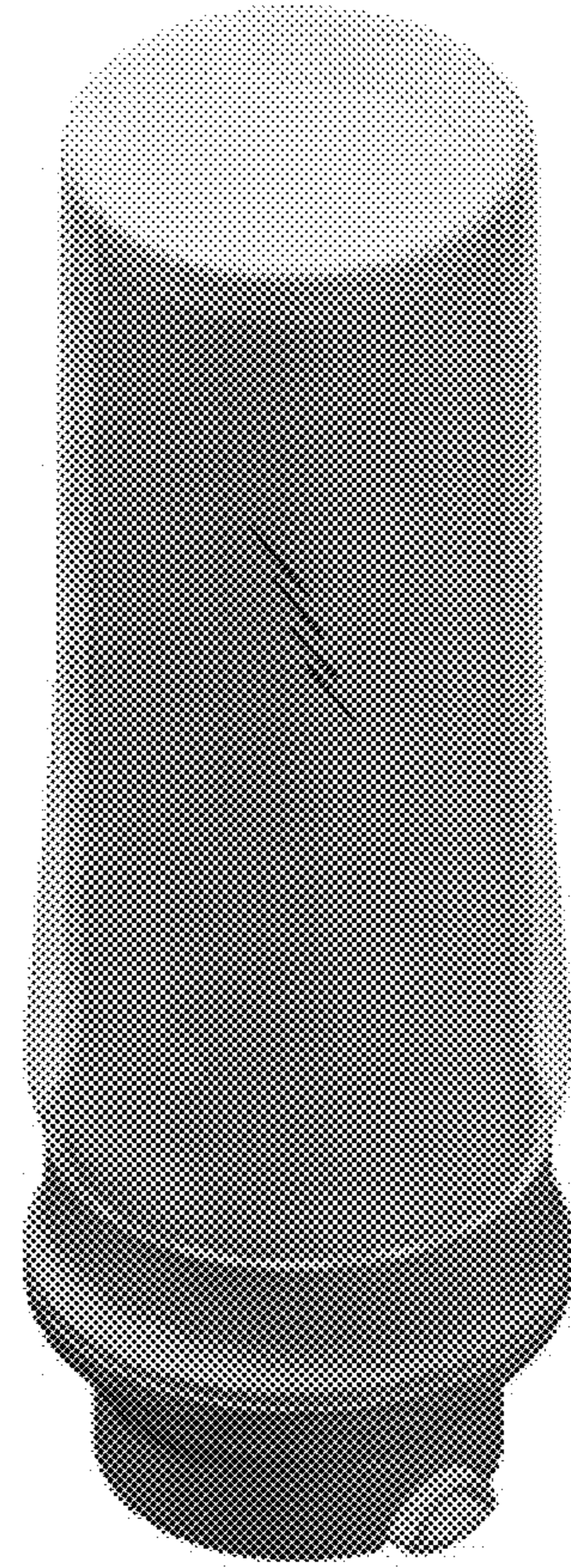


Fig. 10