



US00D784762S

(12) **United States Design Patent** (10) **Patent No.:** **US D784,762 S**
Goodman et al. (45) **Date of Patent:** **** Apr. 25, 2017**

(54) **TWO-TIER SERVER**

(71) Applicant: **Spectrum Diversified Designs, LLC**,
Streetsboro, OH (US)

(72) Inventors: **Aaron D. Goodman**, Beachwood, OH
(US); **Phaysouk Xayoiphonh**, Akron,
OH (US); **Wenyue Wang**, Stow, OH
(US)

(73) Assignee: **Spectrum Diversified Designs, LLC**,
Streetsboro, OH (US)

(**) Term: **15 Years**

(21) Appl. No.: **29/555,743**

(22) Filed: **Feb. 24, 2016**

(51) **LOC (10) Cl.** **07-01**

(52) **U.S. Cl.**
USPC **D7/500**

(58) **Field of Classification Search**

USPC ... D7/601, 704, 600.1–600.4, 584–587, 500,
D7/501; D3/304, 306; D6/676.5, 677.5,
D6/678, 678.4, 680.3; D19/76
CPC A47F 7/0071; A47F 7/00; A47F 7/022;
A47F 5/01; A47F 7/02; A47F 5/00; A47F
5/08; A47F 5/14; A47L 19/04; F16M
11/10; F16M 13/00; A47B 75/00; B65D
7/20; B65D 7/26; B65D 7/14; A47D
15/00; A47D 19/04

See application file for complete search history.

(56) **References Cited**

U.S. PATENT DOCUMENTS

D561,539 S *	2/2008	Snider	D7/600.2
D569,691 S *	5/2008	Goodman	D7/601
D620,711 S *	8/2010	Hertaus	D3/306
D664,006 S *	7/2012	Goodman	D7/601
D664,007 S *	7/2012	Goodman	D7/601
D670,971 S *	11/2012	Goodman	D7/601
D671,371 S *	11/2012	Goodman	D7/601
D698,204 S *	1/2014	Goodman	D7/601

* cited by examiner

Primary Examiner — Terry Wallace

(74) *Attorney, Agent, or Firm* — Benesch, Friedlander,
Coplan & Aronoff LLP

(57) **CLAIM**

The ornamental design for a two-tier server, as shown and described.

DESCRIPTION

FIG. 1 is a perspective view of a two-tier server a new design;

FIG. 2 is a front view of the two-tier server of FIG. 1;

FIG. 3 is a rear view of the two-tier server of FIG. 1;

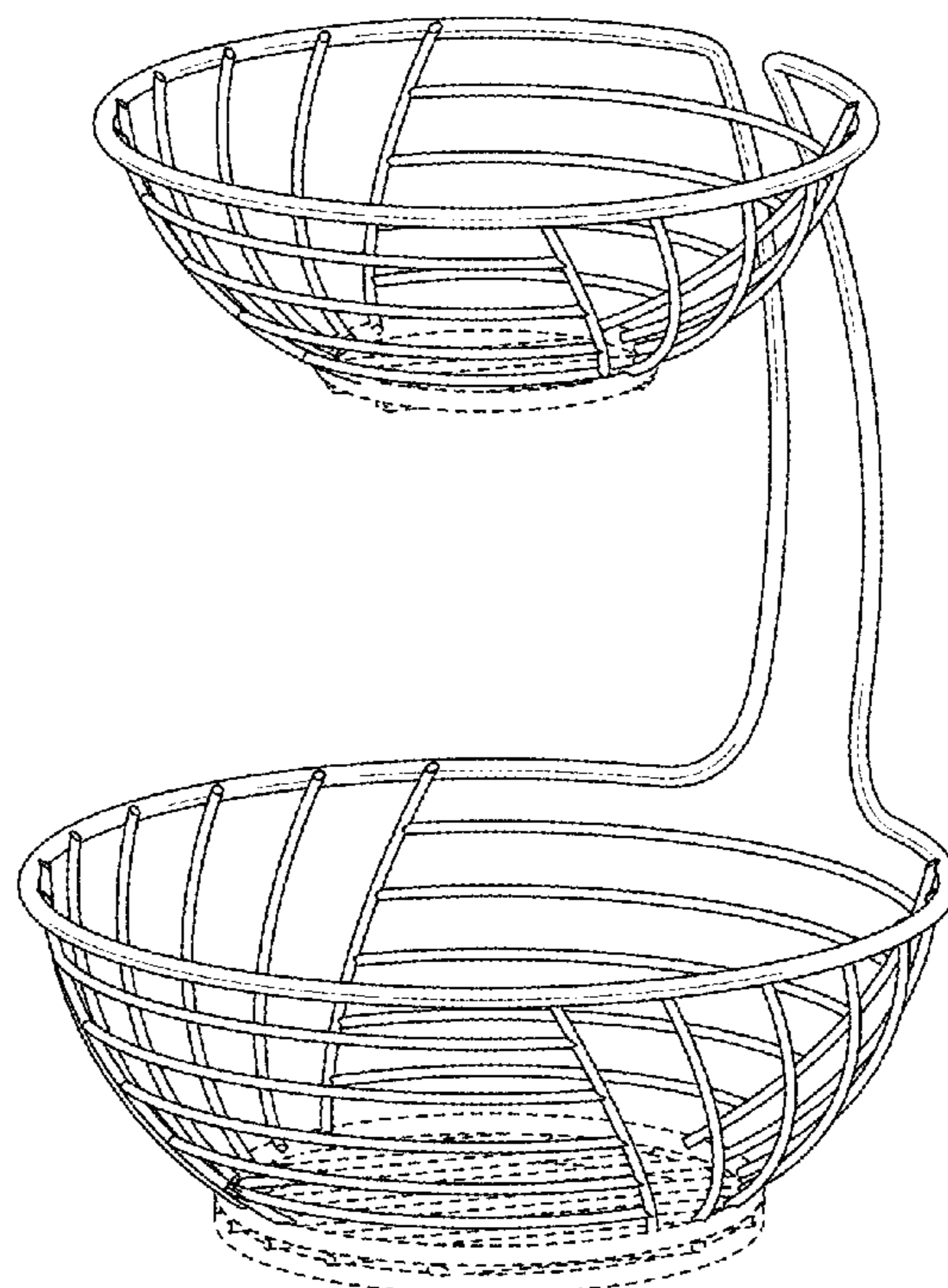
FIG. 4 is a side view of the two-tier server of FIG. 1;

FIG. 5 is a top view of the two-tier server of FIG. 1; and,

FIG. 6 is a bottom view of the two-tier server of FIG. 1.

The components of the display shown in broken lines illustrate portions of the two-tier server form no part of the claimed design.

1 Claim, 4 Drawing Sheets



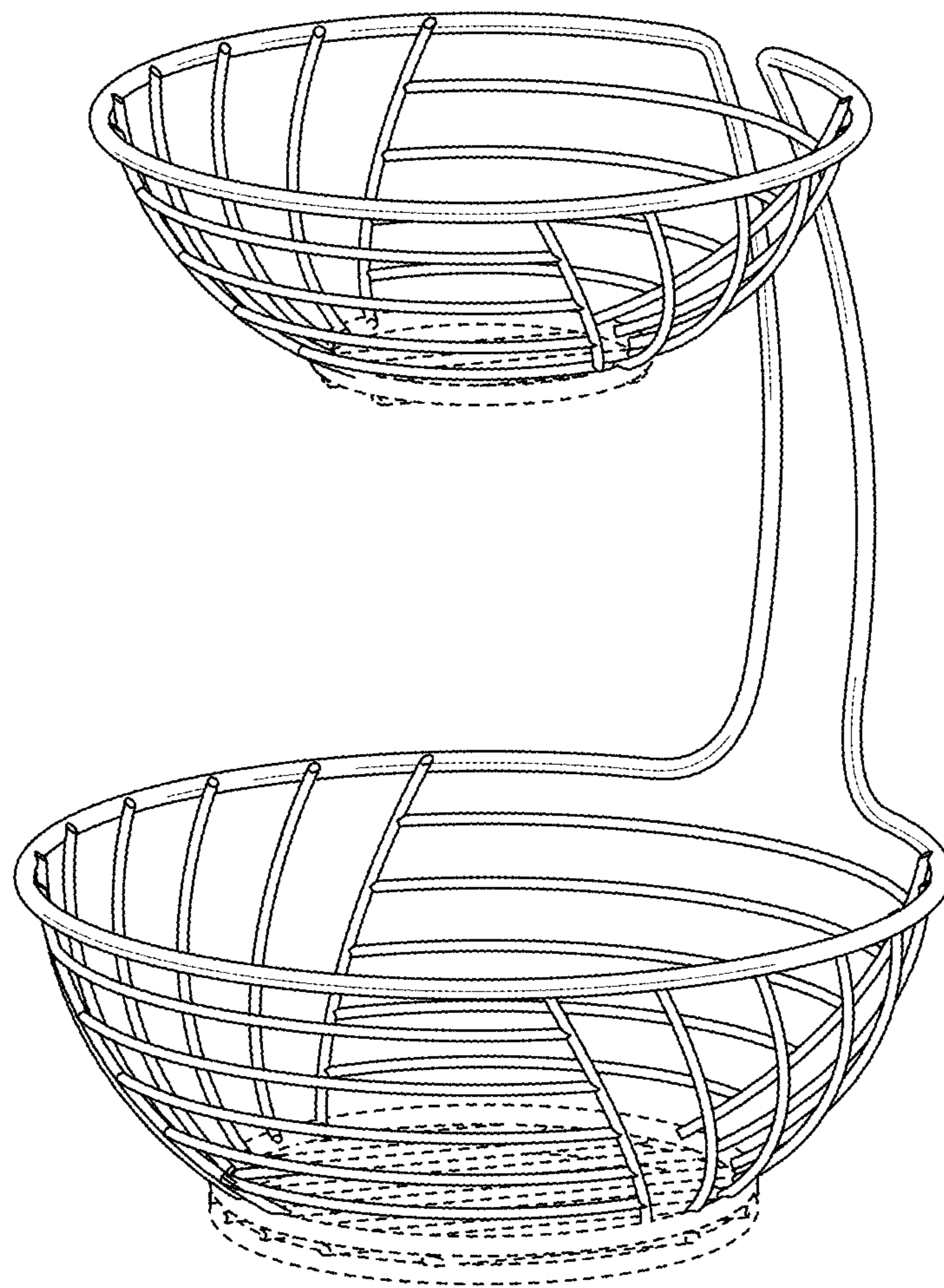


FIG. 1

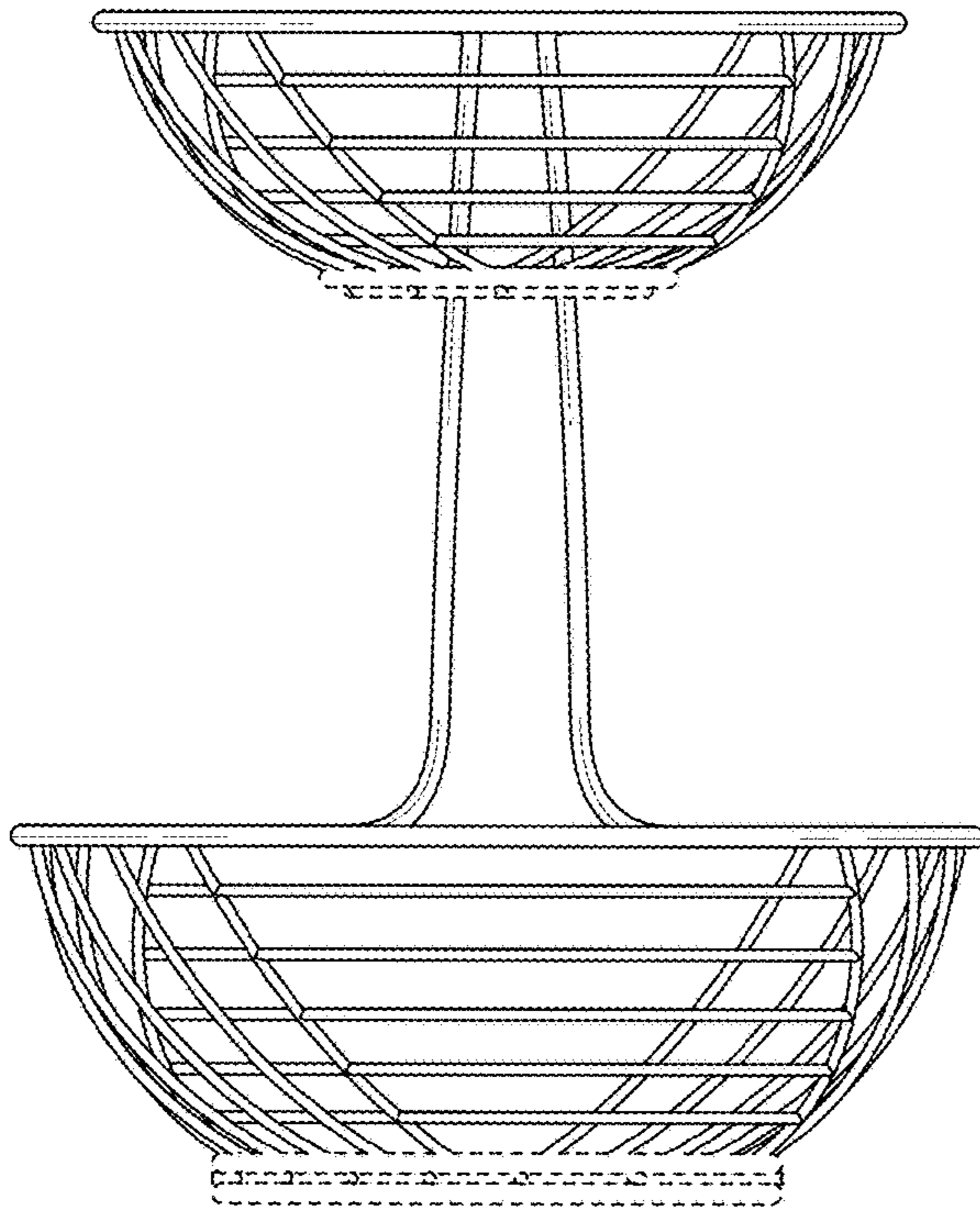


FIG. 2

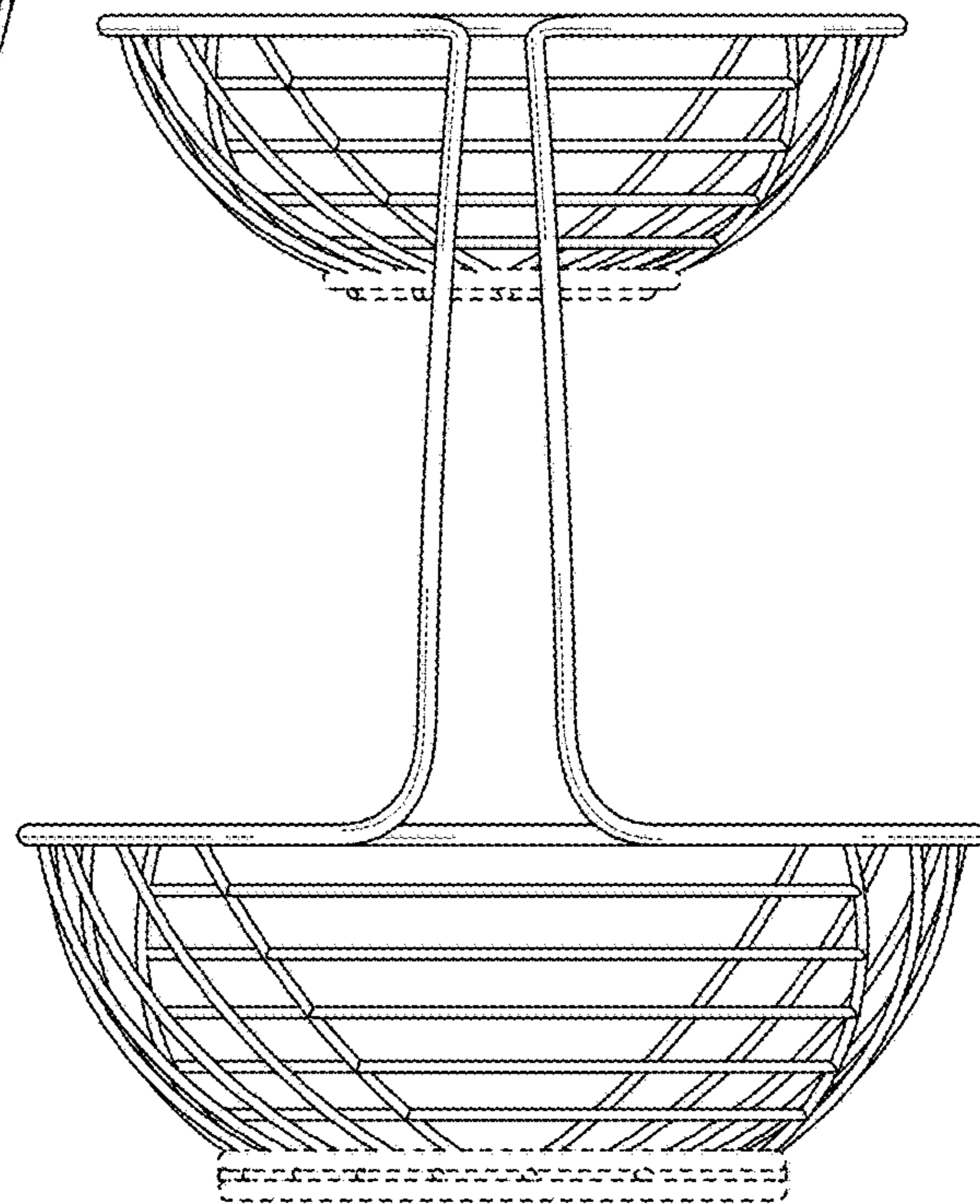


FIG. 3

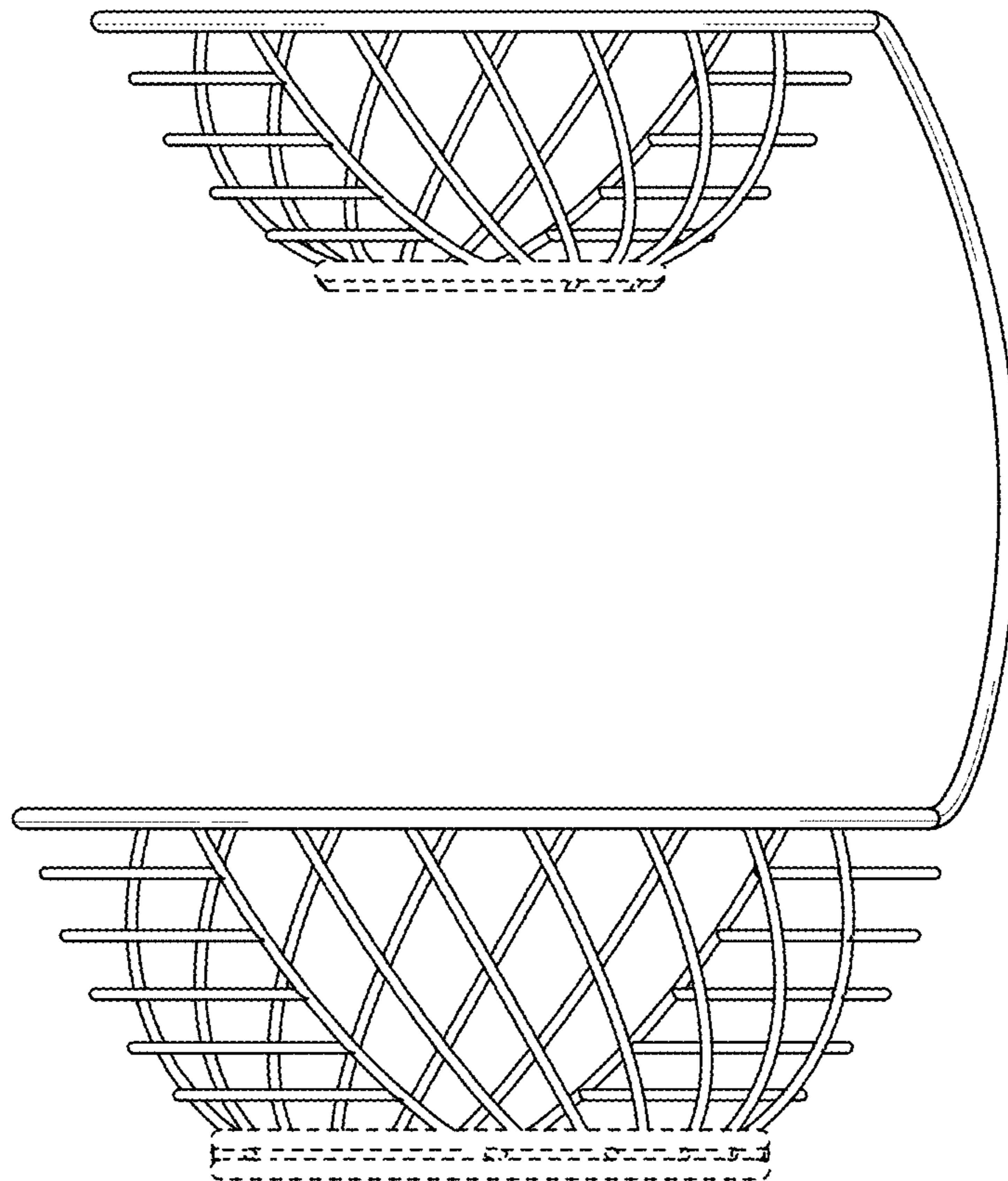


FIG. 4

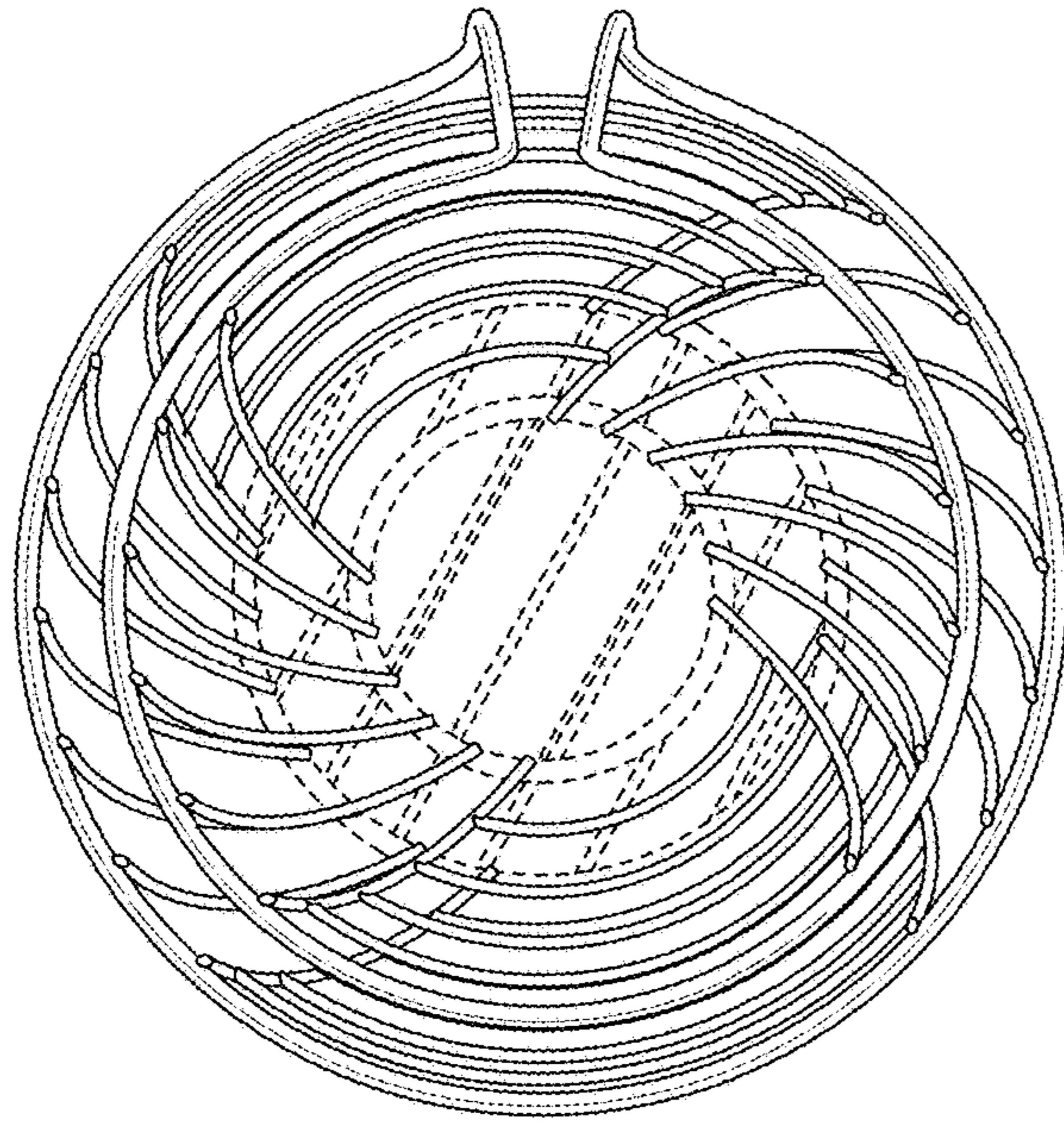


FIG. 5

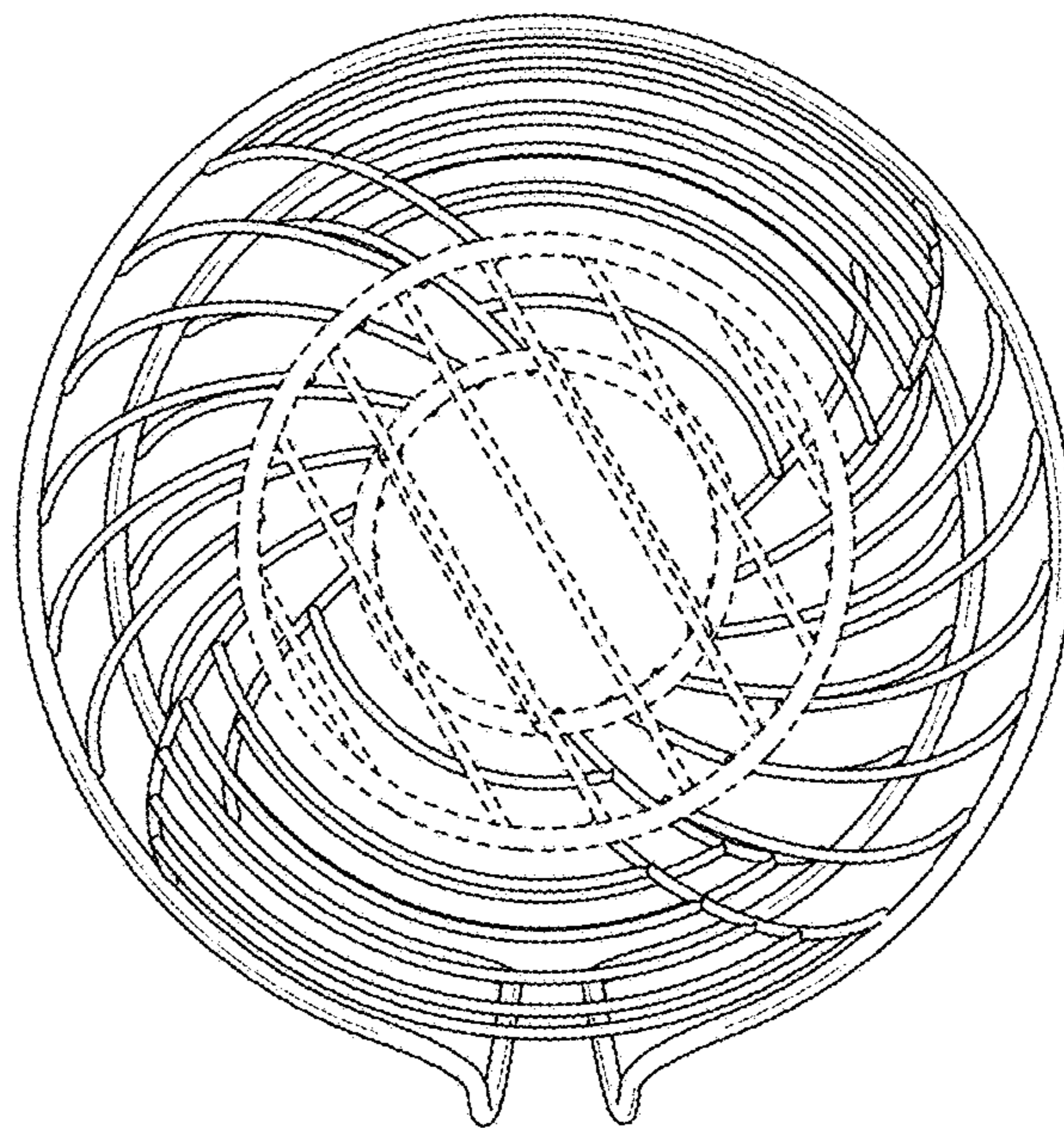


FIG. 6