



US00D784761S

(12) **United States Design Patent** (10) **Patent No.:** **US D784,761 S**
Tu (45) **Date of Patent:** **** Apr. 25, 2017**

(54) **BLENDER CONTAINER**
(71) Applicant: **SharkNinja Operating LLC**, Newton, MA (US)
(72) Inventor: **Joyce Tu**, Arlington, MA (US)
(73) Assignee: **SHARKNINJA OPERATING LLC**, Newton, MA (US)
(**) Term: **15 Years**

D647,367 S * 10/2011 Audette D7/376
D647,368 S * 10/2011 Audette D7/376
D661,947 S * 6/2012 Conti D7/376
D662,359 S * 6/2012 Boozer D7/376
D678,726 S * 3/2013 Palermo D7/376
D705,606 S * 5/2014 Coakley D7/376
D715,602 S 10/2014 Schillheim
D730,683 S * 6/2015 Tu D7/376
D742,172 S * 11/2015 Dickson, Jr. D7/376
2007/0144326 A1 6/2007 De Buyer
2012/0024993 A1* 2/2012 Audette A47J 43/0777
241/30
2014/0165408 A1 6/2014 Schillheim

(21) Appl. No.: **29/532,039**

FOREIGN PATENT DOCUMENTS

(22) Filed: **Jul. 1, 2015**

JP S55175095 U 12/1980

(51) **LOC (10) Cl.** **31-00**

(52) **U.S. Cl.**

OTHER PUBLICATIONS

USPC **D7/413**; D7/376; D7/378; D7/412

International Search Report; International Application No. PCT/US2016/034287; International Filing Date: May 26, 2016; Date of Mailing: Jul. 18, 2016; 5 Pages.

(58) **Field of Classification Search**

USPC D7/372, 376-386, 412-413, 602, 629, D7/665-666, 669, 679, 693-694

(Continued)

CPC A21C 1/02; A21C 1/04; A23N 1/00; A23N 1/02; A47J 43/04; A47J 43/25; A47J 43/27; A47J 43/042; A47J 43/044; A47J 43/046; A47J 43/075; A47J 43/0722; A47J 43/0727; A47J 43/0777; B01F 3/00; B01F 3/0807; B01F 3/0853; B01F 13/0059; B01F 13/0064; B02C 1/08; B02C 2/04; B02C 4/42; B02C 4/142; B02C 4/143; B02C 4/423; B02C 13/1835; B28C 5/10; B28C 5/12; B28C 5/14; B28C 5/16

Primary Examiner — Ricky Pham
(74) *Attorney, Agent, or Firm* — Cantor Colburn LLP

(57) **CLAIM**

The ornamental design for a blender container, as shown and described.

See application file for complete search history.

DESCRIPTION

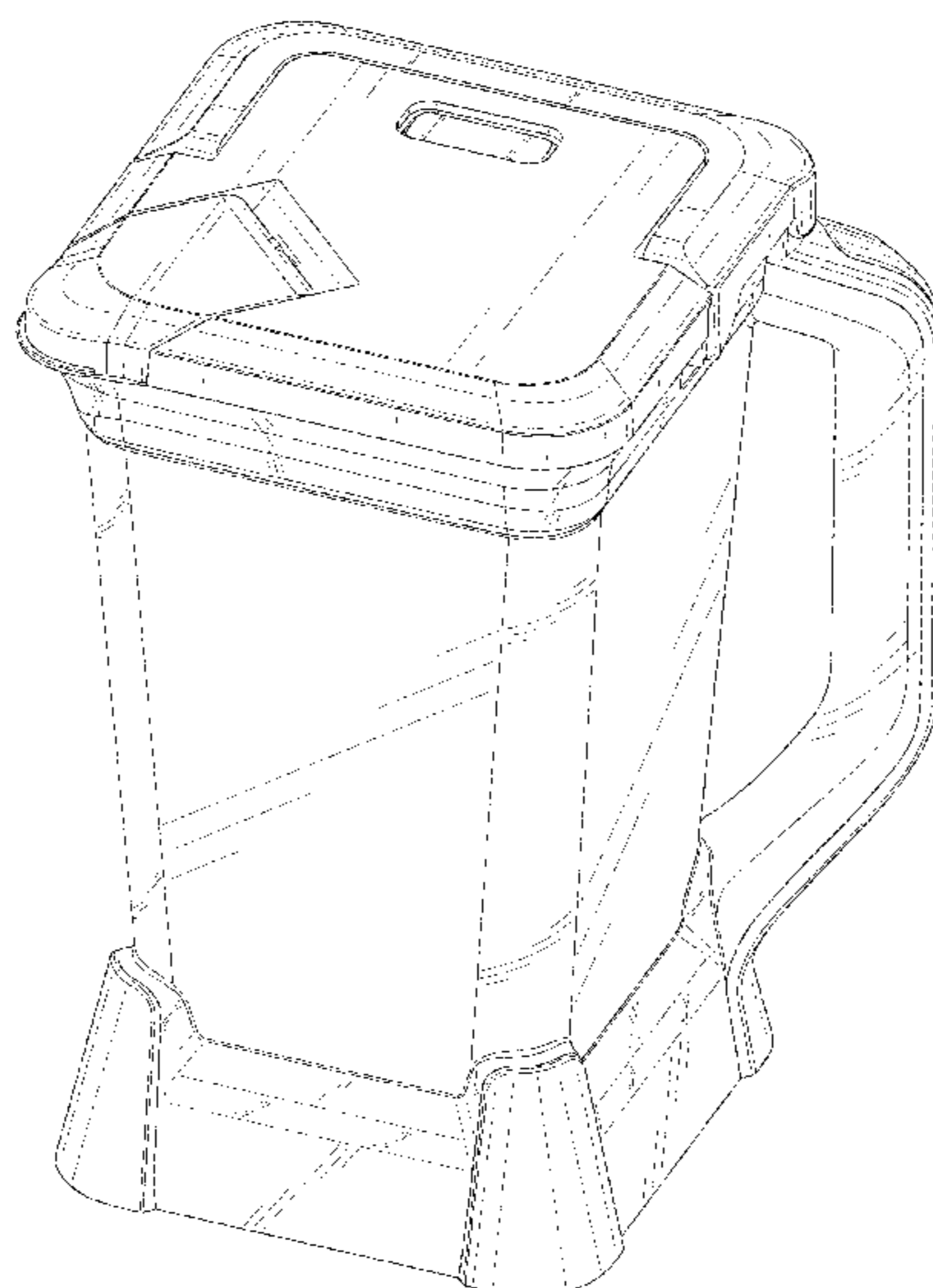
FIG. 1 is a perspective view of a blender container showing our new design;
FIG. 2 is a left side elevational view thereof;
FIG. 3 is a right side elevational view thereof;
FIG. 4 is a rear elevational view thereof;
FIG. 5 is a front elevational view thereof;
FIG. 6 is a top plan view thereof; and,
FIG. 7 is a bottom plan view thereof.

(56) **References Cited**

U.S. PATENT DOCUMENTS

3,392,768 A 7/1968 Anliker
D480,915 S * 10/2003 Kolar D7/413
D528,363 S * 9/2006 Ulanski D7/413
D578,340 S * 10/2008 Picozza D7/378
D621,656 S * 8/2010 Ulanski D7/378

1 Claim, 7 Drawing Sheets



(56)

References Cited

OTHER PUBLICATIONS

Written Opinion of the International Searching Authority; International Application No. PCT/US2016/034287; International Filing Date: May 26, 2016; Date of Mailing: Jul. 18, 2016; 4 Pages.

* cited by examiner

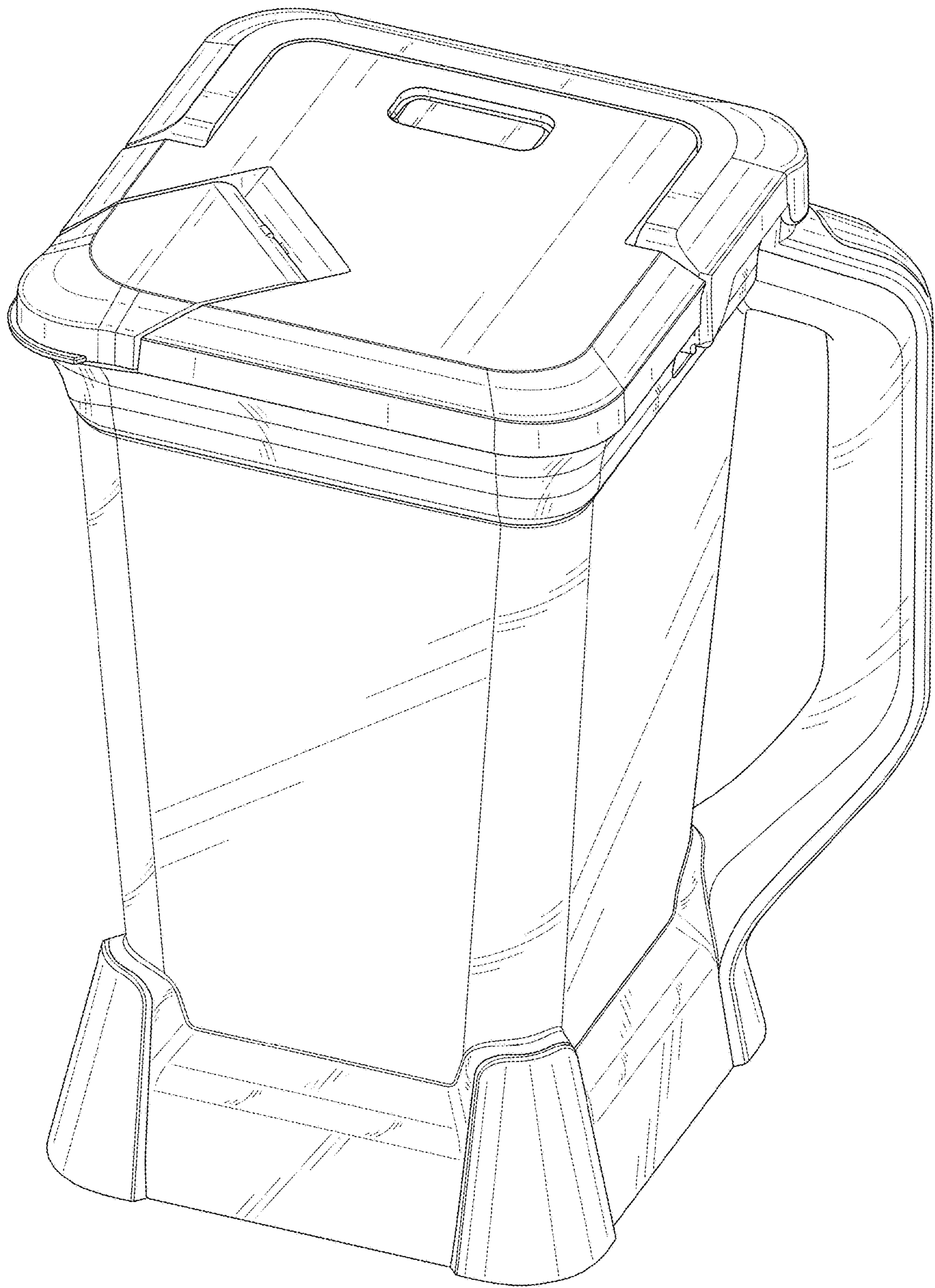


FIG. 1

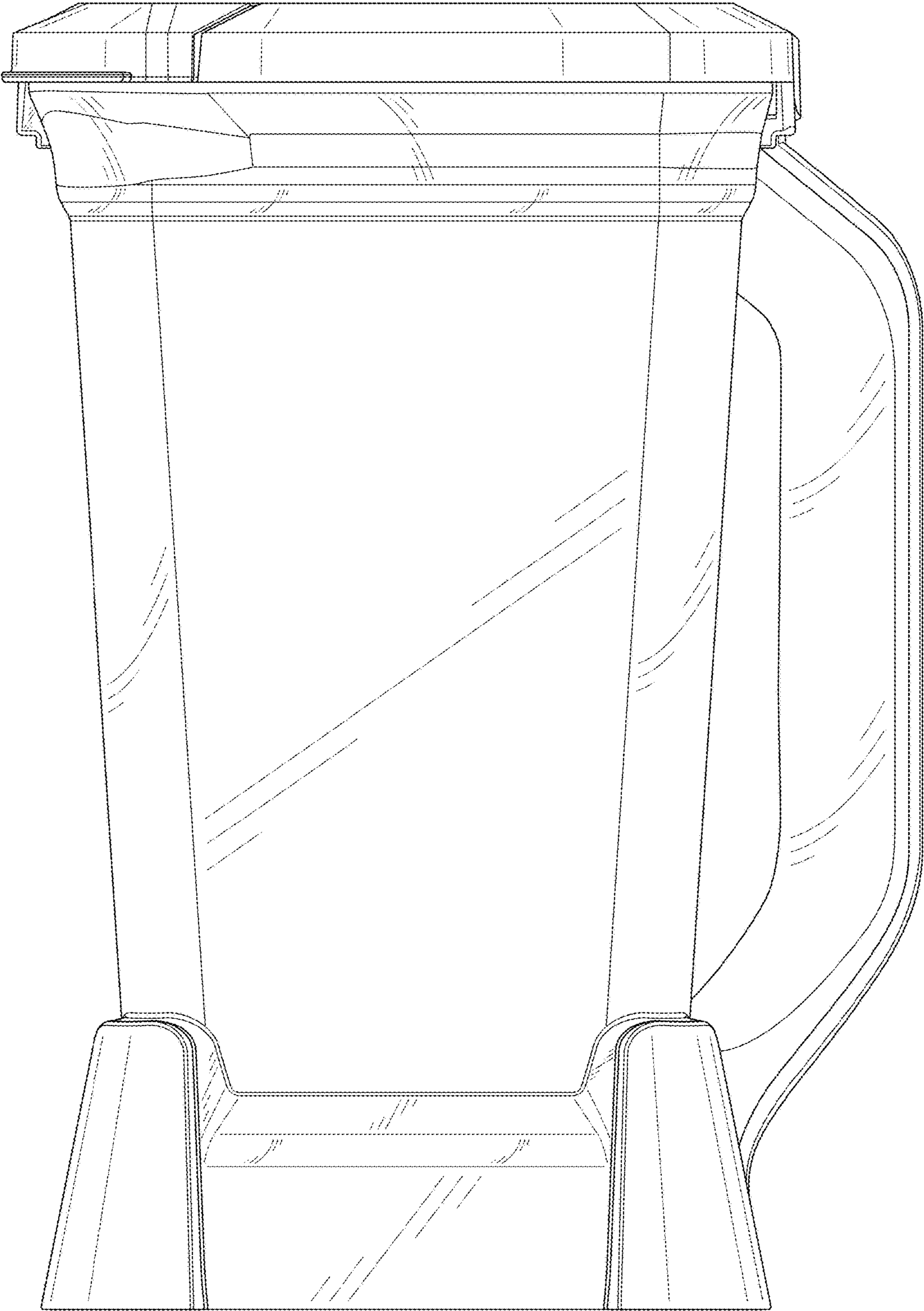


FIG. 2

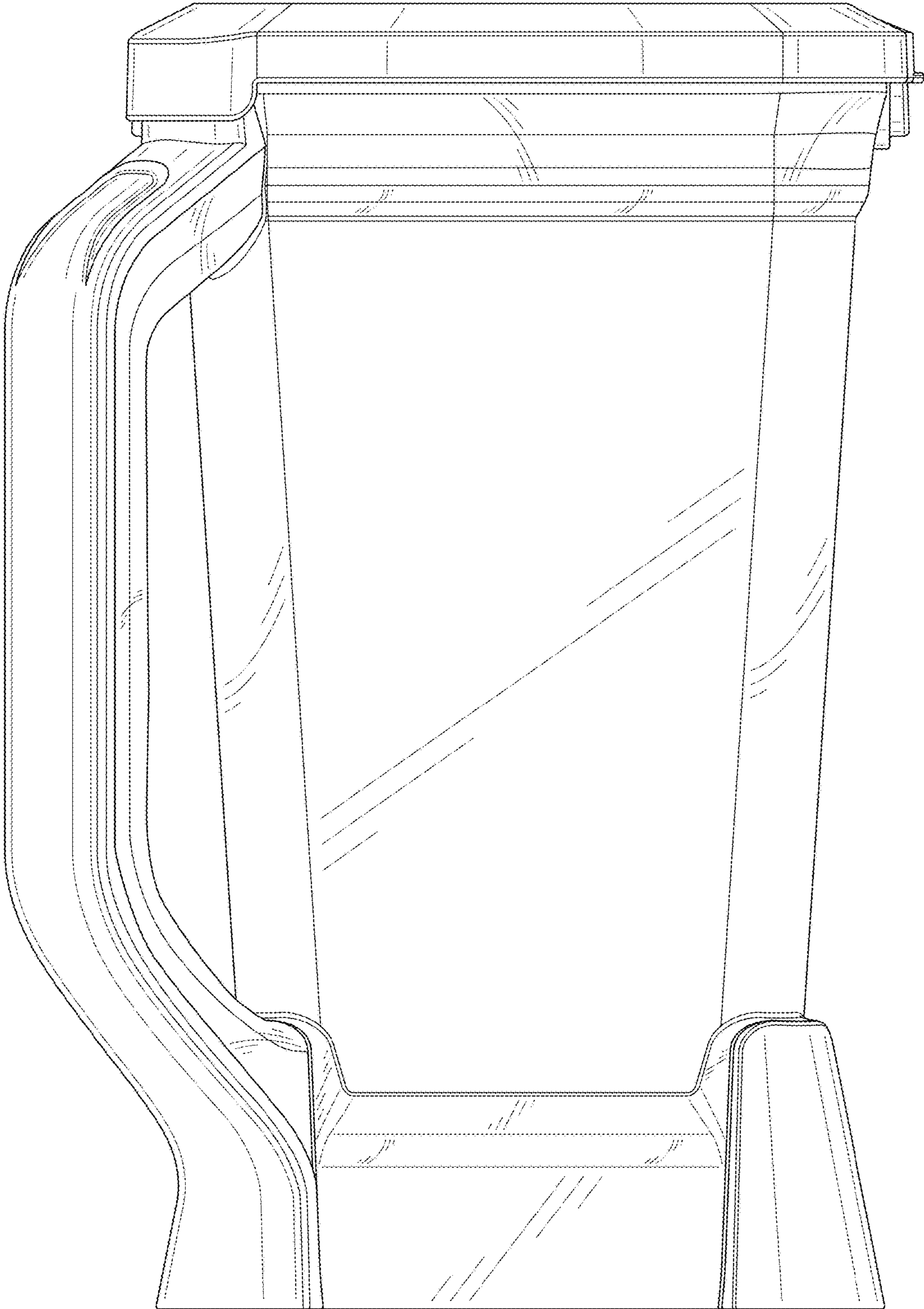


FIG. 3

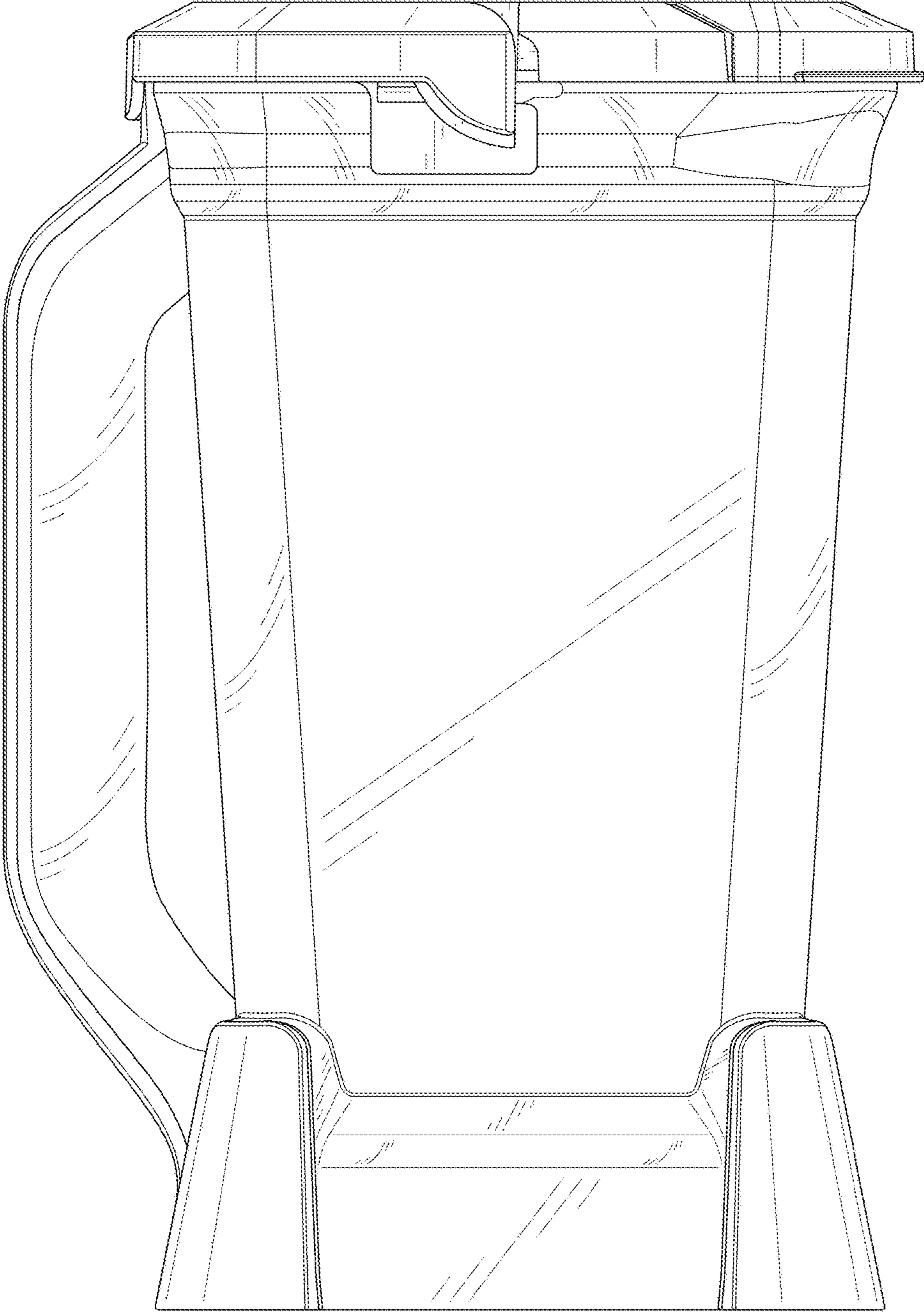


FIG. 4

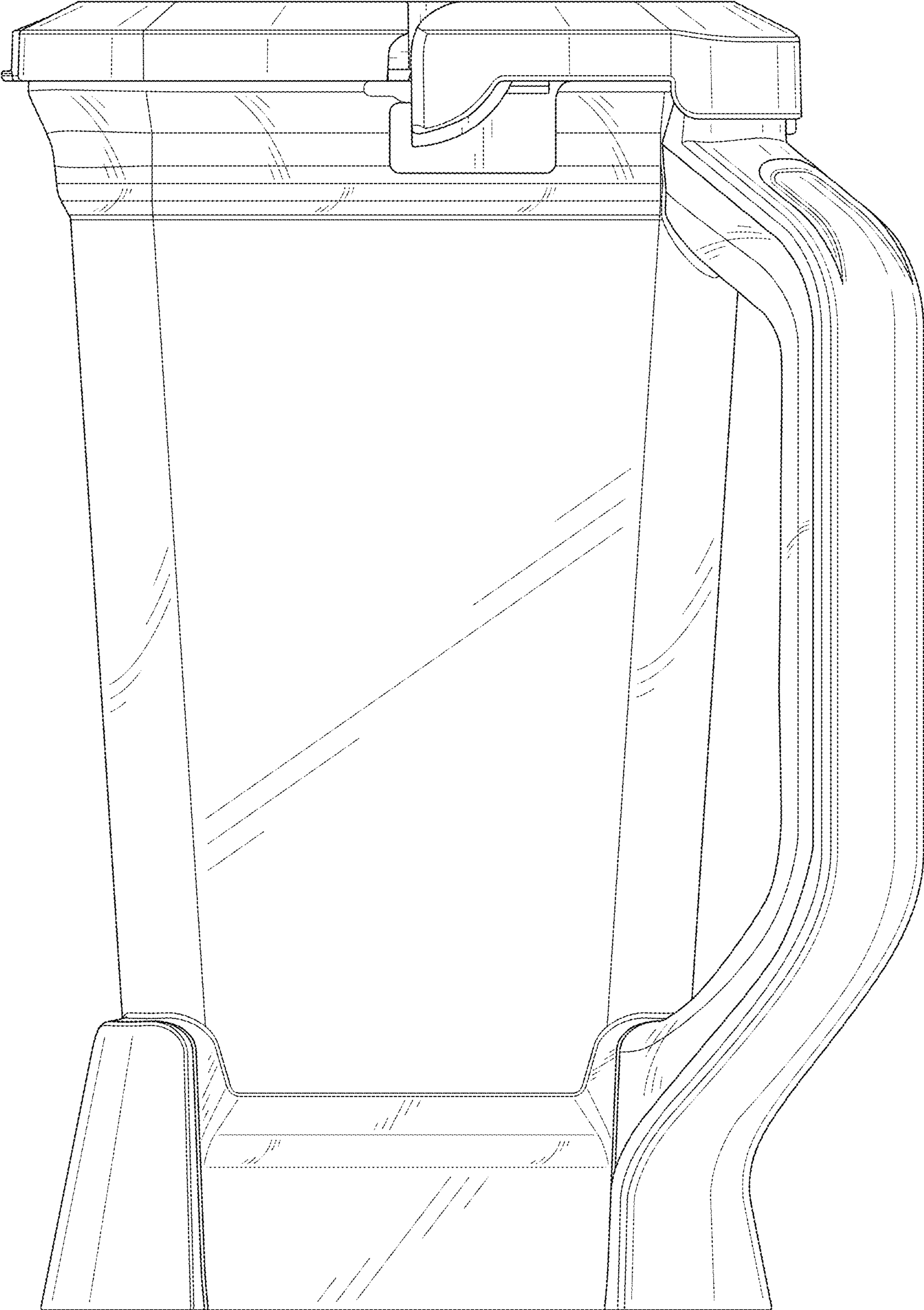


FIG. 5

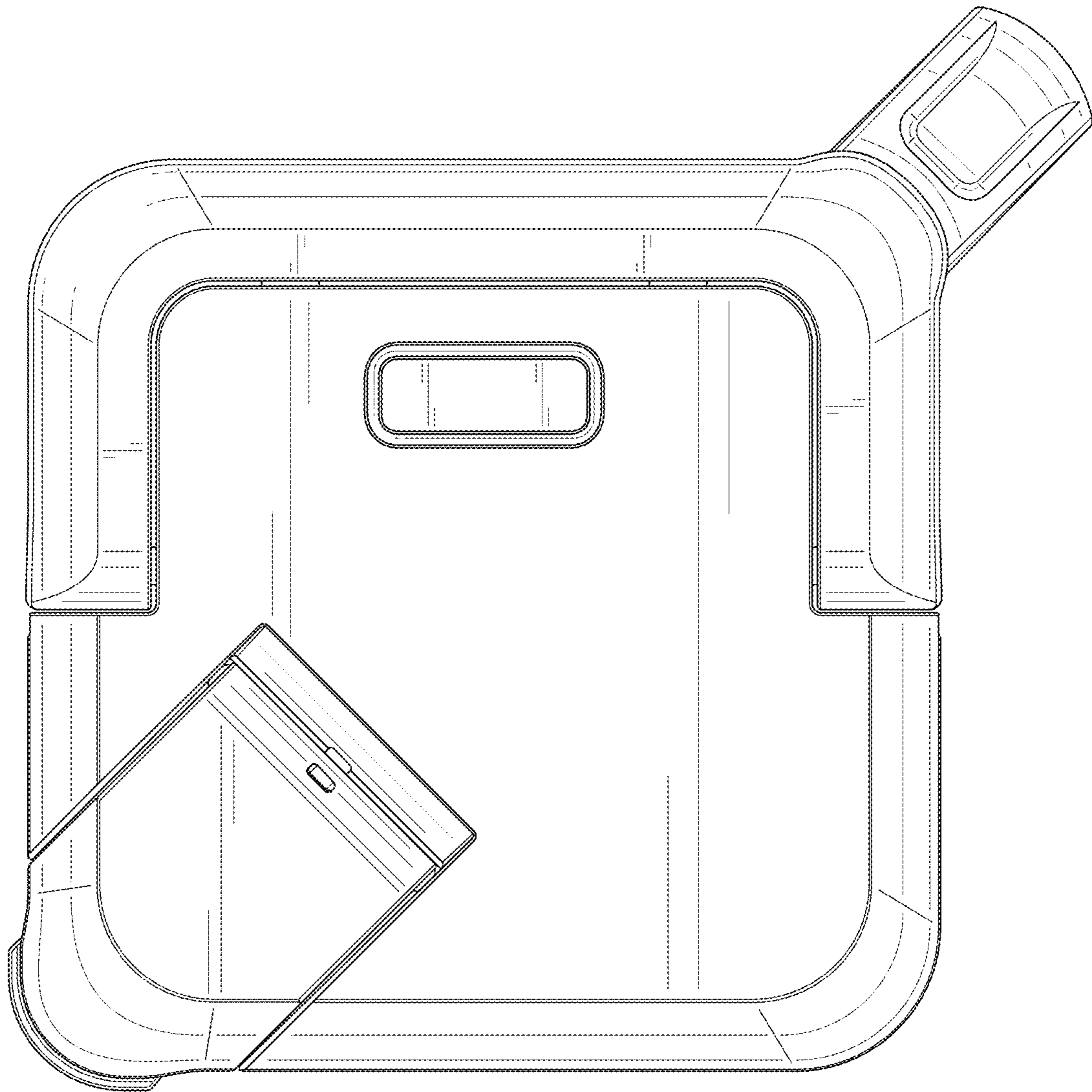


FIG. 6

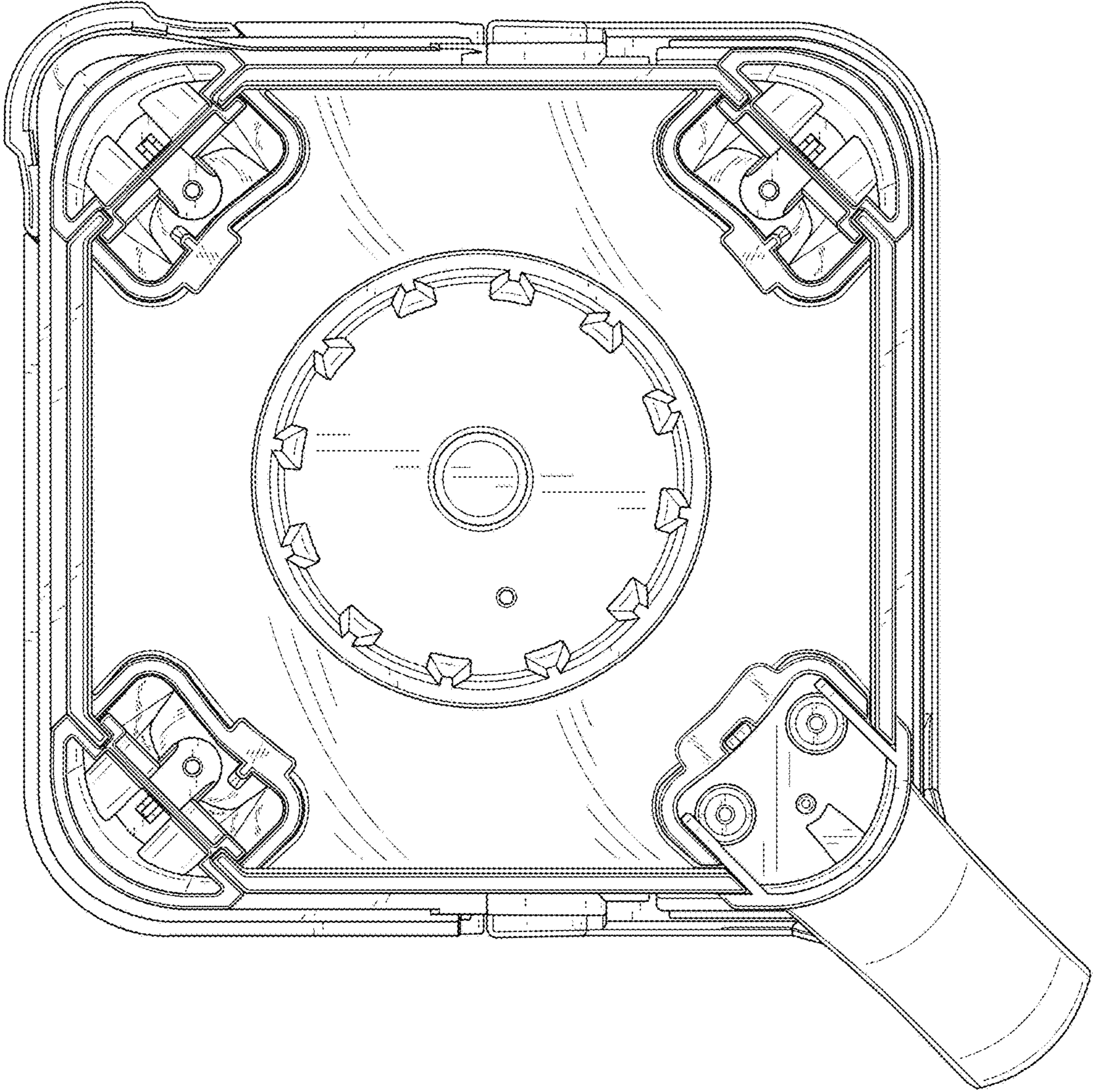


FIG. 7