



US00D784759S

(12) **United States Design Patent**
Nadal

(10) **Patent No.:** **US D784,759 S**

(45) **Date of Patent:** **** Apr. 25, 2017**

(54) **SOLID FUEL COOKING DEVICE INCLUDING POLYGONAL SHAPED UPPER BODY**

(71) Applicant: **Fire Butler, LLC**, Beverly Hills, FL (US)

(72) Inventor: **Vincent T. Nadal**, Beverly Hills, FL (US)

(73) Assignee: **FIRE BUTLER, LLC**, Beverly Hills, FL (US)

(**) Term: **15 Years**

(21) Appl. No.: **29/536,116**

(22) Filed: **Aug. 13, 2015**

Related U.S. Application Data

(63) Continuation-in-part of application No. 14/587,248, filed on Dec. 31, 2014, and a continuation-in-part of (Continued)

(51) **LOC (10) Cl.** **07-02**

(52) **U.S. Cl.**
USPC **D7/407**

(58) **Field of Classification Search**
USPC D7/332-339, 402, 404, 407, 417;
126/25 B, 25 R, 59.5, 144, 154, 9 R,
(Continued)

(56) **References Cited**

U.S. PATENT DOCUMENTS

1,042,273 A 10/1912 Roe
1,447,029 A 2/1923 Manchester
(Continued)

OTHER PUBLICATIONS

Square to Round Adapter seen on p. 49 in Miami Tech Inc's, On line Catatlog dated 2013-2014.*

Primary Examiner — Ian Simmons

Assistant Examiner — Mark Cavanna

(74) *Attorney, Agent, or Firm* — David S. Carus, Esq.; Allen, Dyer, Doppelt & Gilchrist, P.A.

(57) **CLAIM**

The ornamental design for a solid fuel cooking device including polygonal shaped upper body, as shown and described.

DESCRIPTION

FIG. 1 is a perspective view of a solid fuel cooking device including polygonal shaped upper body with the cover portion attached showing my new design;

FIG. 2 is a perspective view of the solid fuel cooking device including polygonal shaped upper body with the cover portion attached shown removed from the environmental structure for clarity of illustration;

FIG. 3 is a perspective view of the solid fuel cooking device including polygonal shaped upper body with the cover portion detached shown removed from the environmental structure for clarity of illustration;

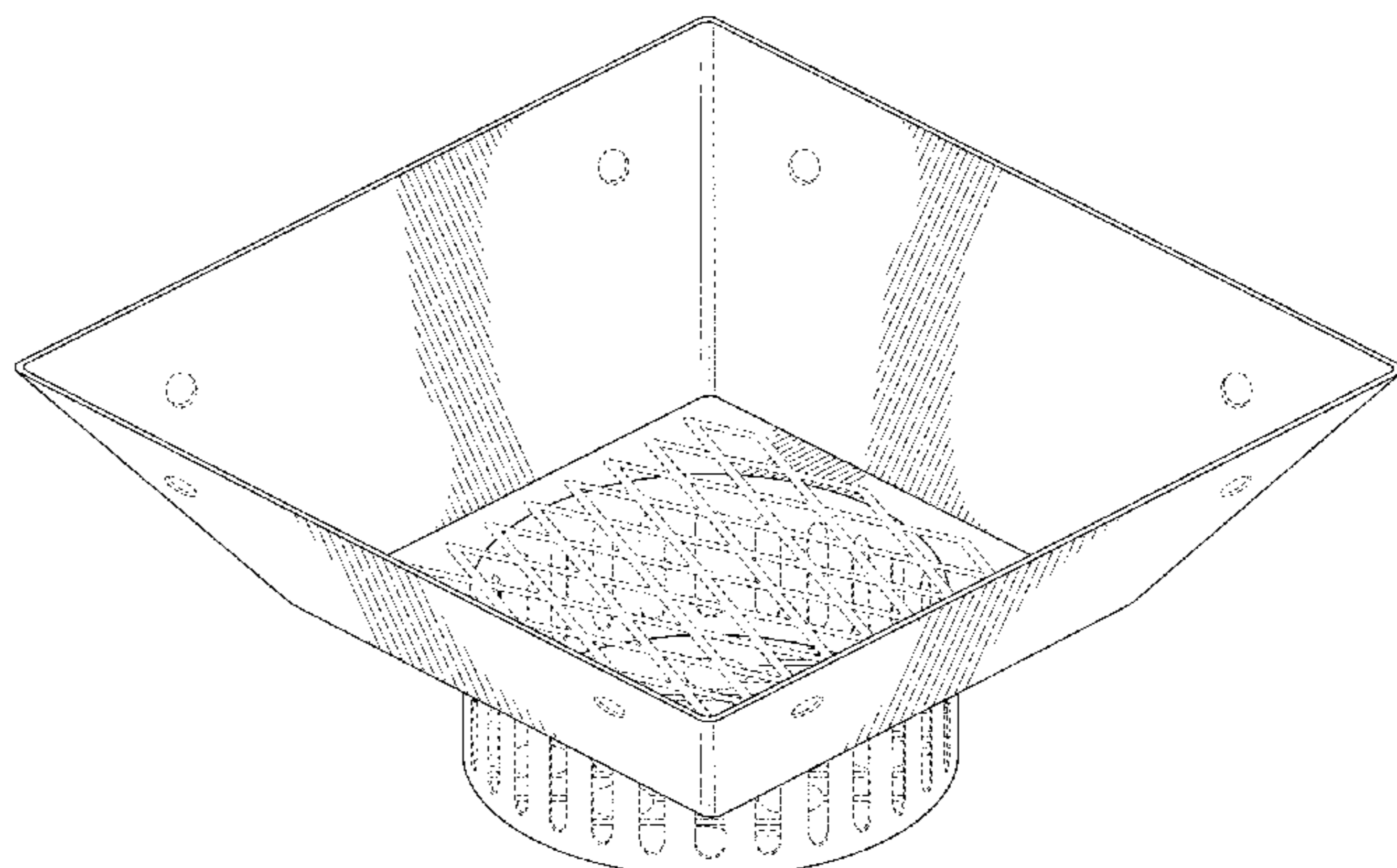
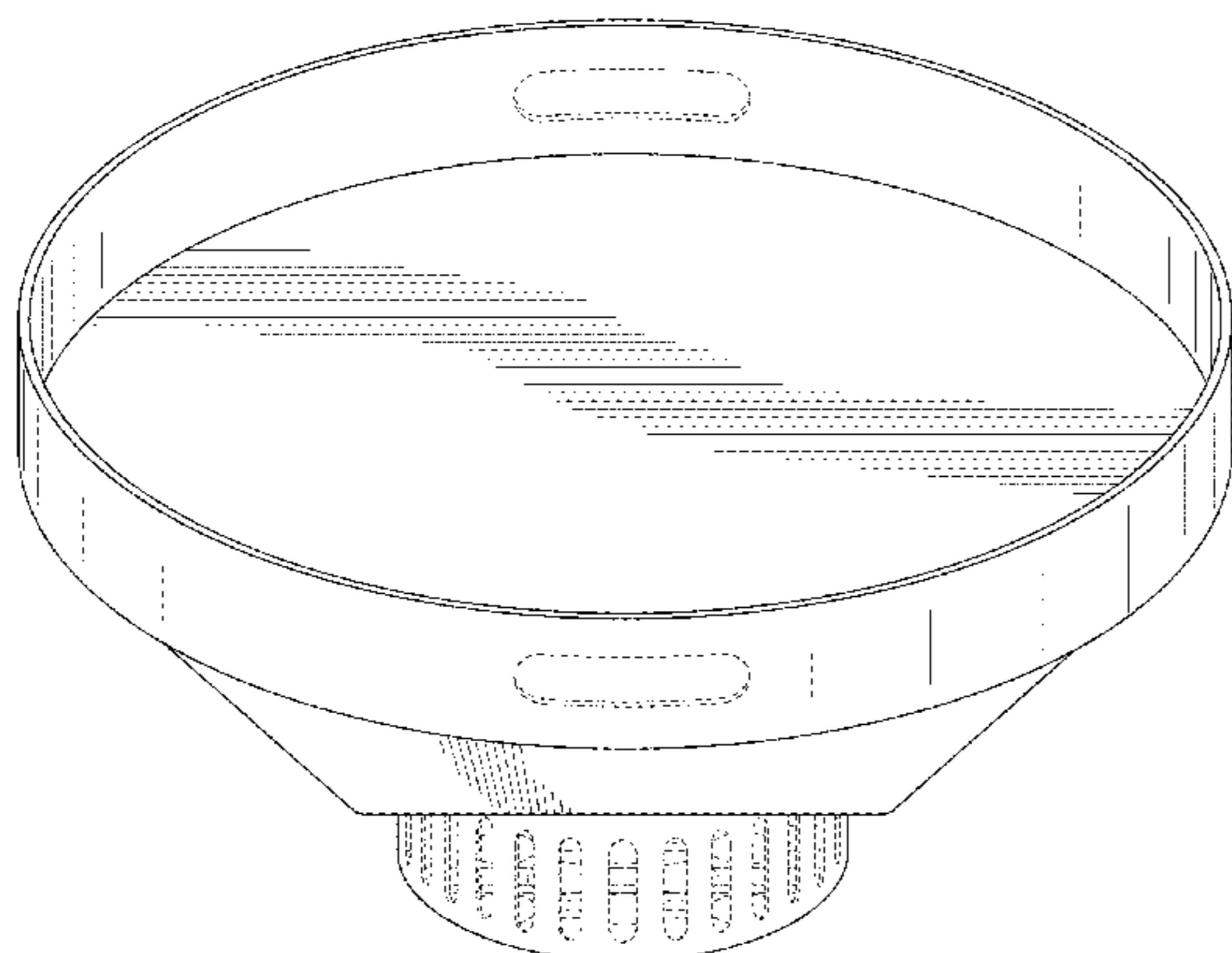
FIG. 4 is a side view of the solid fuel cooking device including polygonal shaped upper body with the cover portion attached shown removed from the environmental structure for clarity of illustration;

FIG. 5 is a top view of the solid fuel cooking device including polygonal shaped upper body with the cover portion detached shown removed from the environmental structure for clarity of illustration; and,

FIG. 6 is a bottom view of the solid fuel cooking device including polygonal shaped upper body with the cover portion detached shown removed for the environmental structure for clarity of illustration.

The broken lines are included for the purpose of illustrating unclaimed portions of the solid fuel cooking device including polygonal shaped upper body as well as unclaimed environmental structure. The broken lines in the drawings form no part of the claimed design.

1 Claim, 6 Drawing Sheets



Related U.S. Application Data

application No. 29/516,736, filed on Feb. 5, 2015, now Pat. No. Des. 740,607.

(58) **Field of Classification Search**

USPC 126/29-30, 25 A, 40, 41 R, 39 B, 162; 110/195; 220/2; 152/450; 44/531, 532; 99/444-445, 449-450, 447; 446/153
CPC F24B 15/005; F24B 1/205; E23Q 13/04; G07F 3/02; A47J 37/0772; A47J 37/0763; A47J 37/079; C08K 3/04; C10L 11/04; F23Q 7/02; A01G 13/06; F23M 5/00; F23H 13/00

See application file for complete search history.

(56) **References Cited**

U.S. PATENT DOCUMENTS

2,631,553 A * 3/1953 Shipley B21J 19/02
110/195
2,894,448 A 7/1959 Henderson et al.
3,018,771 A * 1/1962 Curtis A47J 37/0772
126/154
3,040,651 A * 6/1962 Nolte, Jr. A47J 37/0763
126/25 R
3,116,704 A * 1/1964 Byars, Sr. A47J 37/079
126/162
3,167,040 A * 1/1965 Byars, Sr. A47J 37/079
126/162
3,217,634 A 11/1965 Fox
3,420,913 A * 1/1969 Railsback C08K 3/04
152/450
3,453,975 A * 7/1969 Gunter A47J 37/079
126/25 B
3,688,758 A 9/1972 Stephen et al.
3,765,397 A 10/1973 Henderson
D229,277 S 11/1973 Ming Kong
3,841,299 A * 10/1974 Tomita A47J 37/0763
126/25 B
D244,985 S 7/1977 Folke
4,074,977 A * 2/1978 Dunham C10L 11/04
44/531
D249,448 S 9/1978 Vache
D258,528 S * 3/1981 Noose D7/417
4,296,726 A * 10/1981 Ross A47J 37/079
126/25 B
4,417,565 A * 11/1983 Karpinia F23Q 13/04
126/25 B

4,430,985 A 2/1984 Huneycutt
4,592,334 A 6/1986 Logan, Jr.
4,777,927 A 10/1988 Stephen et al.
5,074,279 A 12/1991 Sainsbury
5,094,221 A 3/1992 Ho
5,197,455 A * 3/1993 Tessien F23Q 7/02
126/144
5,404,864 A 4/1995 Kent, Jr.
D366,392 S * 1/1996 Stephen D7/417
D379,900 S 6/1997 Gillam et al.
5,687,704 A 11/1997 Lerch et al.
5,797,386 A 8/1998 Orr
5,893,357 A * 4/1999 Royer A47J 37/0713
126/25 R
5,964,212 A 10/1999 Thompson
6,205,996 B1 3/2001 Ryan
6,213,006 B1 4/2001 Reardon et al.
6,302,096 B1 10/2001 Duncan
6,598,598 B1 7/2003 Bratsikas
D479,941 S 9/2003 Blanchette
6,688,301 B1 2/2004 McNeill
6,799,567 B1 * 10/2004 Genest A47J 37/0704
126/30
7,032,587 B2 4/2006 McNeill
D544,753 S 6/2007 Tseng
7,241,466 B2 7/2007 Dellinger
D627,591 S 11/2010 Wade
D644,474 S * 9/2011 Wilgus D7/332
8,166,870 B2 5/2012 Badin
D680,799 S 4/2013 Chung
8,578,927 B2 11/2013 Gustavsen
2004/0154606 A1 * 8/2004 McNeill A47J 37/0786
126/25 R
2005/0039612 A1 2/2005 Denny
2006/0042475 A1 3/2006 Craig
2007/0006863 A1 * 1/2007 Barbarich A47J 37/0763
126/25 R
2007/0044784 A1 * 3/2007 Thompson A47J 37/079
126/25 B
2007/0087297 A1 4/2007 Long
2010/0059037 A1 * 3/2010 Witzel A47J 37/079
126/25 B
2012/0073559 A1 * 3/2012 Mize F24B 15/005
126/25 B
2013/0042852 A1 * 2/2013 Cottrell F23Q 13/04
126/25 B
2013/0213242 A1 * 8/2013 Shippy A47J 37/0704
99/445
2016/0075961 A1 * 3/2016 Leveen C10L 11/04
126/25 B

* cited by examiner

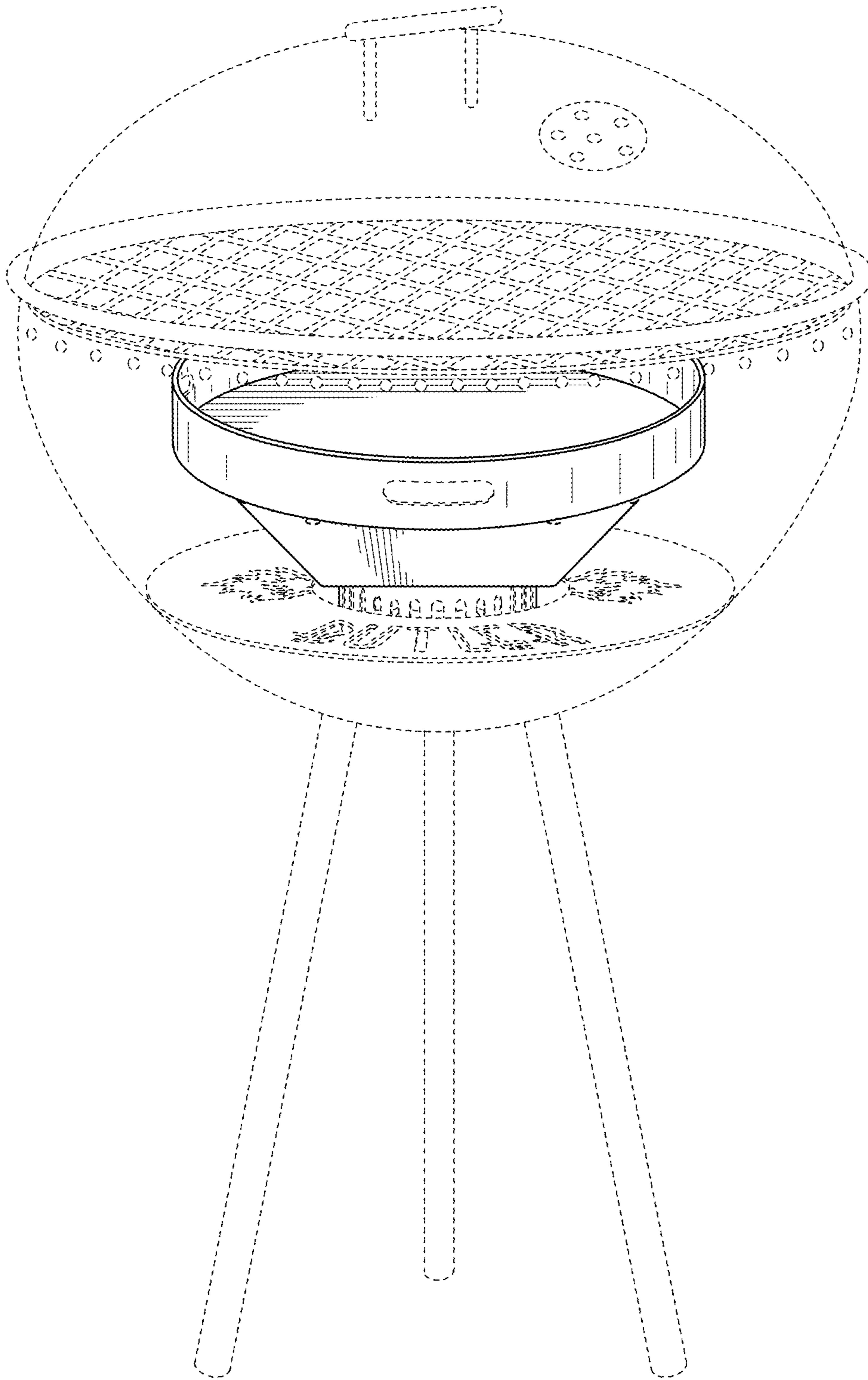


FIG. 1

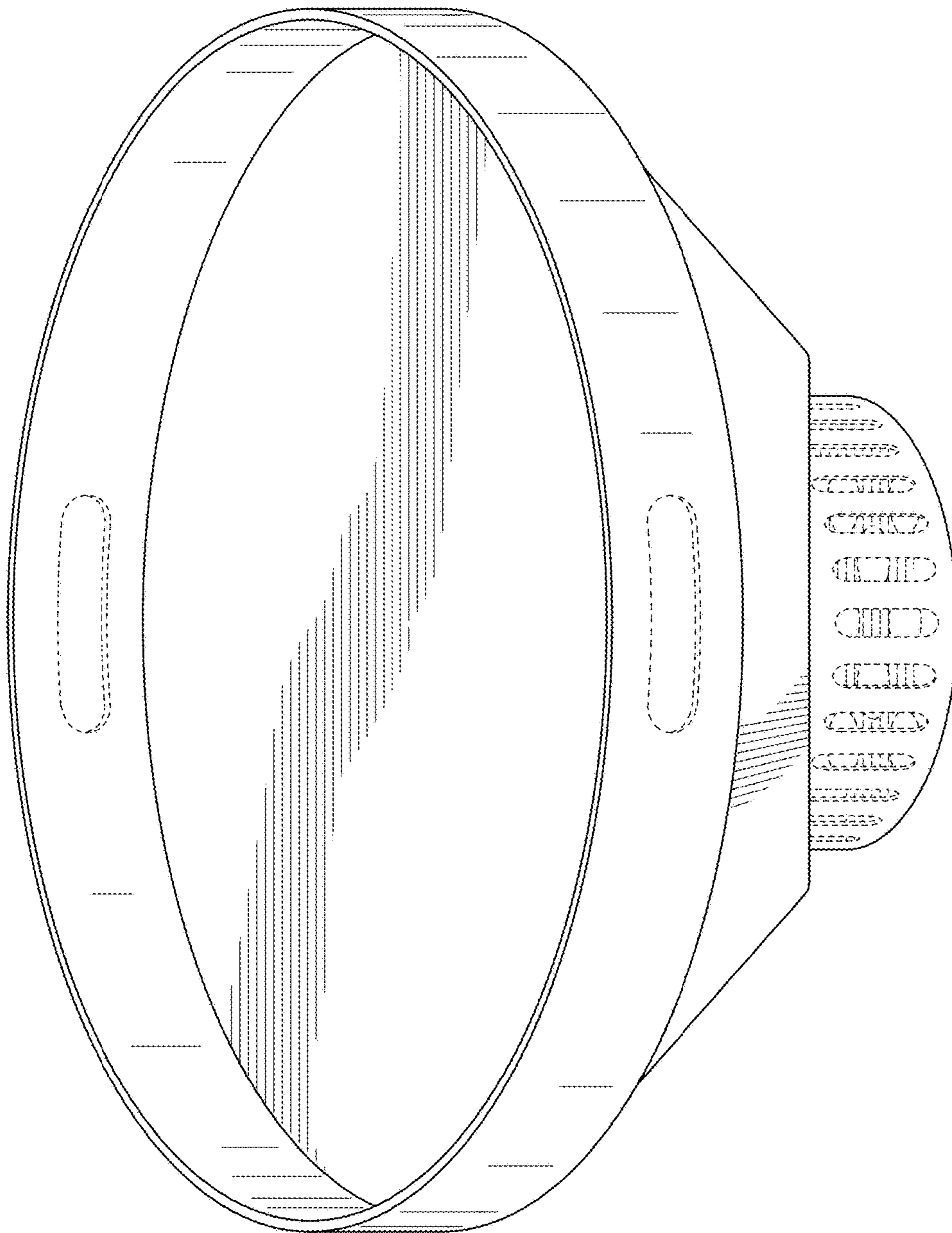


FIG. 2

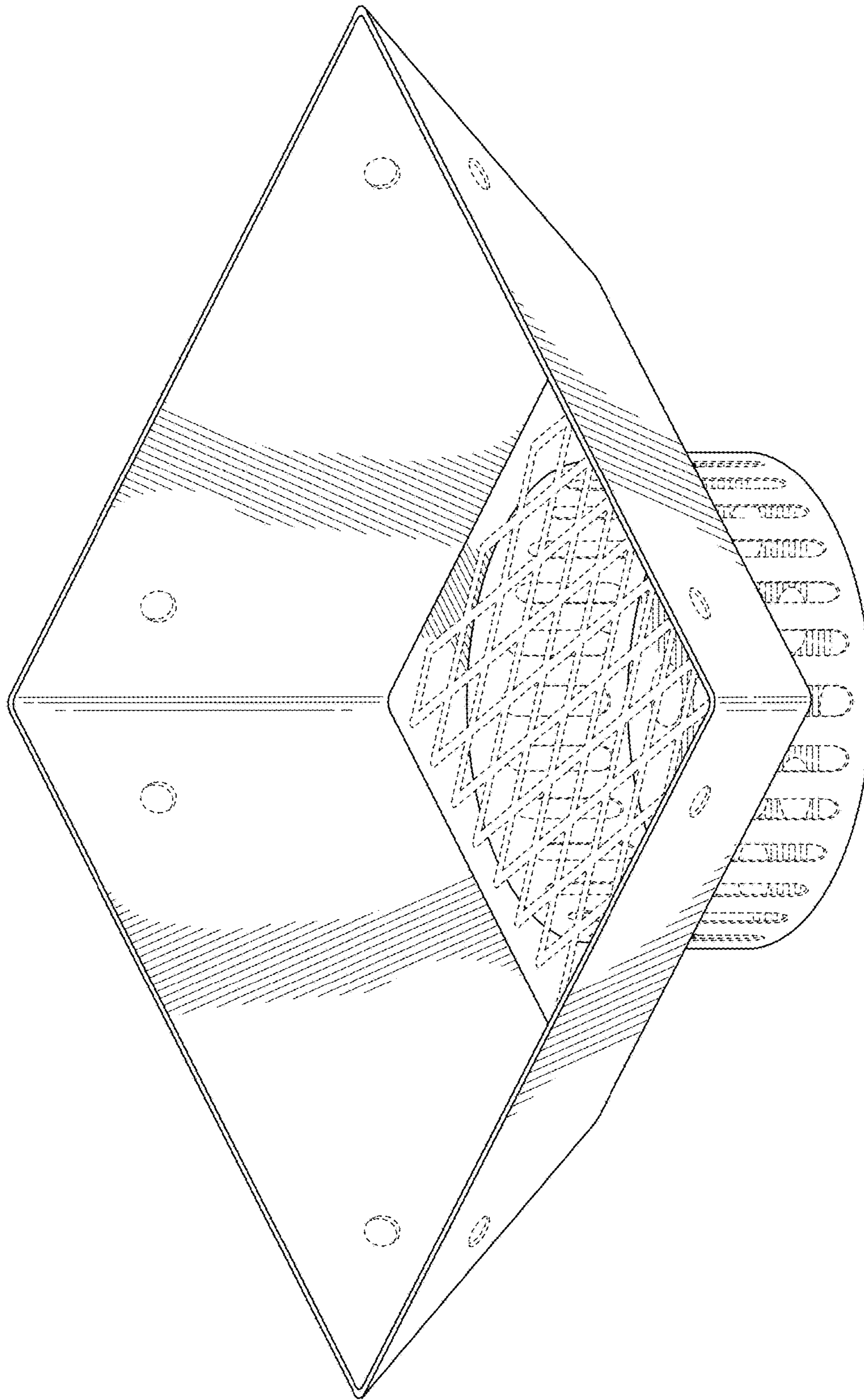


FIG. 3

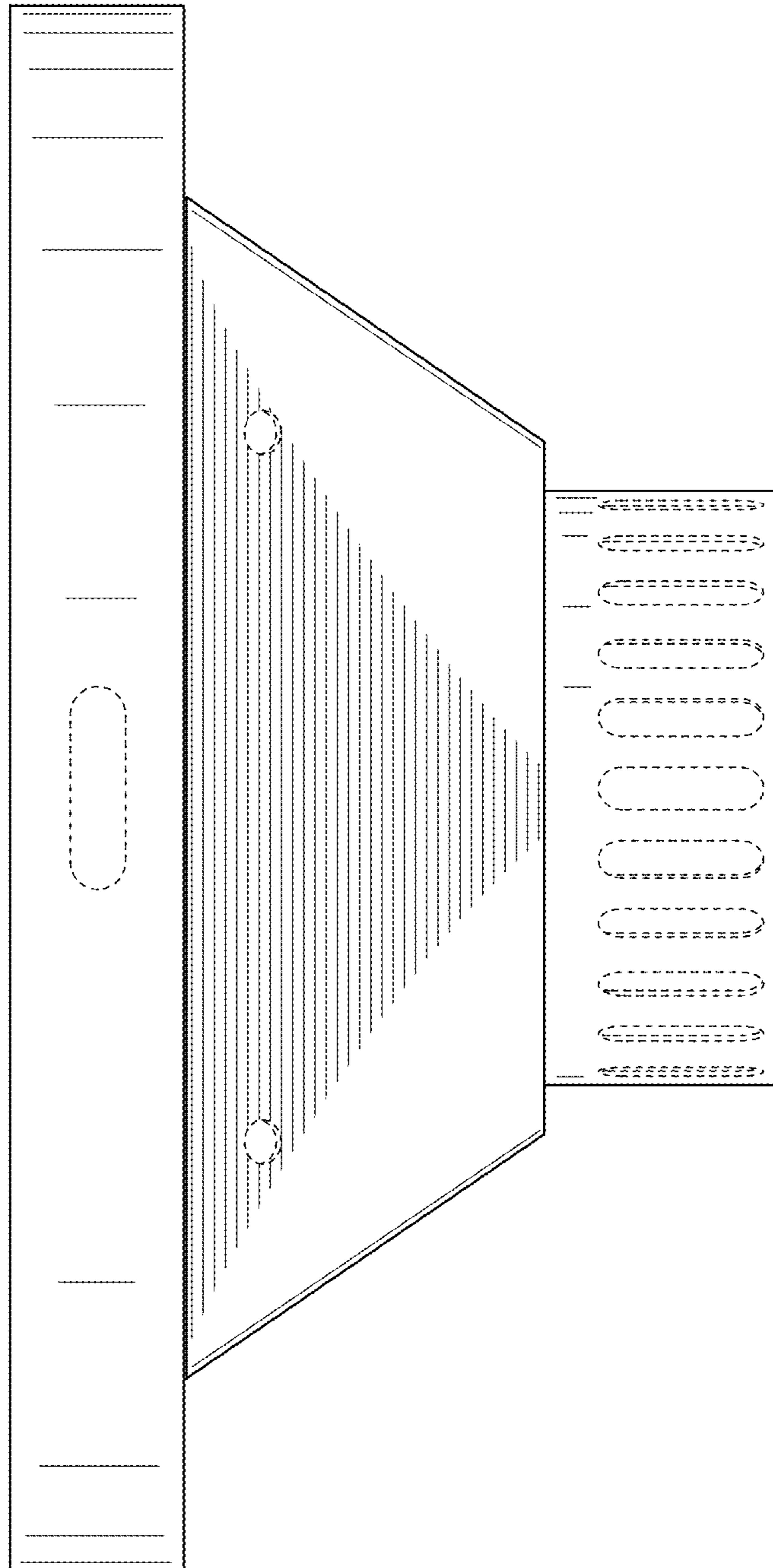


FIG. 4

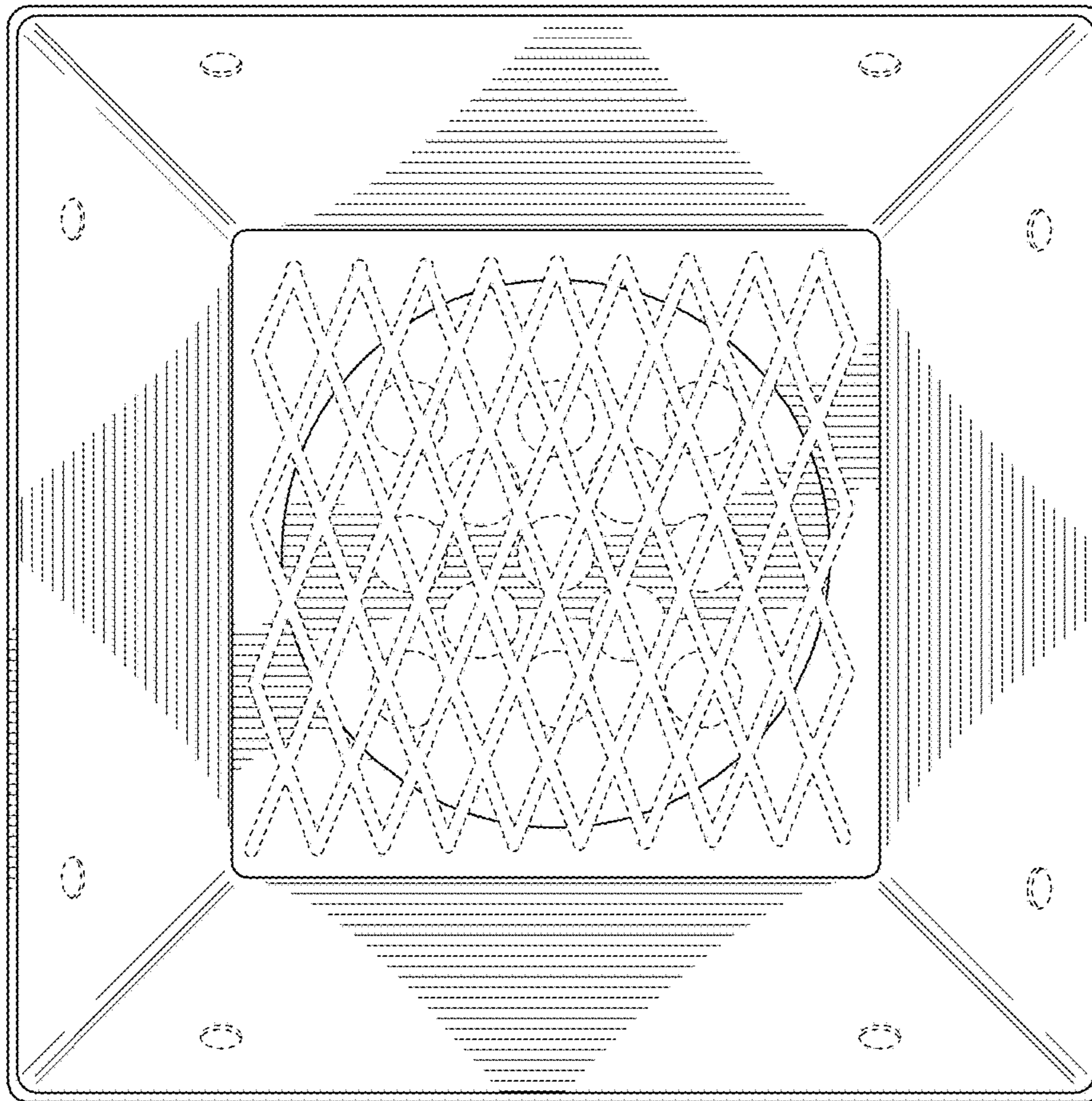


FIG. 5

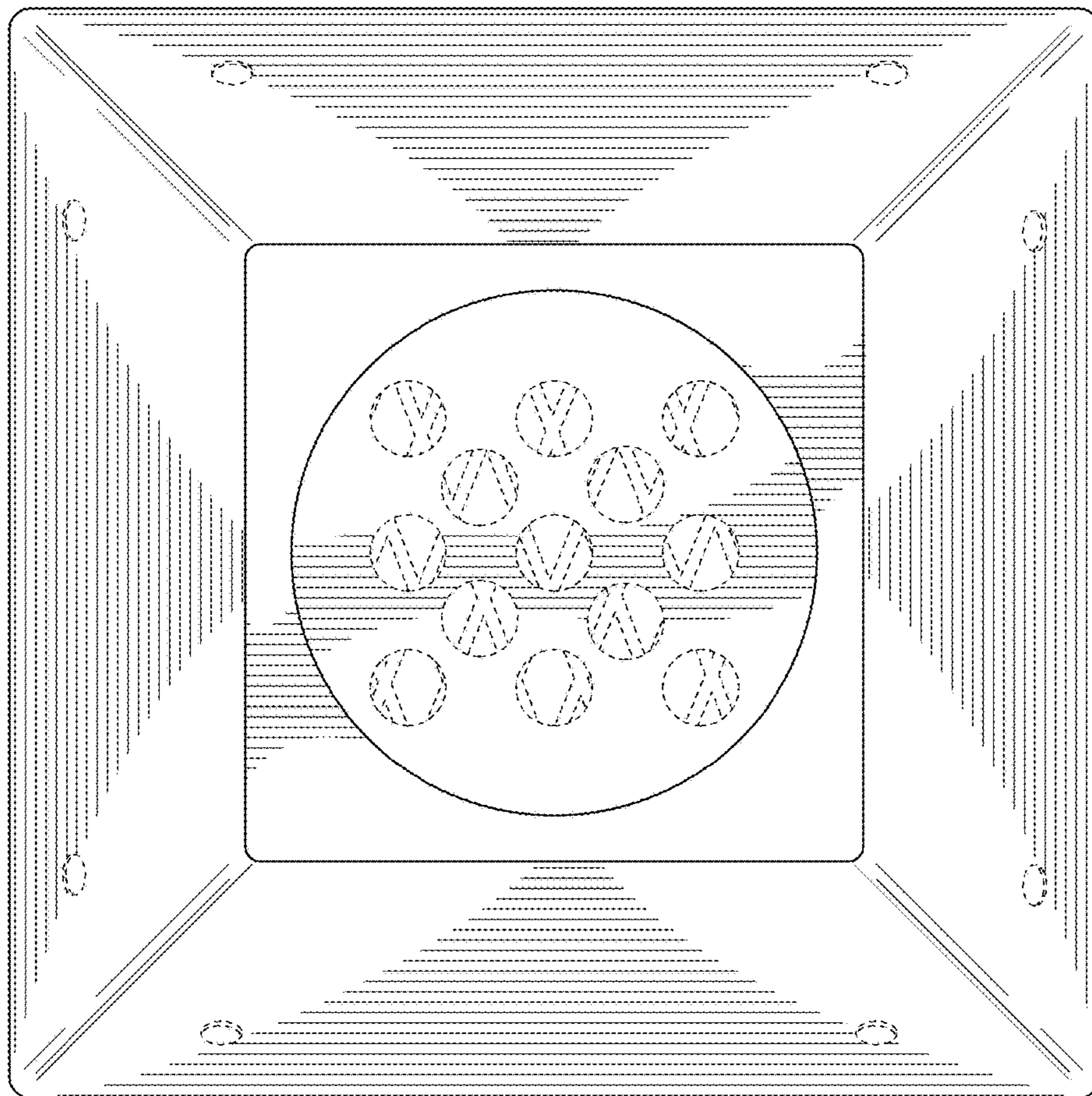


FIG. 6

UNITED STATES PATENT AND TRADEMARK OFFICE
CERTIFICATE OF CORRECTION

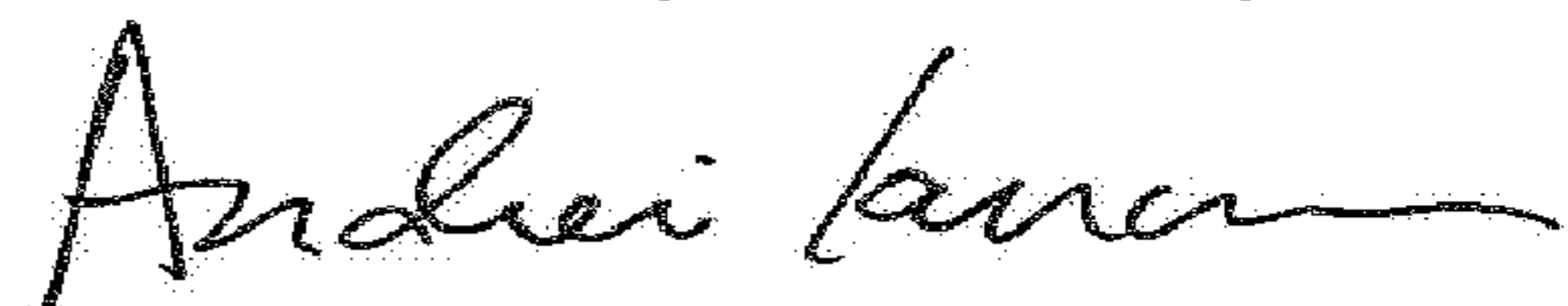
PATENT NO. : D784,759 S
APPLICATION NO. : 29/536116
DATED : April 25, 2017
INVENTOR(S) : Vincent T. Nadal

Page 1 of 1

It is certified that error appears in the above-identified patent and that said Letters Patent is hereby corrected as shown below:

In the Description,	Delete: "cookbing"
FIG. 1, Line 1	Insert: --cooking--

Signed and Sealed this
Twentieth Day of February, 2018



Andrei Iancu
Director of the United States Patent and Trademark Office