



US00D784756S

(12) **United States Design Patent** (10) **Patent No.:** **US D784,756 S**
Dingjian et al. (45) **Date of Patent:** **** Apr. 25, 2017**

(54) **HANDLE FOR COOKING UTENSILS AND APPARATUS**

(71) Applicant: **TEFAL**, Rumilly (FR)
(72) Inventors: **Jean-Francois Dingjian**, Montreuil (FR); **Eloi Chafai**, Montreuil (FR)

(73) Assignee: **TEFAL**, Rumilly (FR)

(**) Term: **15 Years**

(21) Appl. No.: **29/551,715**

(22) Filed: **Jan. 15, 2016**

(30) **Foreign Application Priority Data**

Jul. 16, 2015 (EM) 002737916-0001

(51) **LOC (10) Cl.** **07-02**

(52) **U.S. Cl.**
USPC **D7/395**

(58) **Field of Classification Search**

USPC D7/354-361, 393-395, 401.2, 664;
D8/107, 300, 303, 307, 313, 321;
D4/138, 129
CPC A47J 45/06; A47J 45/061; A47J 45/08; A47J
45/085; A47J 45/071; A47J 45/072; B65D
25/2802; B65D 25/2882; B65D 25/2885;
B65D 25/2888; B65D 25/2894; Y10S
220/912

See application file for complete search history.

(56) **References Cited**

U.S. PATENT DOCUMENTS

D562,063	S	*	2/2008	Munari	D7/395
D578,824	S	*	10/2008	Munari	D7/395
D686,873	S	*	7/2013	Rae	D7/395
D693,171	S	*	11/2013	Munari	D7/395
D696,552	S	*	12/2013	Rae	D7/395
D699,071	S	*	2/2014	Munari	D7/395
D724,379	S	*	3/2015	Munari	D7/395
D729,002	S	*	5/2015	Barberi	D7/395
D730,686	S	*	6/2015	Barberi	D7/395
D736,032	S	*	8/2015	Munari	D7/395

* cited by examiner

Primary Examiner — Cynthia M Chin

(74) *Attorney, Agent, or Firm* — The Webb Law Firm

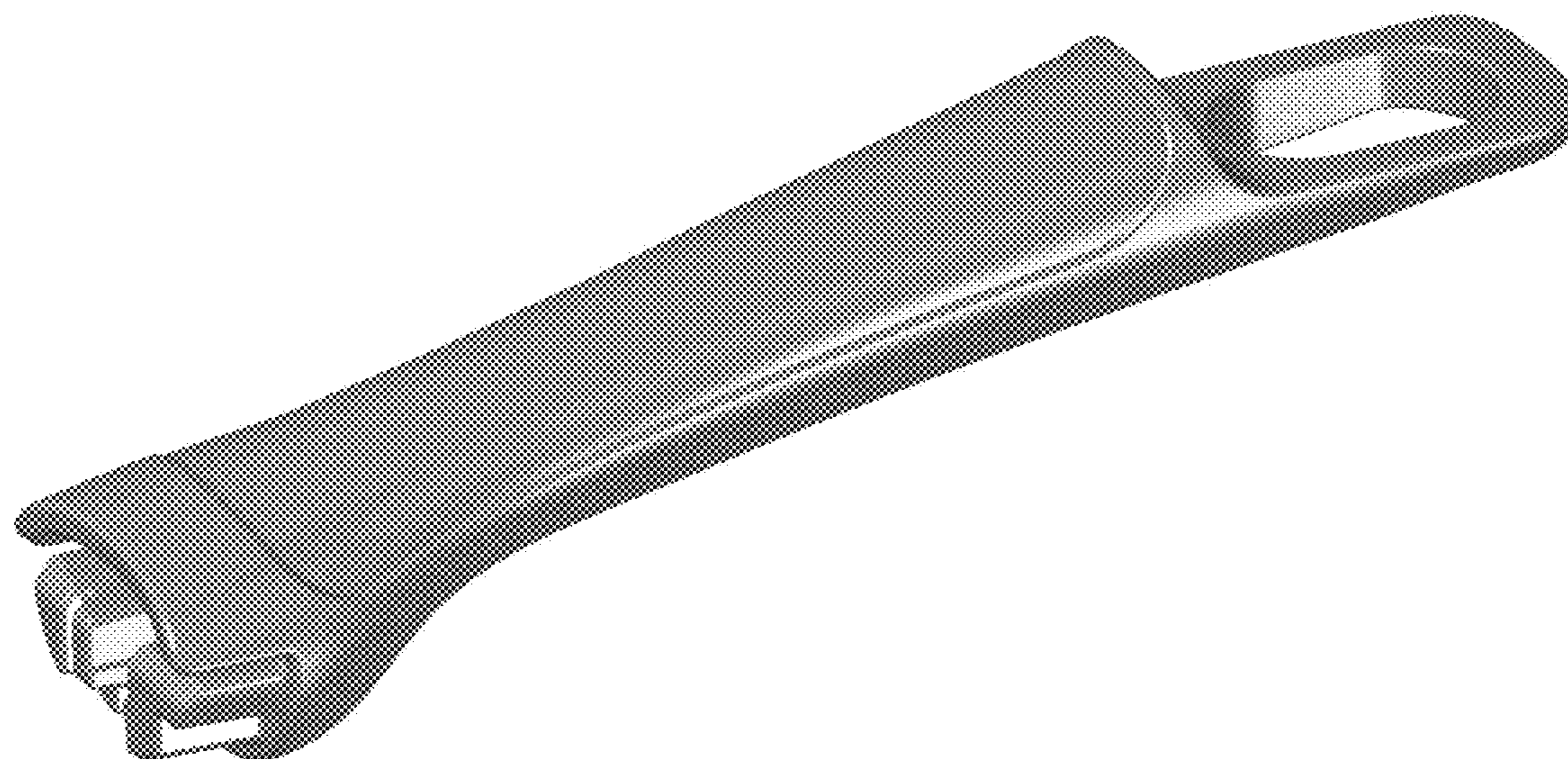
(57) **CLAIM**

The ornamental design for a handle for cooking utensils and apparatus, as shown and described.

DESCRIPTION

FIG. 1 is a perspective view of a handle for cooking utensils and apparatus showing our new design; FIG. 2 is a top view thereof; FIG. 3 is a bottom view thereof; FIG. 4 is an enlarged front view thereof; FIG. 5 is an enlarged rear view thereof; FIG. 6 is a left side view thereof; and, FIG. 7 is a right side view thereof.

1 Claim, 7 Drawing Sheets



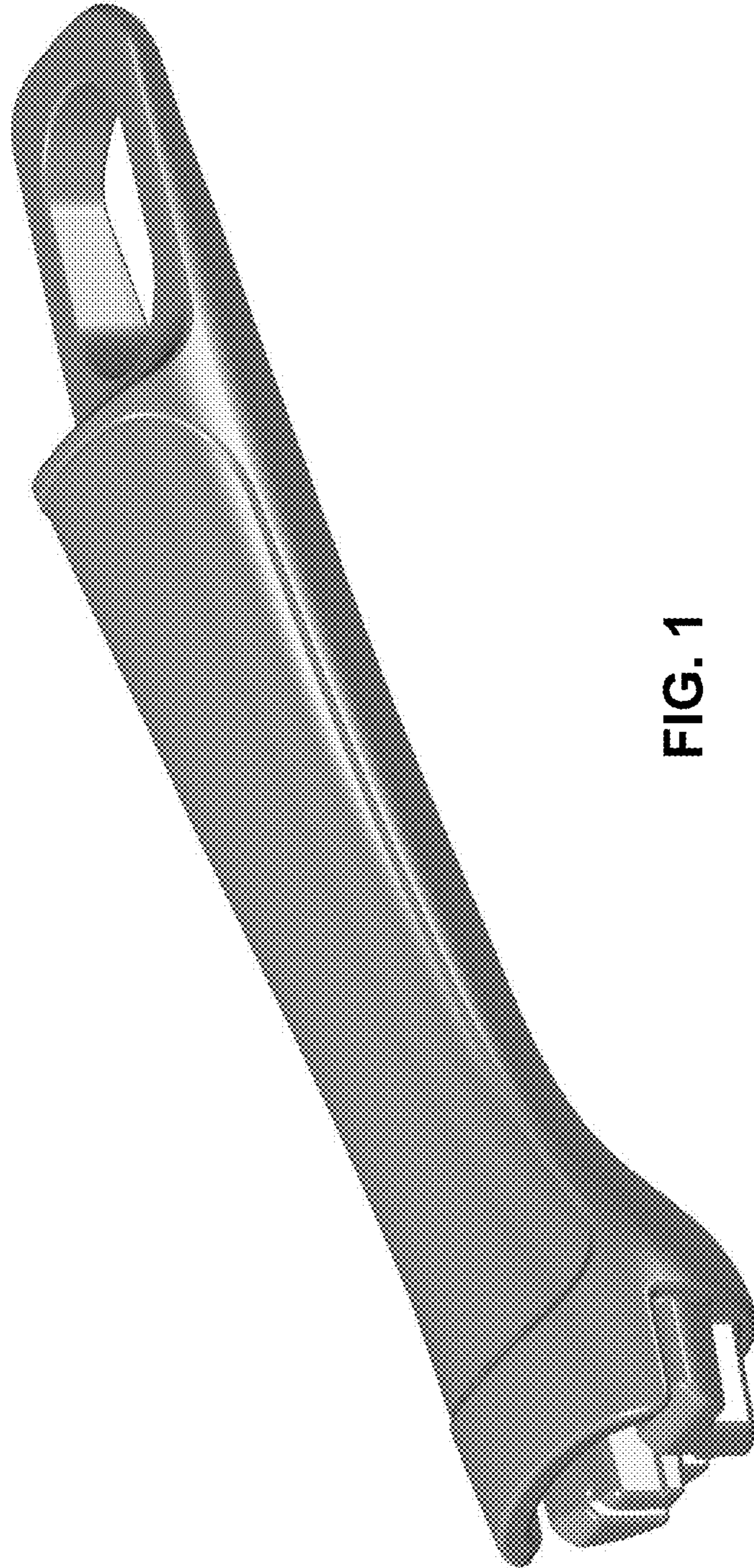


FIG. 1

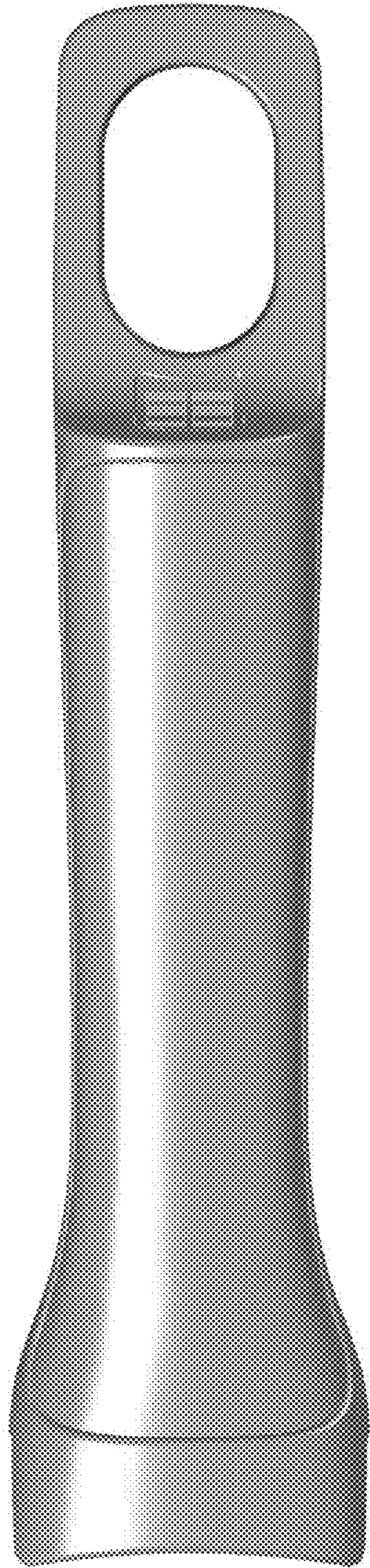


FIG. 2

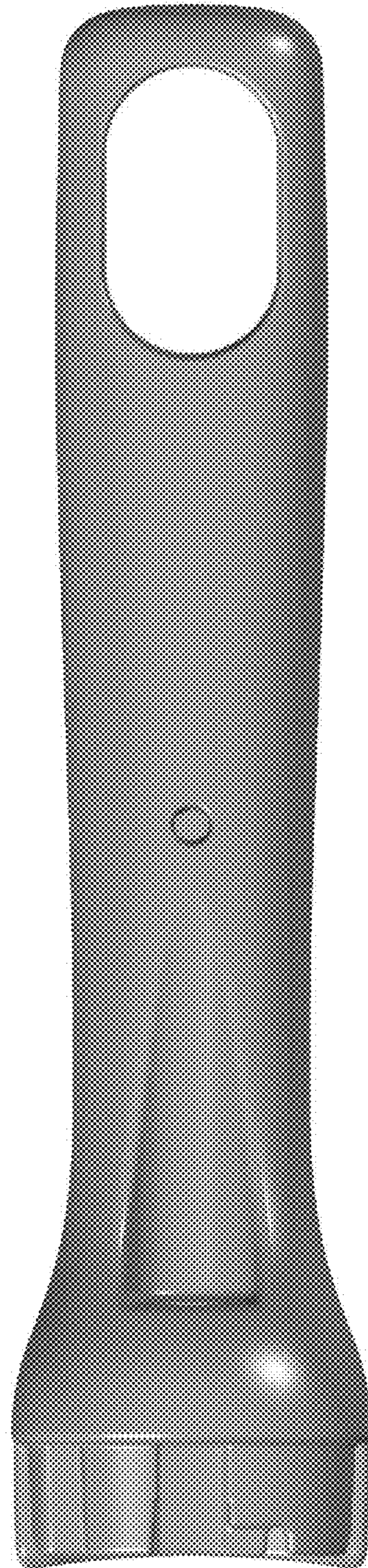


FIG. 3

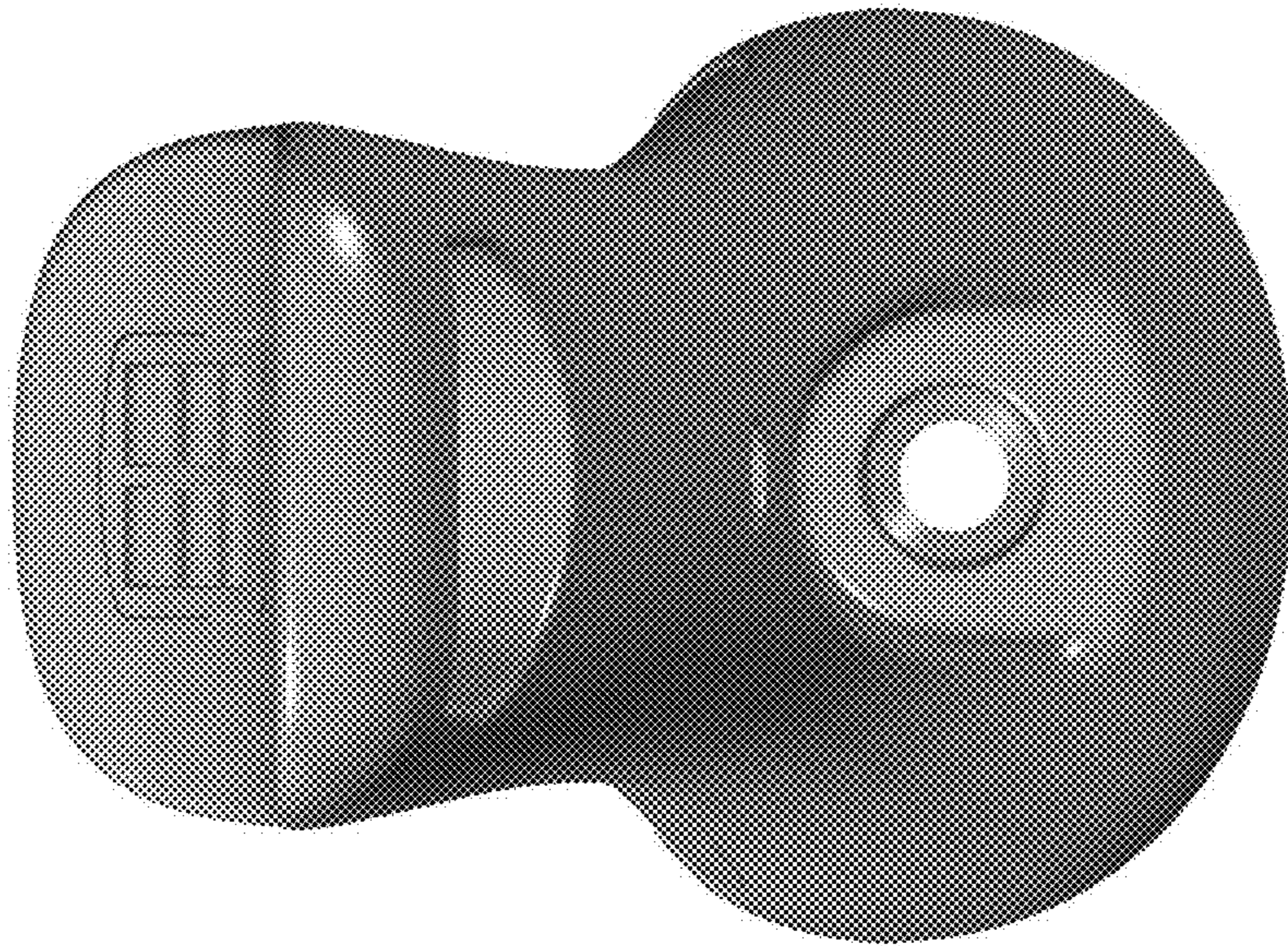


FIG. 4

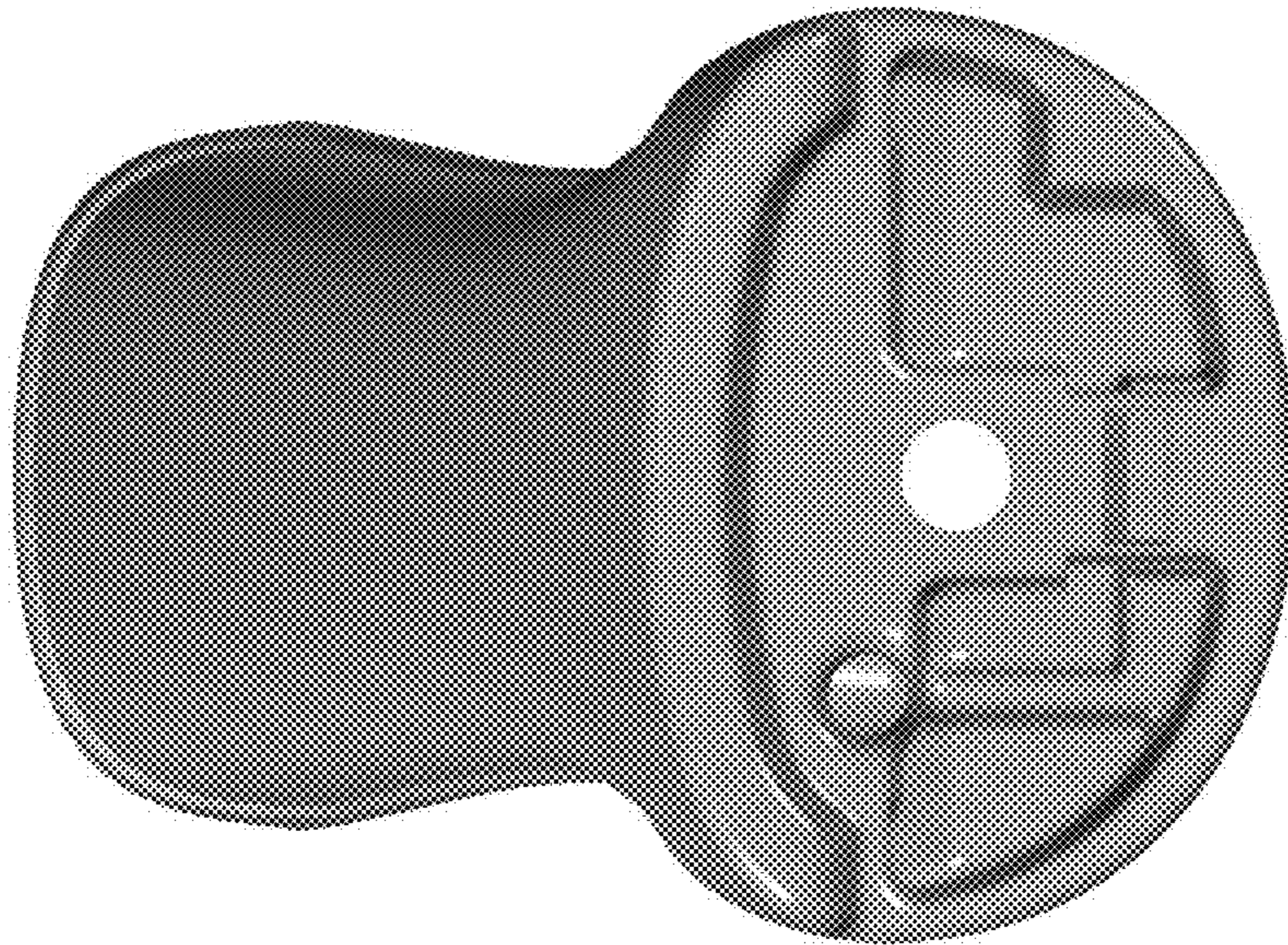


FIG. 5

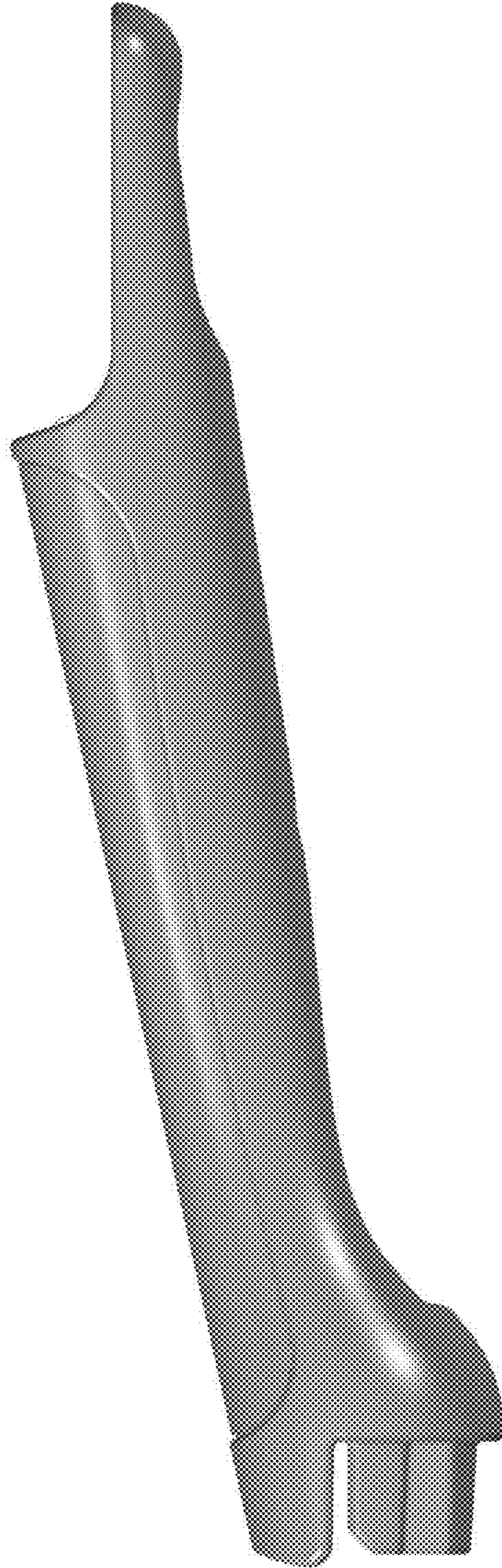


FIG. 6

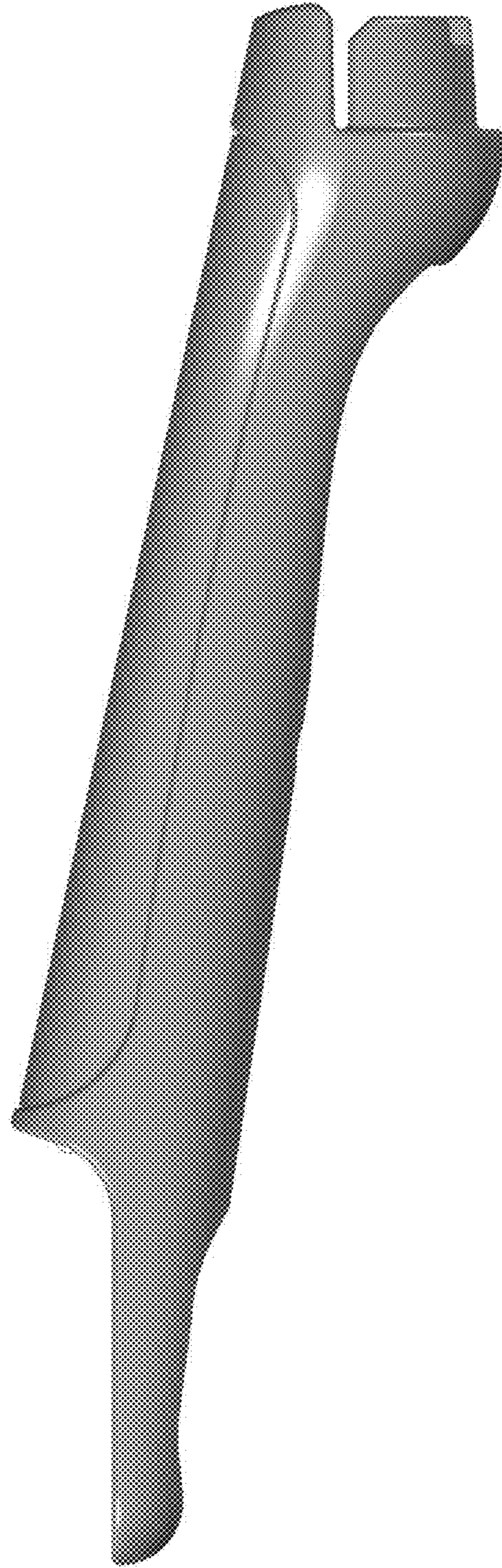


FIG. 7